



US00D799663S

(12) **United States Design Patent** (10) **Patent No.:** **US D799,663 S**  
**Wang** (45) **Date of Patent:** **\*\* Oct. 10, 2017**

(54) **CEILING FAN** 6,884,035 B2 \* 4/2005 Young ..... F04D 29/34  
 29/889.21  
 (71) Applicant: **AIR COOL INDUSTRIAL CO., LTD.**, Taichung (TW) D512,497 S \* 12/2005 Young ..... D23/377  
 D523,545 S \* 6/2006 Young ..... D23/377  
 D529,163 S \* 9/2006 Young ..... D23/377  
 D782,644 S \* 3/2017 Wang ..... D23/377

(72) Inventor: **Cliff Wang**, Taichung (TW)  
 (73) Assignee: **AIR COOL INDUSTRIAL CO., LTD.**, Taichung (TW)

(\*\*) Term: **15 Years**

(21) Appl. No.: **29/574,280**

(22) Filed: **Aug. 12, 2016**

(51) **LOC (10) Cl.** ..... **23-04**

(52) **U.S. Cl.**  
 USPC ..... **D23/377; D23/385**

(58) **Field of Classification Search**  
 USPC ..... D23/370, 371, 373, 377-379, 381, 382,  
 D23/385-388, 411, 412; D26/59  
 CPC .... F04D 25/088; F04D 29/005; F04D 29/601;  
 F04D 29/324; F21V 33/0096; F21V  
 33/0092; F24F 13/078  
 See application file for complete search history.

(56) **References Cited**

**U.S. PATENT DOCUMENTS**

D417,494 S \* 12/1999 Evans ..... D23/377  
 6,719,532 B2 \* 4/2004 Bird ..... F04D 25/088  
 416/210 R

\* cited by examiner

*Primary Examiner* — Janice Hallmark

(74) *Attorney, Agent, or Firm* — Pai Patent & Trademark  
 Law Firm; Chao-Chang David Pai

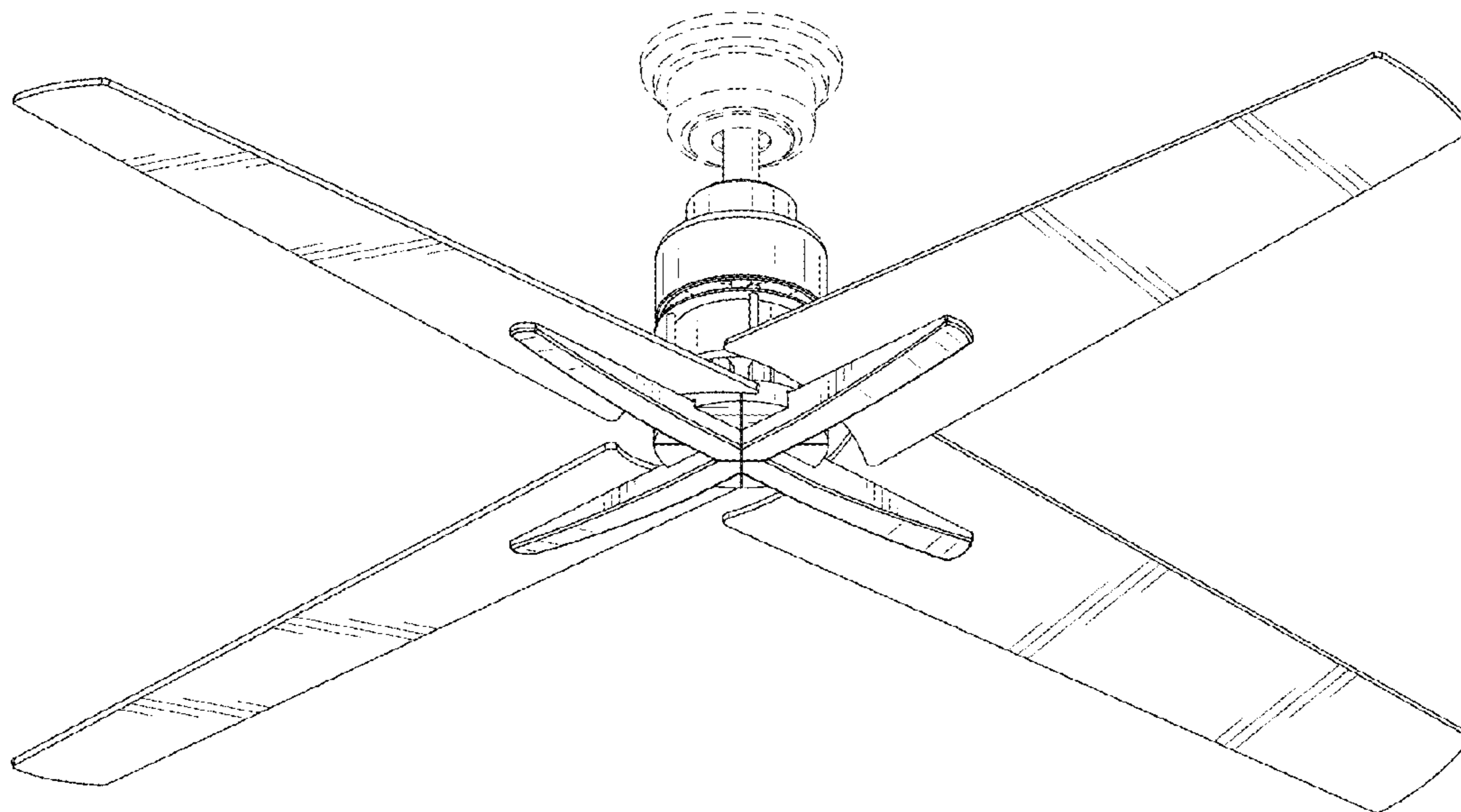
(57) **CLAIM**

The ornamental design for a ceiling fan, as shown and described.

**DESCRIPTION**

FIG. 1 is a front top perspective view of a ceiling fan showing my new design;  
 FIG. 2 is a front elevational view thereof;  
 FIG. 3 is a rear elevational view thereof;  
 FIG. 4 is a left side elevational view thereof;  
 FIG. 5 is a right side elevational view thereof;  
 FIG. 6 is a top plan view thereof;  
 FIG. 7 is a bottom plan view thereof; and,  
 FIG. 8 is a front bottom perspective view thereof.  
 The broken lines are for the purpose of illustrating environmental structure and form no part of the claimed design.

**1 Claim, 6 Drawing Sheets**



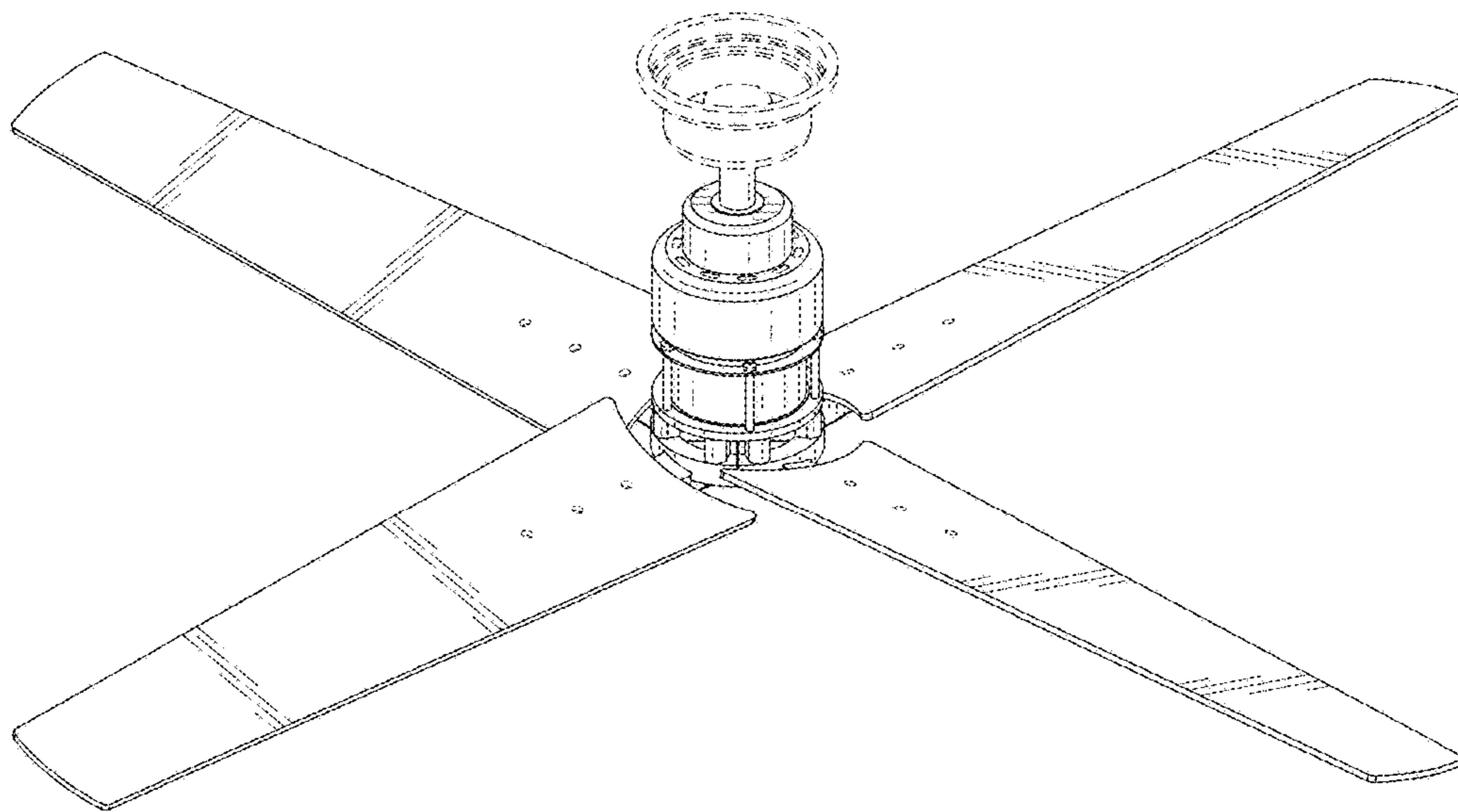


FIG. 1

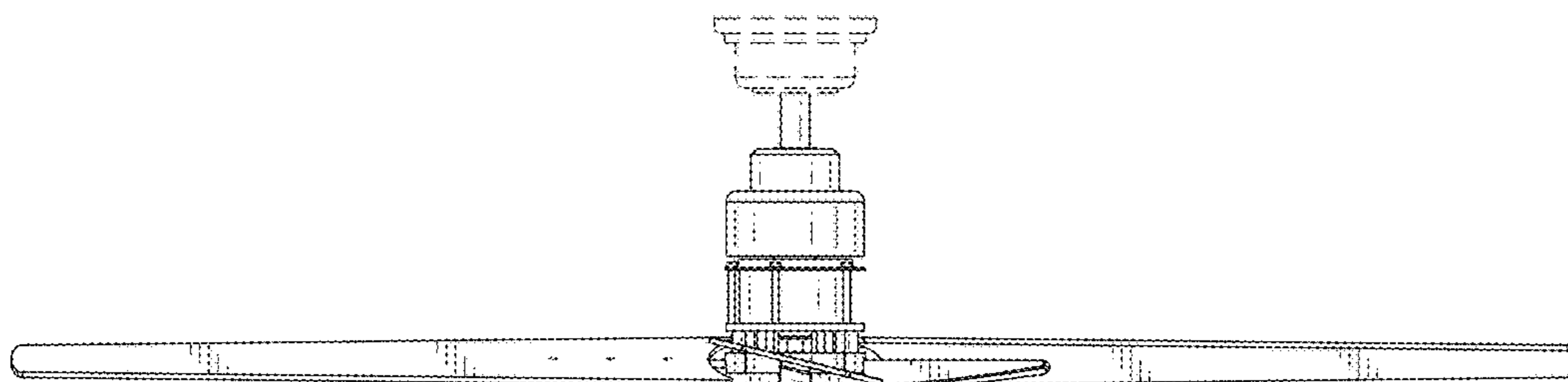


FIG. 2

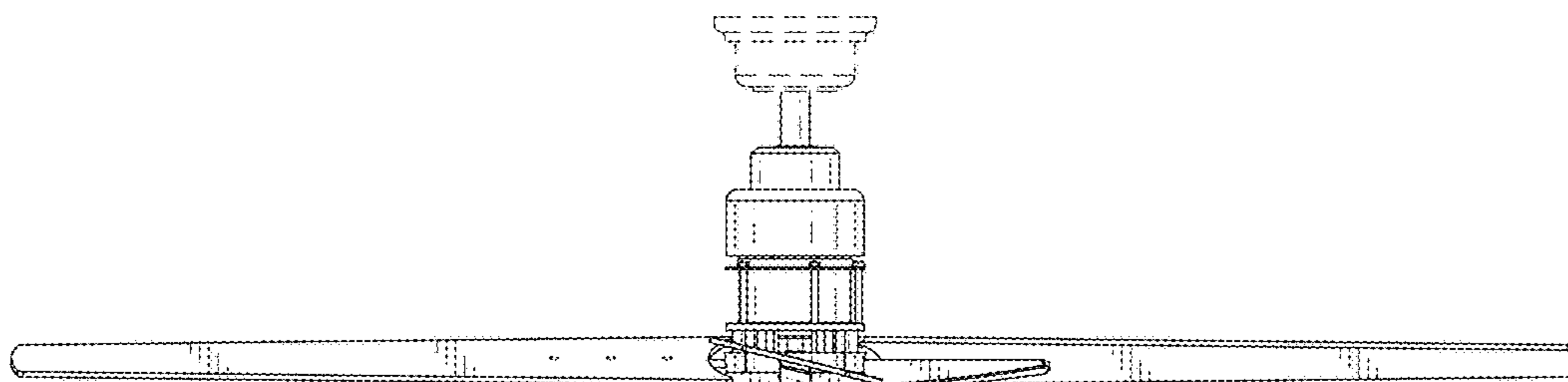


FIG. 3

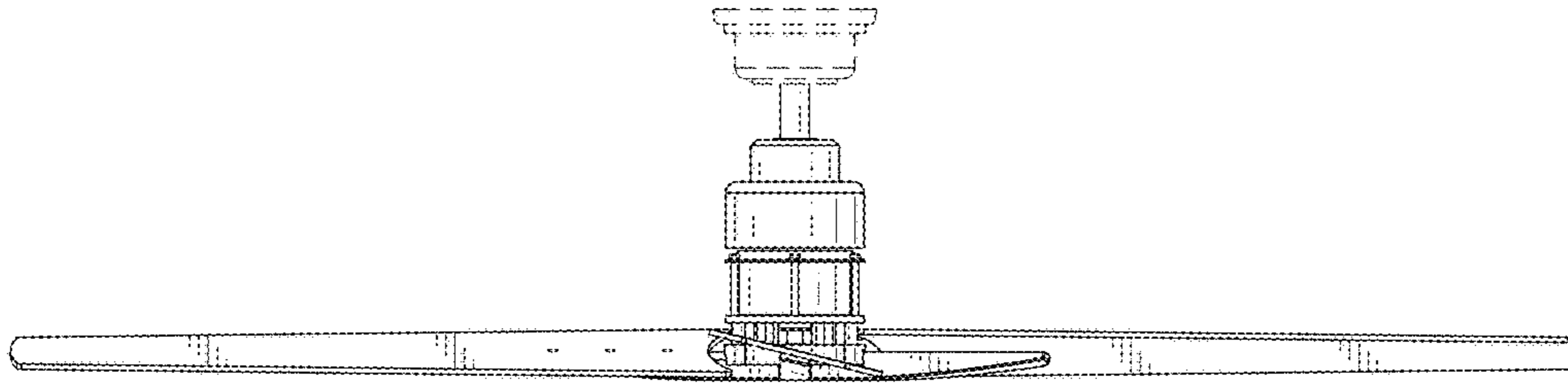


FIG. 4

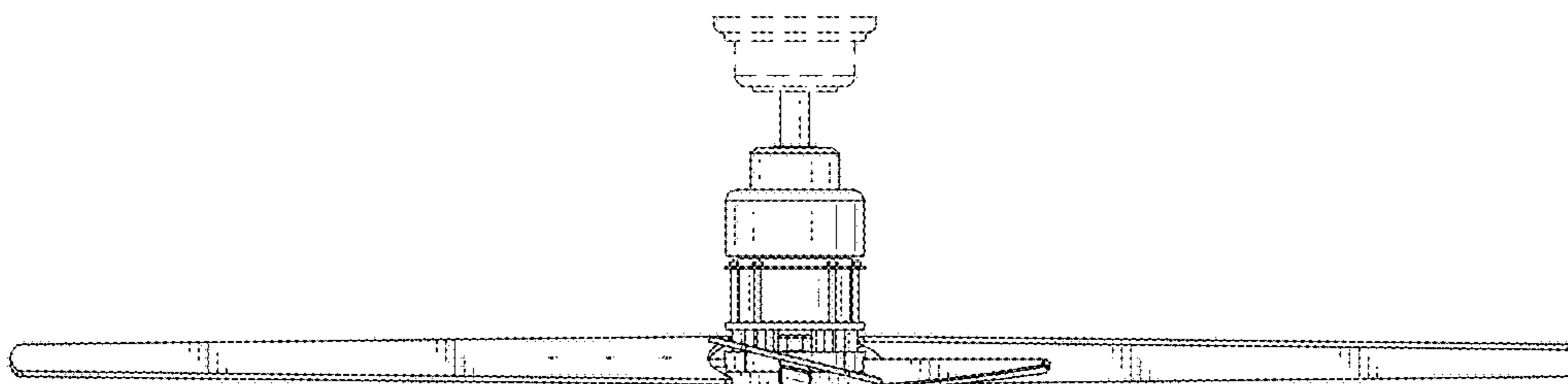


FIG. 5

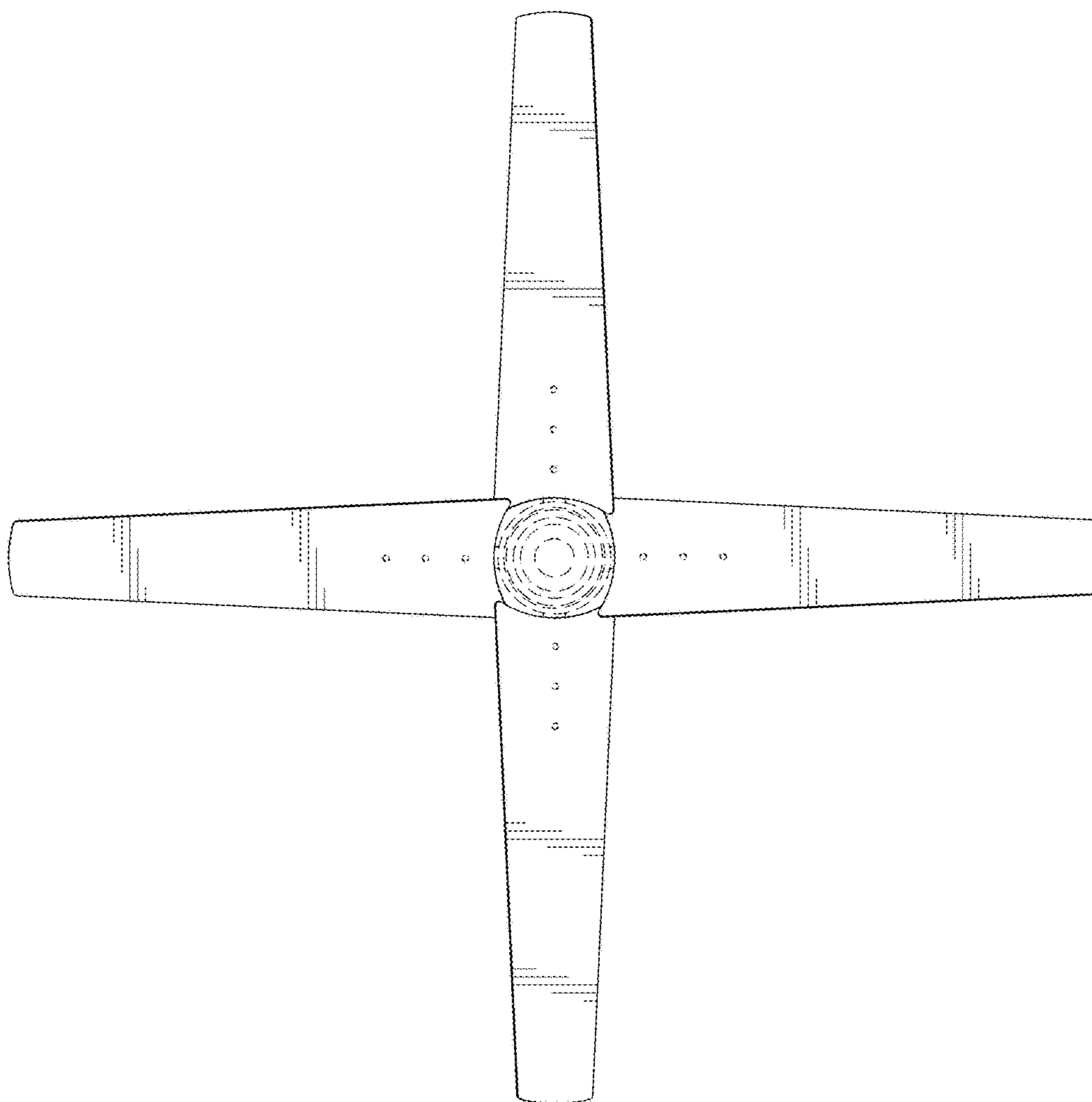


FIG. 6

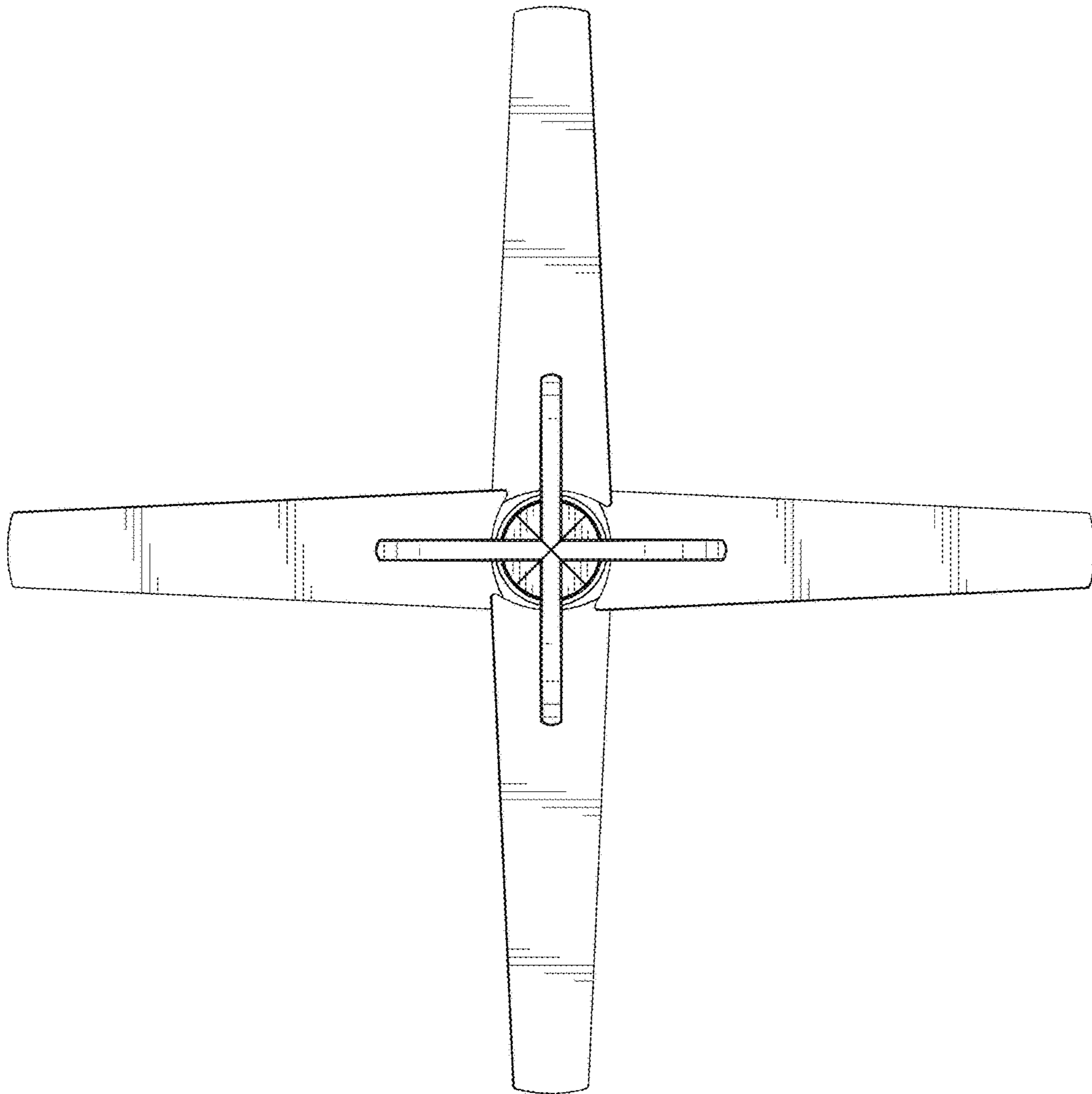


FIG. 7

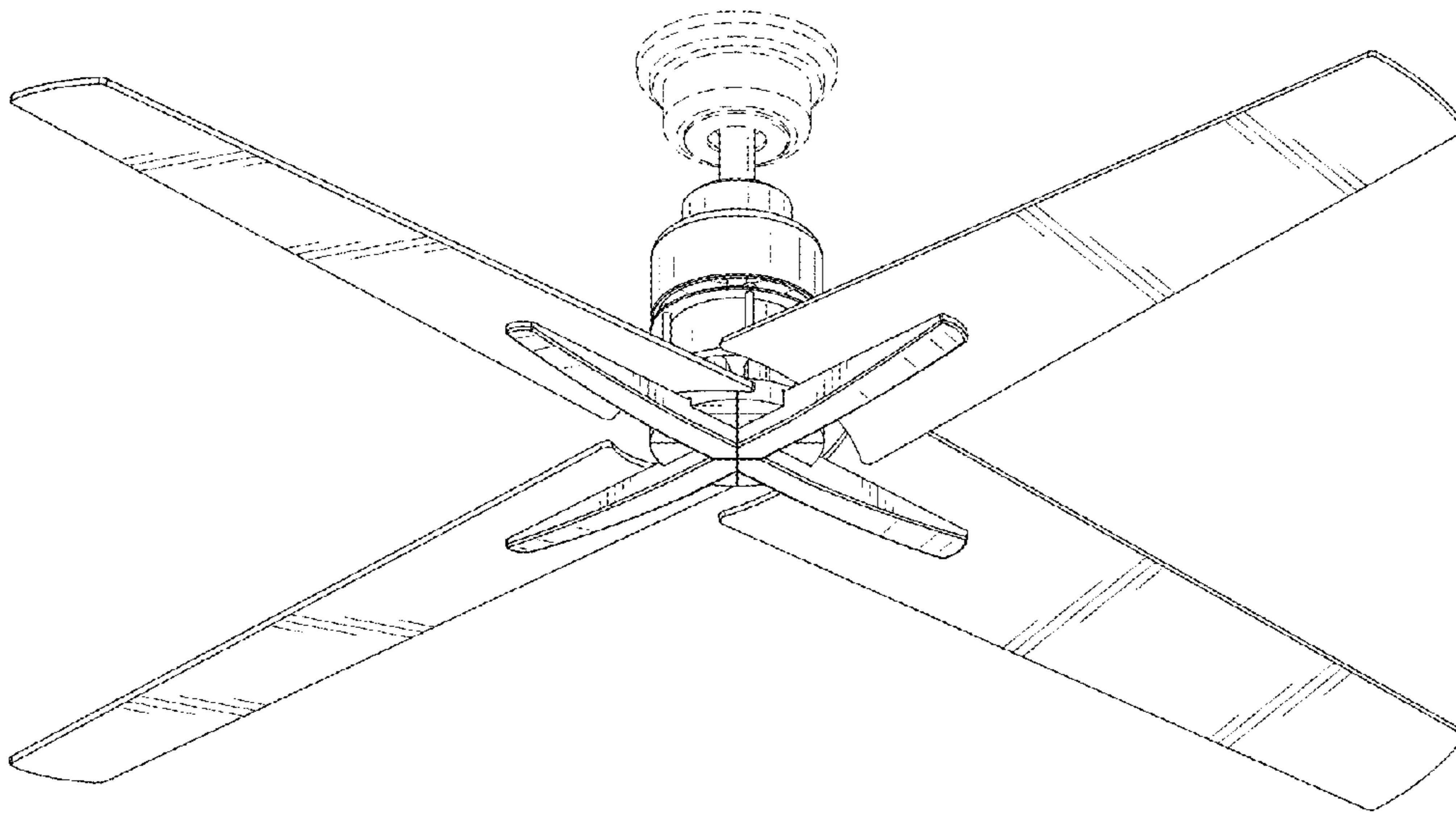


FIG. 8