



US00D799662S

(12) **United States Design Patent** (10) **Patent No.:** **US D799,662 S**  
**McRoberts** (45) **Date of Patent:** **\*\* Oct. 10, 2017**

(54) **CEILING FAN**  
(71) Applicant: **HUNTER FAN COMPANY**,  
Memphis, TN (US)  
(72) Inventor: **Claire Bernice McRoberts**, Memphis,  
TN (US)  
(73) Assignee: **Hunter Fan Company**, Memphis, TN  
(US)

D518,888 S \* 4/2006 Young ..... D23/411  
D519,200 S \* 4/2006 Young ..... D23/377  
D524,439 S 7/2006 Tai  
D525,694 S 7/2006 Young  
D537,932 S \* 3/2007 Young ..... D23/377  
D539,894 S \* 4/2007 Bucher ..... D23/377  
D541,403 S 4/2007 Flores  
D549,813 S \* 8/2007 Gajewski ..... D23/377  
D555,779 S \* 11/2007 Bucher ..... D23/377  
D556,939 S 12/2007 Gajewski  
D708,314 S \* 7/2014 Pan ..... D23/377

(\*\*) Term: **15 Years**

(21) Appl. No.: **29/566,484**

(22) Filed: **May 31, 2016**

(51) **LOC (10) Cl.** ..... **23-04**

(52) **U.S. Cl.**  
USPC ..... **D23/377**

(58) **Field of Classification Search**  
USPC ..... D23/370, 371, 373, 377-379, 381, 382,  
D23/385-388, 411, 412; D26/59  
CPC .... F04D 25/088; F04D 29/005; F04D 29/601;  
F04D 29/324; F21V 33/0096; F21V  
33/0092; F24F 13/078  
See application file for complete search history.

(56) **References Cited**

**U.S. PATENT DOCUMENTS**

D414,857 S \* 10/1999 Zuege ..... D23/377  
D420,120 S 2/2000 Evans  
D428,982 S \* 8/2000 Oldenburg ..... D23/377  
D430,930 S \* 9/2000 Zuege ..... D23/377  
D449,396 S \* 10/2001 Campbell ..... D26/59  
D464,722 S \* 10/2002 Sonneman ..... D23/377  
D476,406 S \* 6/2003 Friedes ..... D23/377  
D476,411 S \* 6/2003 Friedes ..... D23/411  
D483,850 S \* 12/2003 Tai ..... D23/377  
D487,801 S \* 3/2004 Hsieh ..... D23/377  
6,719,532 B2 \* 4/2004 Bird ..... F04D 25/088  
416/21 OR

**OTHER PUBLICATIONS**

<http://ceilingfans.emerson.com/shop/en/fan/fans-s-emerson-fans/emerson-fans-browse-all/cornerstone-fan-cf1orb>, Cornerstone, CF1ORB, accessed May 31, 2016.

(Continued)

*Primary Examiner* — Janice Hallmark  
(74) *Attorney, Agent, or Firm* — McGarry Bair PC

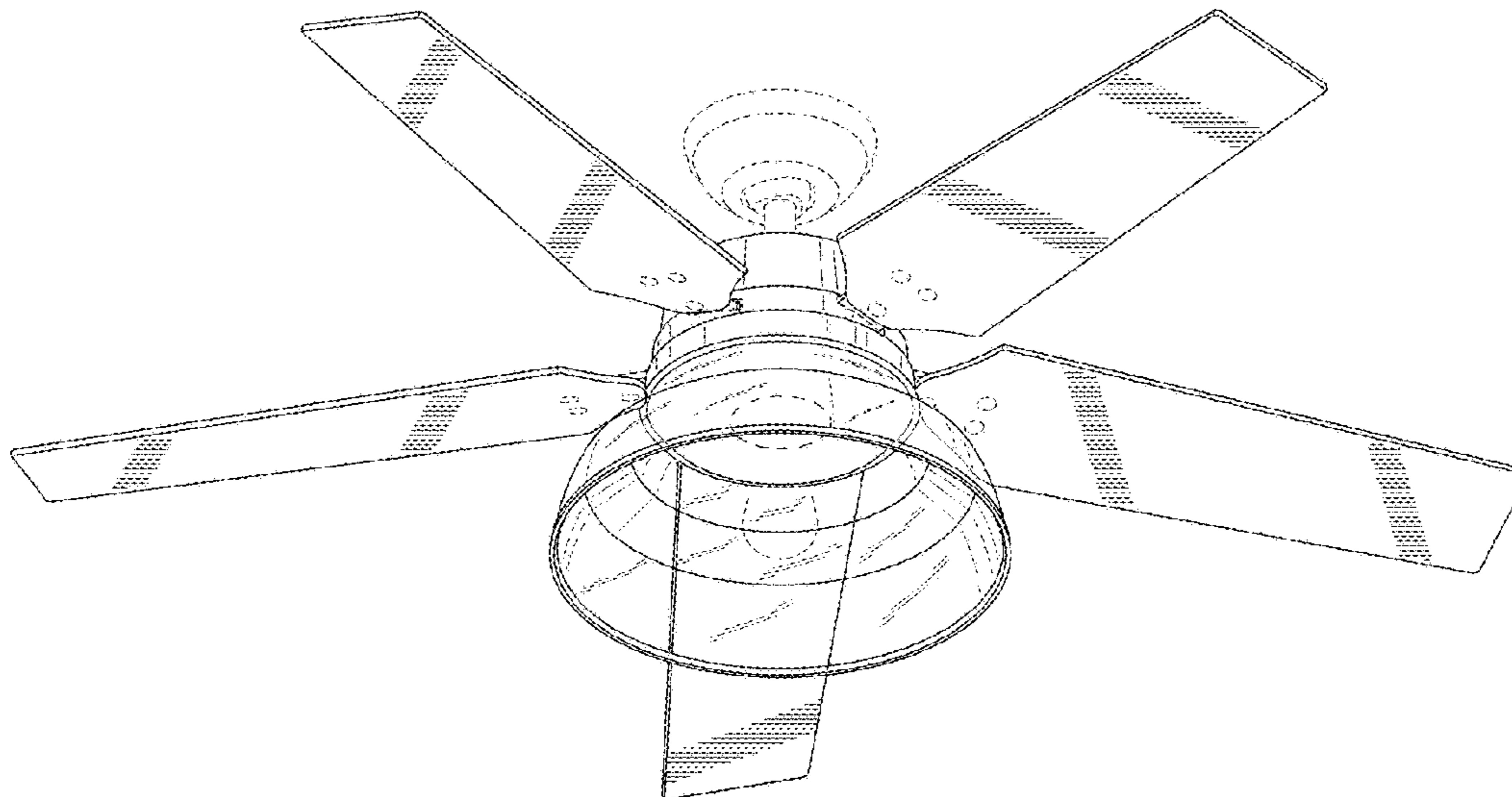
(57) **CLAIM**

The ornamental design for a ceiling fan, as shown and described.

**DESCRIPTION**

FIG. 1 is a top perspective view of a ceiling fan;  
FIG. 2 is a bottom perspective view of the ceiling fan of FIG. 1;  
FIG. 3 is a top view of the ceiling fan of FIG. 1;  
FIG. 4 is a bottom view of the ceiling fan of FIG. 1;  
FIG. 5 is a front side view of the ceiling fan of FIG. 1;  
FIG. 6 is a rear side view of the ceiling fan of FIG. 1;  
FIG. 7 is a left side view of the ceiling fan of FIG. 1; and,  
FIG. 8 is a right side view of the ceiling fan of FIG. 1.  
Portions of the ceiling fan shown in broken lines form no part of the claimed design.

**1 Claim, 6 Drawing Sheets**



(56)

**References Cited**

OTHER PUBLICATIONS

<http://www.modernfan.com/products/gusto.html>, Gusto with light, accessed May 31, 2016.

<http://www.menards.com/main/p-1444433644206-c-7487.htm?tid=-5477460810298133349>, Hunter Landsdowne 52" Cheyenne Bronze Damp-Rated Ceiling Fan, 59172, accessed accessed May 31, 2016.

<http://catalogs.craftmadebrands.com/CRF/craftmade-2016/#p=162>, Port Arbor, 2 pages, accessed accessed May 31, 2016.

<http://www.homedepot.com/p/Hampton-Bay-Marlton-52-in-In-door-Liquid-Nickel-Ceiling-Fan-YG305-LN/202529593>, Hampton Bay Marlton, accessed accessed May 31, 2016.

\* cited by examiner

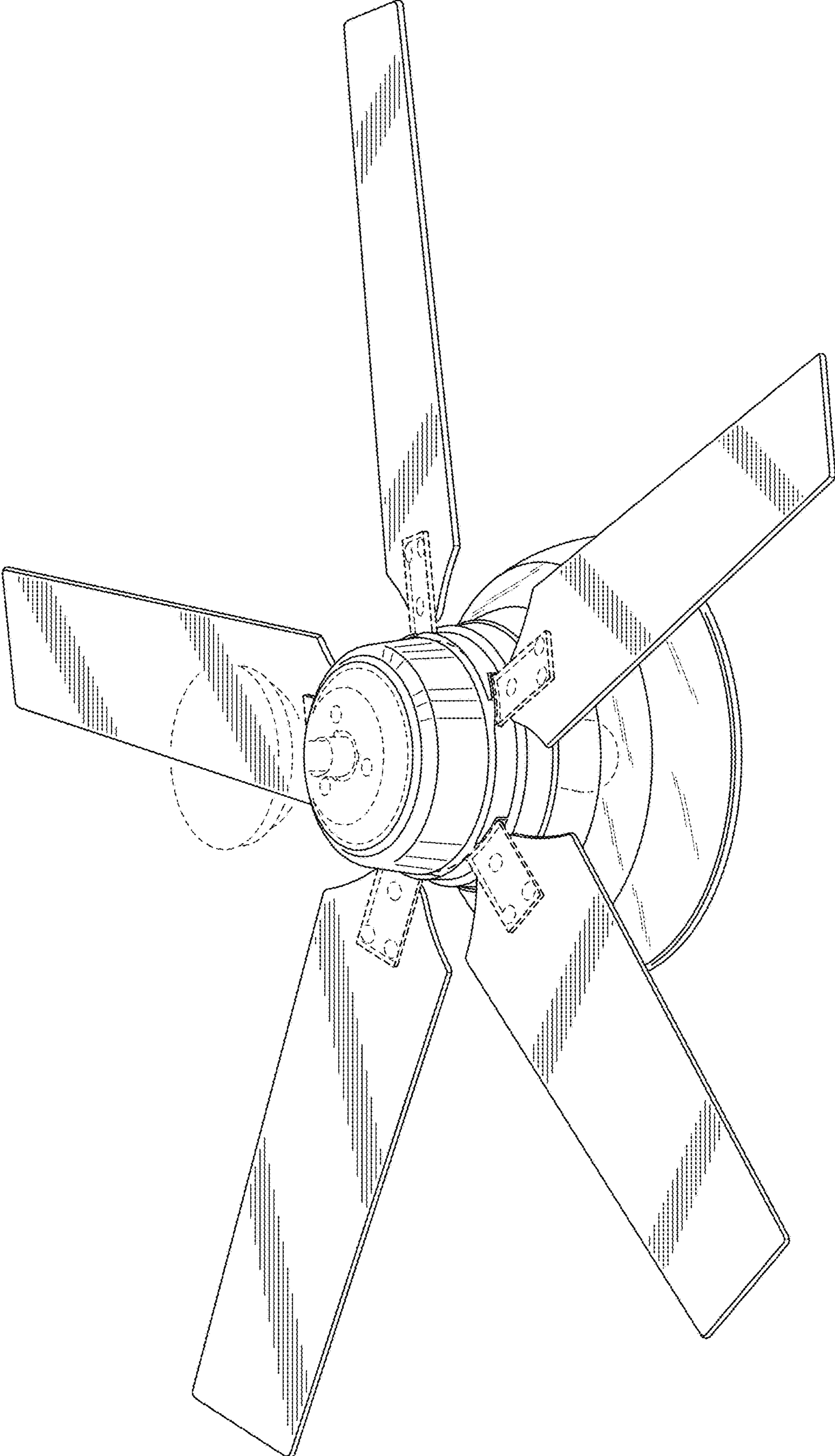


FIG.1



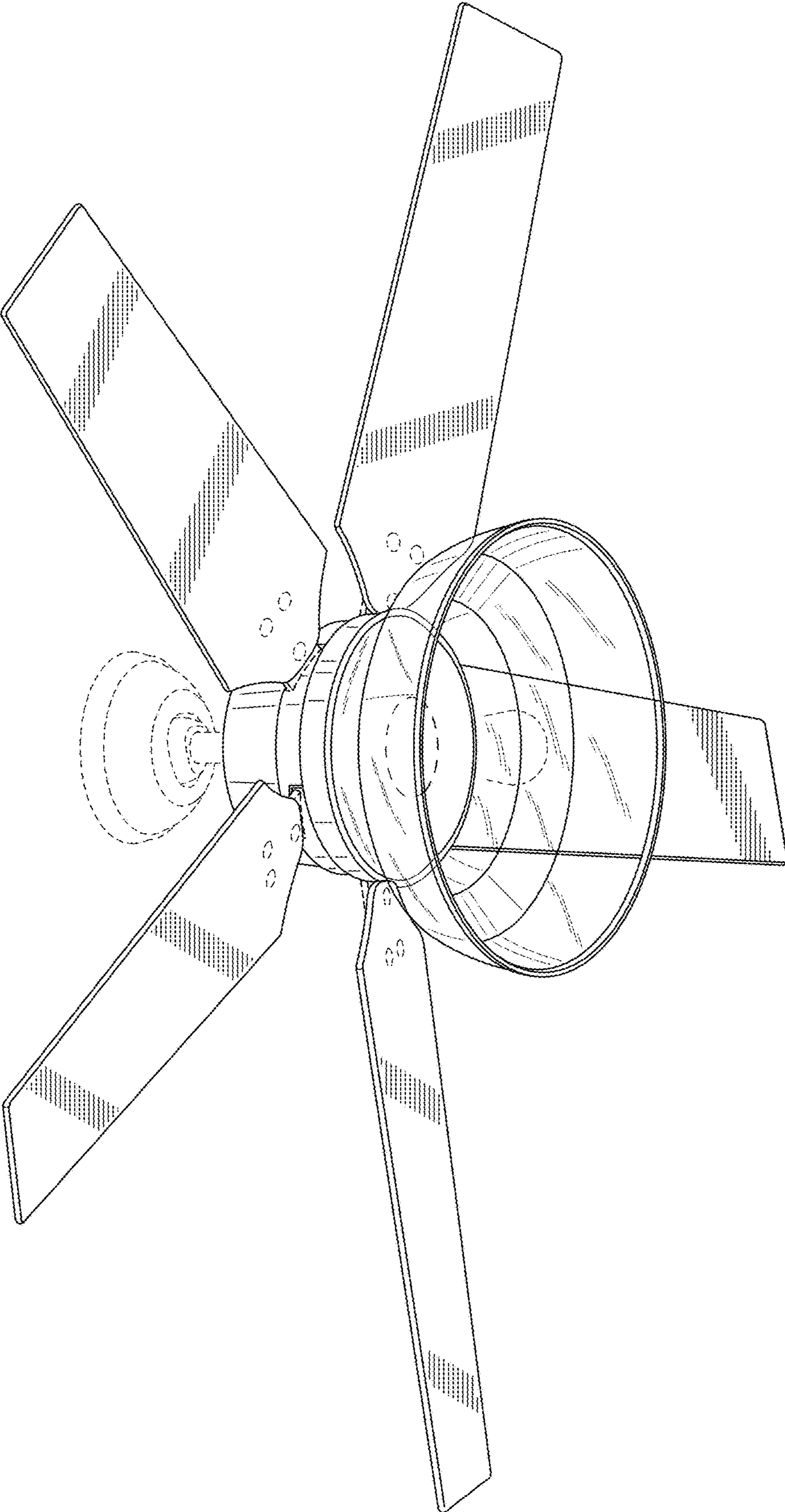


FIG.2

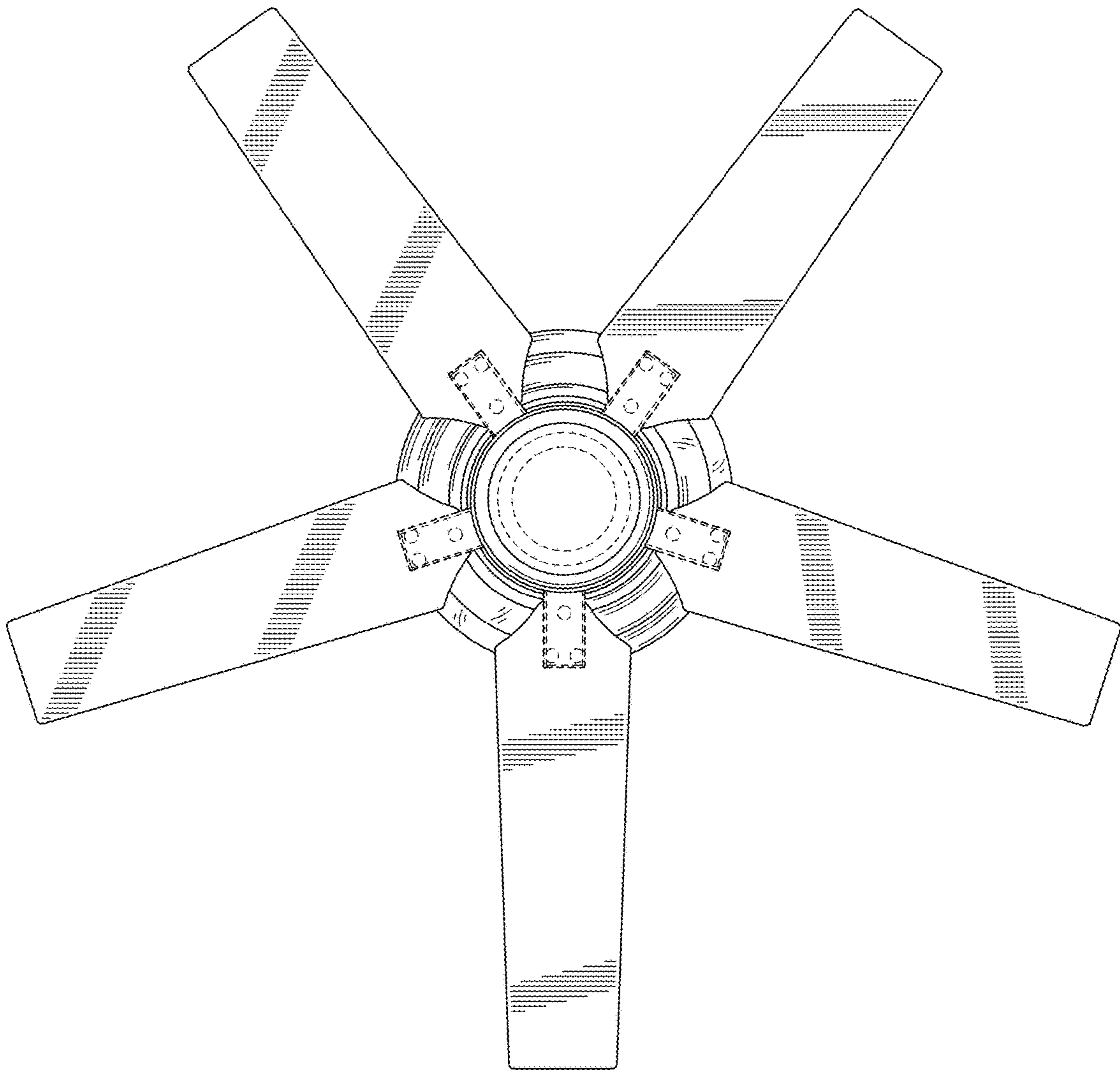


FIG.3

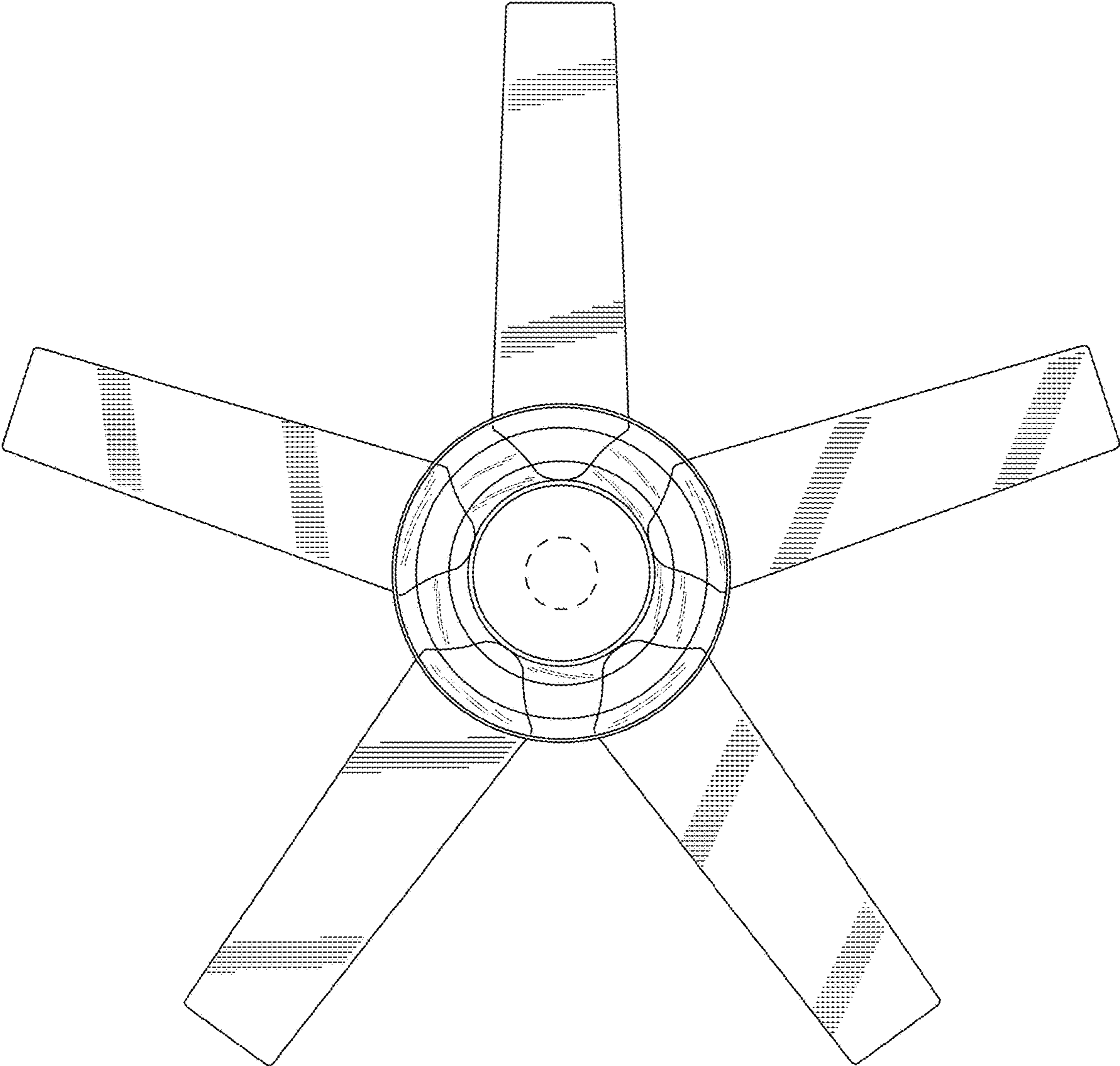


FIG. 4

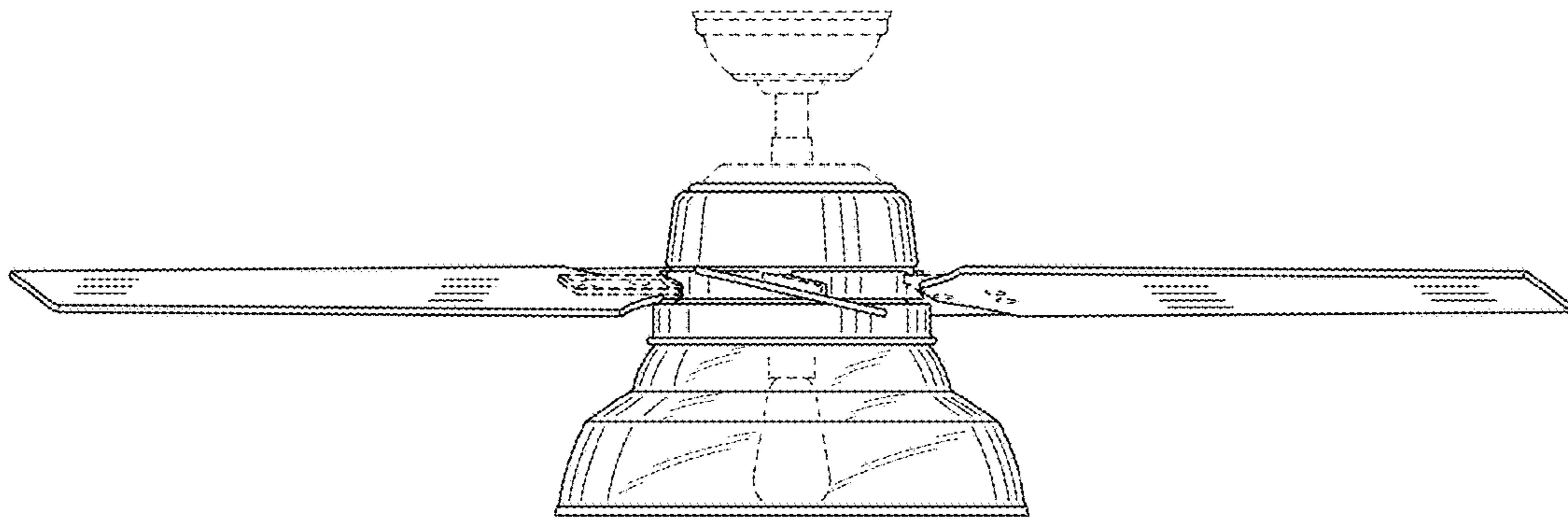


FIG. 5

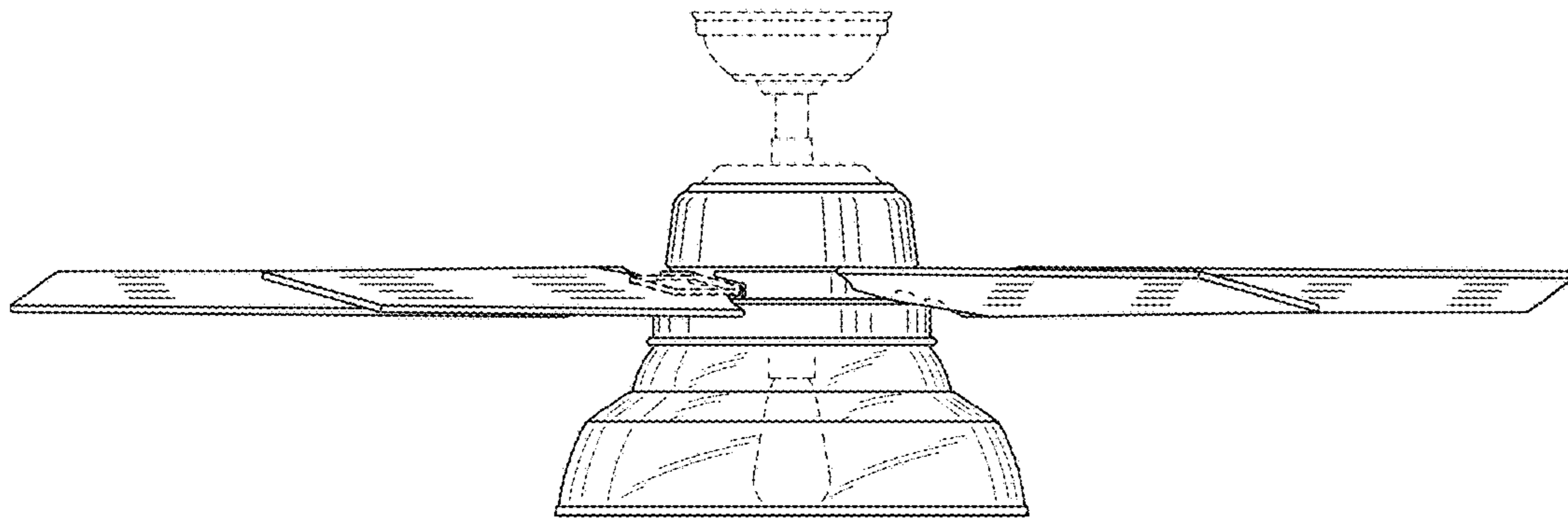


FIG. 6

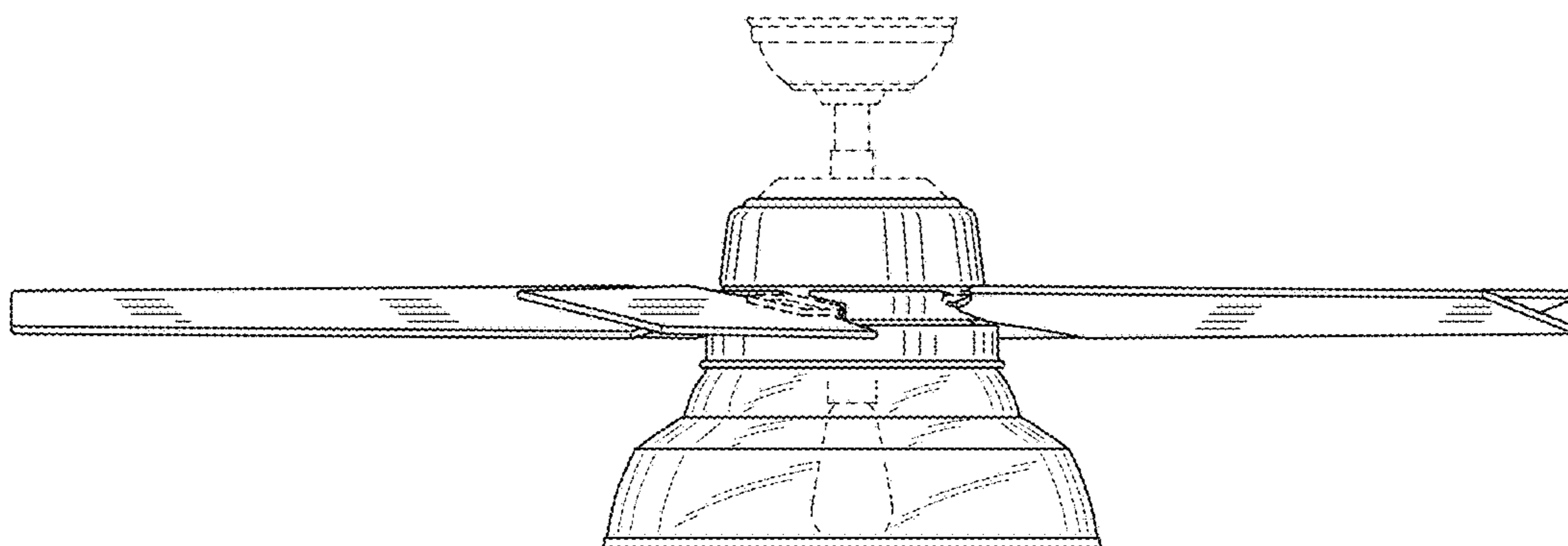


FIG. 7

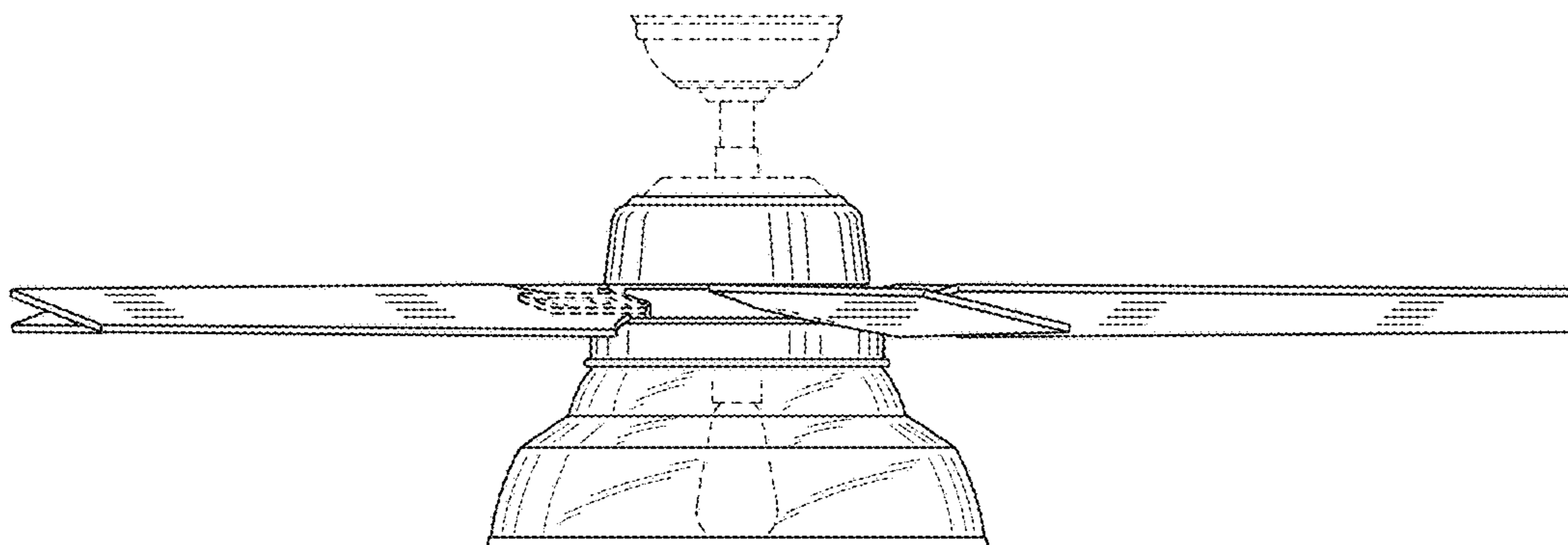


FIG. 8