



US00D799658S

(12) **United States Design Patent**
Seo

(10) **Patent No.:** **US D799,658 S**

(45) **Date of Patent:** **** Oct. 10, 2017**

(54) **FAN FOR HUMIDIFIER**

(71) Applicant: **Dong Jin Seo**, Seoul (KR)

(72) Inventor: **Dong Jin Seo**, Seoul (KR)

(73) Assignee: **INTELLECTUAL DISCOVERY CO., LTD.**, Seoul (KR)

(**) Term: **15 Years**

(21) Appl. No.: **29/547,939**

(22) Filed: **Dec. 9, 2015**

(30) **Foreign Application Priority Data**

Dec. 7, 2015 (KR) 30-2015-0062206

(51) **LOC (10) Cl.** **23-04**

(52) **U.S. Cl.**
USPC **D23/370; D23/379**

(58) **Field of Classification Search**
USPC D23/370, 371, 377-379, 381, 382,
D23/385-388, 411, 412, 356, 358, 359,
D23/363; D26/59

CPC F04D 25/088; F04D 29/005; F04D 29/601;
F04D 29/324; F21V 33/0096; F21V
33/0092; F24F 13/078

See application file for complete search history.

(56) **References Cited**

U.S. PATENT DOCUMENTS

5,730,583 A * 3/1998 Alizadeh F04D 19/002
416/169 A
D458,361 S * 6/2002 Melwani D23/379

D459,460 S * 6/2002 Melwani D23/370
D485,895 S * 1/2004 Melwani D23/370
D489,441 S * 5/2004 Wagner D23/370
D509,580 S * 9/2005 Lin D23/370
D513,434 S * 1/2006 Melwani D23/379
D609,797 S * 2/2010 Leung D23/370
D665,896 S * 8/2012 Yen D23/379
D683,440 S * 5/2013 Chen D23/370
D768,838 S * 10/2016 Ritch D23/324

* cited by examiner

Primary Examiner — Janice Hallmark

(74) *Attorney, Agent, or Firm* — Novick, Kim & Lee,
PLLC; Sang Ho Lee

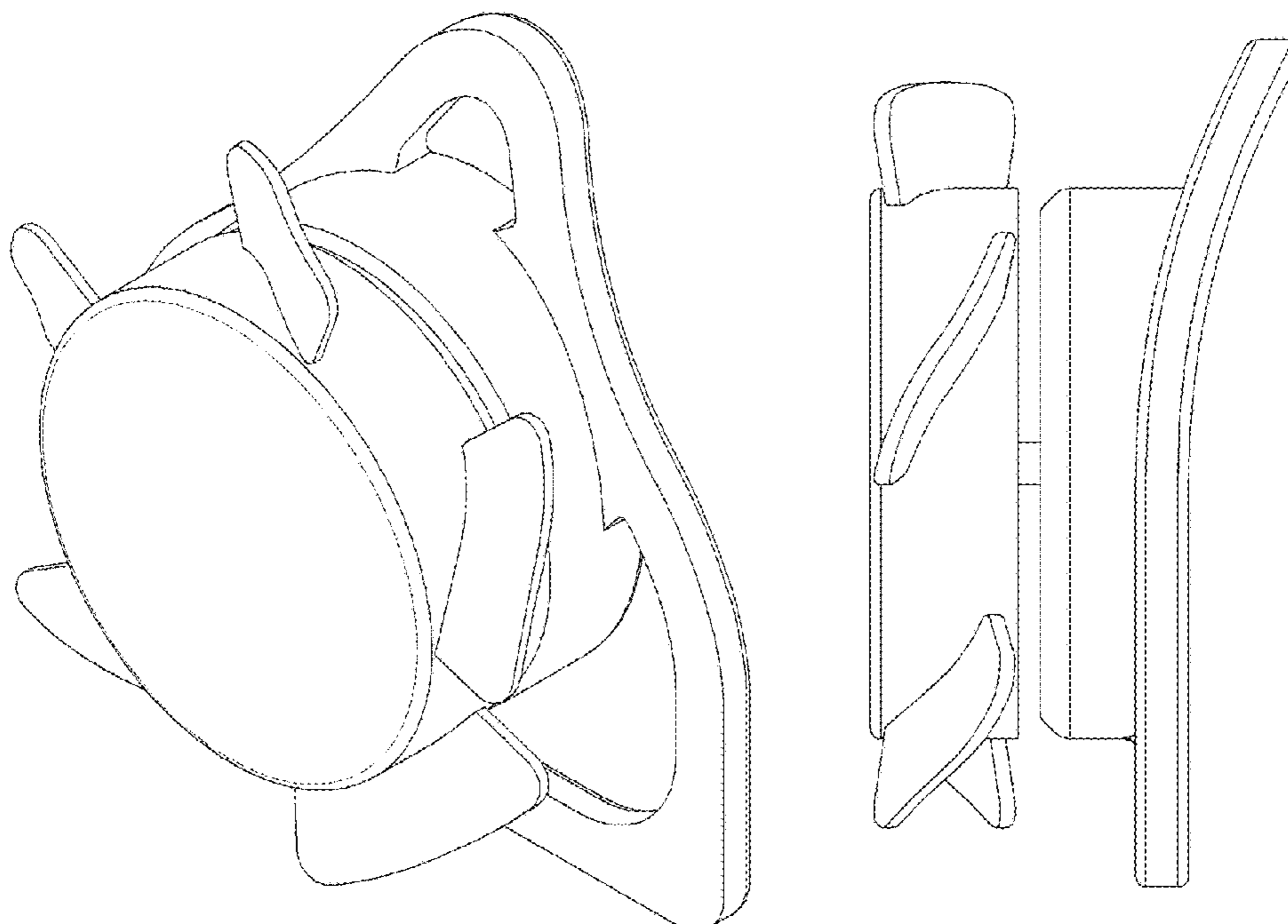
(57) **CLAIM**

The ornamental design for a fan for humidifier, as shown and described.

DESCRIPTION

FIG. 1 is a front perspective view of a fan for humidifier according to my new design;
FIG. 2 is a front elevational view thereof;
FIG. 3 is a rear elevational view thereof;
FIG. 4 is a left side elevational view thereof;
FIG. 5 is a right side elevational view thereof;
FIG. 6 is a top plan view thereof; and,
FIG. 7 is a bottom plan view thereof.

1 Claim, 6 Drawing Sheets



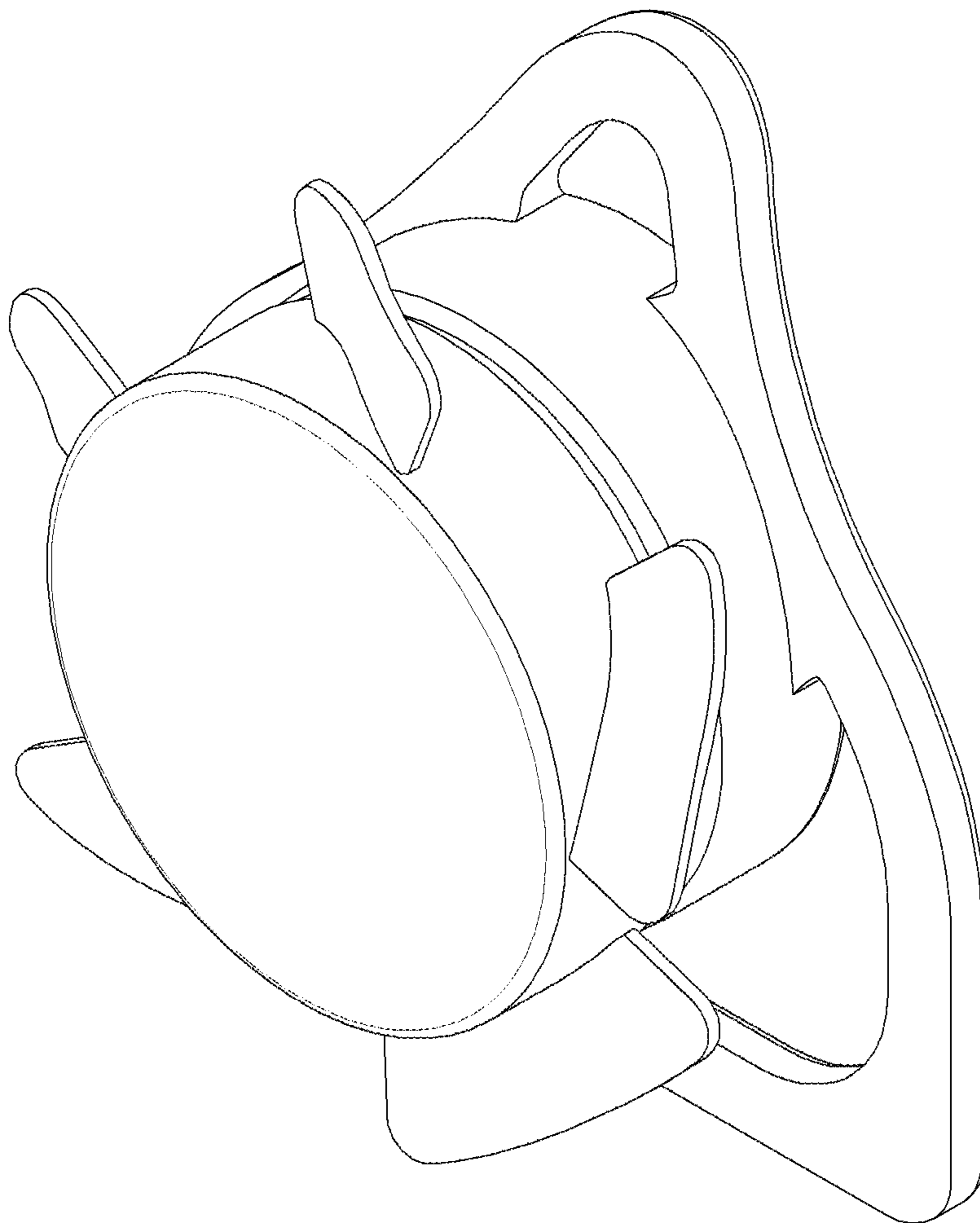


FIG. 1

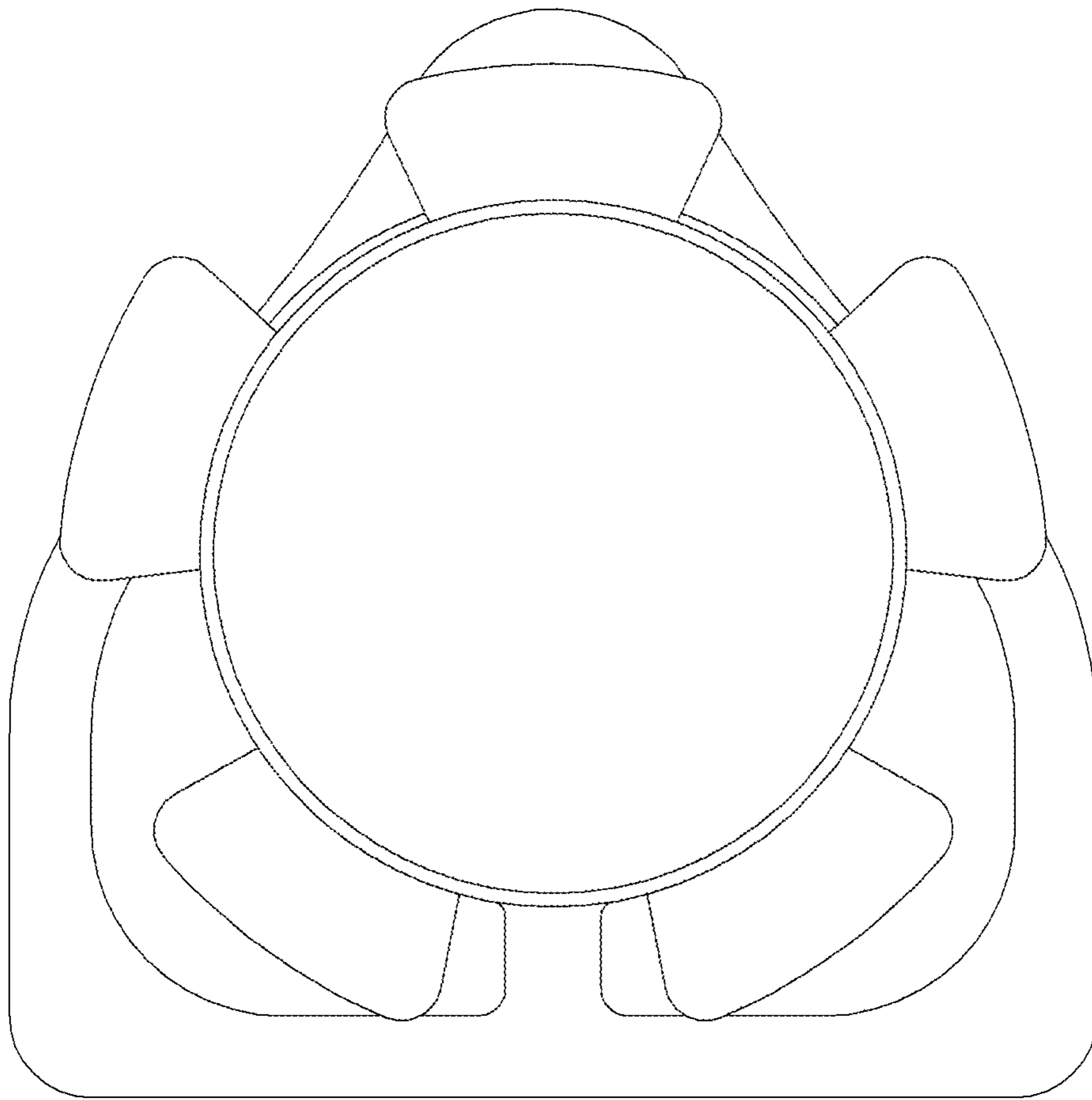


FIG. 2

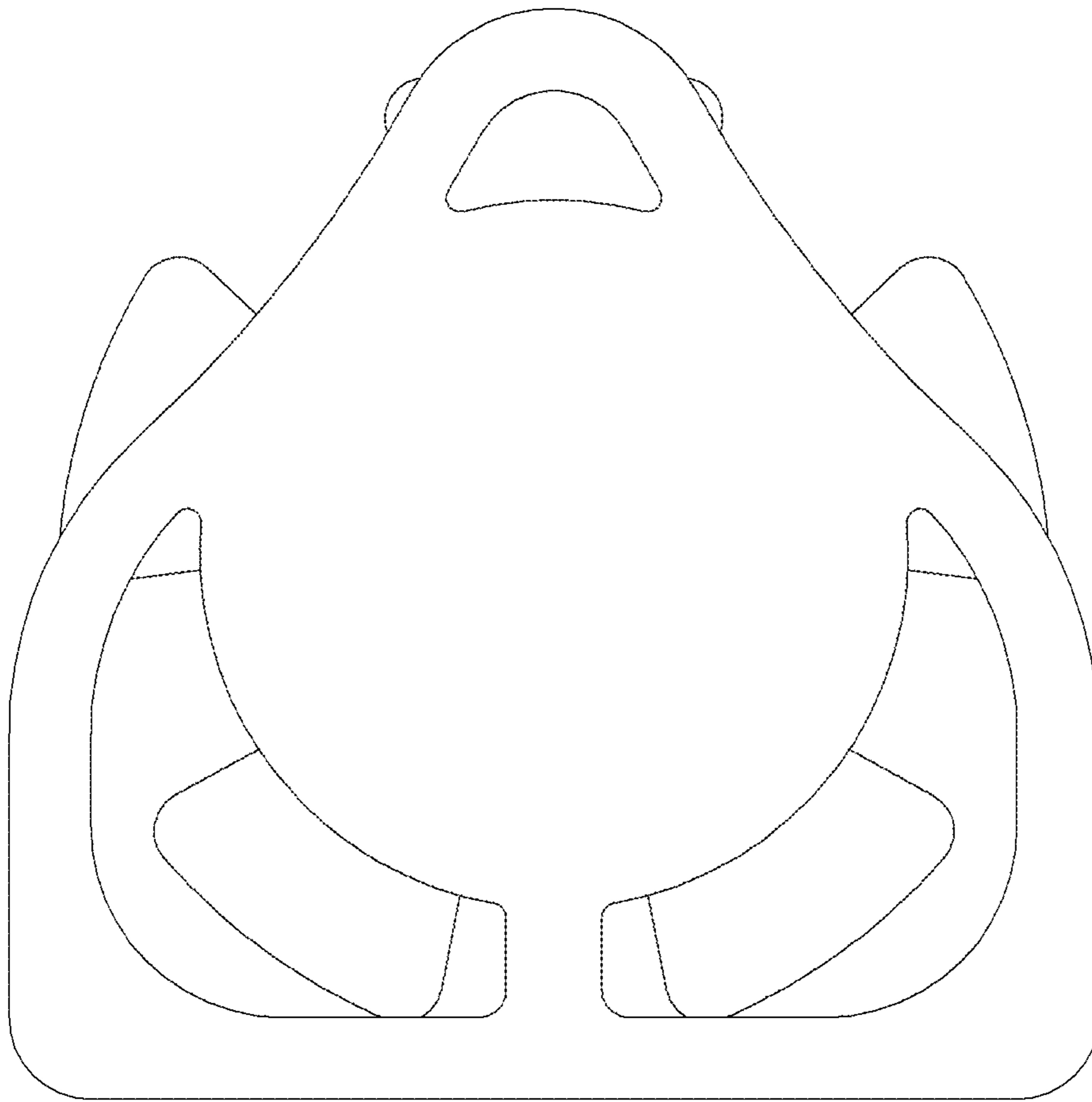


FIG. 3

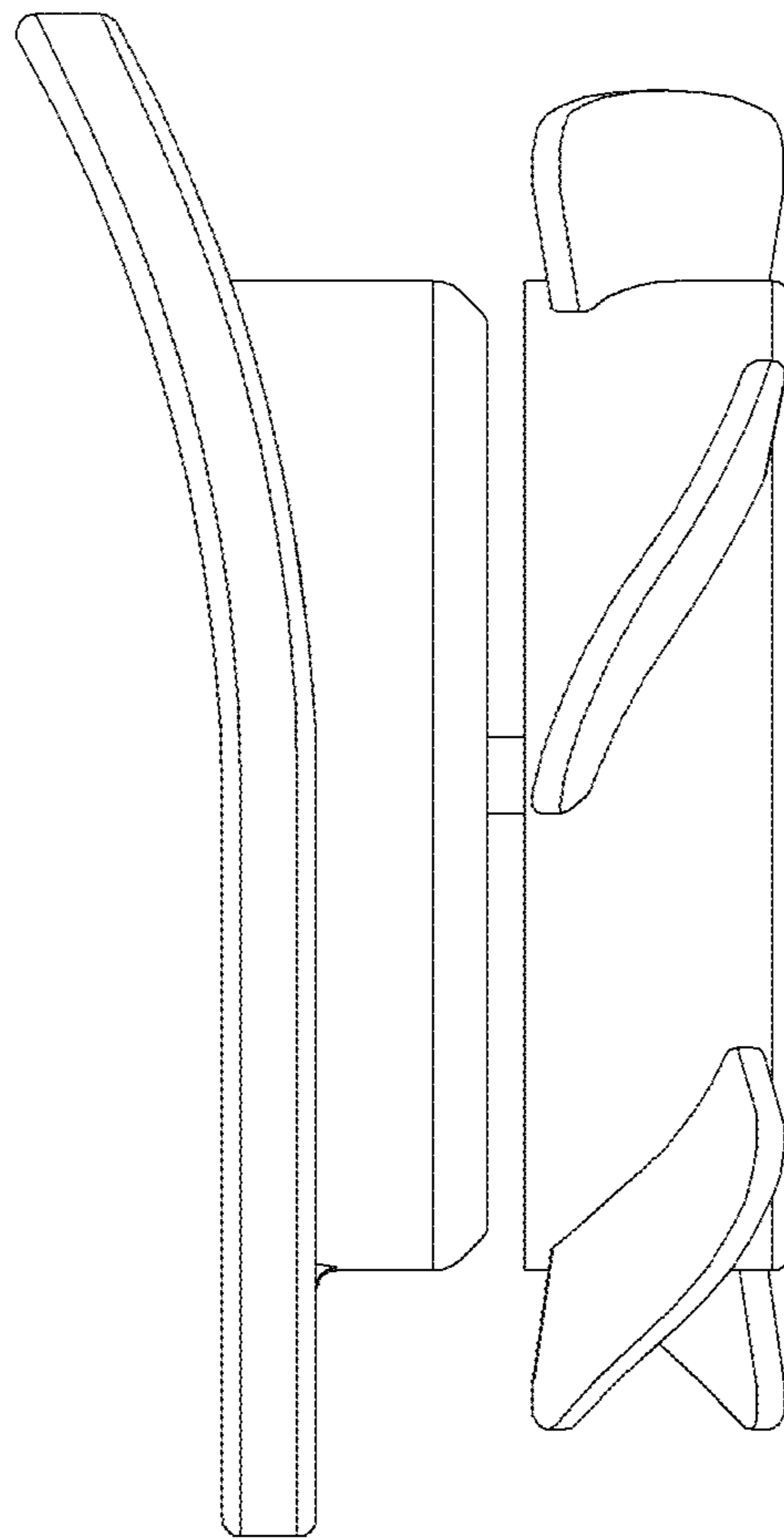


FIG. 4

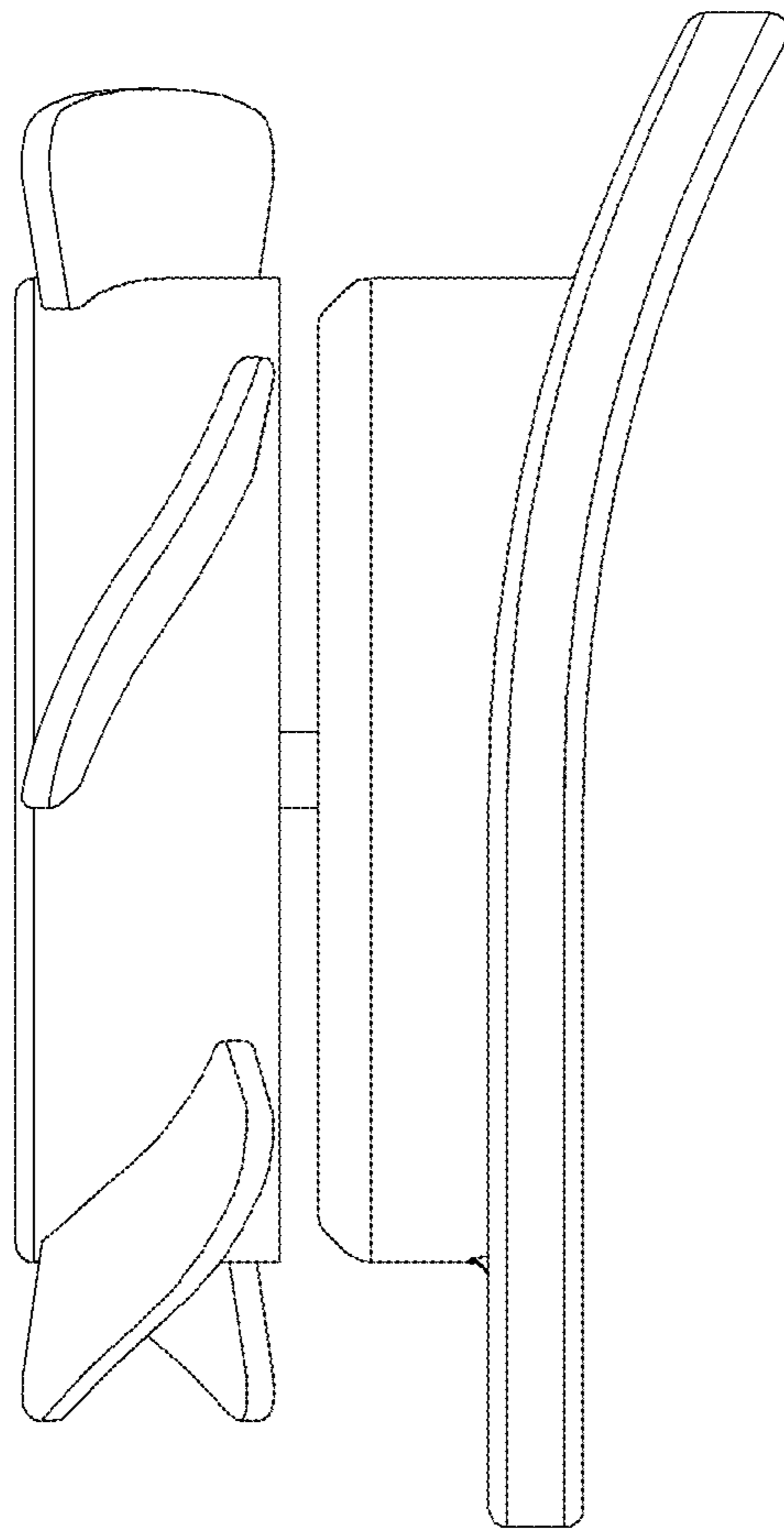


FIG. 5

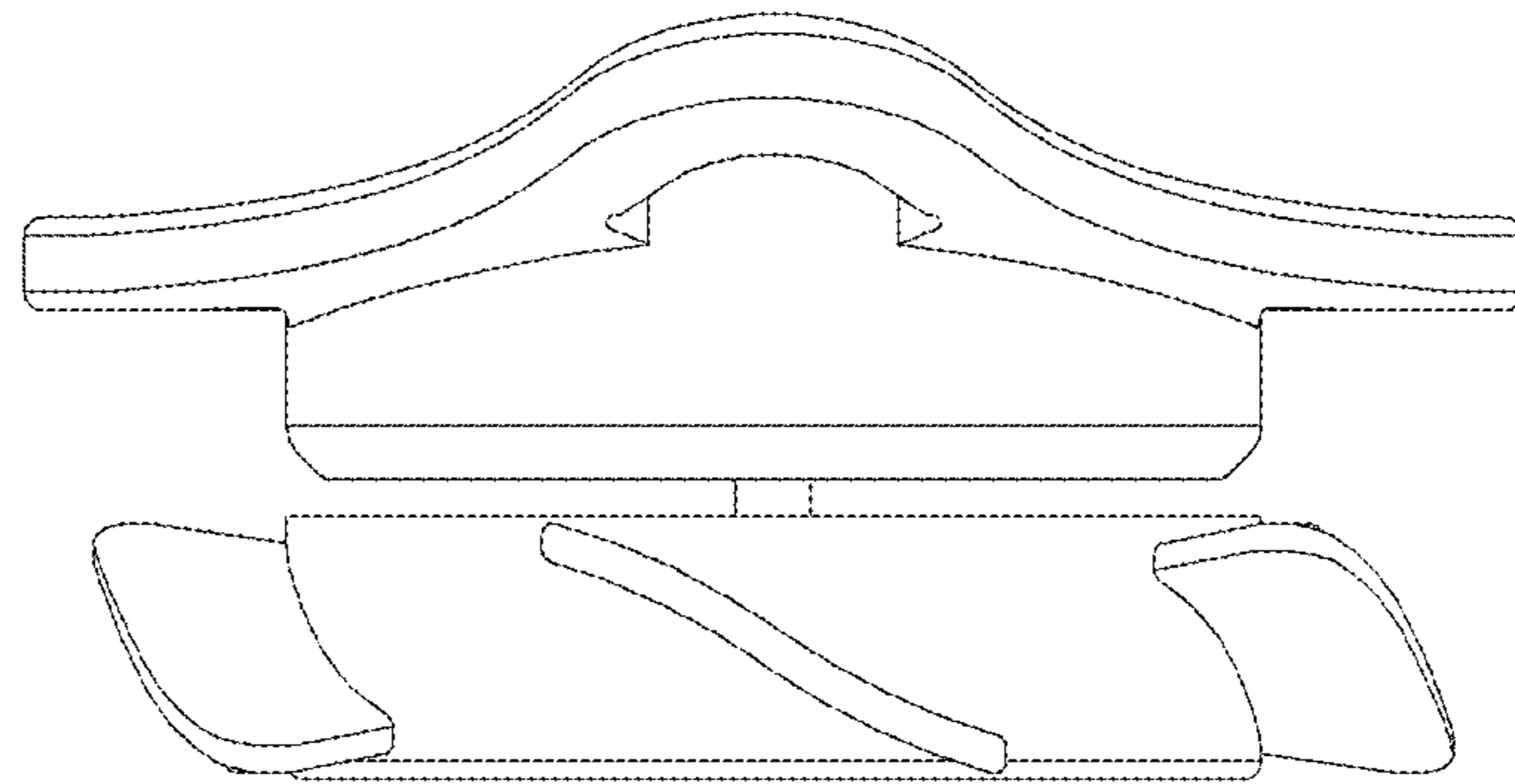


FIG. 6

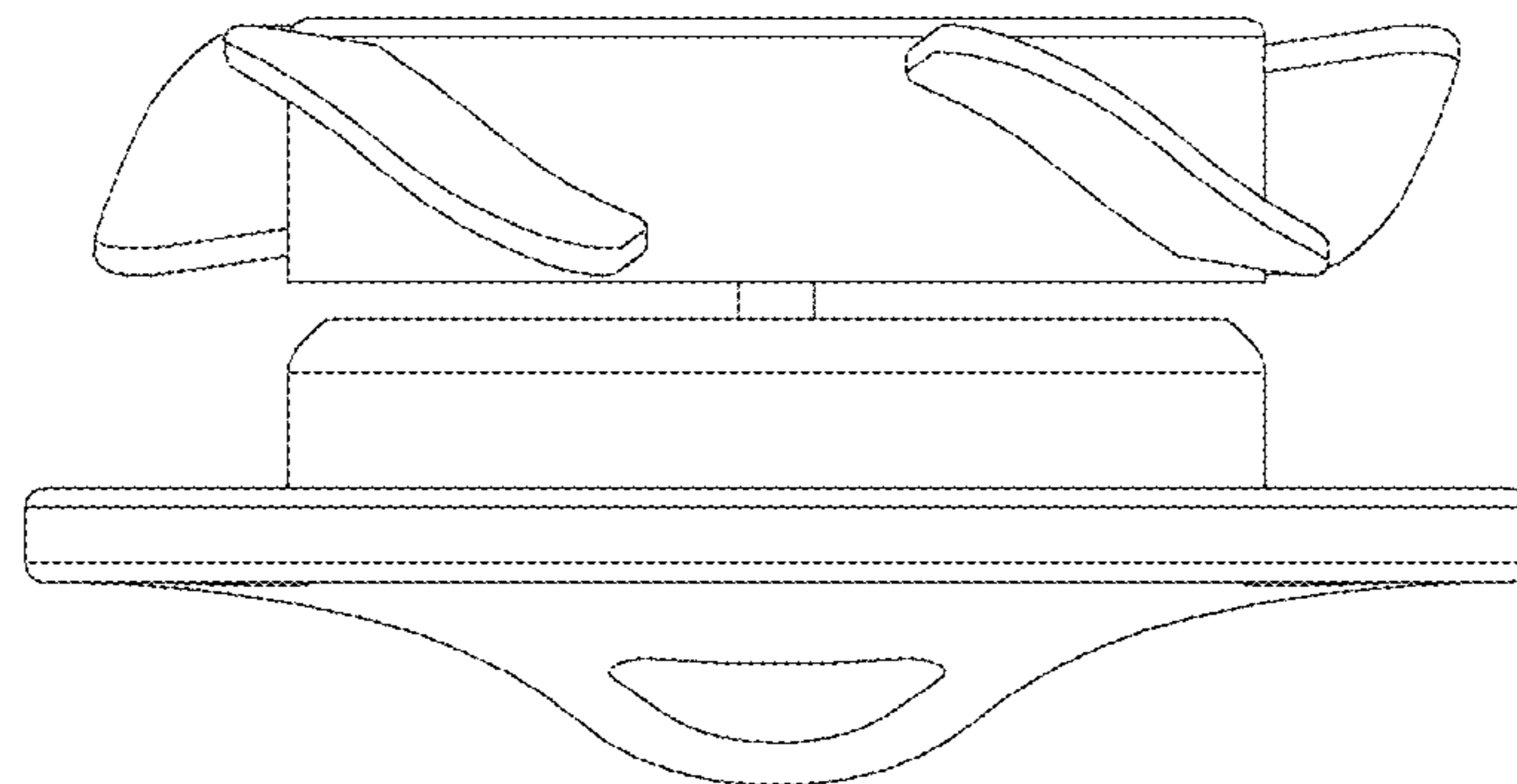


FIG. 7