



US00D799655S

(12) **United States Design Patent** (10) **Patent No.:** **US D799,655 S**  
**Hirsch et al.** (45) **Date of Patent:** **\*\* Oct. 10, 2017**

(54) **CHILLED BEAM**

(71) Applicant: **AIR SYSTEM COMPONENTS, INC.**, Plano, TX (US)

(72) Inventors: **Joachim Hirsch**, Colleyville, TX (US); **Honghui Zhang**, Richardson, TX (US); **Ernest Freeman**, Dallas, TX (US); **Keith Glasch**, Plano, TX (US); **Blake Robert Gallagher**, Seattle, WA (US); **Paul Sheppard Woolford**, San Francisco, CA (US); **Thomas Adam Kaczowski**, University City, MO (US)

(73) Assignee: **AIR DISTRIBUTION TECHNOLOGIES IP, LLC**, Milwaukee, WI (US)

(\*\*) Term: **14 Years**

(21) Appl. No.: **29/524,247**

(22) Filed: **Apr. 17, 2015**

(51) **LOC (10) Cl.** ..... **26-04**

(52) **U.S. Cl.**  
USPC ..... **D23/351**

(58) **Field of Classification Search**  
USPC ..... D26/76-79; D23/351-354  
CPC ..... F21S 2/00; F21S 4/00; F21S 4/003; F21S 4/005; F21S 4/006; F21S 4/007; F21S 4/008; F21S 6/00; F21S 8/00; F21S 8/024; F21S 8/026; F21S 8/031; F21S 8/033; F21S 8/035-8/037; F21S 8/04; F21S 8/043; F21S 8/063

See application file for complete search history.

(56) **References Cited**

**U.S. PATENT DOCUMENTS**

D304,073 S \* 10/1989 Ikeda ..... D23/351  
D424,184 S \* 5/2000 Chang-Kwon ..... D23/325  
D426,626 S \* 6/2000 Nonaka ..... D23/351

D553,721 S \* 10/2007 Seki ..... D23/351  
D679,440 S \* 4/2013 Smith ..... D26/76  
D724,249 S \* 3/2015 Maxik ..... D26/76  
D736,366 S \* 8/2015 Picco ..... D23/386  
D743,085 S \* 11/2015 Stolte ..... D26/76

(Continued)

**OTHER PUBLICATIONS**

The Reply in response to the Examiner's Report issued on Dec. 15, 2016, as filed with the Canadian Intellectual Property Office on Feb. 8, 2017 for the corresponding Canadian application No. 171914.

(Continued)

*Primary Examiner* — George D Kirschbaum

*Assistant Examiner* — Natasha Vujcic

(74) *Attorney, Agent, or Firm* — Jackson Walker LLP; Christopher J. Rourk

(57) **CLAIM**

The ornamental design for a chilled beam, as shown and described.

**DESCRIPTION**

FIG. 1 is an isometric view of a first embodiment of a chilled beam;

FIG. 2 is a side view thereof;

FIG. 3 is another side view thereof;

FIG. 4 is an end view thereof;

FIG. 5 is another end view thereof;

FIG. 6 is top view thereof;

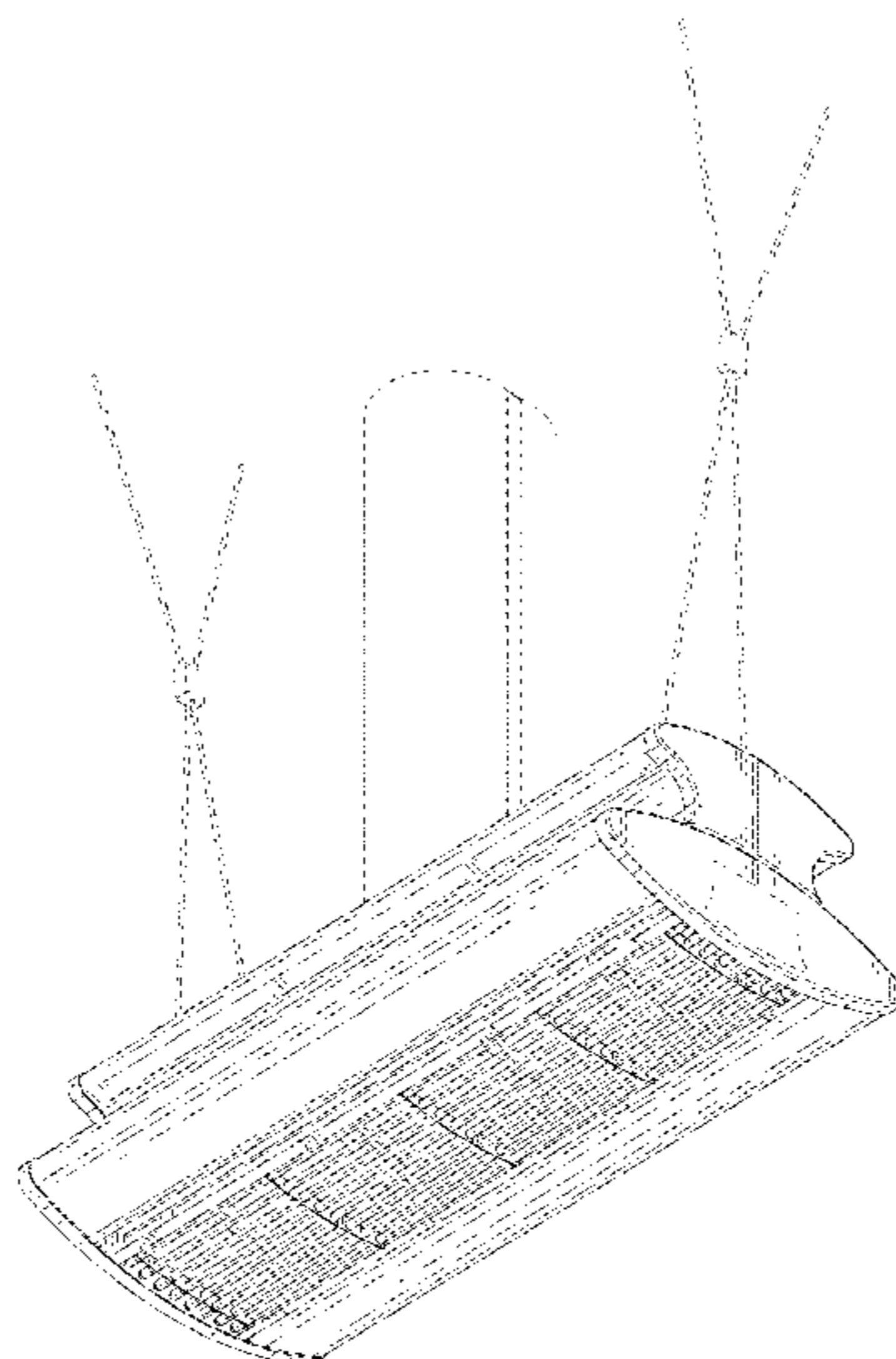
FIG. 7 is a bottom view thereof; and,

FIG. 8 is an isometric view of a second embodiment of the chilled beam.

The broken lines in the drawings illustrate the environment of the chilled beam which forms no part of the claimed design.

The break lines indicate that the appearance of any portion of the chilled beam between the break lines forms no part of the claimed design.

**1 Claim, 7 Drawing Sheets**



(56)

**References Cited**

U.S. PATENT DOCUMENTS

D761,477 S \* 7/2016 Guercio ..... D26/76  
2003/0194269 A1\* 10/2003 Garza ..... E01F 5/005  
404/2

OTHER PUBLICATIONS

The Examiner's Report issued on Jan. 26, 2017 by the Canadian Intellectual Property Office for the corresponding Canadian application No. 164911.

An Examiner's Report issued on Feb. 5, 2016 by Canadian Intellectual Property Office for the corresponding Canadian application No. 164910.

The Response to the Examiner's Report dated on Feb. 5, 2016 as filed with the Canadian Intellectual Property Office on Jun. 2, 2016 for the corresponding Canadian application No. 164,910.

The Reply in response to the Office Action dated Nov. 15, 2016, as filed with the Canadian Intellectual Property Office dated May 15, 2017 for the corresponding Canadian application No. 2,917,678.

The Reply in response to the Office Action dated Nov. 15, 2016, as filed with the Canadian Intellectual Property Office dated May 15, 2017 for the corresponding Canadian application No. 2,917,679.

\* cited by examiner

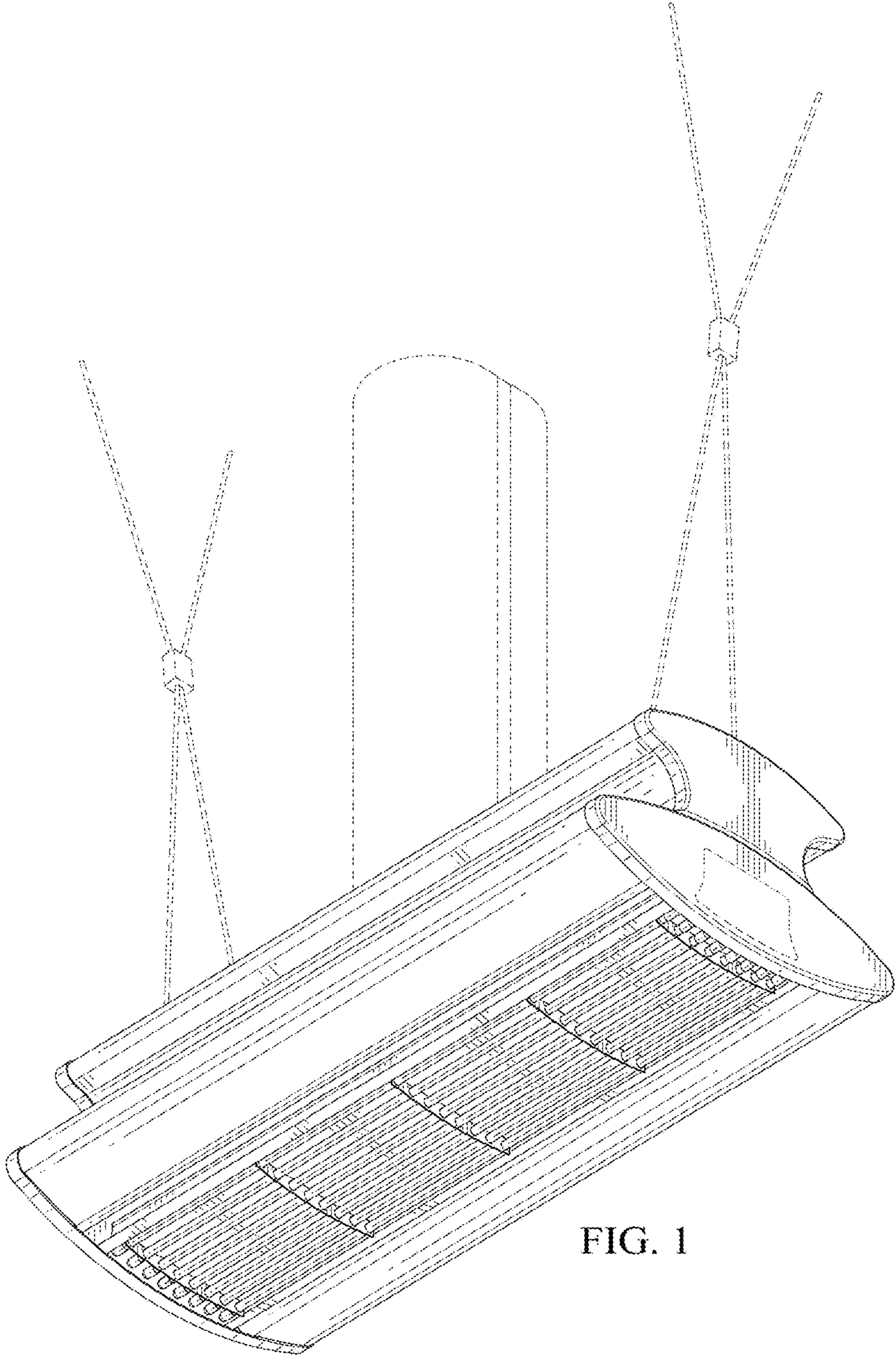


FIG. 1

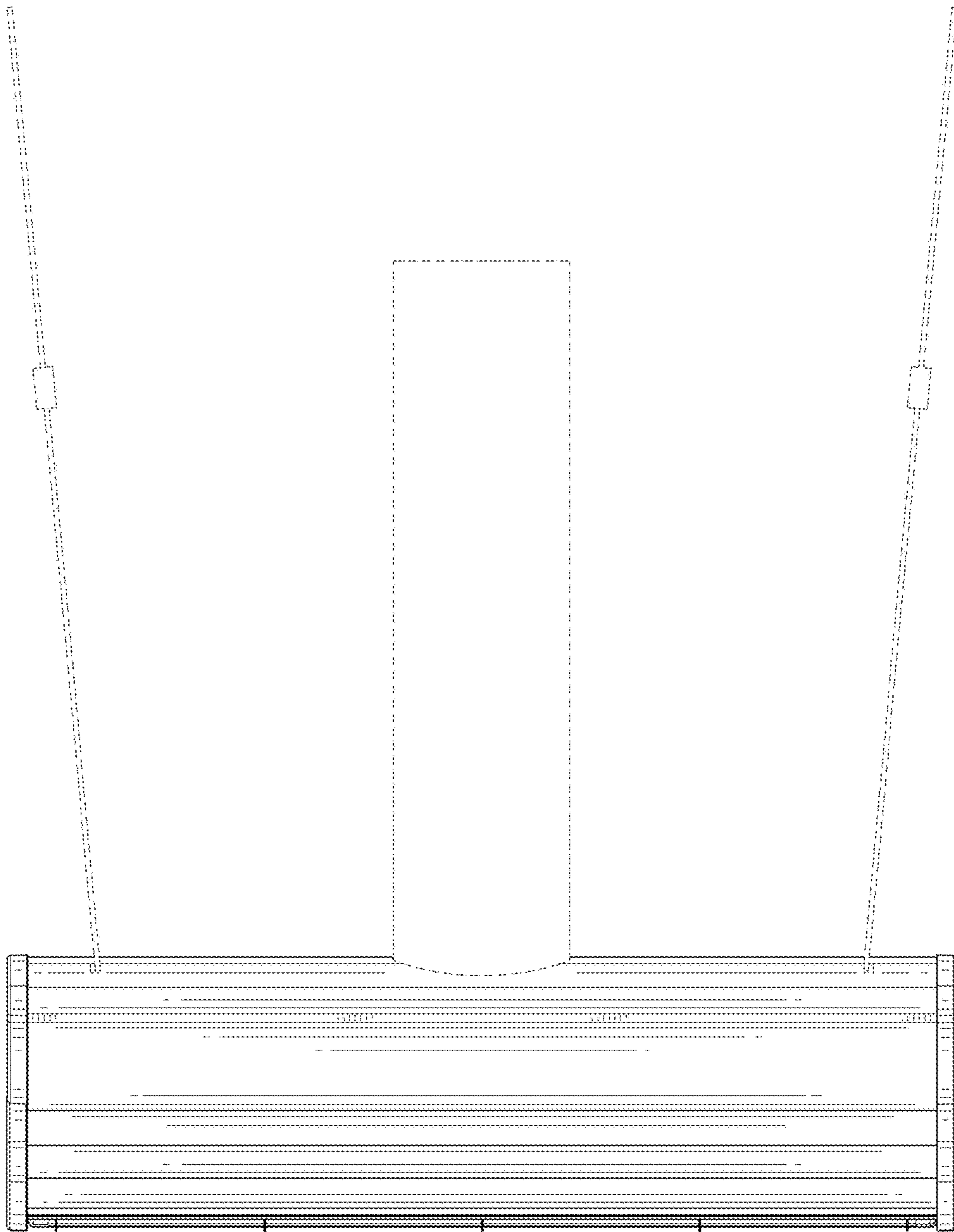


FIG. 2

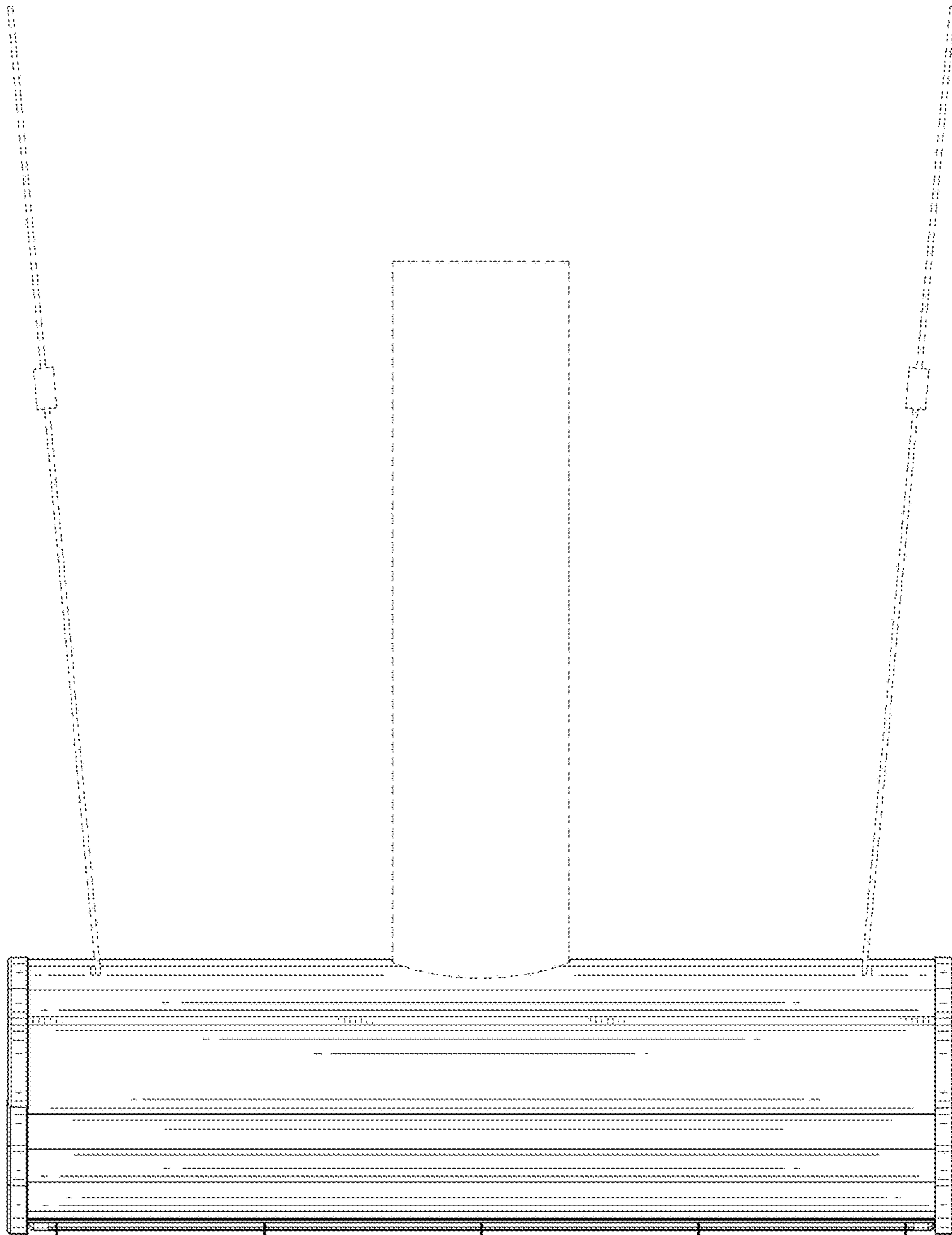


FIG. 3

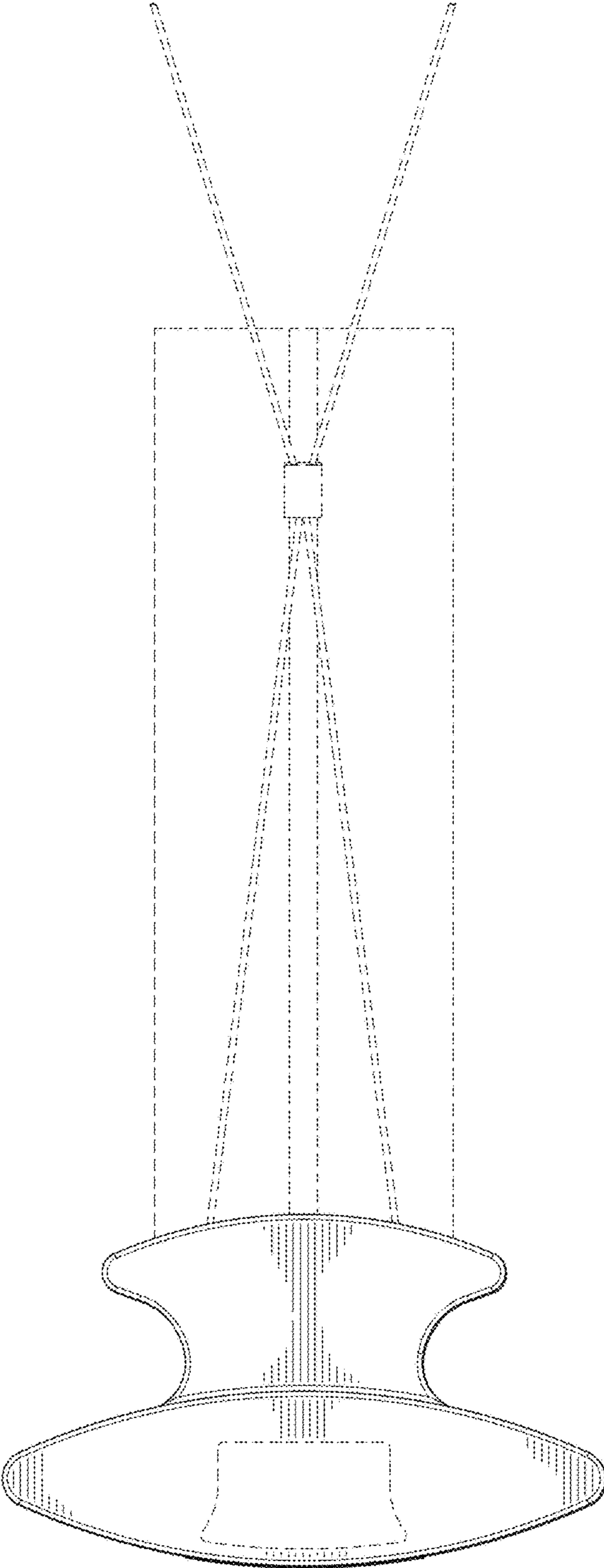


FIG. 4

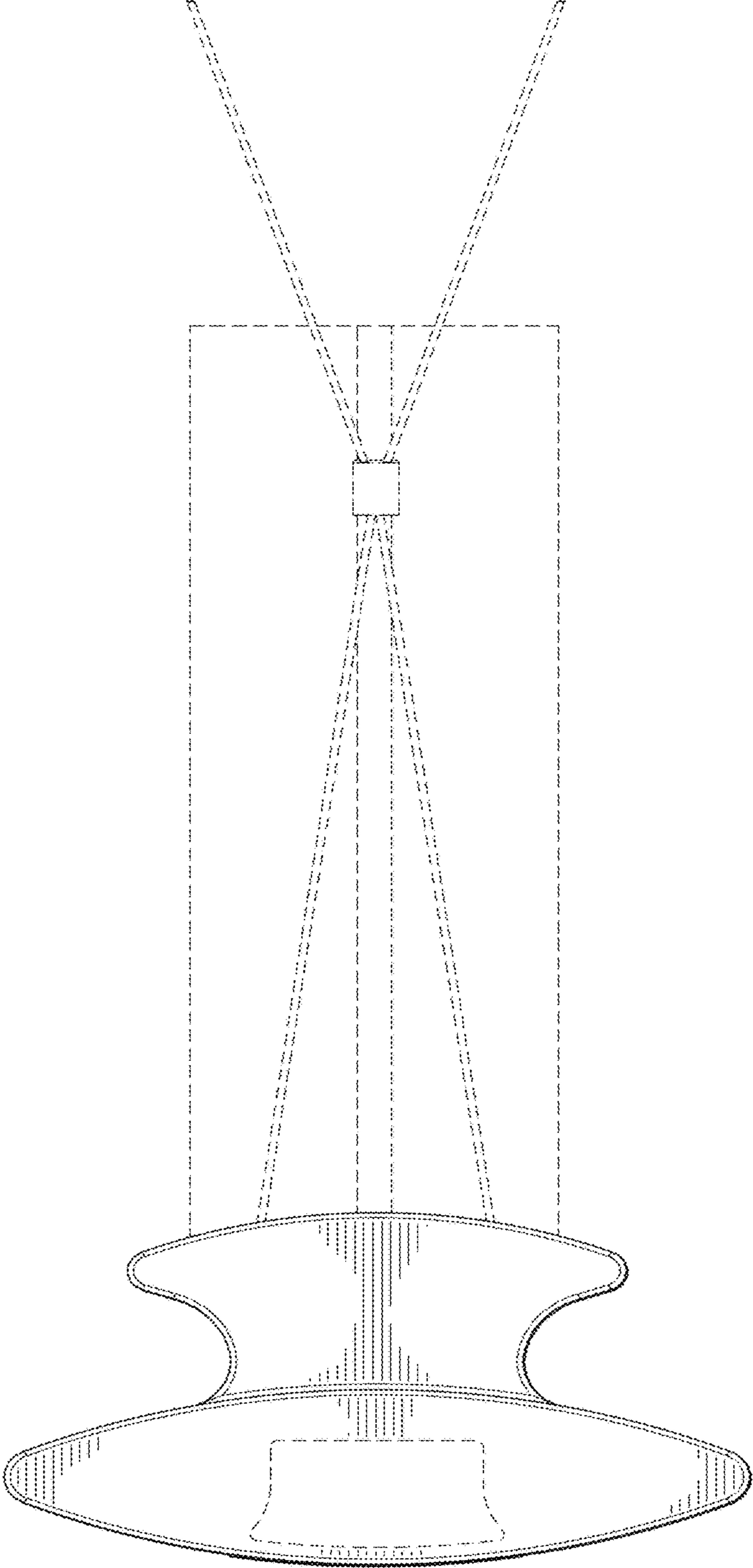


FIG. 5

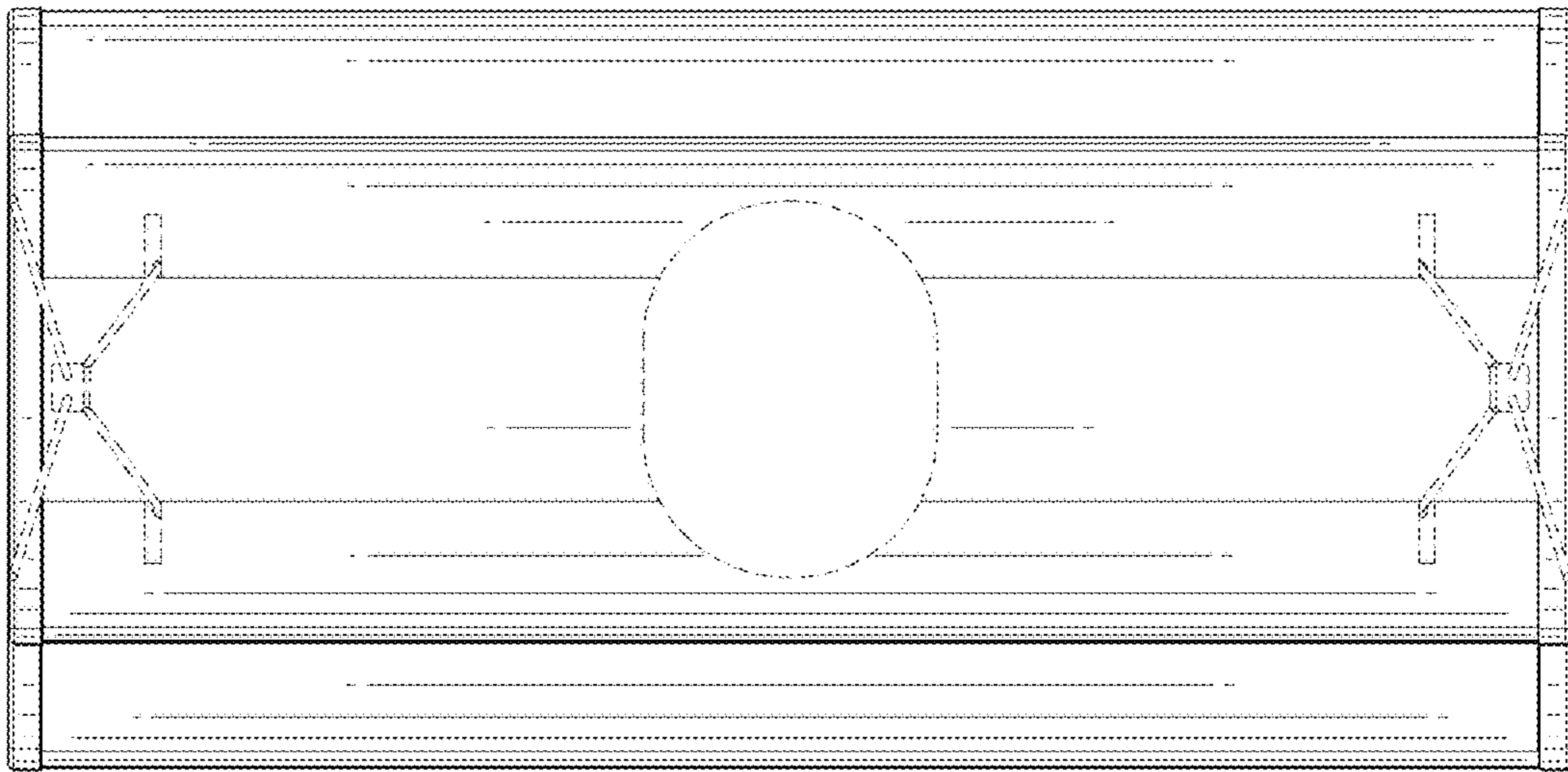


FIG. 6

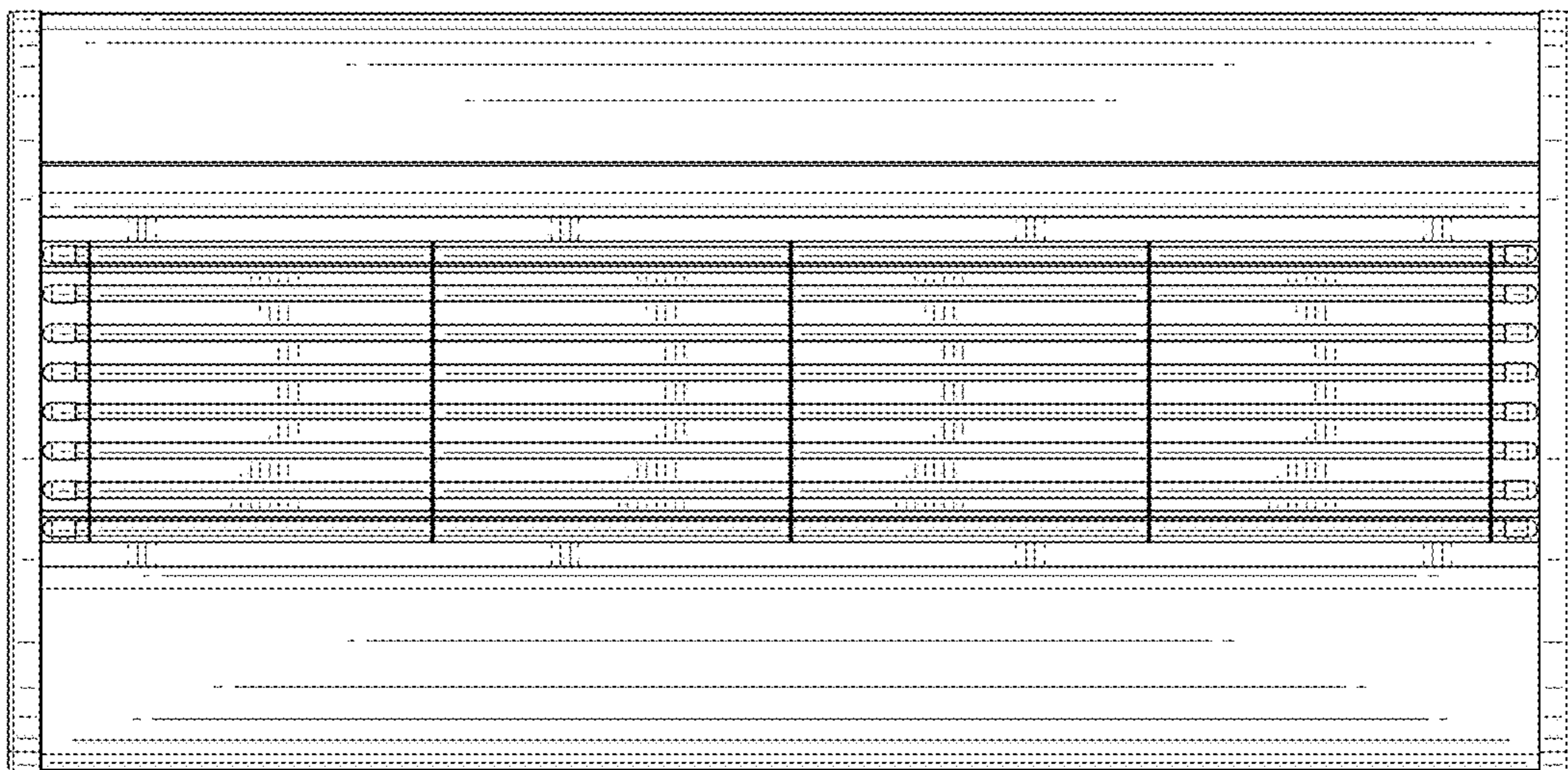


FIG. 7



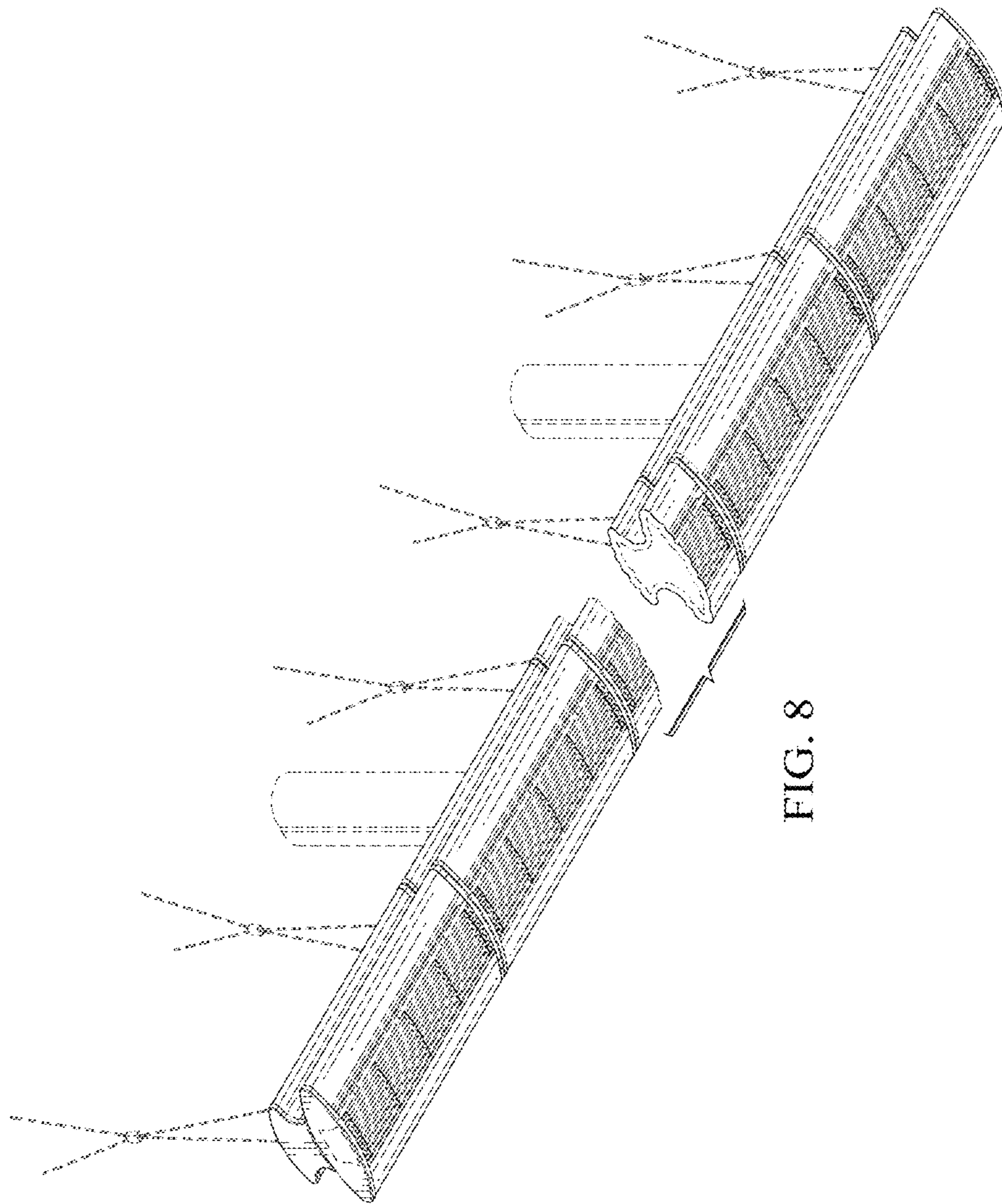


FIG. 8