



US00D799647S

(12) **United States Design Patent** (10) **Patent No.:** **US D799,647 S**
Towers (45) **Date of Patent:** **** Oct. 10, 2017**

(54) **DRAIN TRAP**
(71) Applicant: **PLYMOUTH I.P. CONCEPTS LLC**,
Cheyenne, WY (US)
(72) Inventor: **Patrick Allison Towers**, San Tan
Valley, AZ (US)
(73) Assignee: **PLYMOUTH I.P. CONCEPTS LLC**,
Cheyenne, WY (US)
(**) Term: **15 Years**
(21) Appl. No.: **29/603,631**
(22) Filed: **May 11, 2017**
(51) **LOC (10) Cl.** **23-01**
(52) **U.S. Cl.**
USPC **D23/268**
(58) **Field of Classification Search**
USPC D23/209–210, 233, 259–263, 266,
D23/268–269; 4/286–295, 674, 681;
210/232; 251/215–216; 137/247, 247.41,
137/247.51; 285/133.3, 133.4, 133.5,
285/133.6, 133.11, 133.21, 369, 372, 337,
285/417
CPC ... E03C 1/26; E03C 1/262; E03C 1/28; E03C
1/298; E03C 1/23; E03C 1/24; E03C
1/264; F16L 41/007; F16L 11/00; F16L
37/252; E03F 5/04
See application file for complete search history.

(56) **References Cited**
U.S. PATENT DOCUMENTS
743,094 A * 11/1903 McAuliffe E03C 1/122
137/247.31
1,751,877 A * 3/1930 Nance E03C 1/29
137/247.35
1,958,712 A * 5/1934 Nance E03C 1/29
137/247.35
4,032,455 A * 6/1977 Kale B01D 29/11
137/247.51

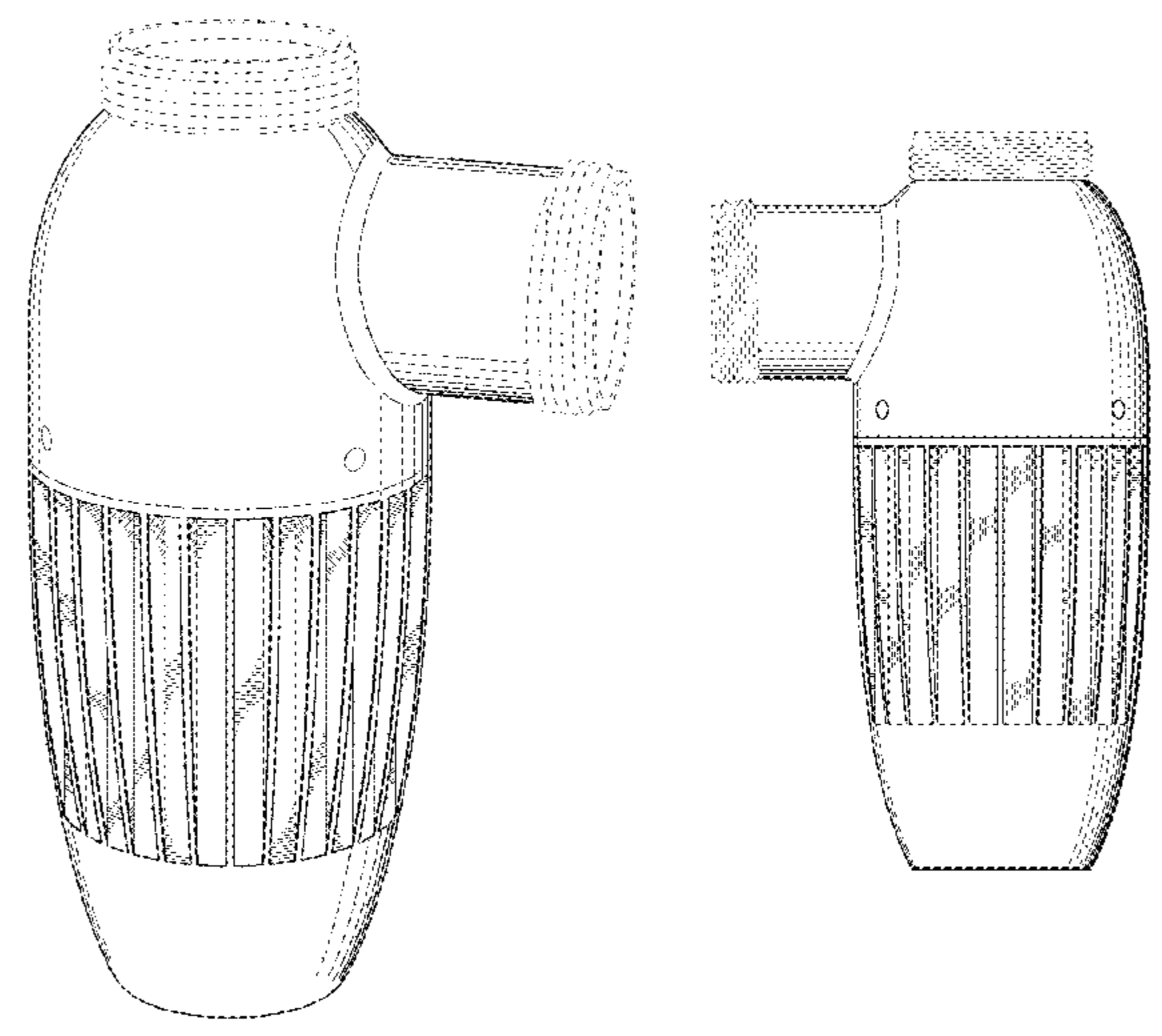
5,267,361 A * 12/1993 Lai E03C 1/282
137/247.51
5,638,557 A * 6/1997 Iida B01D 21/00
137/247.41
D441,048 S * 4/2001 Archer D23/209
D470,927 S * 2/2003 Molinaro D23/268
D529,144 S * 9/2006 McAlpine D23/268
D531,285 S * 10/2006 Williams D23/268
7,155,760 B2 * 1/2007 McAlpine E03C 1/29
137/247.35
D549,805 S * 8/2007 Quach D23/268
D580,530 S * 11/2008 McAlpine D23/268
D735,302 S * 7/2015 Merrifield D23/259
D745,950 S 12/2015 Towers
9,428,893 B1 8/2016 Towers
2002/0088051 A1 * 7/2002 Nunez E03C 1/29
4/679
2005/0229305 A1 * 10/2005 Nocera E03C 1/29
4/679

* cited by examiner
Primary Examiner — Eric L Goodman
Assistant Examiner — Amy C Wierenga
(74) *Attorney, Agent, or Firm* — Ralph D Chabot

(57) **CLAIM**
The ornamental design for a drain trap, as shown and described.

DESCRIPTION
FIG. 1 is a top, front, left side perspective view of the drain trap.
FIG. 2 is a front elevation view.
FIG. 3 is a rear elevation view.
FIG. 4 is a right side elevation view.
FIG. 5 is a left side elevation view.
FIG. 6 is a top plan view; and,
FIG. 7 is a bottom plan view.
The broken lines depict portions of the drain trap that form no part of the claim.

1 Claim, 4 Drawing Sheets



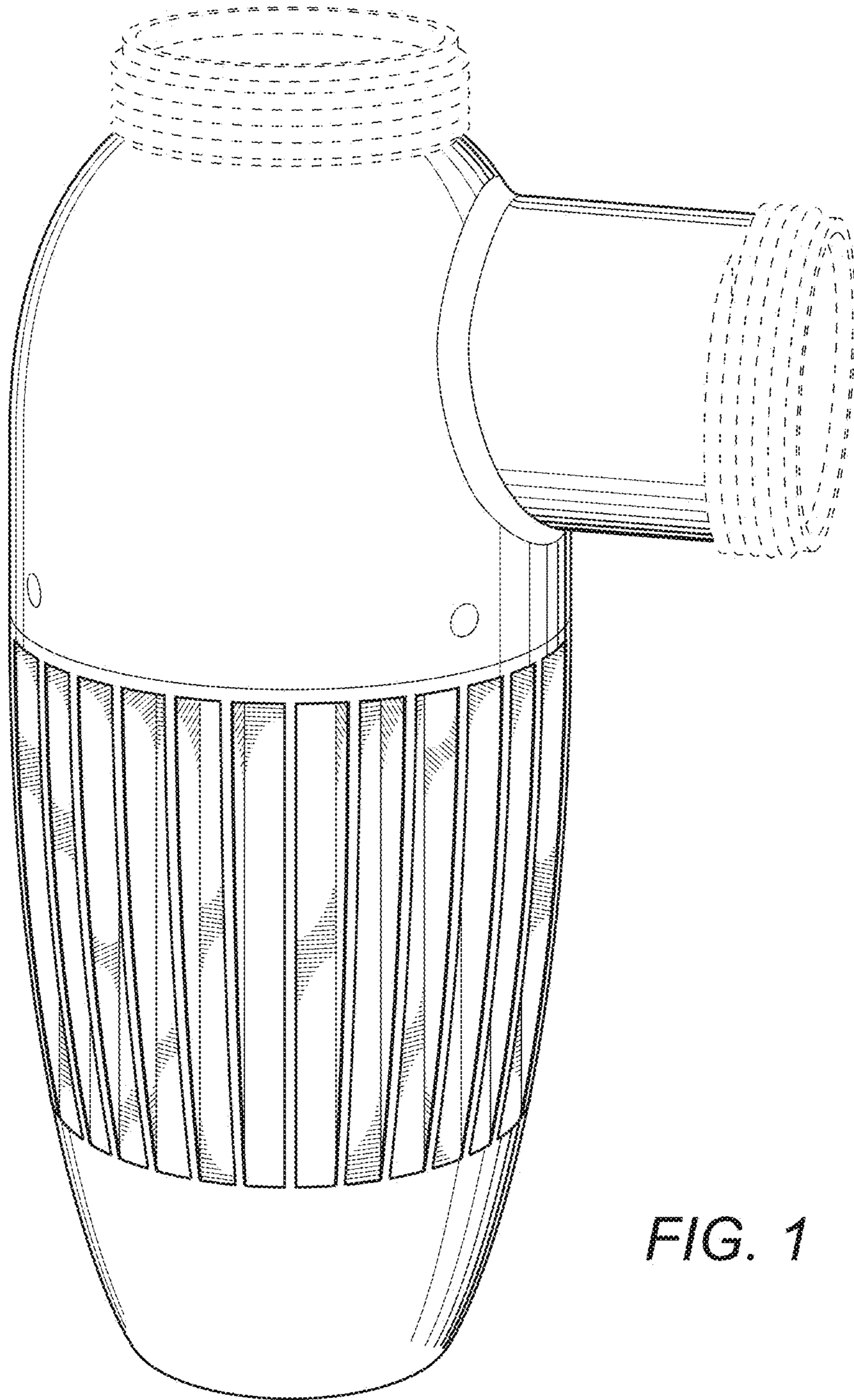


FIG. 1

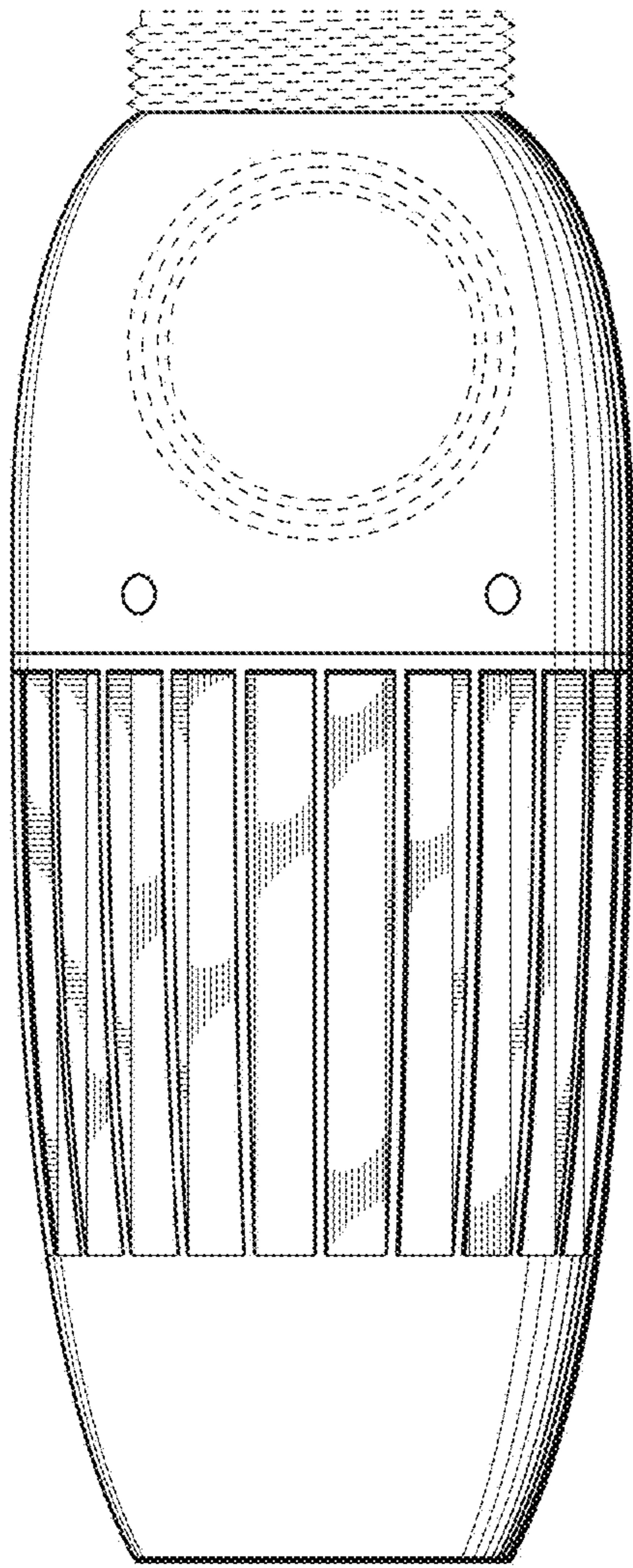


FIG. 2

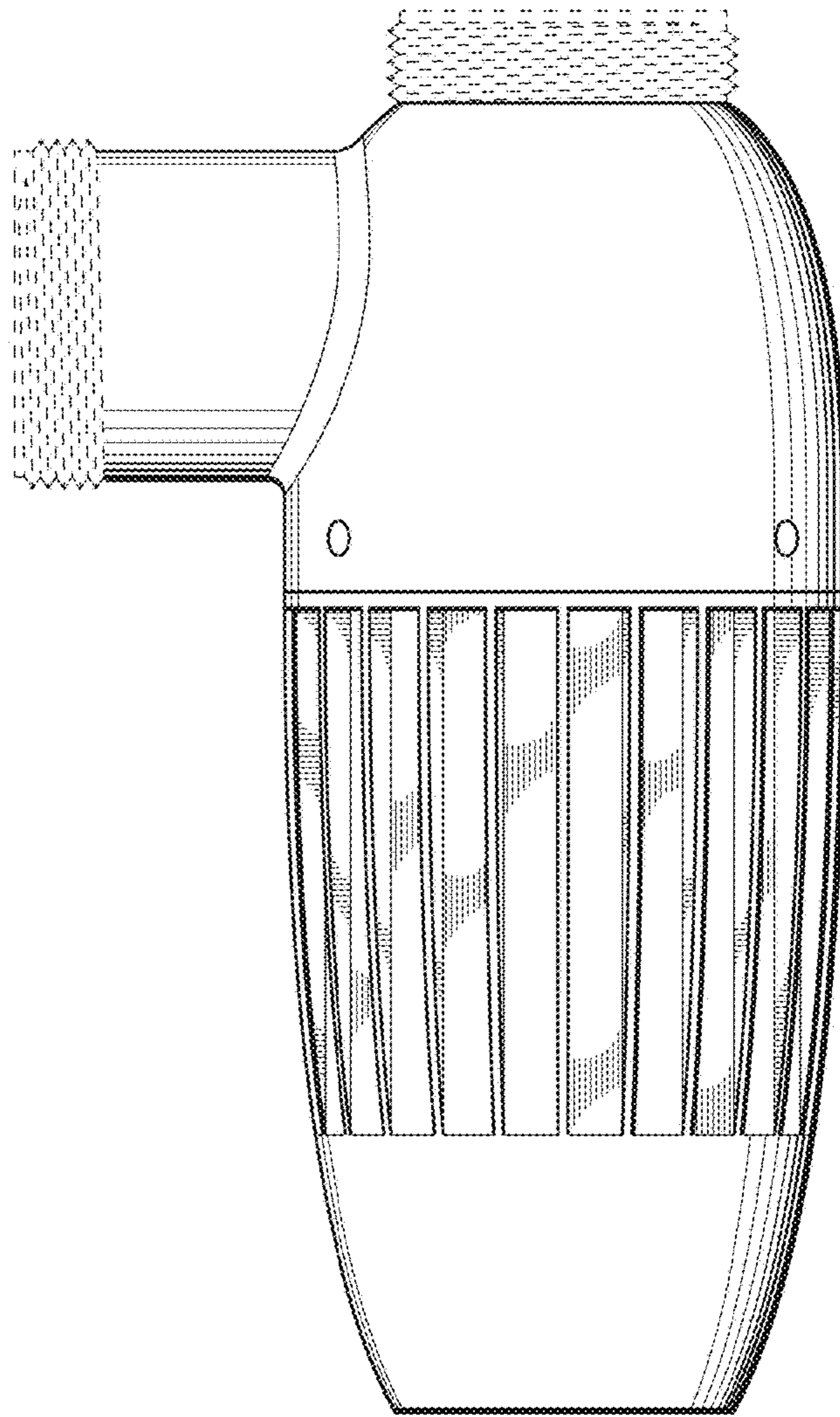


FIG. 4

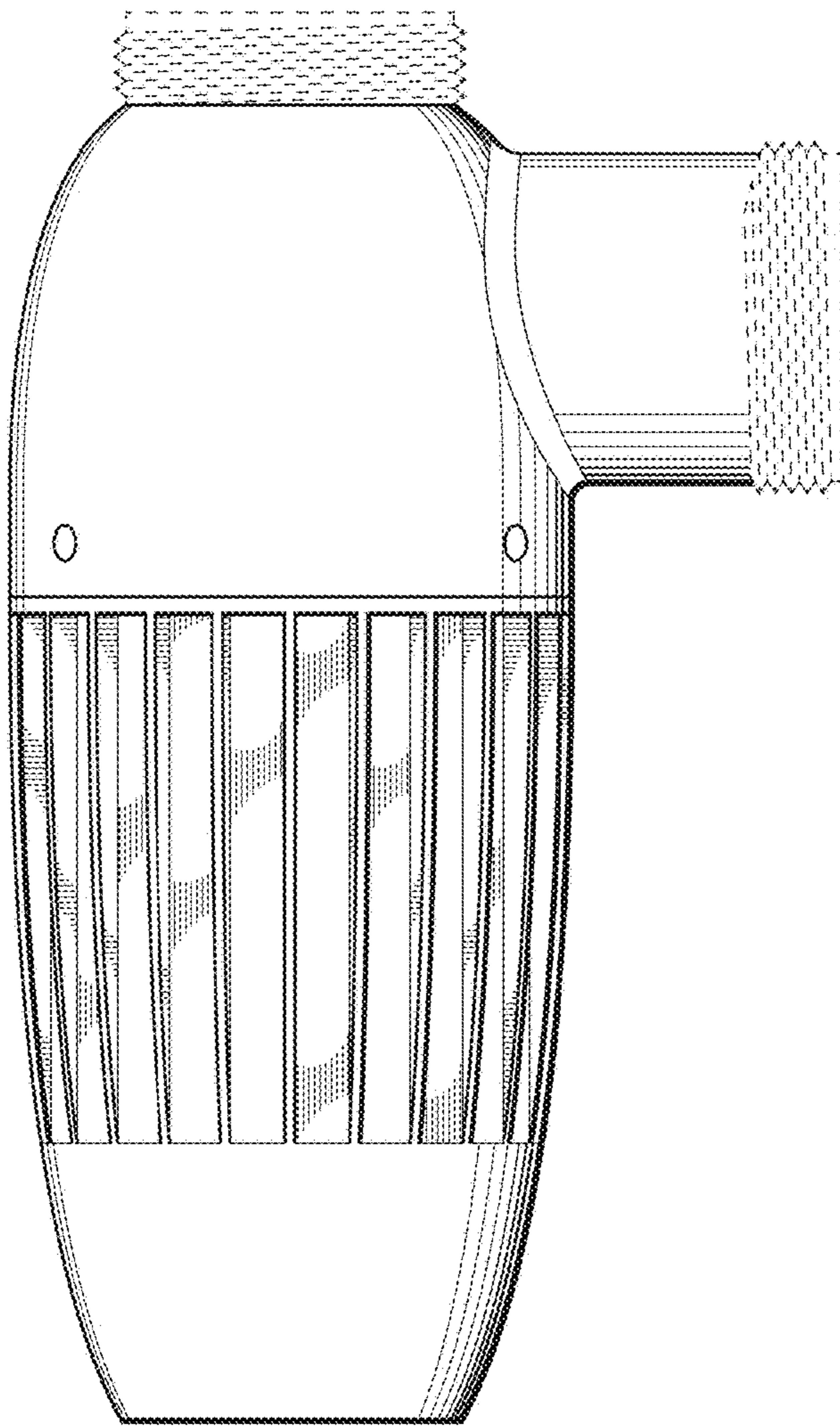


FIG. 5

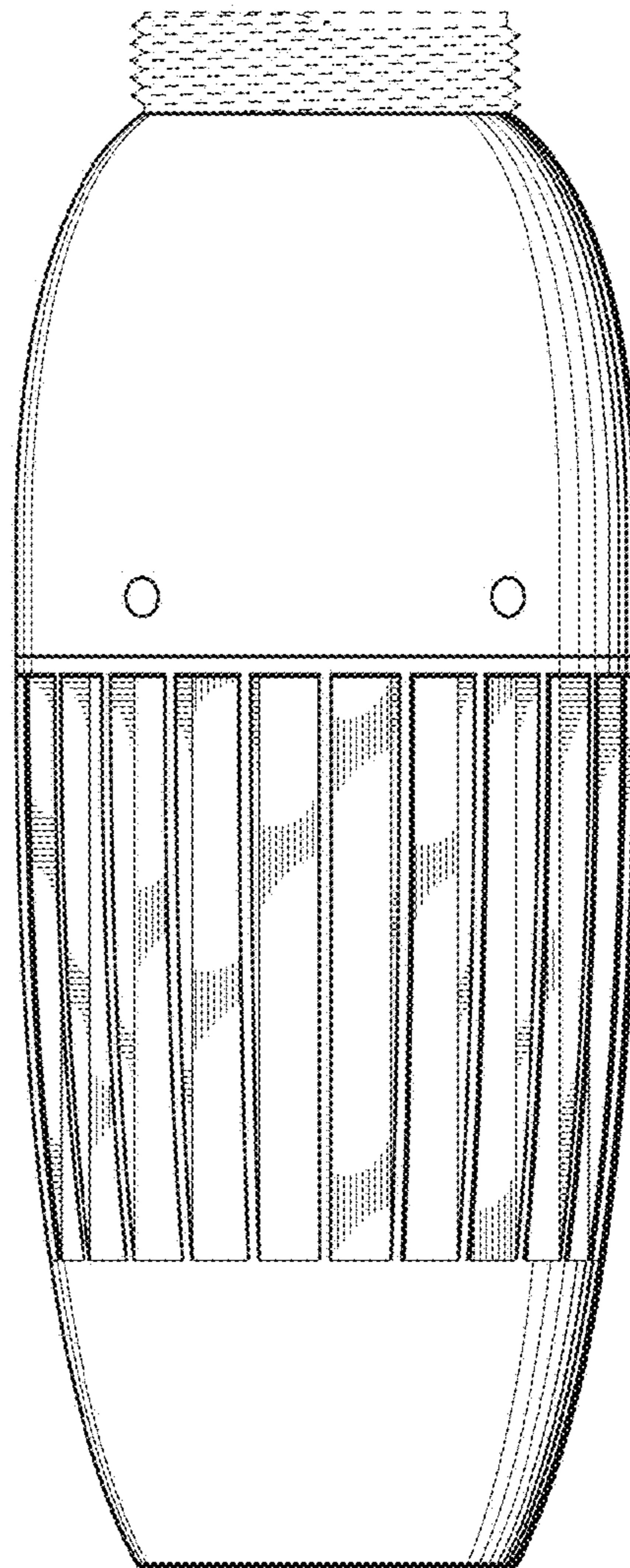


FIG. 3

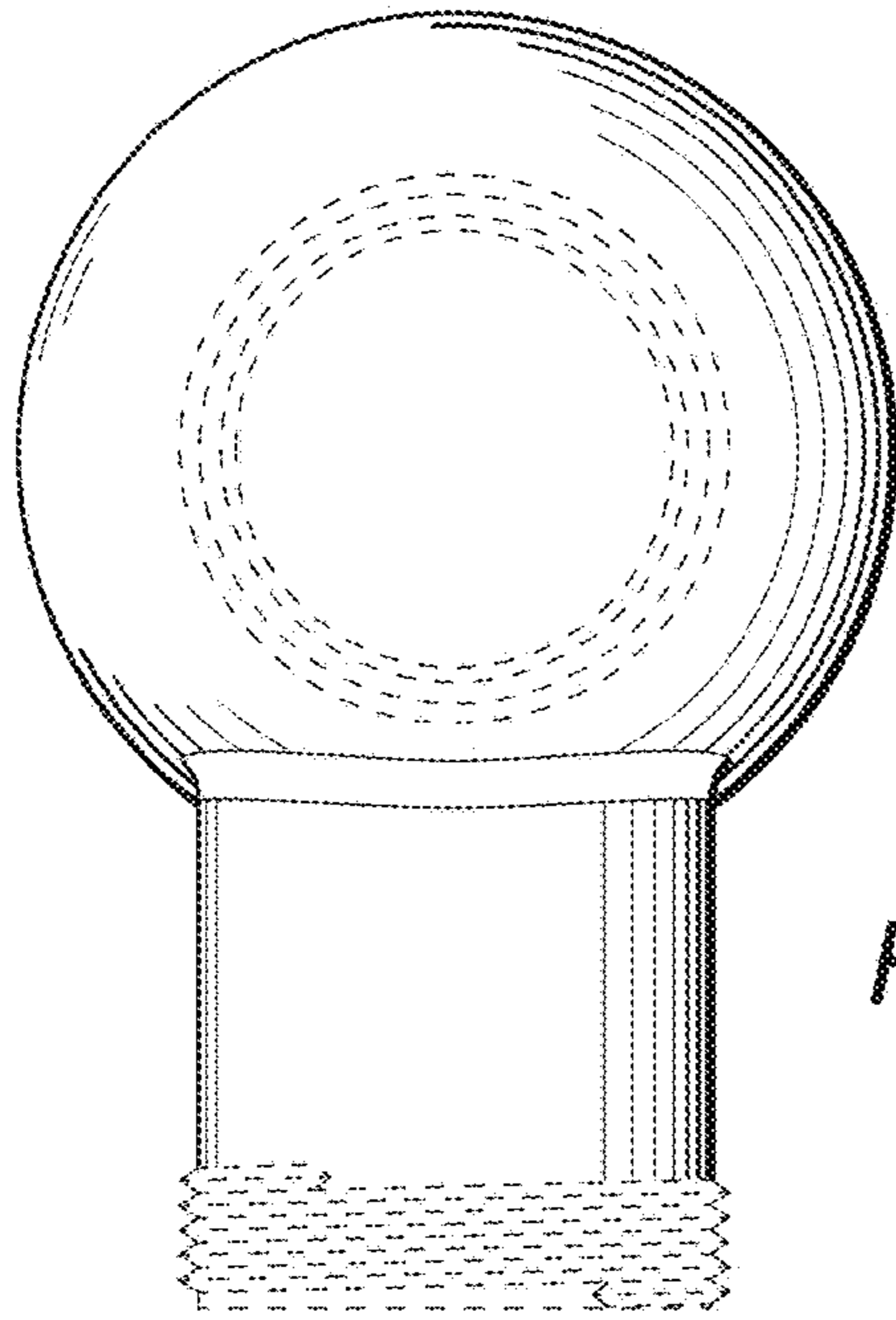


FIG. 6

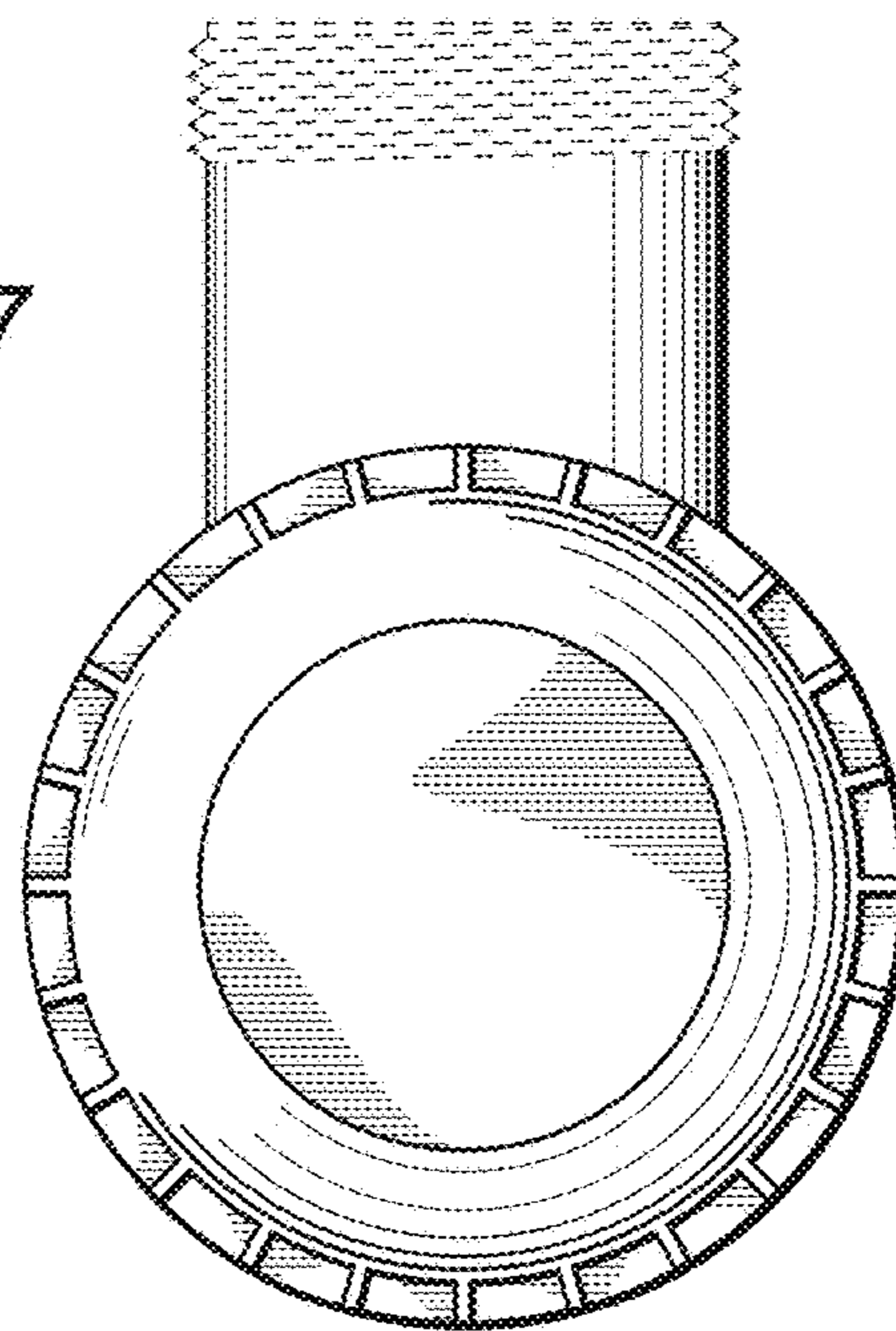


FIG. 7