



US00D799645S

(12) **United States Design Patent** (10) **Patent No.:** **US D799,645 S**
Eads (45) **Date of Patent:** **** Oct. 10, 2017**

(54) **DIVERTER VALVE** D622,358 S * 8/2010 Bouroullec D23/254
D622,359 S * 8/2010 Bouroullec D23/254
(71) Applicant: **DELTA FAUCET COMPANY,** D665,054 S * 8/2012 Flowers D23/254
Indianapolis, IN (US) D757,226 S * 5/2016 Norton D23/254
D767,730 S * 9/2016 Eads D23/252

(72) Inventor: **Thad Eads,** North Manchester, IN (US) * cited by examiner

(73) Assignee: **DELTA FAUCET COMPANY,** *Primary Examiner* — Robert Delehanty
Indianapolis, IN (US) (74) *Attorney, Agent, or Firm* — Edgar A. Zarins; Nirav
D. Parikh

(**) Term: **15 Years**

(21) Appl. No.: **29/597,871**

(22) Filed: **Mar. 21, 2017**

Related U.S. Application Data

(62) Division of application No. 29/551,215, filed on Jan. 12, 2016, now Pat. No. Des. 785,763.

(51) **LOC (10) Cl.** **23-01**

(52) **U.S. Cl.**
USPC **D23/254; D23/252**

(58) **Field of Classification Search**
USPC D23/238–243, 249–254; D8/350–358
CPC E03C 1/04; E03C 1/0401; E03C 1/0402;
E03C 1/0404; F16K 31/602; F16K
31/605; F16K 31/607
See application file for complete search history.

(56) **References Cited**

U.S. PATENT DOCUMENTS

D298,275 S * 10/1988 Hill D23/252
D540,919 S * 4/2007 Soriano D23/249

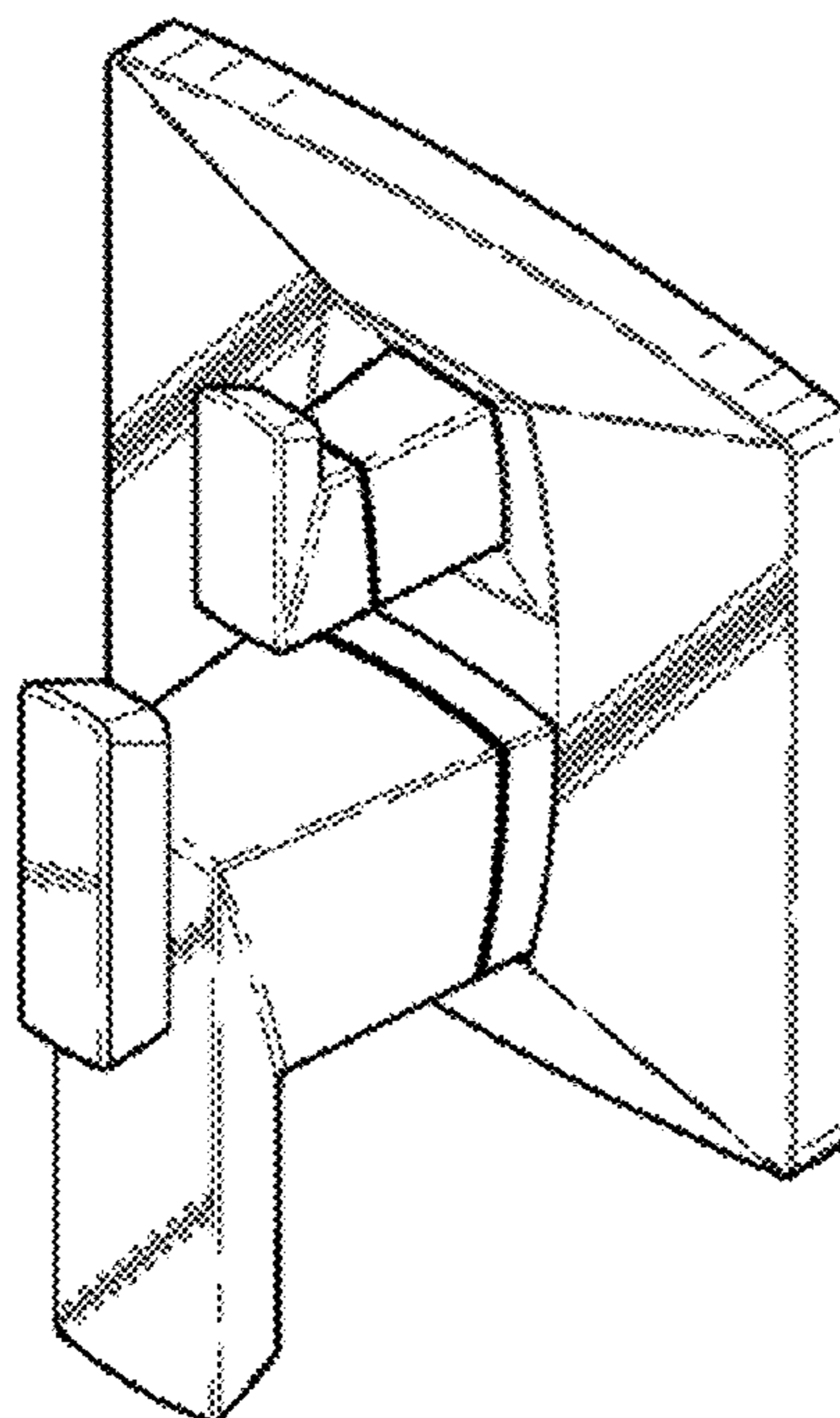
(57) **CLAIM**

The ornamental design for a diverter valve, as shown and described.

DESCRIPTION

FIG. 1 is a perspective view of a diverter valve showing my new design;
FIG. 2 is a front elevational view thereof;
FIG. 3 is a left side view thereof, the opposite side being a mirror image of the side shown;
FIG. 4 is a top plan view thereof;
FIG. 5 is a bottom view thereof; and,
FIG. 6 is a rear view thereof.
The broken line showing a plumbing hole on the rear of the valve in FIG. 6 is included for the purpose of illustrating a portion of the diverter valve that forms no part of the claimed design.

1 Claim, 2 Drawing Sheets



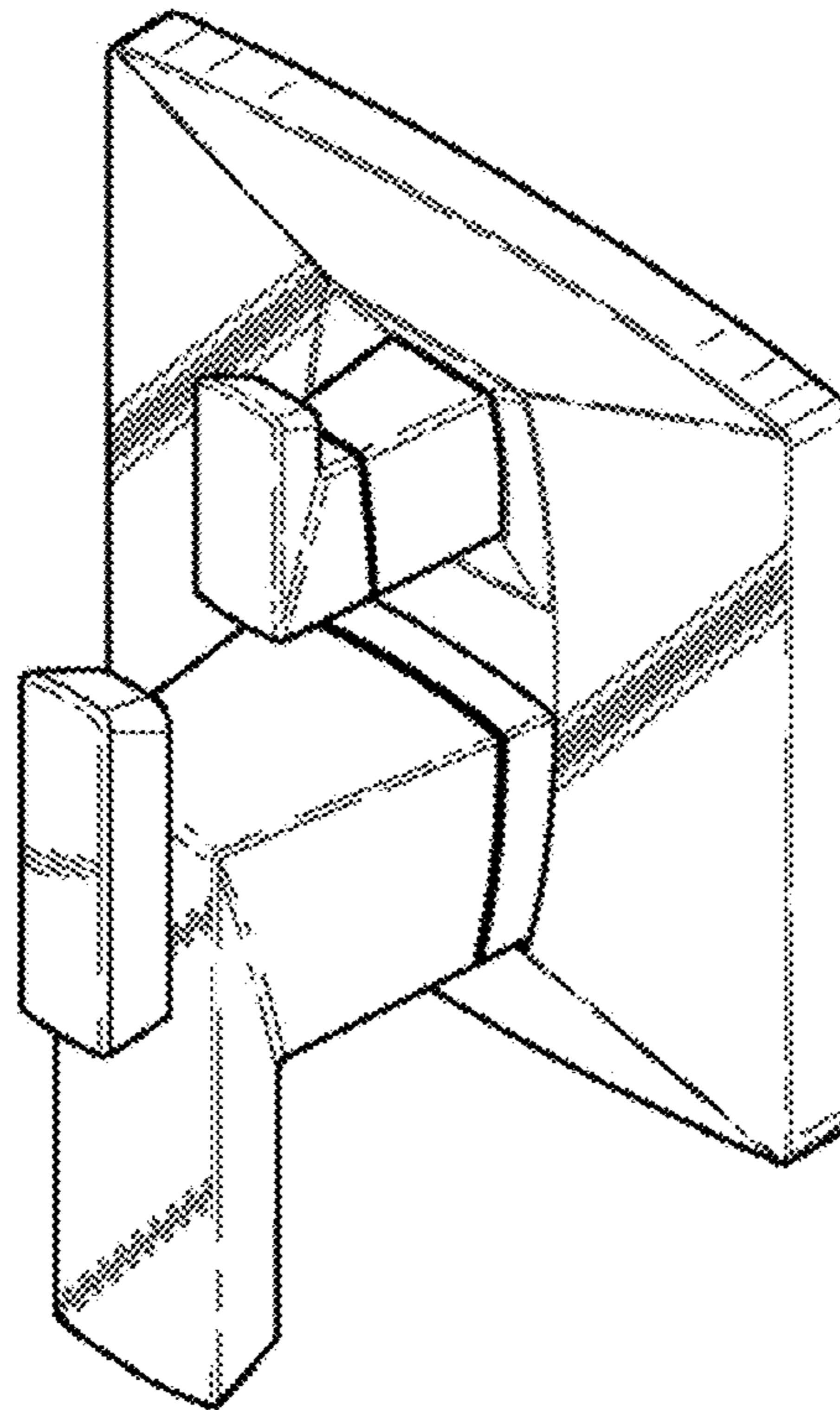


Fig-1

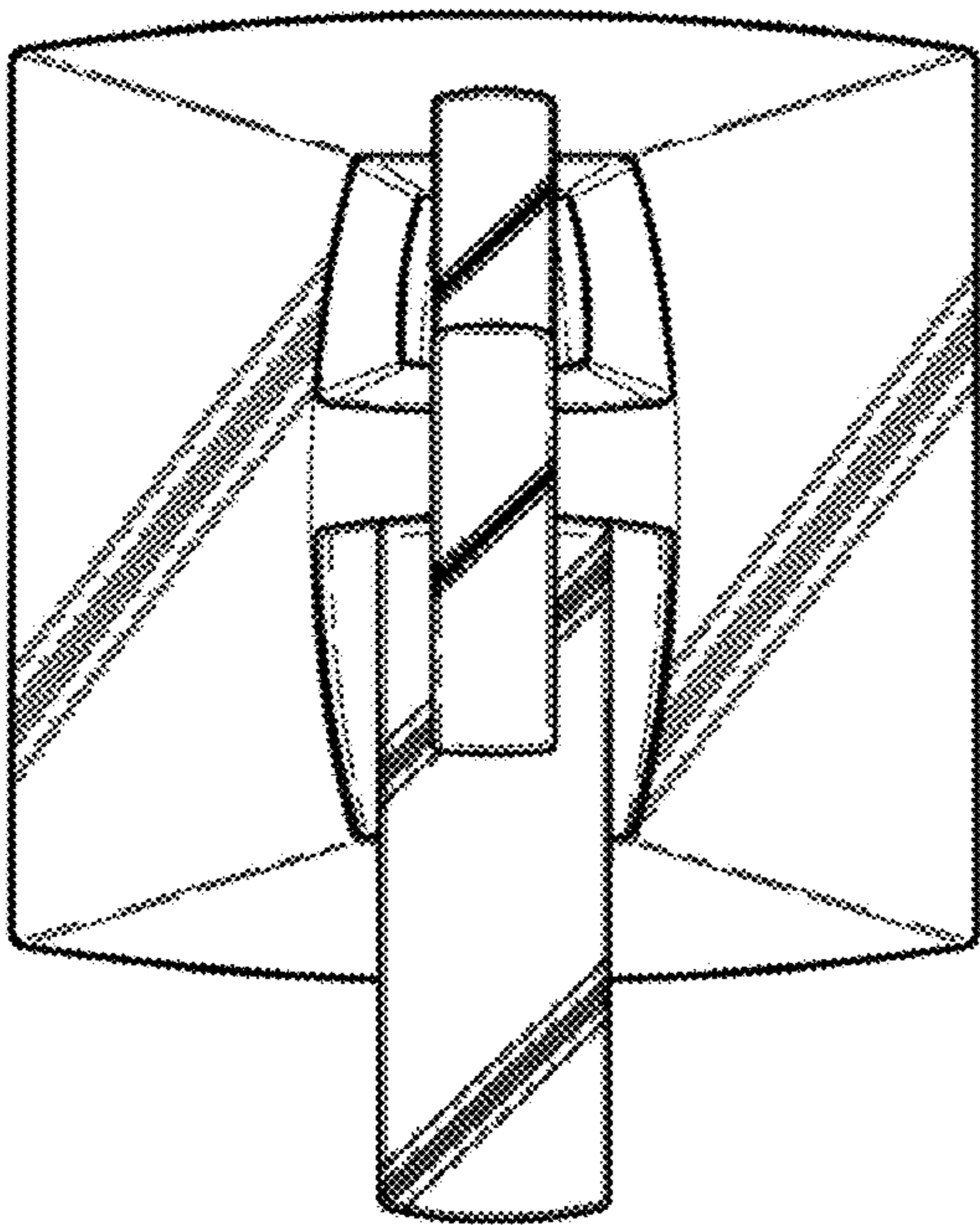


Fig-2

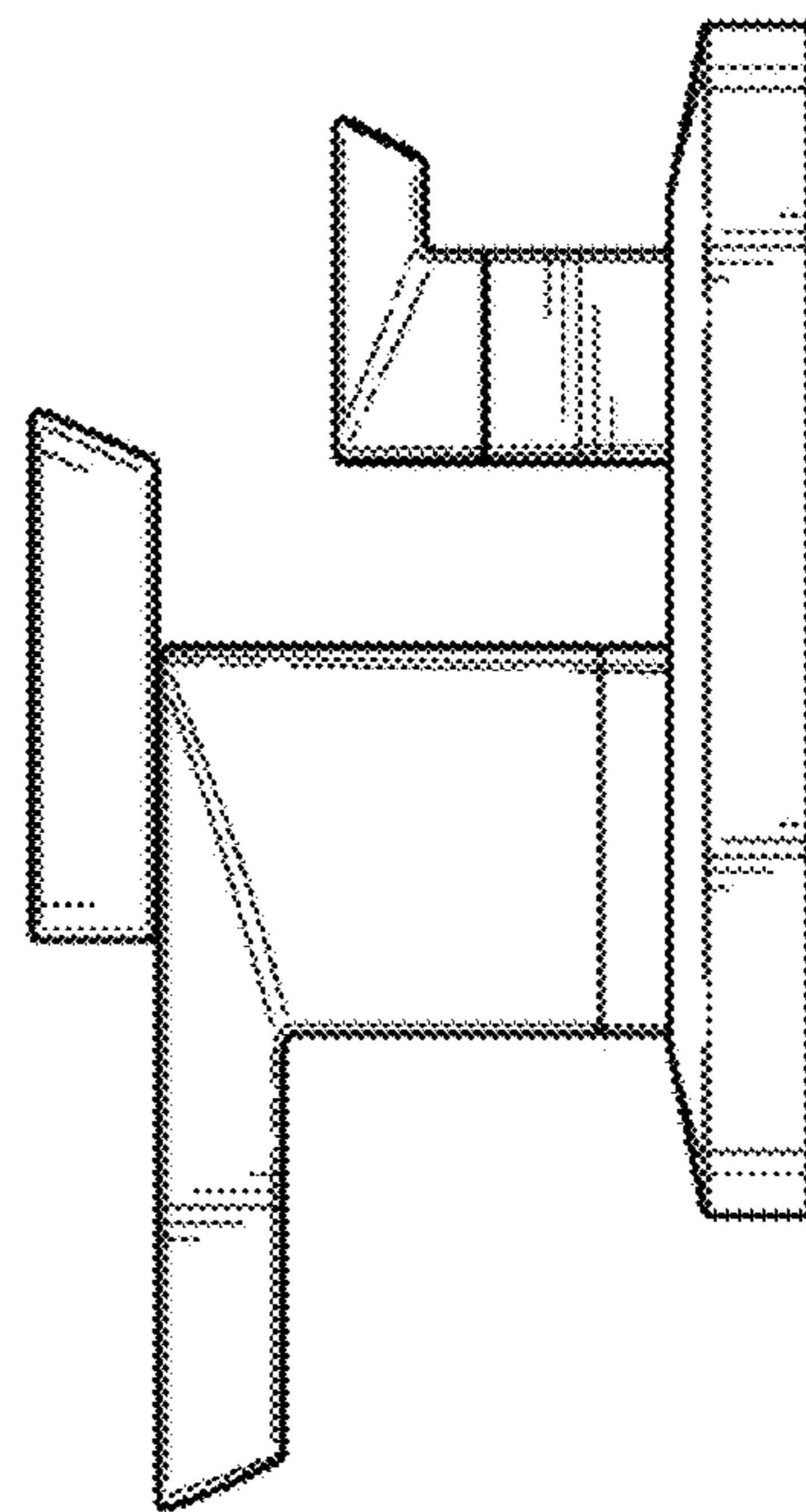


Fig-3

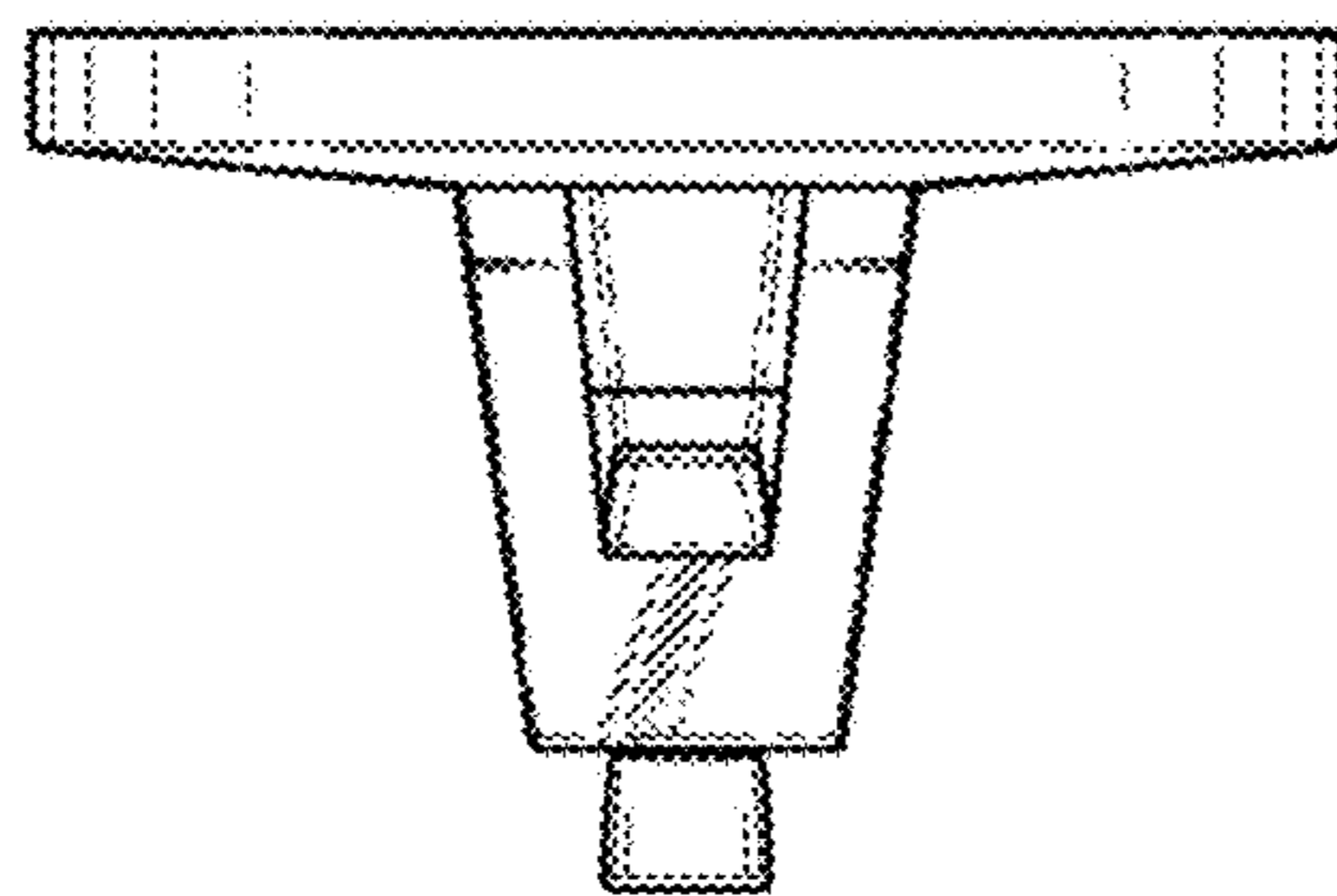


Fig-5

Fig-4

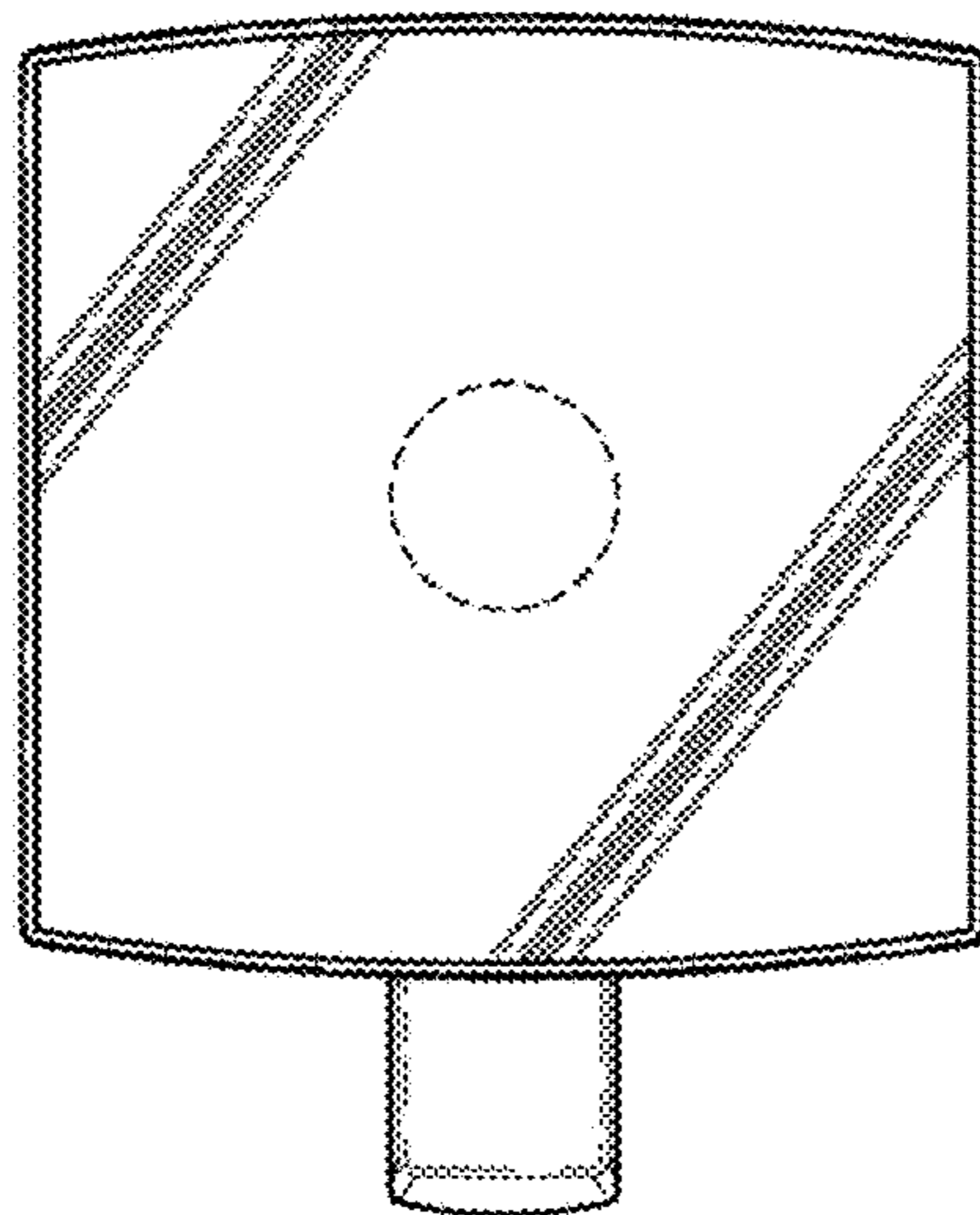
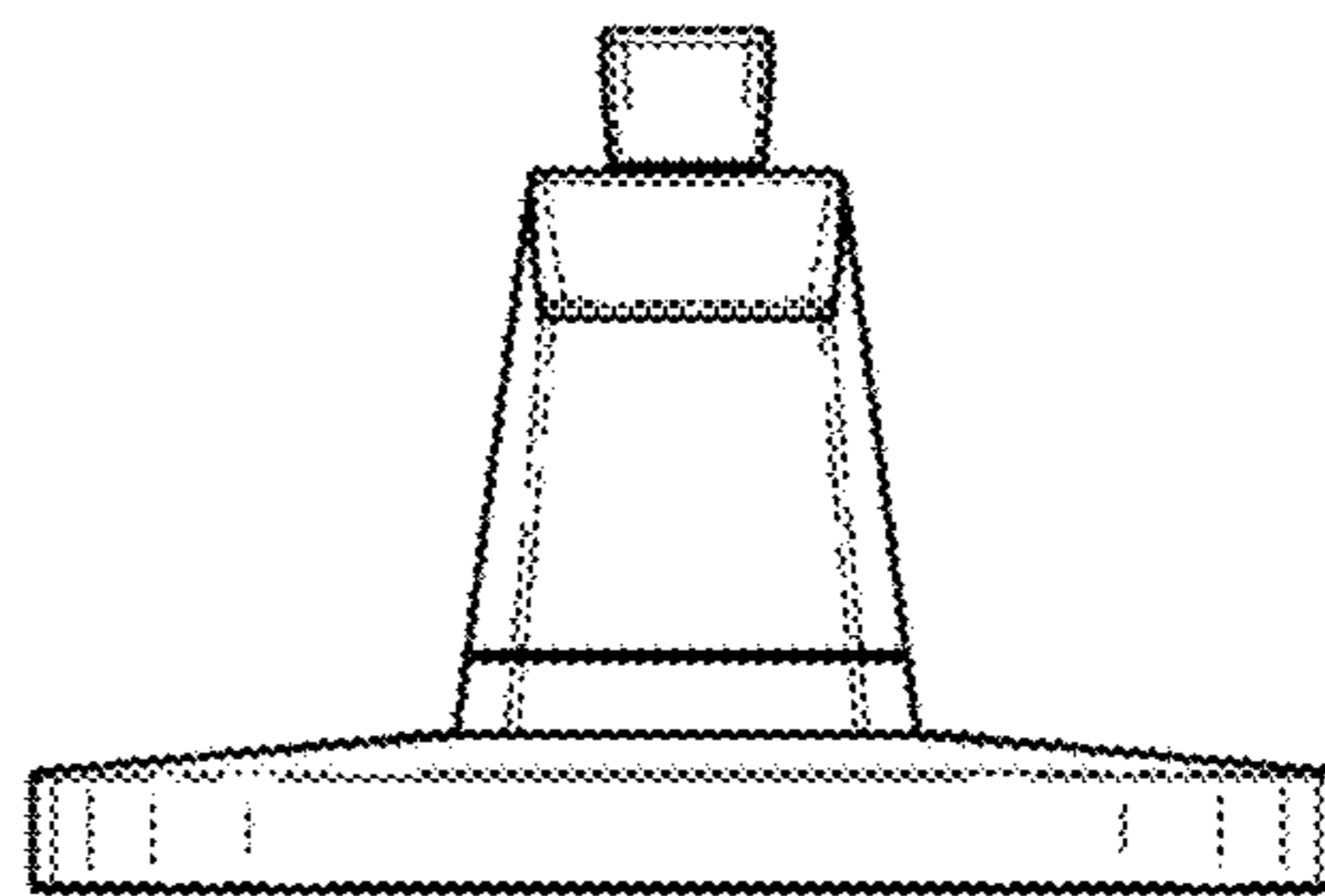


Fig-6