



US00D799643S

(12) **United States Design Patent**  
**Sieger**

(10) **Patent No.:** **US D799,643 S**

(45) **Date of Patent:** **\*\* Oct. 10, 2017**

(54) **SINK FAUCET**

(71) Applicant: **Aloys F. Dornbracht GmbH & Co.**  
**KG, Iserlohn (DE)**

(72) Inventor: **Michael Sieger, Sassenberg (DE)**

(73) Assignee: **Aloys F. Dornbracht GmbH & Co.**  
**KG, Iserlohn (DE)**

(\*\*) Term: **15 Years**

(21) Appl. No.: **29/566,409**

(22) Filed: **May 30, 2016**

(30) **Foreign Application Priority Data**

Dec. 8, 2015 (EM) ..... 002899989-0004

(51) **LOC (10) Cl.** ..... **23-01**

(52) **U.S. Cl.**  
USPC ..... **D23/239**

(58) **Field of Classification Search**  
USPC ..... D23/238-239, 242-243, 249-250, 252,  
D23/254-255, 257, 213; D8/107-108  
CPC ..... E03C 2001/0414; E03C 2001/0415; E03C  
2001/0417; Y10T 137/9464  
See application file for complete search history.

(56) **References Cited**

**U.S. PATENT DOCUMENTS**

D598,072 S \* 8/2009 Zetsche ..... D23/238  
D599,883 S \* 9/2009 Tippens ..... D23/223

D603,481 S \* 11/2009 Zetsche ..... D23/242  
D661,375 S \* 6/2012 Citterio ..... D23/252  
D662,182 S \* 6/2012 Thun ..... D23/238  
D713,014 S \* 9/2014 Schoenherr ..... D23/252  
D784,494 S \* 4/2017 Wang ..... D23/239

\* cited by examiner

*Primary Examiner* — Robert A Delehanty

(74) *Attorney, Agent, or Firm* — Von Rohrscheidt Patents

(57) **CLAIM**

The ornamental design for a sink faucet, as shown and described.

**DESCRIPTION**

The patent or application file contains at least one drawing executed in color. Copies of this patent or patent application publication with color drawing(s) will be provided by the Office upon request and payment of the necessary fee.

FIG. 1 illustrates a slanted front and right side view of the first embodiment of the sink faucet showing the new design. FIG. 2 illustrates a slanted front and left side view the sink faucet in FIG. 1.

FIG. 3 illustrates a right side view of the sink faucet in FIG. 1.

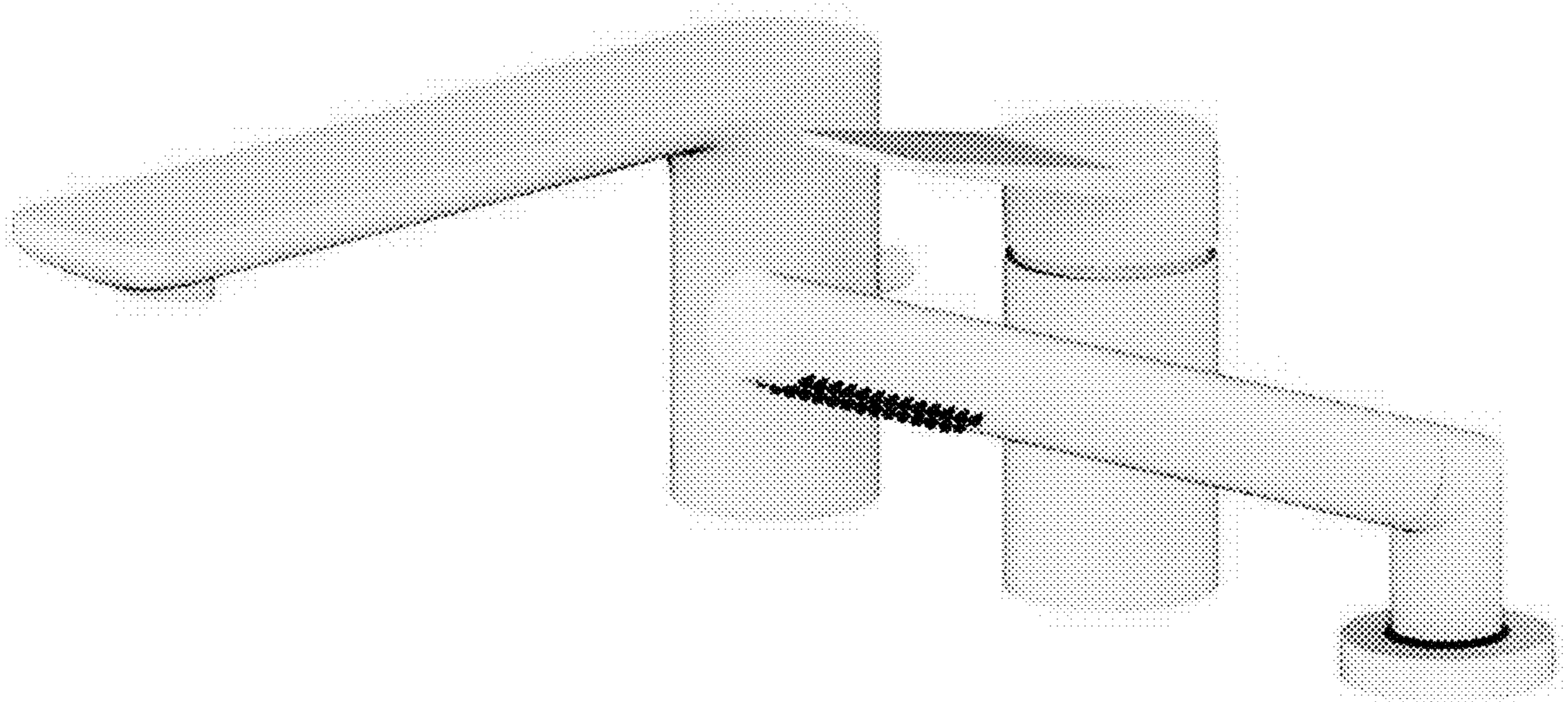
FIG. 4 illustrates a left side view of the sink faucet in FIG. 1.

FIG. 5 illustrates a front view of the sink faucet in FIG. 1.

FIG. 6 illustrates a rear view of the sink faucet in FIG. 1; and,

FIG. 7 illustrates a top view of the sink faucet in FIG. 1.

**1 Claim, 7 Drawing Sheets**  
**(7 of 7 Drawing Sheet(s) Filed in Color)**



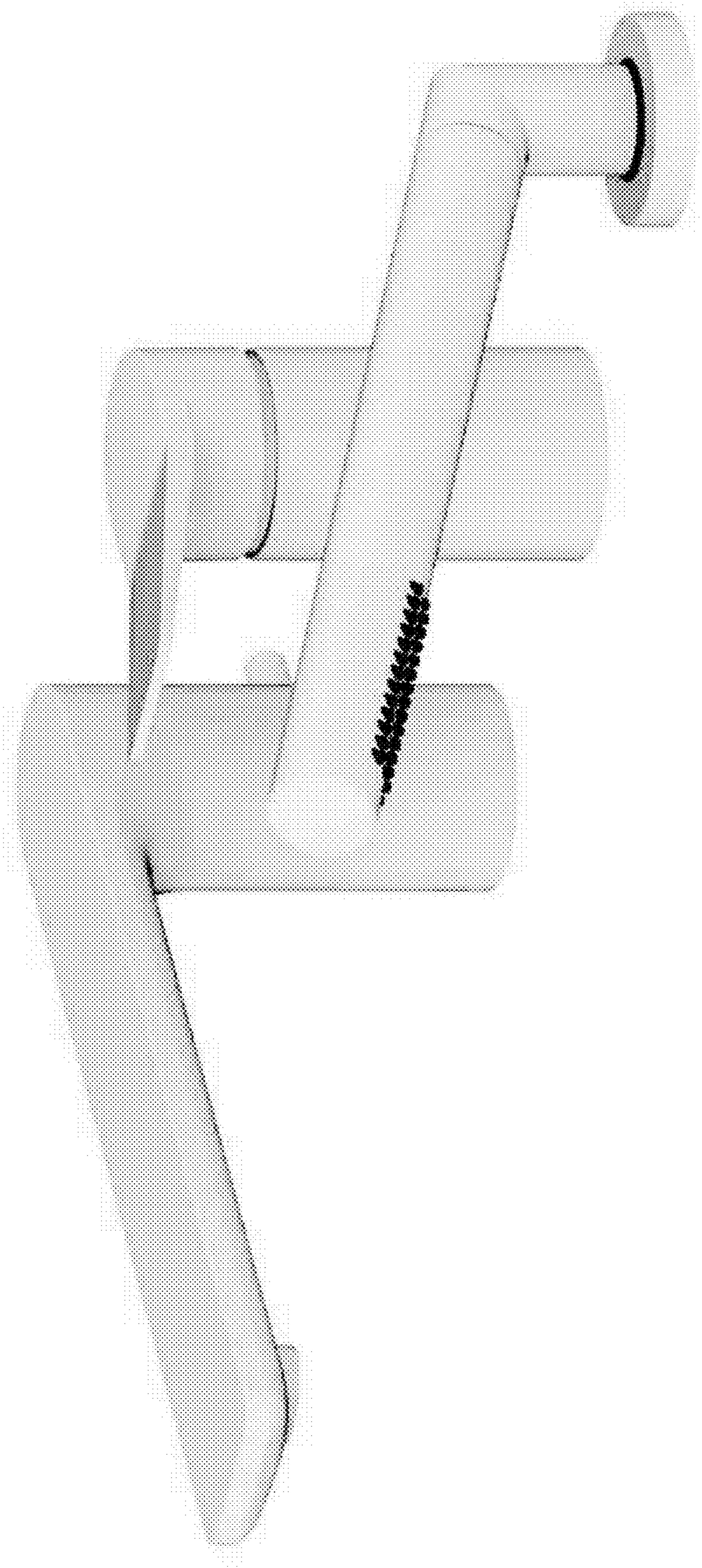


FIG. 1



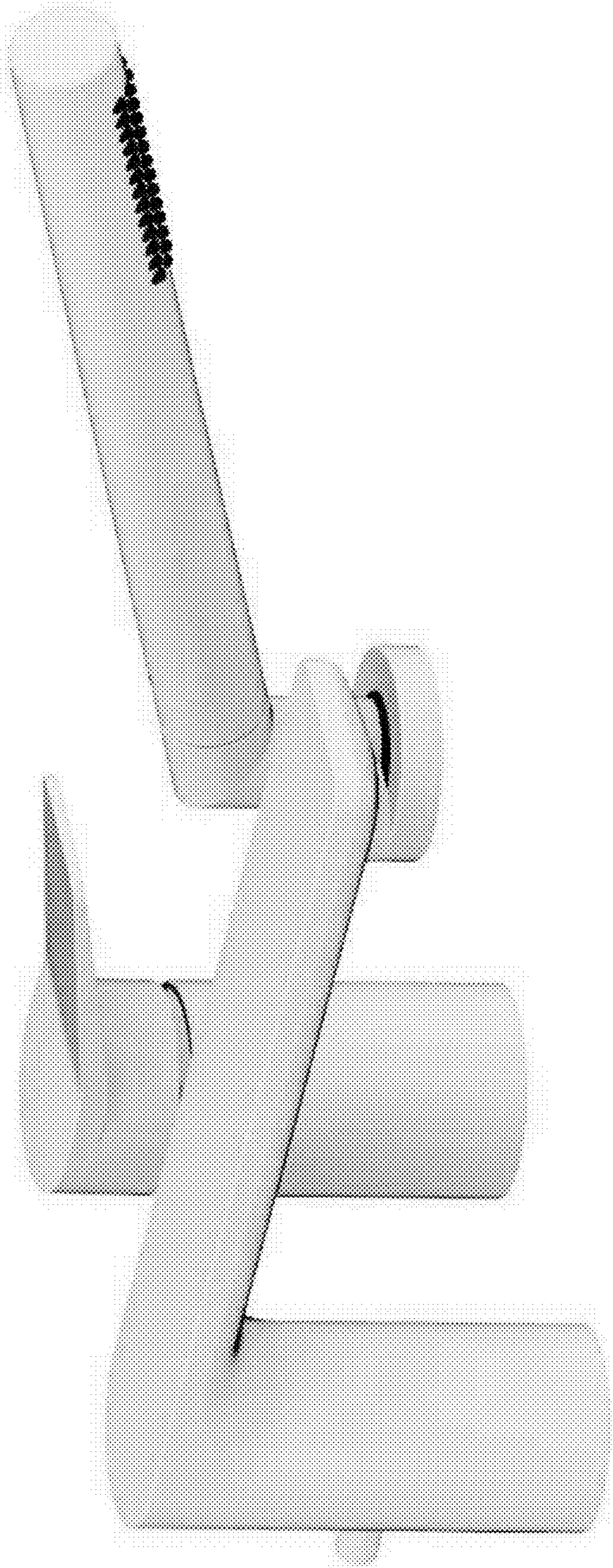


FIG. 2

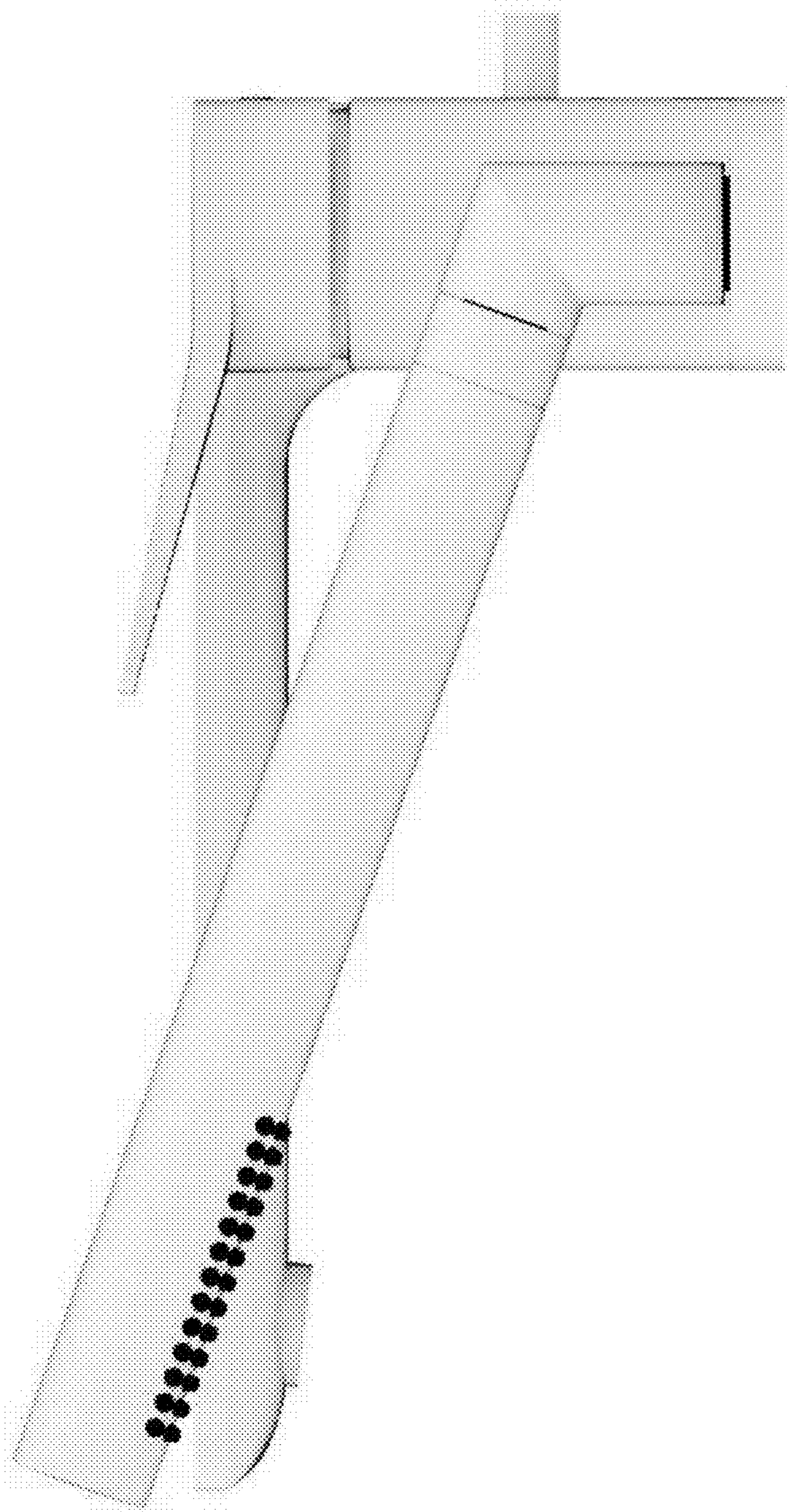


FIG. 3



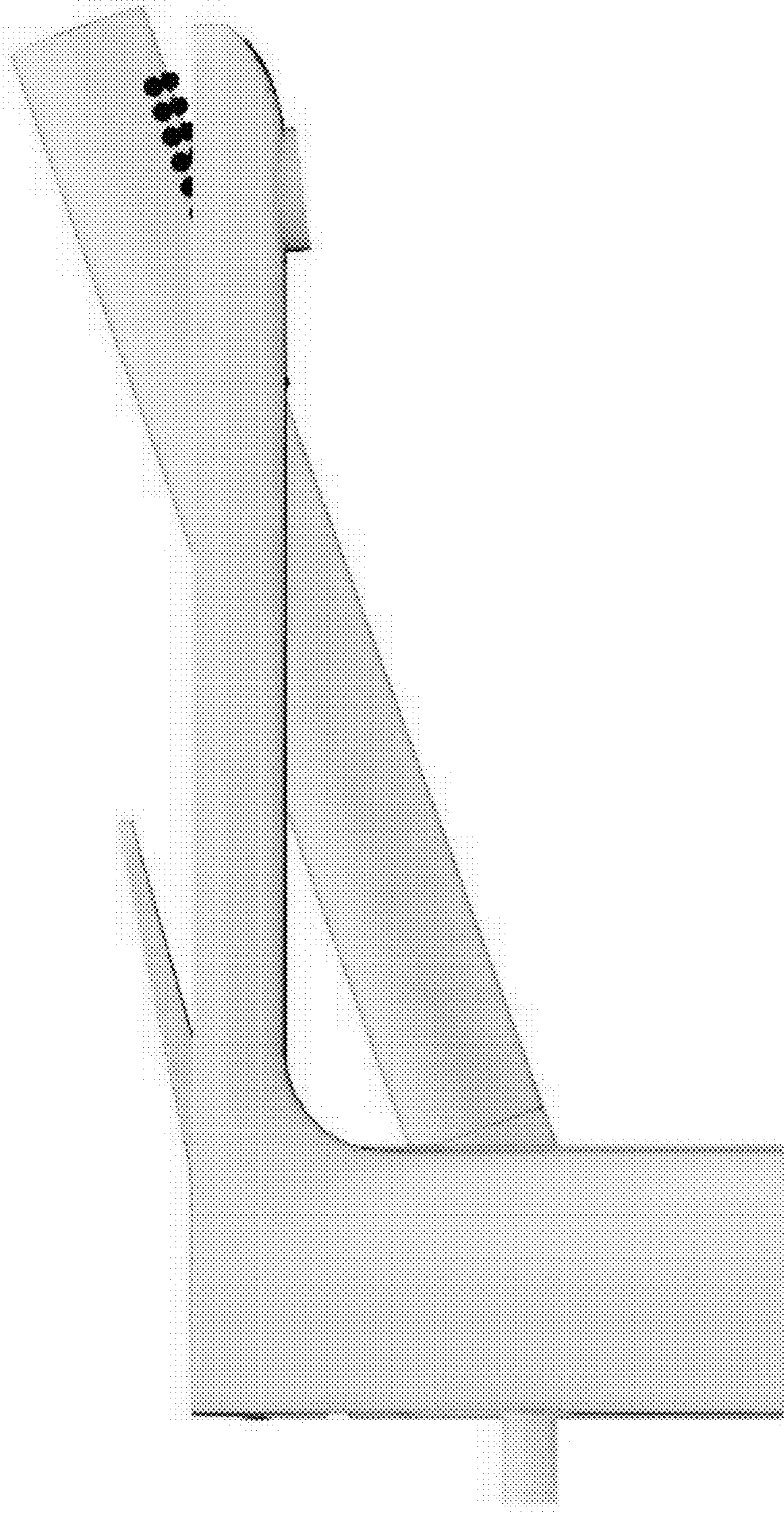


FIG. 4

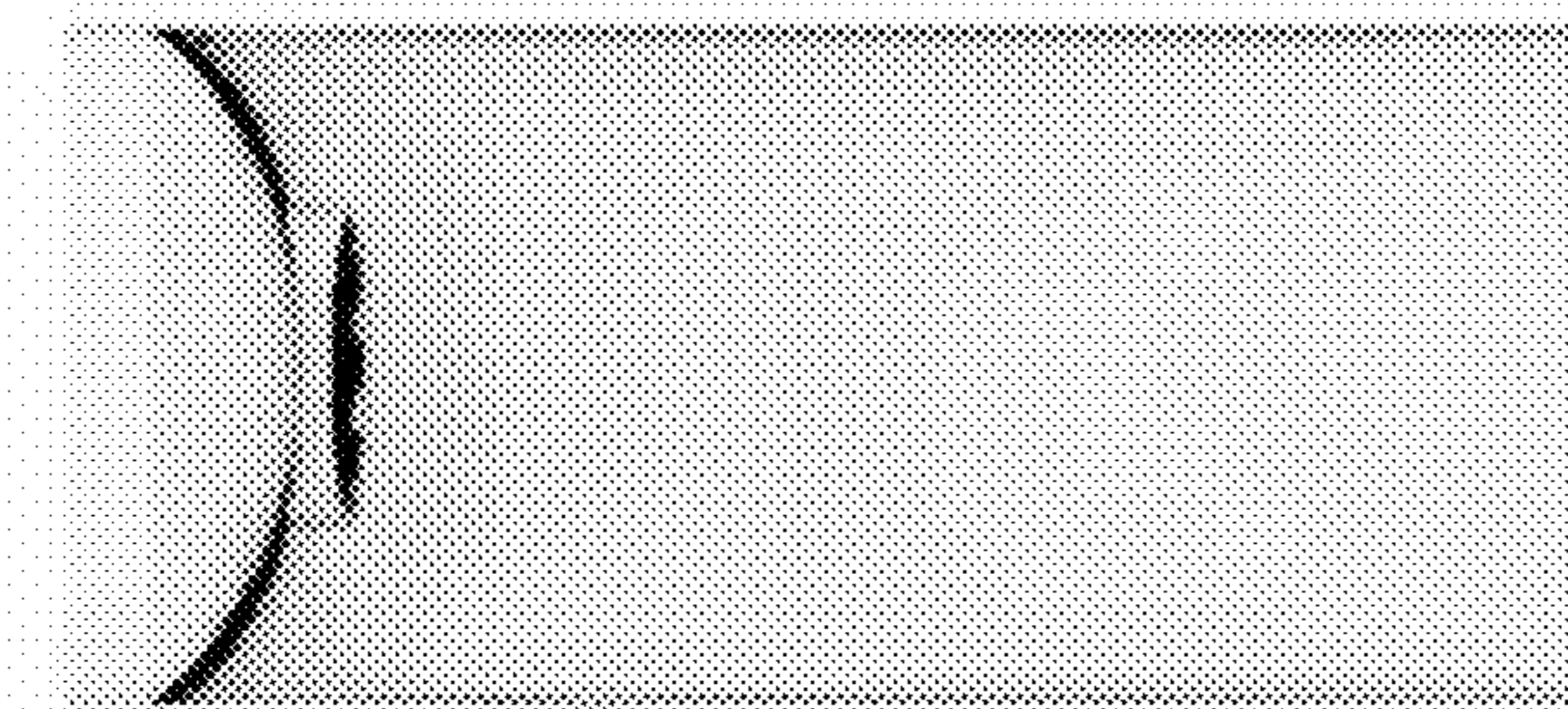
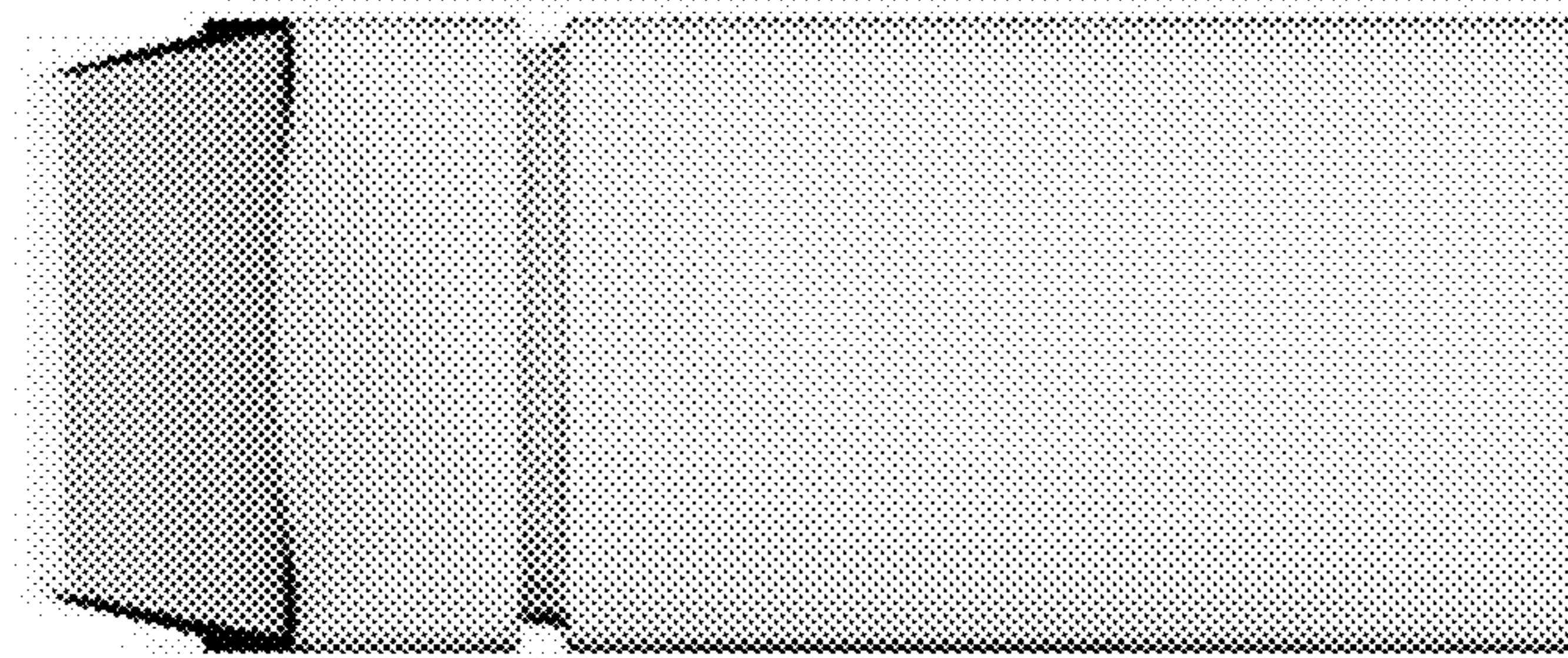
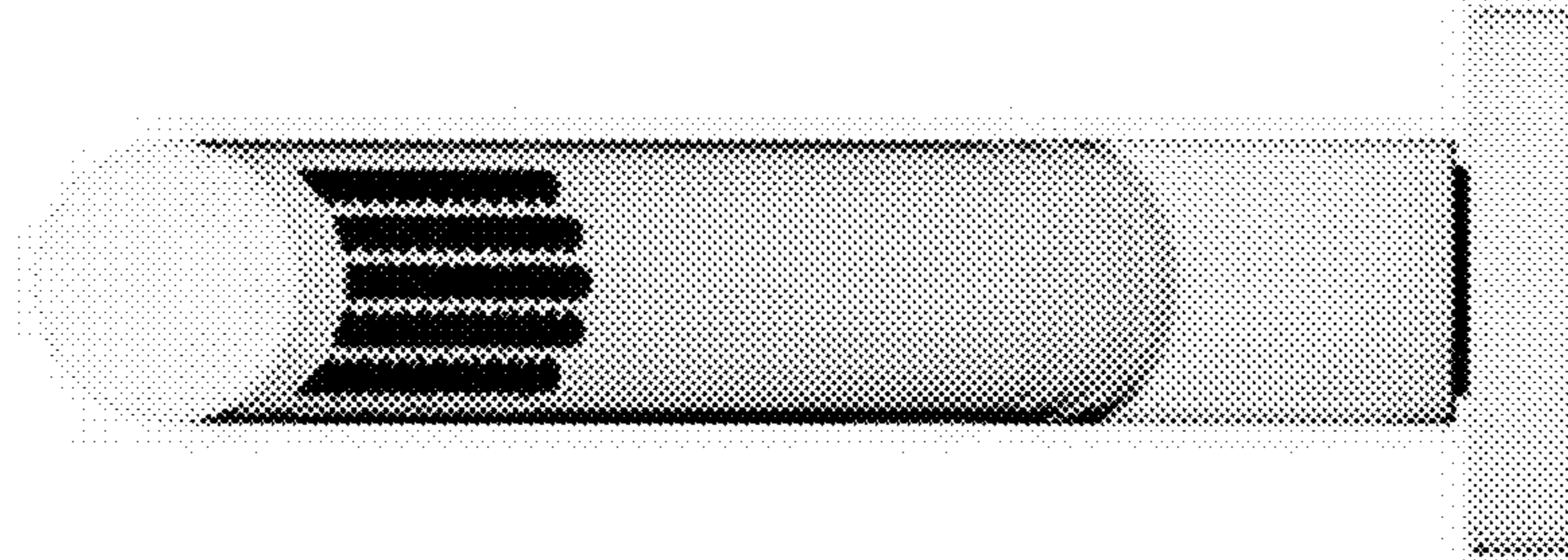


FIG. 5

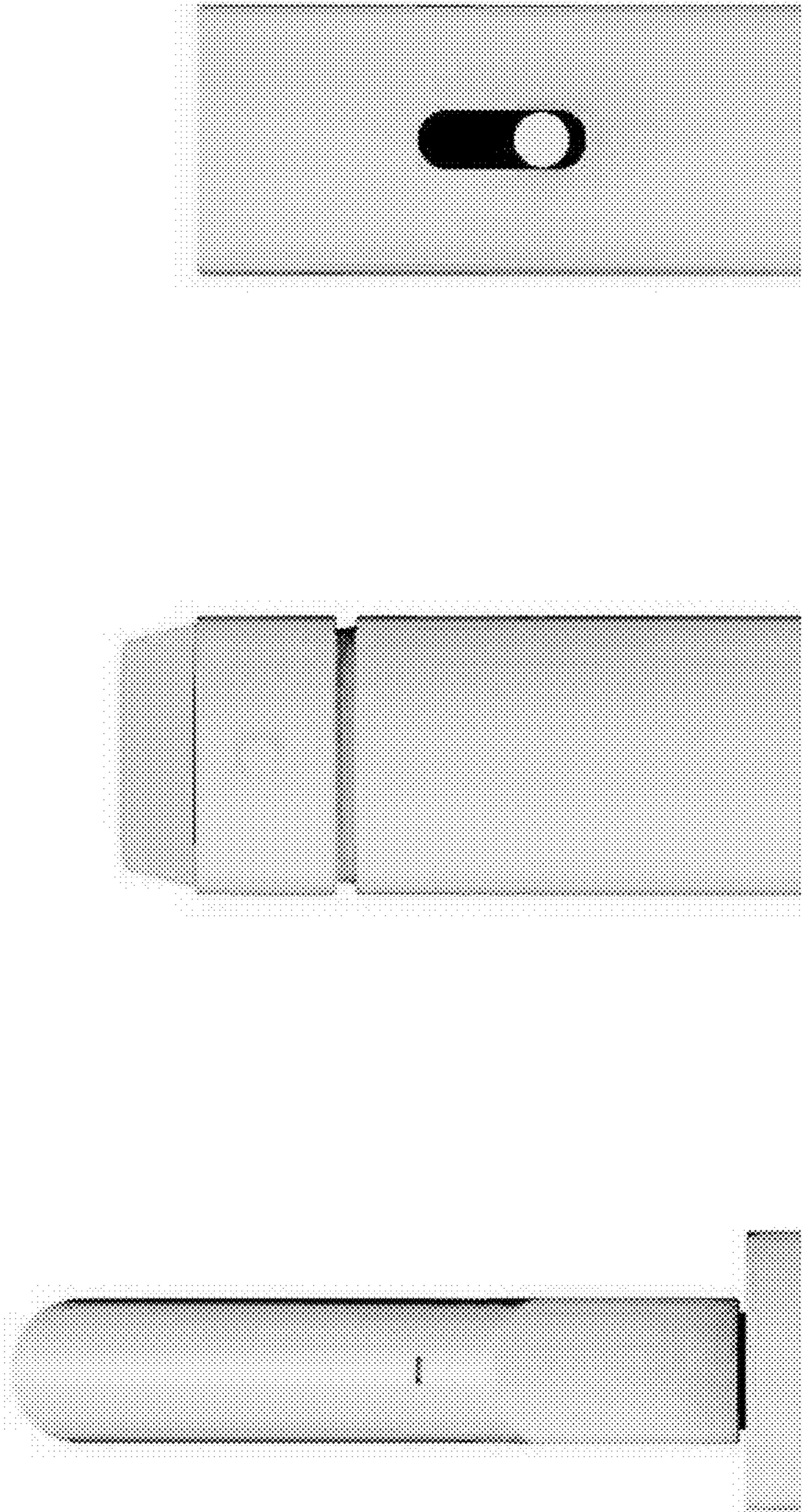


FIG. 6



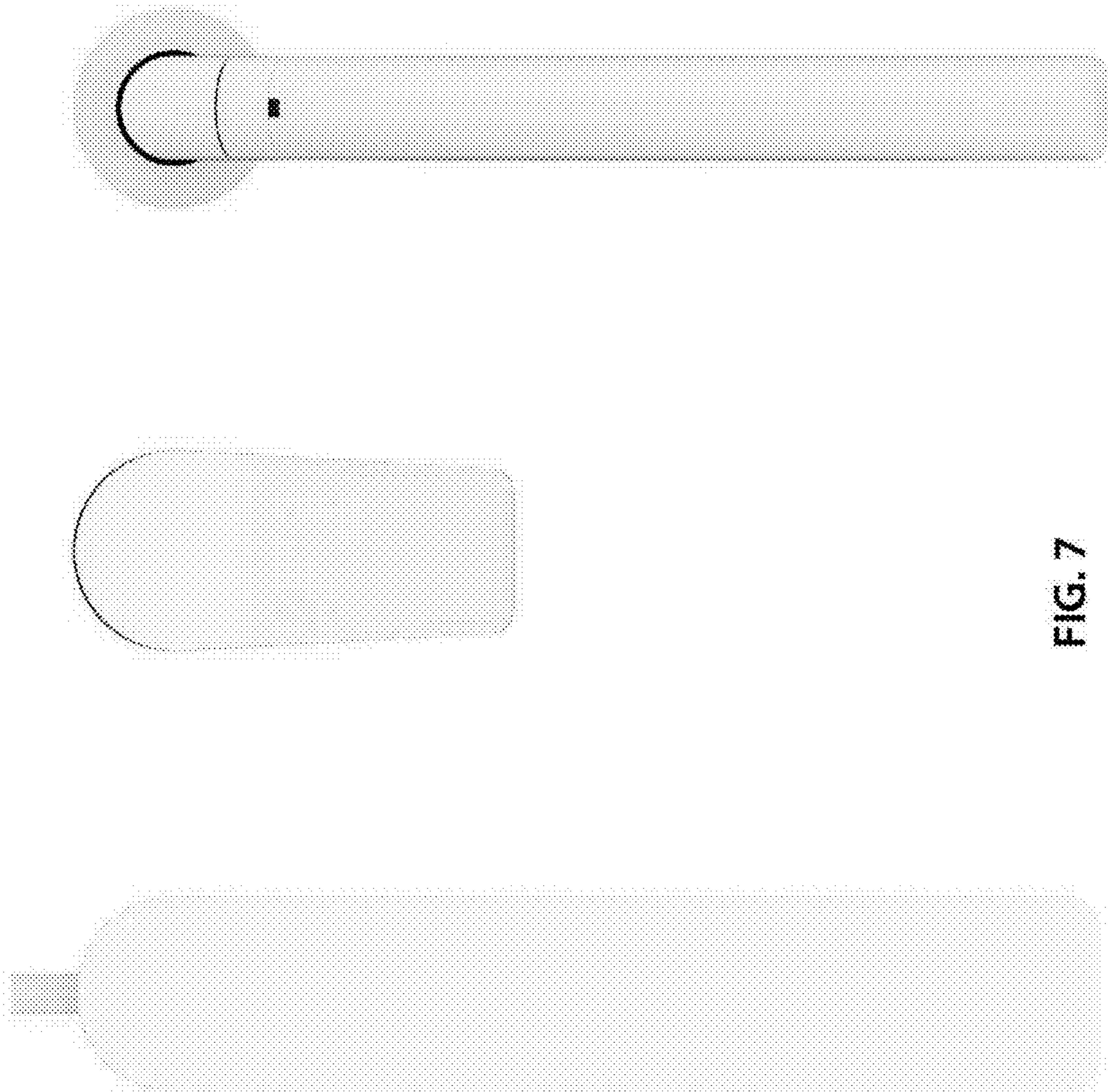


FIG. 7