



US00D799640S

(12) **United States Design Patent**  
**Satake et al.**

(10) **Patent No.:** **US D799,640 S**

(45) **Date of Patent:** **\*\* Oct. 10, 2017**

(54) **EXPANSION VALVE**

(71) Applicant: **TGK CO., LTD.**, Tokyo (JP)

(72) Inventors: **Ryosuke Satake**, Tokyo (JP); **Takeshi Kaneko**, Tokyo (JP)

(73) Assignee: **TGK CO., LTD.**, Tokyo (JP)

(\*\*) Term: **15 Years**

(21) Appl. No.: **29/579,433**

(22) Filed: **Sep. 29, 2016**

(30) **Foreign Application Priority Data**

Apr. 1, 2016 (JP) ..... 2016-007368

(51) **LOC (10) Cl.** ..... **23-01**

(52) **U.S. Cl.**  
USPC ..... **D23/233**

(58) **Field of Classification Search**  
USPC ..... D23/233-249; 236/92 B, 99 R; 62/222, 62/115, 210, 527, 528, 299; 137/15.04, 137/15.08, 515, 7, 859, 843, 332, 529, 137/533.17, 540, 54, 543.17, 512.1, 468; 251/129.01, 331, 333, 151; 239/585.1  
CPC ..... F25B 41/062; F25B 2600/2513; F25B 2341/068; F25B 41/06; F16K 31/0675; F16K 27/029; F16K 27/048  
See application file for complete search history.

(56) **References Cited**

**U.S. PATENT DOCUMENTS**

- 5,467,611 A \* 11/1995 Cummings ..... B60H 1/00571 251/151
- D413,373 S \* 8/1999 Watanabe ..... D23/233
- 6,241,157 B1 \* 6/2001 Yano ..... F25B 41/062 236/92 B
- D647,597 S \* 10/2011 Kobayashi ..... D23/233
- D649,222 S 11/2011 Kobayashi et al. .... D23/233
- D683,815 S \* 6/2013 Kobayashi ..... D23/233
- D683,816 S 6/2013 Kobayashi et al. .... D23/233

- D683,819 S 6/2013 Watanabe et al. .... D23/233
- D701,590 S 3/2014 Kaneko ..... D23/233
- 8,667,984 B2 \* 3/2014 Kobayashi ..... F25B 41/062 137/468
- D712,010 S 8/2014 Okutsu et al. .... D23/233
- D754,818 S \* 4/2016 Watanabe ..... D23/233
- D782,009 S \* 3/2017 Watanabe ..... D23/233

(Continued)

**FOREIGN PATENT DOCUMENTS**

JP 1431241 1/2012

**OTHER PUBLICATIONS**

Japanese Office Action, (English and Japanese) Notification of Reason(s) for Refusal, TGK 16118-2, Expansion Valve, Dispatch No. 040755, Dispatch Date Aug. 23, 2016.

*Primary Examiner* — Cynthia Ramirez

*Assistant Examiner* — Gino Colan

(74) *Attorney, Agent, or Firm* — Martine Penilla Group, LLP

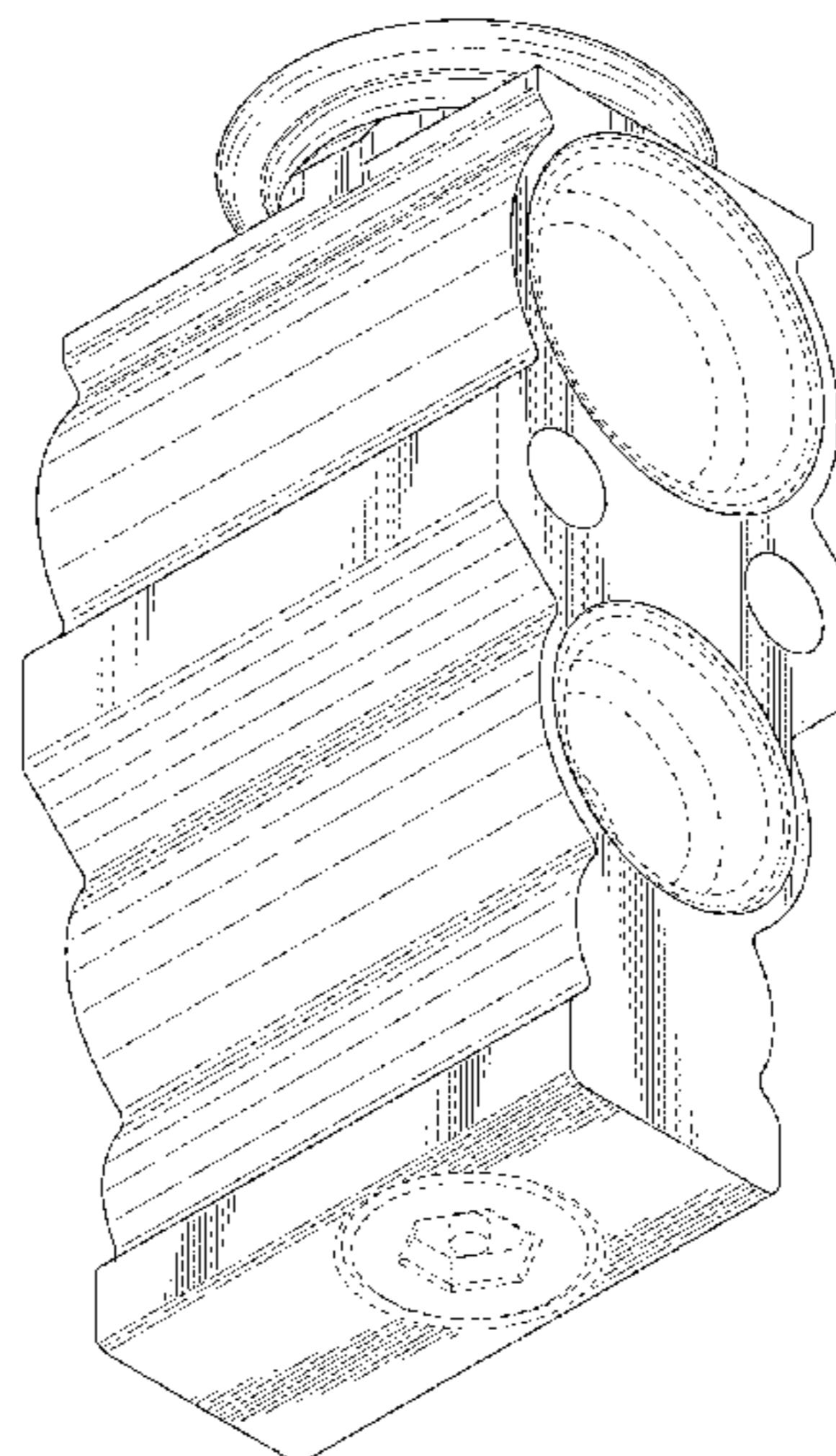
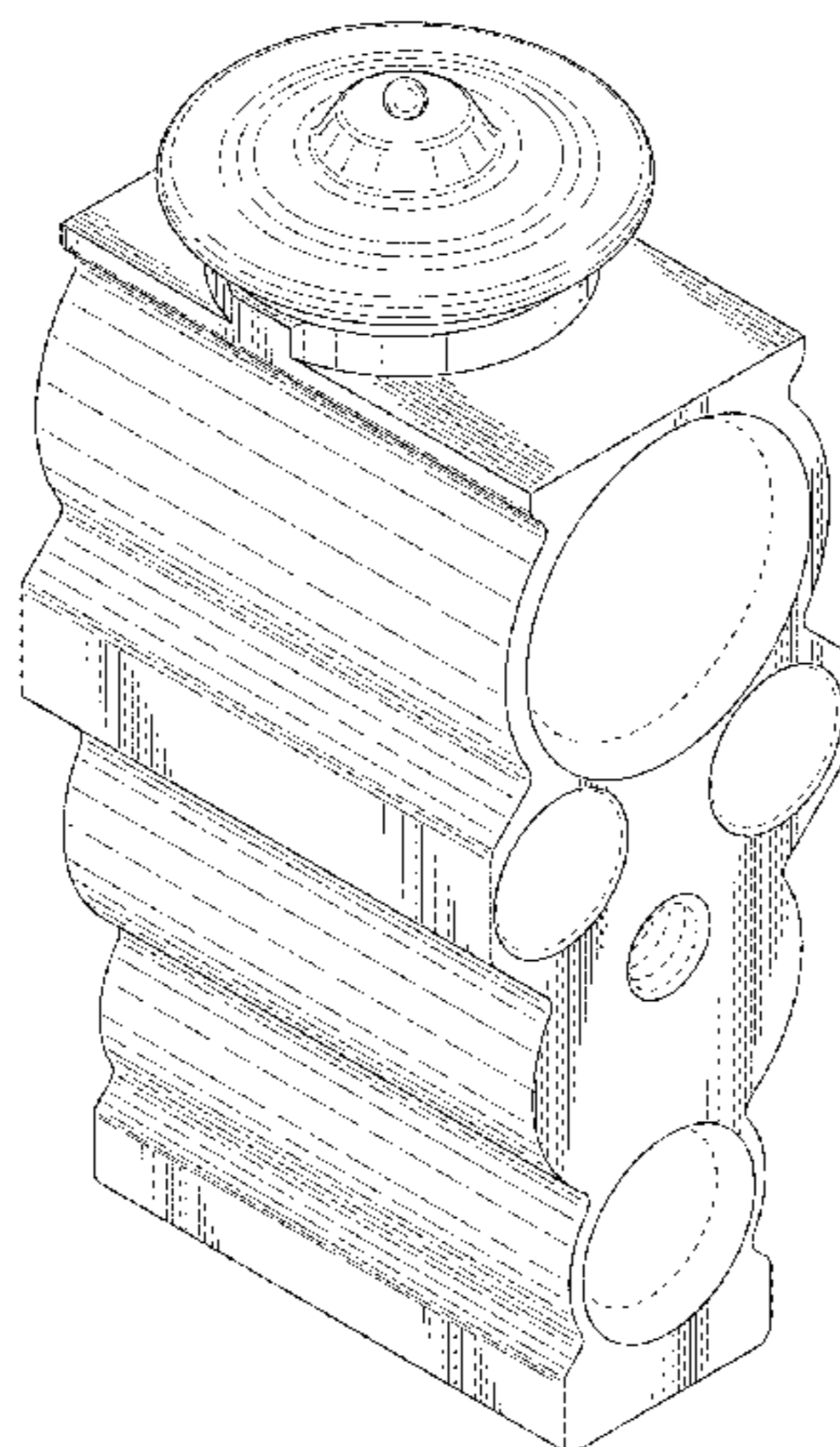
(57) **CLAIM**

The ornamental design for an expansion valve, as shown and described.

**DESCRIPTION**

FIG. 1 is a front perspective view of an expansion valve showing our new design;  
FIG. 2 is a rear perspective view thereof;  
FIG. 3 is a front view thereof;  
FIG. 4 is a rear view thereof;  
FIG. 5 is a top view thereof;  
FIG. 6 is a bottom view thereof; and,  
FIG. 7 is a left side view thereof, the right side view being a mirror image thereof.  
The broken lines are for the purpose of illustrating portions of the expansion valve and form no part of the claimed design.

**1 Claim, 7 Drawing Sheets**



(56)

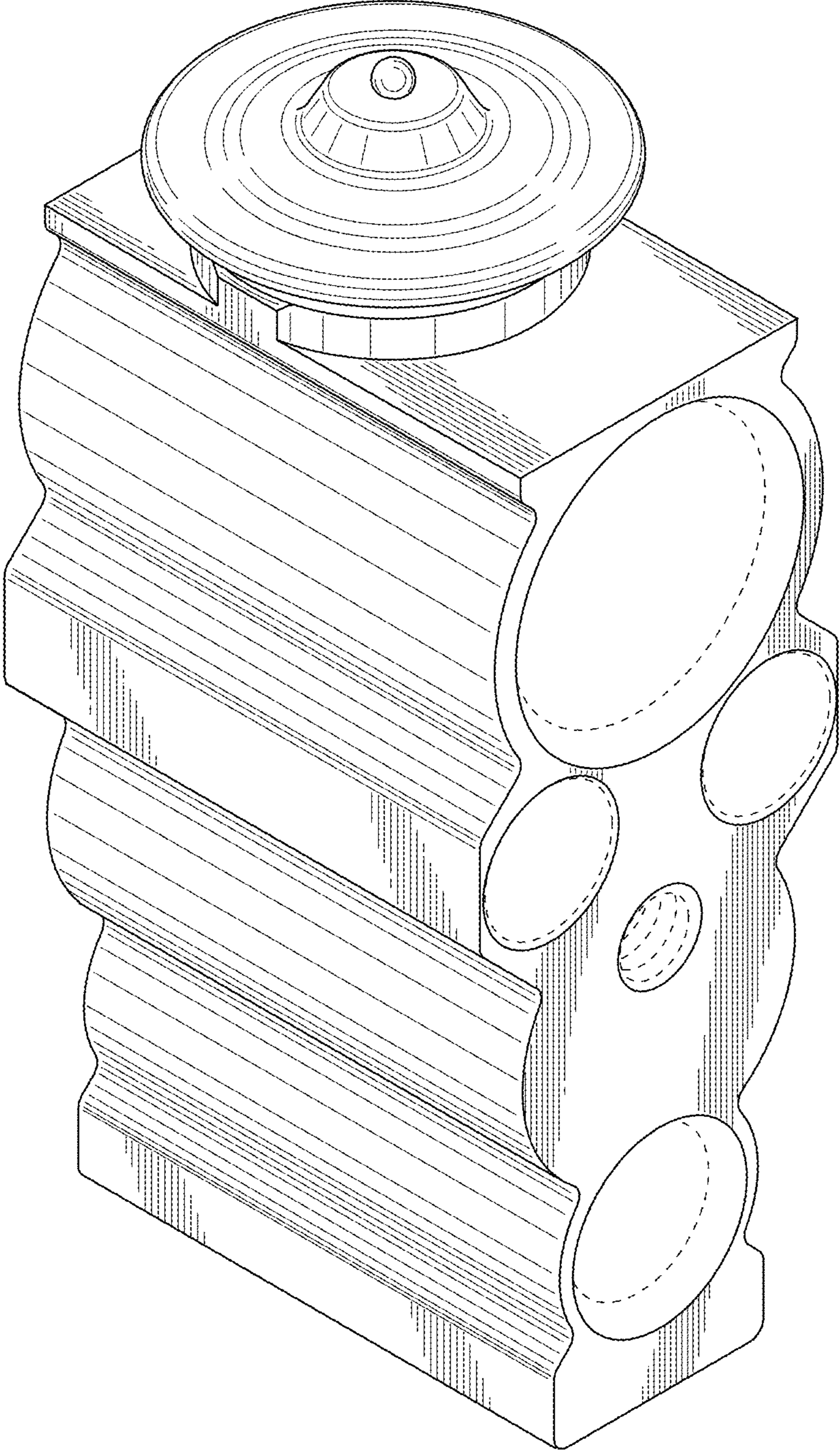
**References Cited**

U.S. PATENT DOCUMENTS

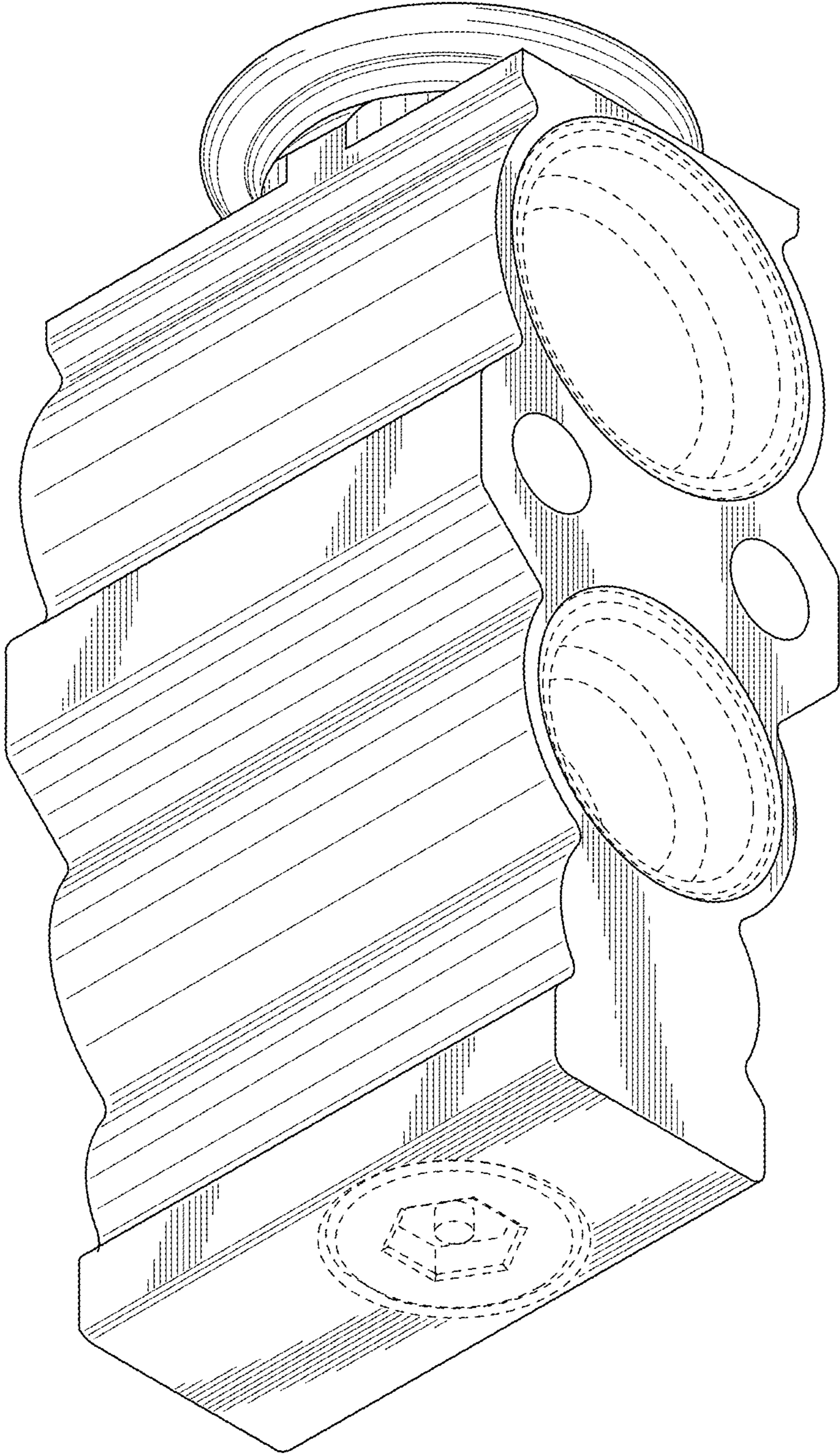
D782,010 S \* 3/2017 Watanabe ..... D23/233  
2012/0192970 A1\* 8/2012 Kobayashi ..... F25B 41/062  
137/468  
2013/0247609 A1\* 9/2013 Kaneko ..... F25B 41/062  
62/528

\* cited by examiner

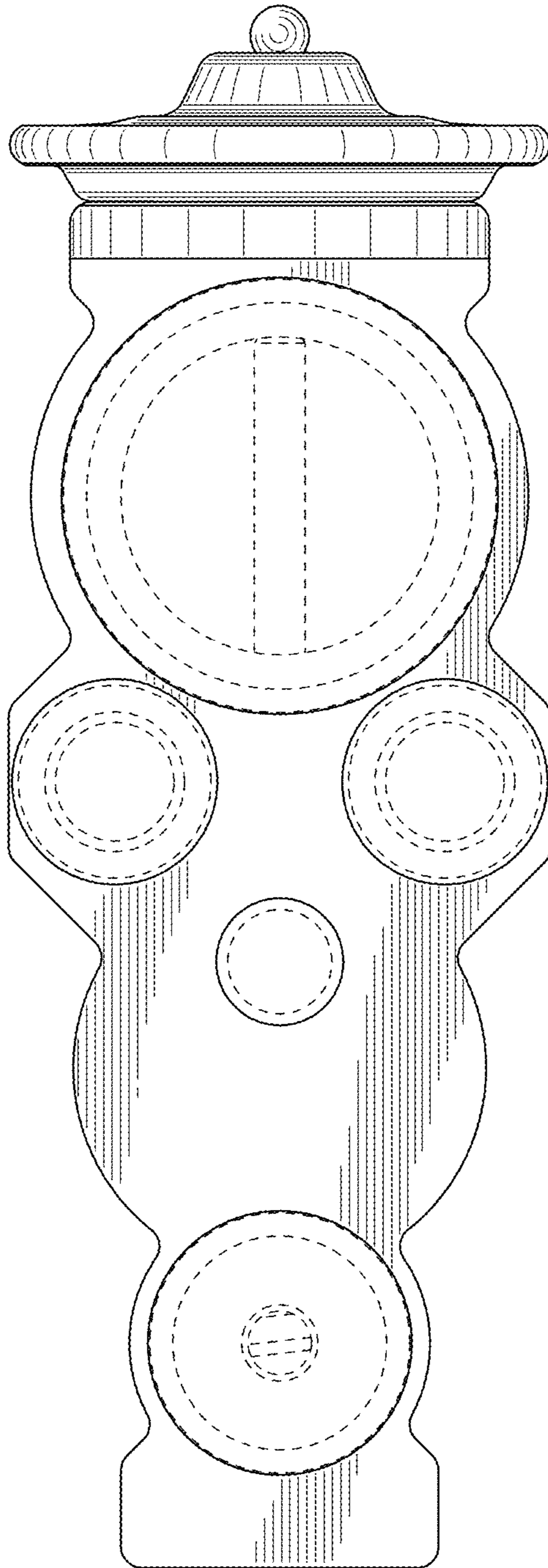
**FIG. 1**



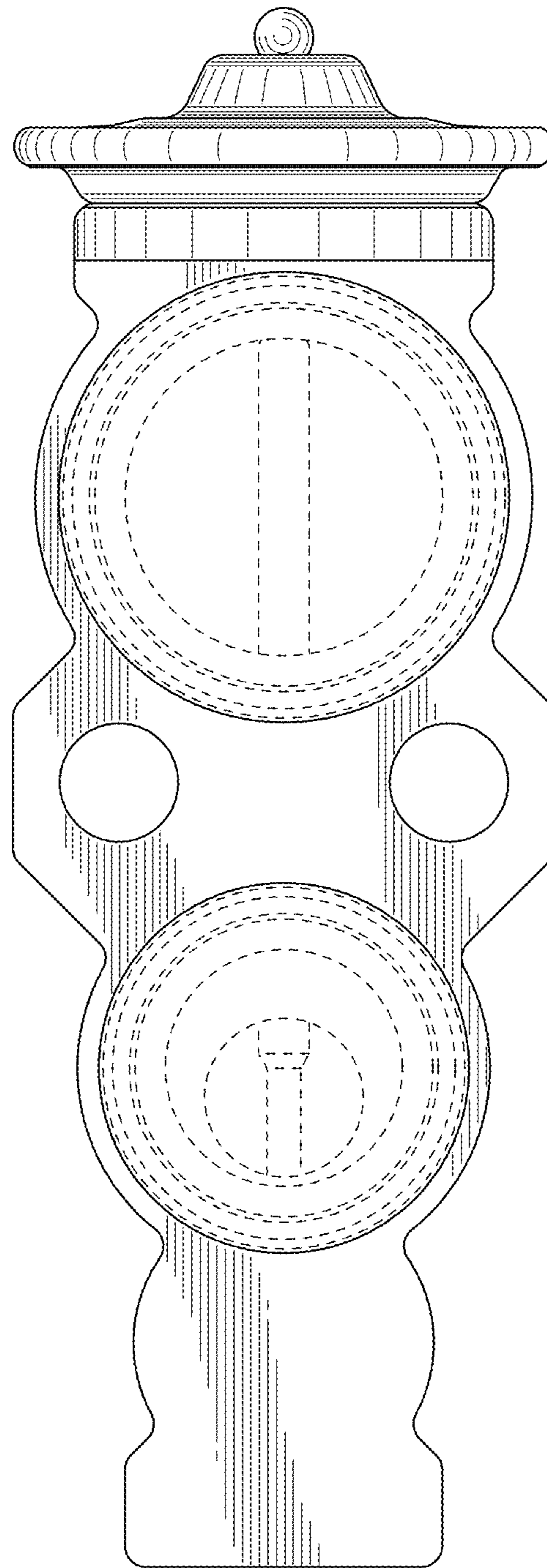
**FIG. 2**



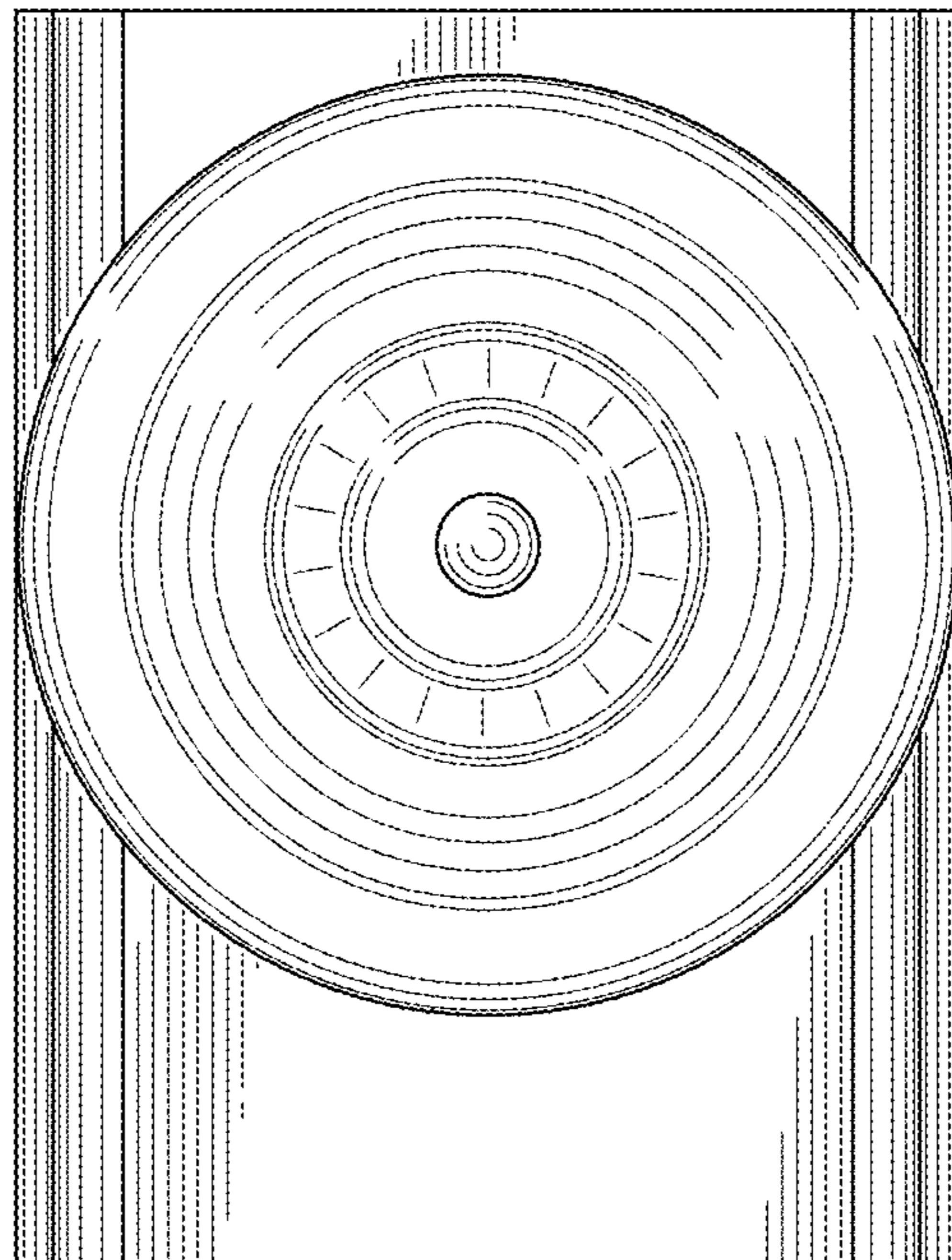
**FIG. 3**



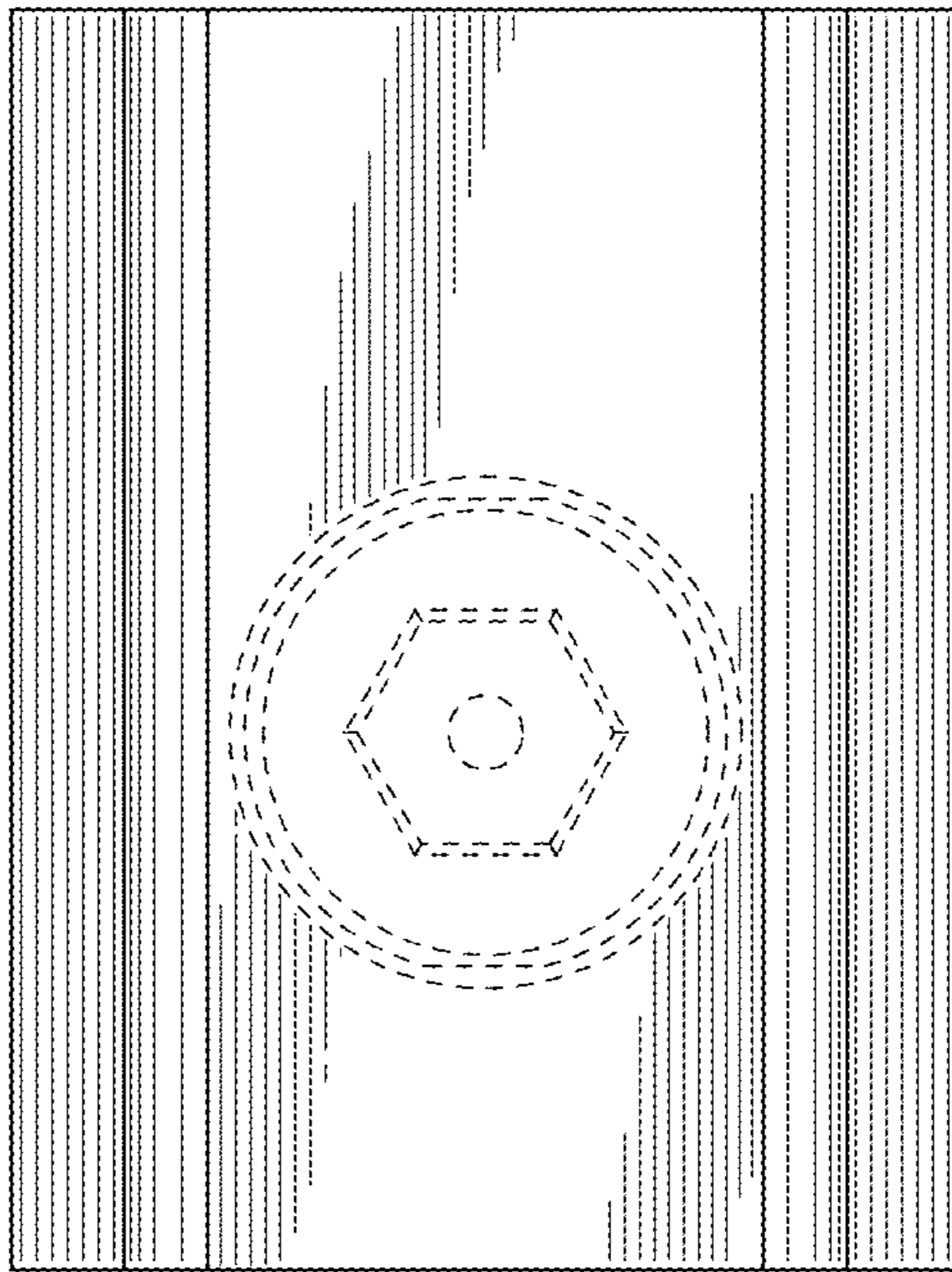
**FIG. 4**



***FIG. 5***



**FIG. 6**





**FIG. 7**

