



US00D799639S

(12) **United States Design Patent** (10) **Patent No.:** **US D799,639 S**
Carter (45) **Date of Patent:** **** Oct. 10, 2017**

- (54) **VALVE BODY**
- (71) Applicant: **Reliance Worldwide Corporation (Aust.) Pty. Ltd., Melbourne (AU)**
- (72) Inventor: **Austin Carter, Melbourne (AU)**
- (73) Assignee: **Reliance Worldwide Corporation (Aust.) Pty. Ltd., Melbourne (AU)**
- (**) Term: **15 Years**
- (21) Appl. No.: **29/572,551**
- (22) Filed: **Jul. 28, 2016**
- (51) **LOC (10) Cl.** **23-01**
- (52) **U.S. Cl.**
 USPC **D23/233**
- (58) **Field of Classification Search**
 USPC D23/233-249, 266; 137/625, 861, 15.21, 137/315.21, 315.09, 606, 383, 561 A, 137/625.47, 505.36, 613, 56, 513.3, 271; D15/5
 CPC B60K 15/077; F24D 3/1066
 See application file for complete search history.

- 8,322,755 B2 12/2012 Kluss et al.
 8,327,871 B1 12/2012 Franklin et al.
 D675,715 S * 2/2013 McKenzie D15/5
 D676,940 S 2/2013 Kluss et al.
 D676,941 S 2/2013 Kluss et al.
 D676,942 S 2/2013 Kluss et al.
 D676,943 S 2/2013 Kluss et al.
 D693,429 S 11/2013 Thibodeaux, Jr.
 D722,362 S 2/2015 Kluss et al.
 D722,363 S 2/2015 Kluss et al.
 D728,755 S * 5/2015 Nasu D23/266
 D746,951 S 1/2016 Gledhill et al.
 D746,952 S 1/2016 Gledhill et al.
 D746,953 S 1/2016 Gledhill et al.
 D746,954 S 1/2016 Gledhill et al.
 D746,958 S 1/2016 Gledhill et al.
 D747,361 S 1/2016 Franklin

(Continued)

Primary Examiner — Cynthia Ramirez
Assistant Examiner — Gino Colan
 (74) *Attorney, Agent, or Firm* — Bush Intellectual Property Law; Kenneth M. Bush

(57) **CLAIM**

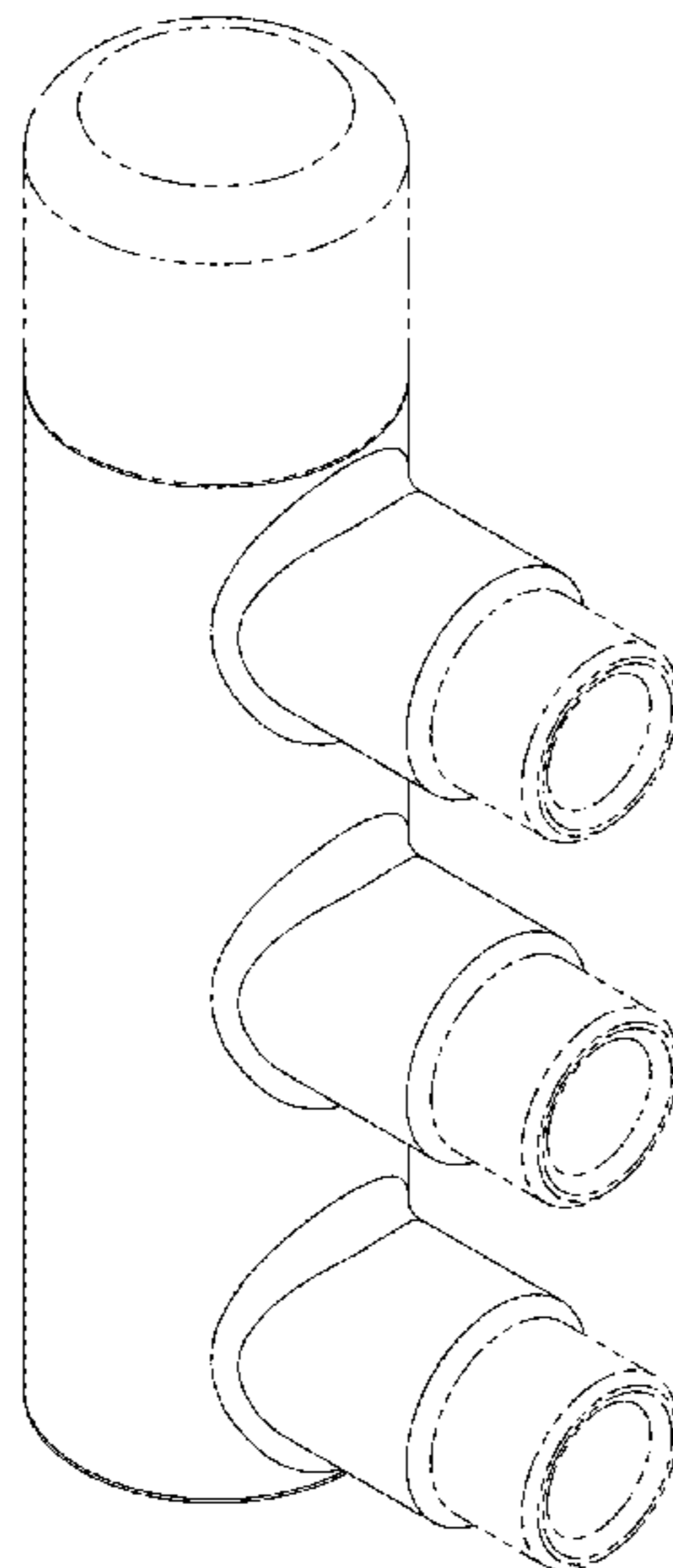
I claim the ornamental design for a valve body, as shown and described.

DESCRIPTION

FIG. 1 is a front elevation view of a valve body showing my new design;
 FIG. 2 is a rear elevation view thereof;
 FIG. 3 is a left side elevation view thereof;
 FIG. 4 is a right side elevation view thereof;
 FIG. 5 is a bottom plan view thereof, shown in a larger scale;
 FIG. 6 is a top plan view thereof, shown in a larger scale;
 and,
 FIG. 7 is a perspective view thereof.
 The broken lines shown in the drawings represent portions of the valve body that form no part of the claimed design.

1 Claim, 7 Drawing Sheets

- (56) **References Cited**
- U.S. PATENT DOCUMENTS
- 5,360,034 A * 11/1994 Der Manuelian B60K 15/077 123/514
 5,474,102 A * 12/1995 Lopez F16L 41/03 137/271
 5,950,575 A * 9/1999 Simons F24D 3/1066 122/511
 6,363,965 B1 * 4/2002 Carmack F24D 3/1066 137/513.3
 D488,543 S * 4/2004 Fulcher D23/213
 D545,406 S * 6/2007 Surinak D23/266
 7,509,927 B2 * 3/2009 Mukomilow F24D 3/1066 122/235.15



(56)

References Cited

U.S. PATENT DOCUMENTS

| | | | |
|-----------------|--------|-----------------|---------|
| D747,444 S | 1/2016 | Gledhill et al. | |
| 9,228,681 B2 | 1/2016 | Kluss | |
| D751,673 S | 3/2016 | Gledhill et al. | |
| D751,674 S | 3/2016 | Gledhill et al. | |
| D751,675 S | 3/2016 | Gledhill et al. | |
| D756,494 S | 5/2016 | Gledhill et al. | |
| D767,736 S * | 9/2016 | Nasu | D23/266 |
| 2016/0018010 A1 | 1/2016 | Forrestal | |
| 2016/0033065 A1 | 2/2016 | Graham et al. | |

* cited by examiner

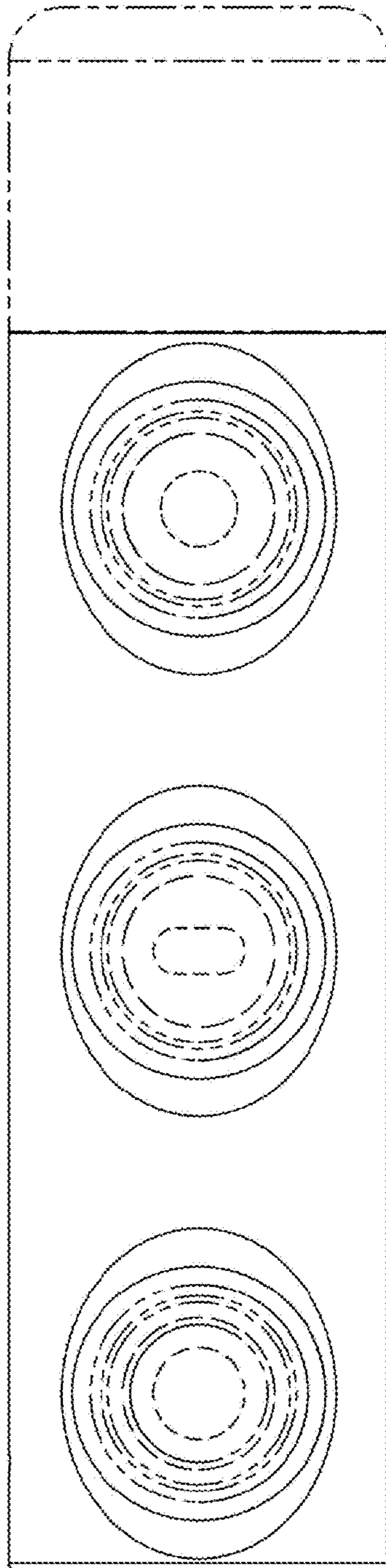


FIG. 1

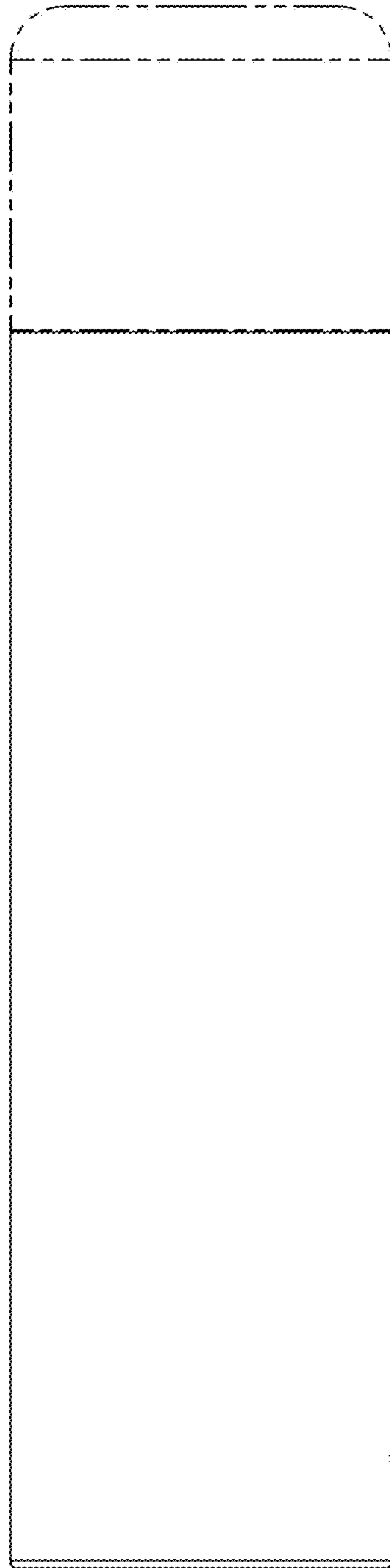


FIG. 2

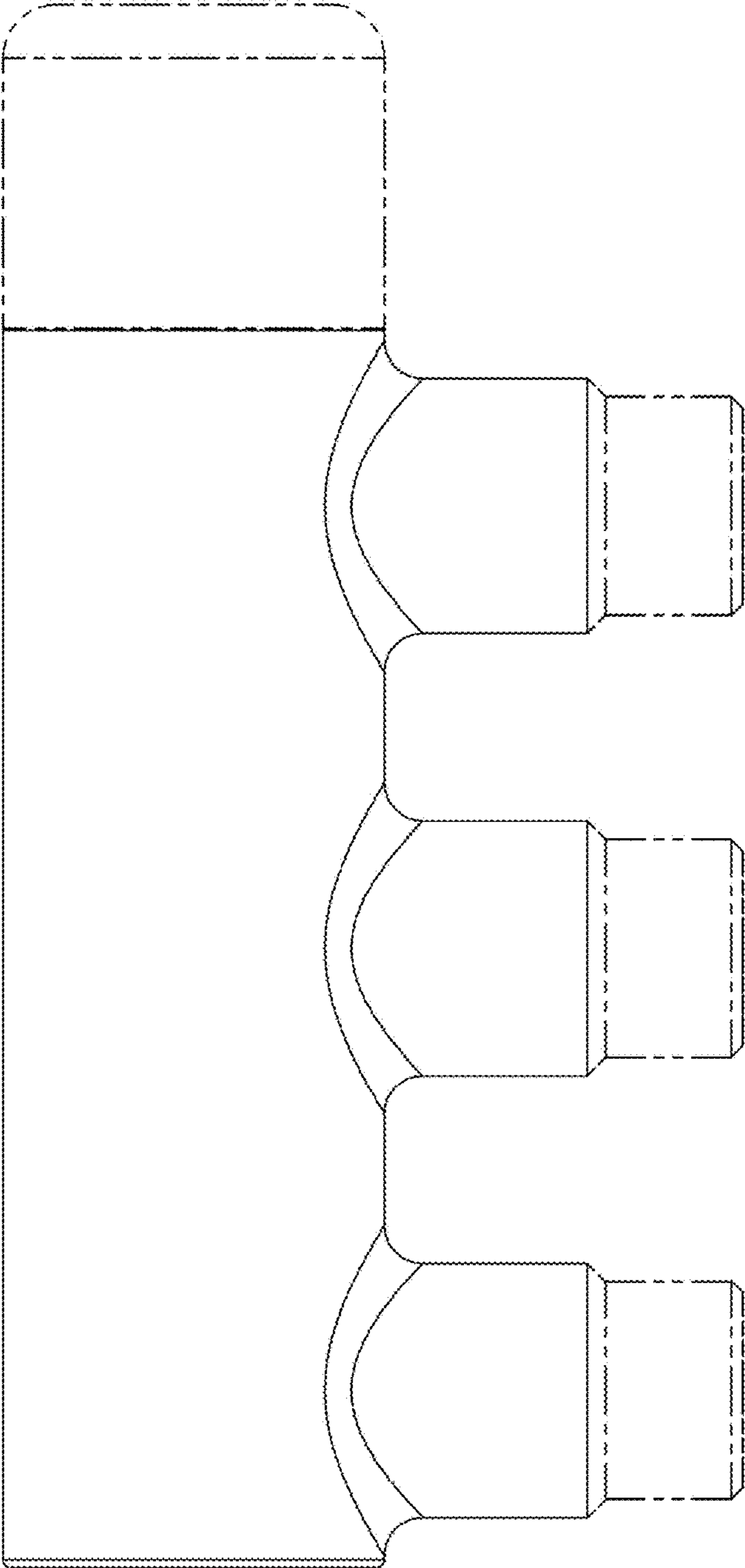


FIG. 3

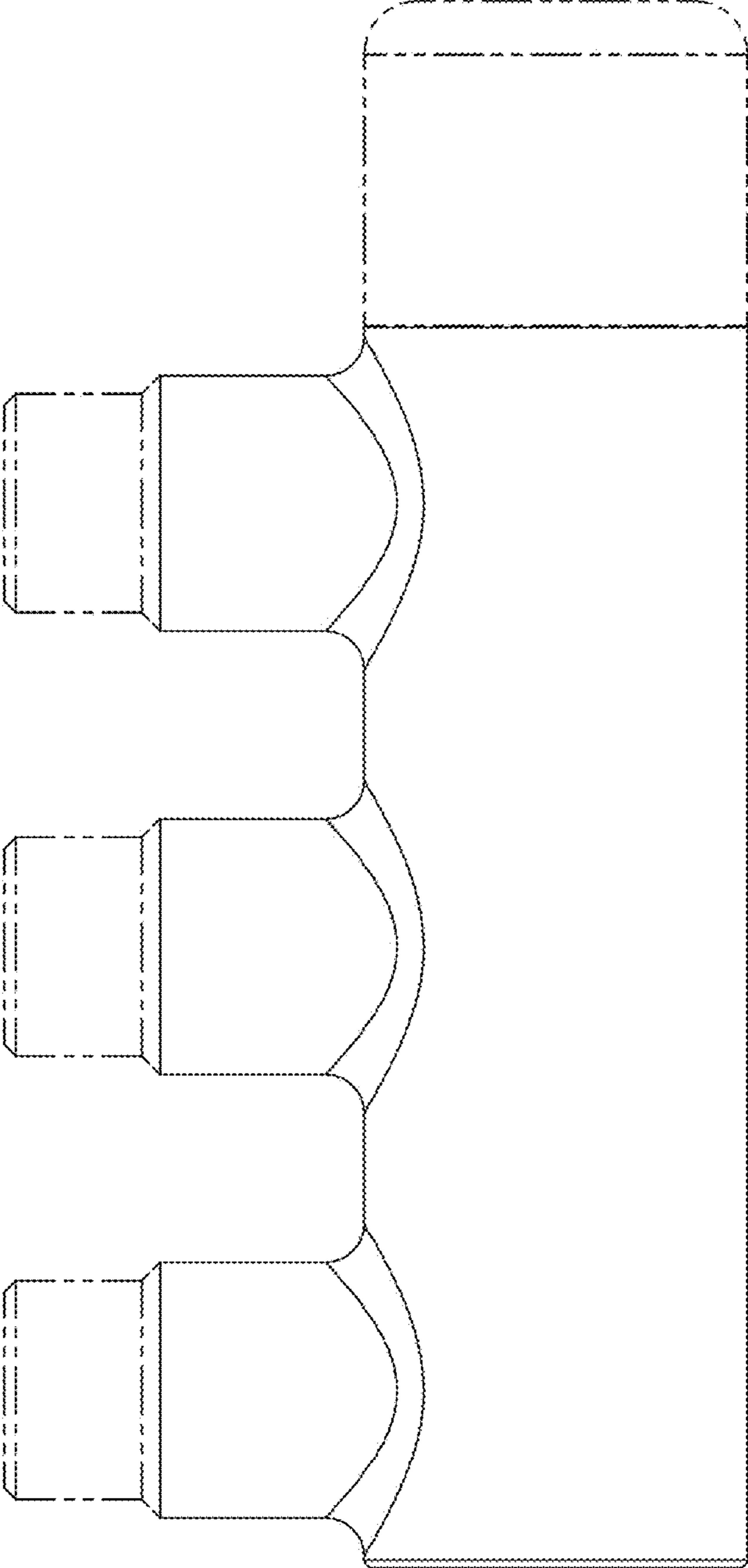


FIG. 4

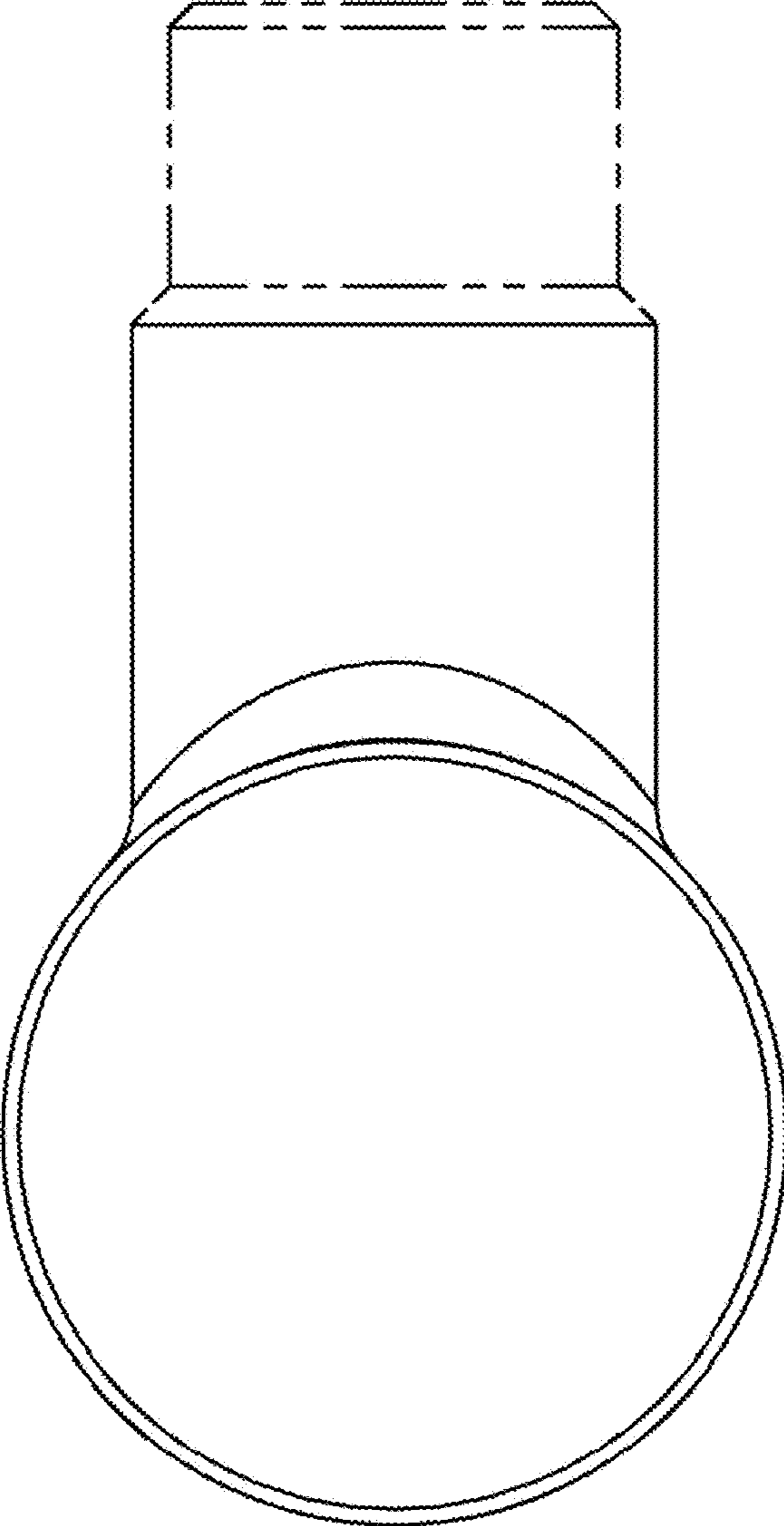


FIG. 5

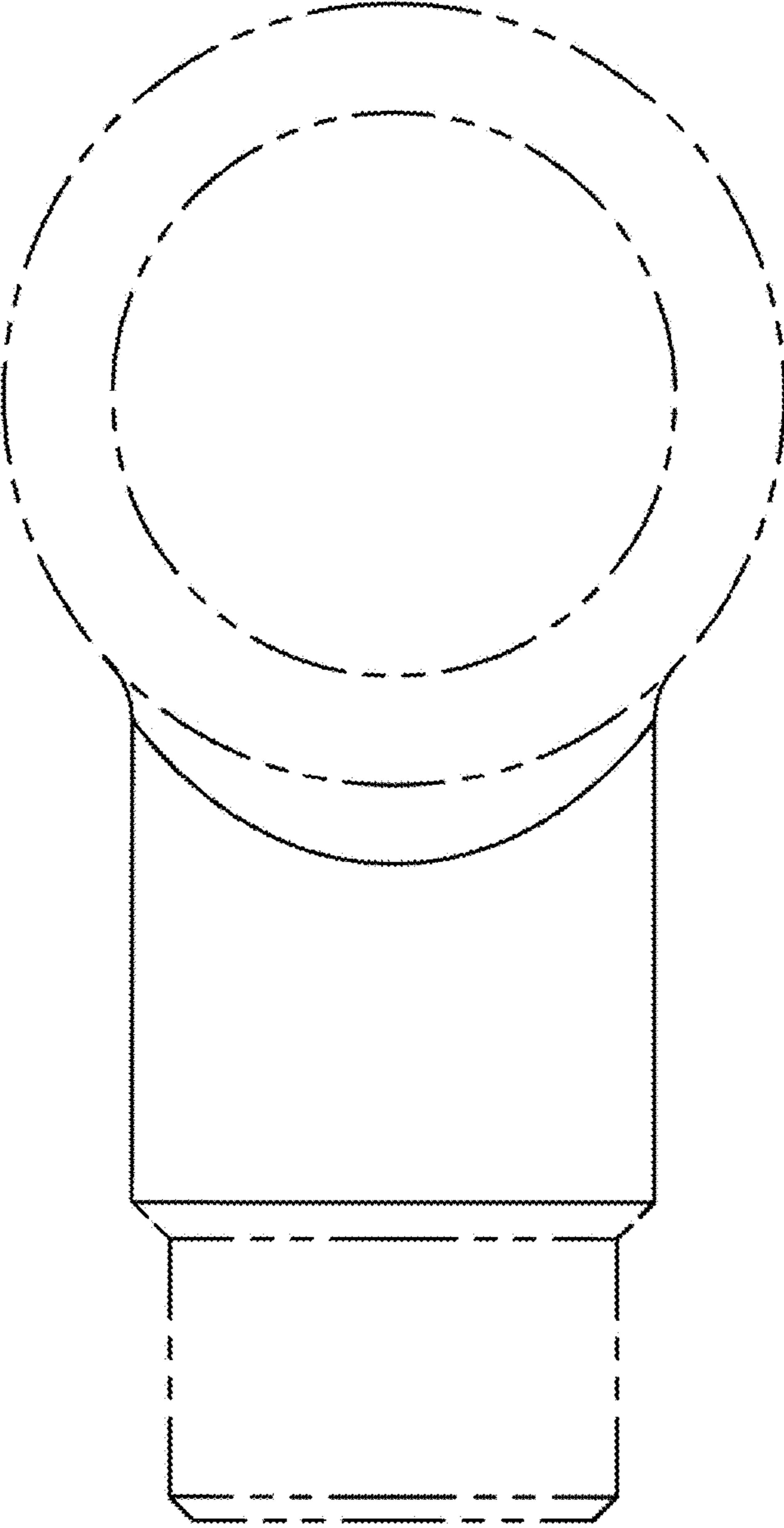


FIG. 6

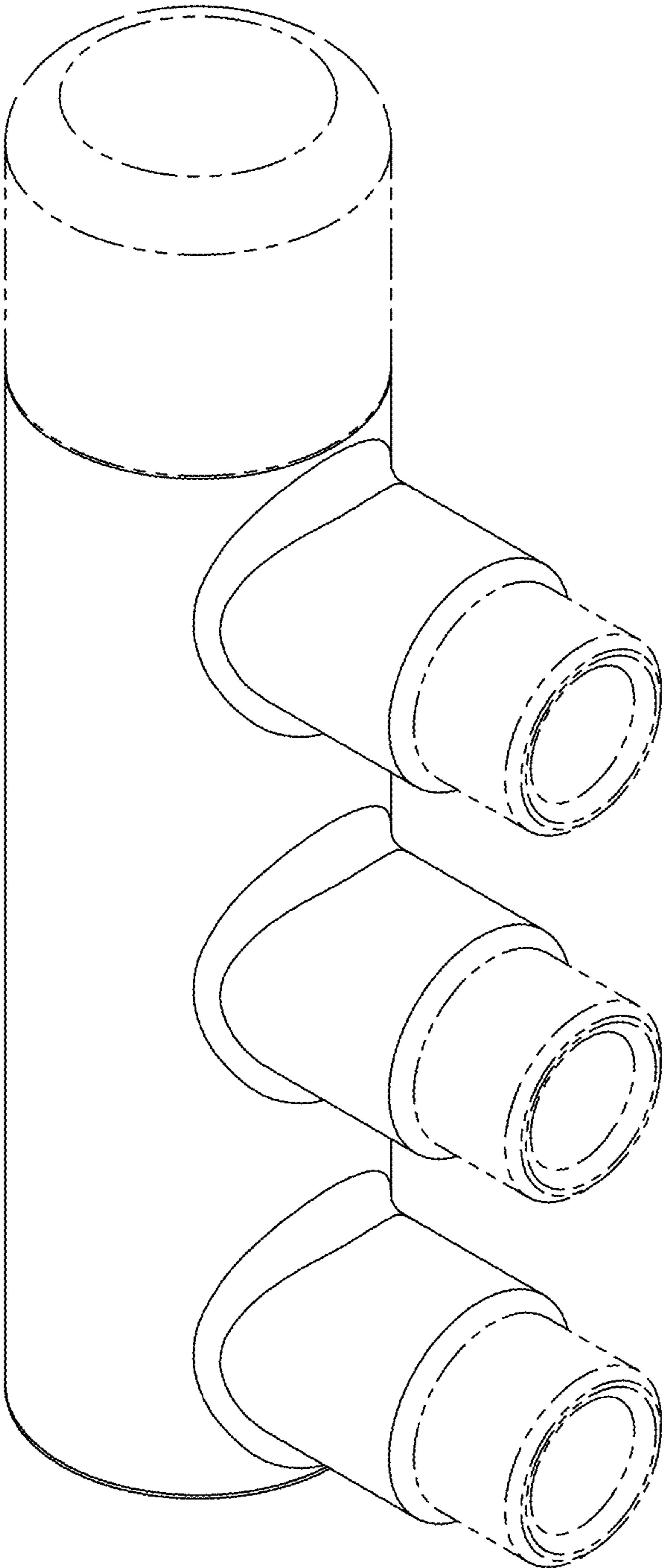


FIG. 7