



US00D799635S

(12) **United States Design Patent**  
**Kimura et al.**

(10) **Patent No.:** **US D799,635 S**

(45) **Date of Patent:** **\*\* Oct. 10, 2017**

(54) **WATER PURIFIER**

(71) Applicant: **Mitsubishi Rayon Cleansui Co., Ltd.**,  
Shinagawa-ku, Tokyo (JP)

(72) Inventors: **Shouzou Kimura**, Tokyo (JP); **Noboru Odamaki**, Tokyo (JP); **Tamotsu Matsumoto**, Chiba (JP); **Makiko Kida**, Chiba (JP); **Yelem Song**, Chiba (JP)

(73) Assignee: **Mitsubishi Rayon Cleansui Co., Ltd.**  
(JP)

(\*\*) Term: **15 Years**

(21) Appl. No.: **29/562,867**

(22) Filed: **Apr. 29, 2016**

(30) **Foreign Application Priority Data**

Oct. 30, 2015 (JP) ..... 2015-024372  
Oct. 30, 2015 (JP) ..... 2015-024373

(51) **LOC (10) Cl.** ..... **23-01**

(52) **U.S. Cl.**  
USPC ..... **D23/207**

(58) **Field of Classification Search**  
USPC ..... D23/207, 209; 215/384; D7/316, 318,  
D7/319, 397, 612, 629; D9/530  
CPC ..... B01D 35/30; B01D 35/153; C02F 1/003;  
B65D 23/102  
See application file for complete search history.

(56) **References Cited**

**U.S. PATENT DOCUMENTS**

D220,957 S \* 6/1971 Marsh ..... D23/207  
D313,555 S \* 1/1991 Jordi ..... D7/316  
D350,876 S \* 9/1994 VanValkenburg ..... D7/612  
5,579,937 A \* 12/1996 Valyi ..... B29C 49/0078  
215/384

D434,103 S \* 11/2000 Fletcher ..... D23/207  
D482,755 S \* 11/2003 Rhinehart ..... D23/207  
6,722,514 B2 \* 4/2004 Renz ..... A47G 19/2205  
215/11.1  
D497,195 S \* 10/2004 Nishi ..... D23/209  
6,814,248 B2 \* 11/2004 Beck ..... B29C 49/48  
215/279  
6,875,201 B1 \* 4/2005 Kawashima ..... A61F 9/0008  
215/381  
D506,346 S \* 6/2005 Matsumoto ..... D7/317  
D511,655 S \* 11/2005 Kim ..... D7/612  
D575,844 S \* 8/2008 Park ..... D23/207  
D643,507 S \* 8/2011 Lee ..... D23/207

(Continued)

*Primary Examiner* — Robin V Webster

(74) *Attorney, Agent, or Firm* — Saidman DesignLaw  
Group, LLC

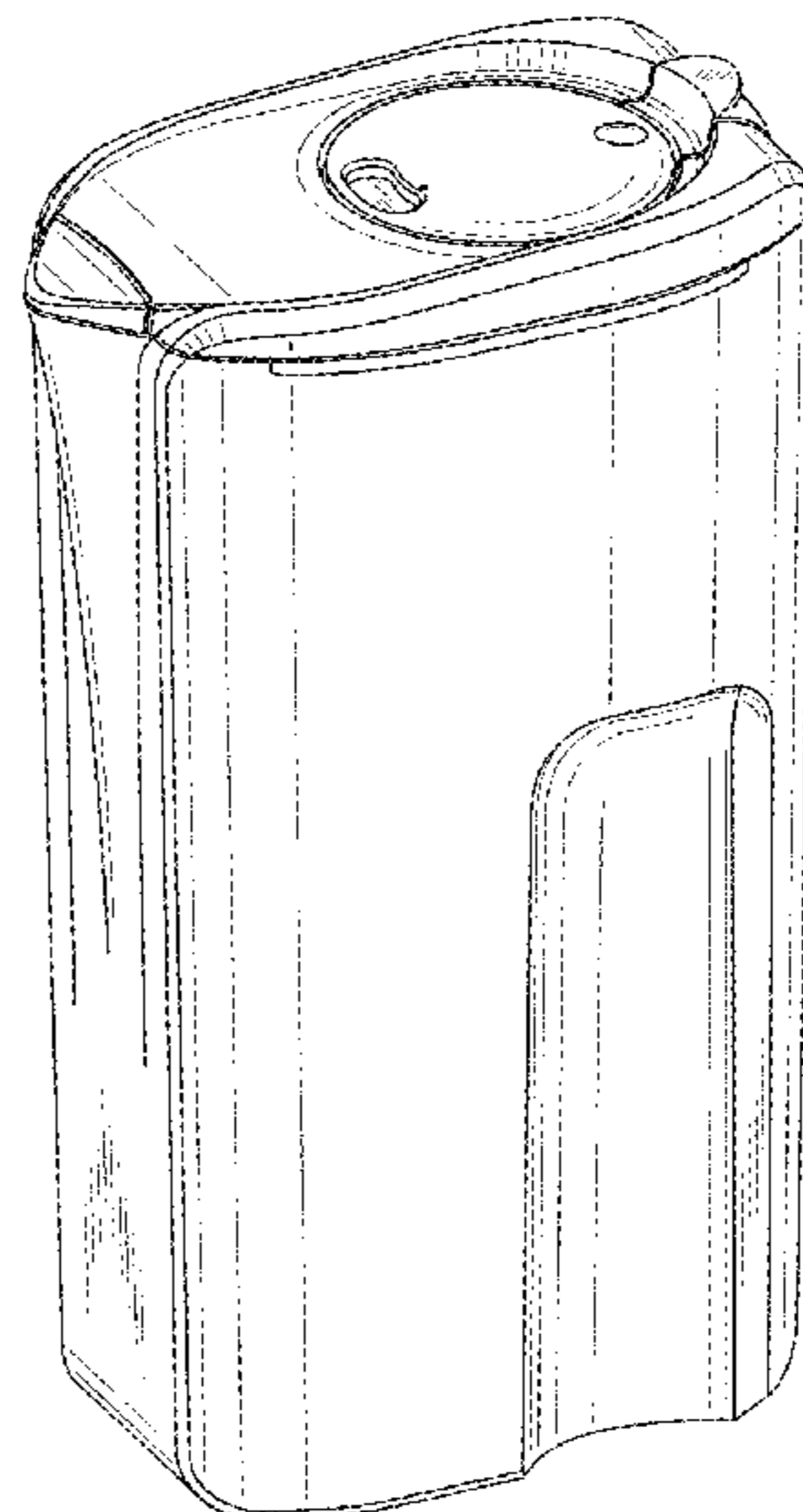
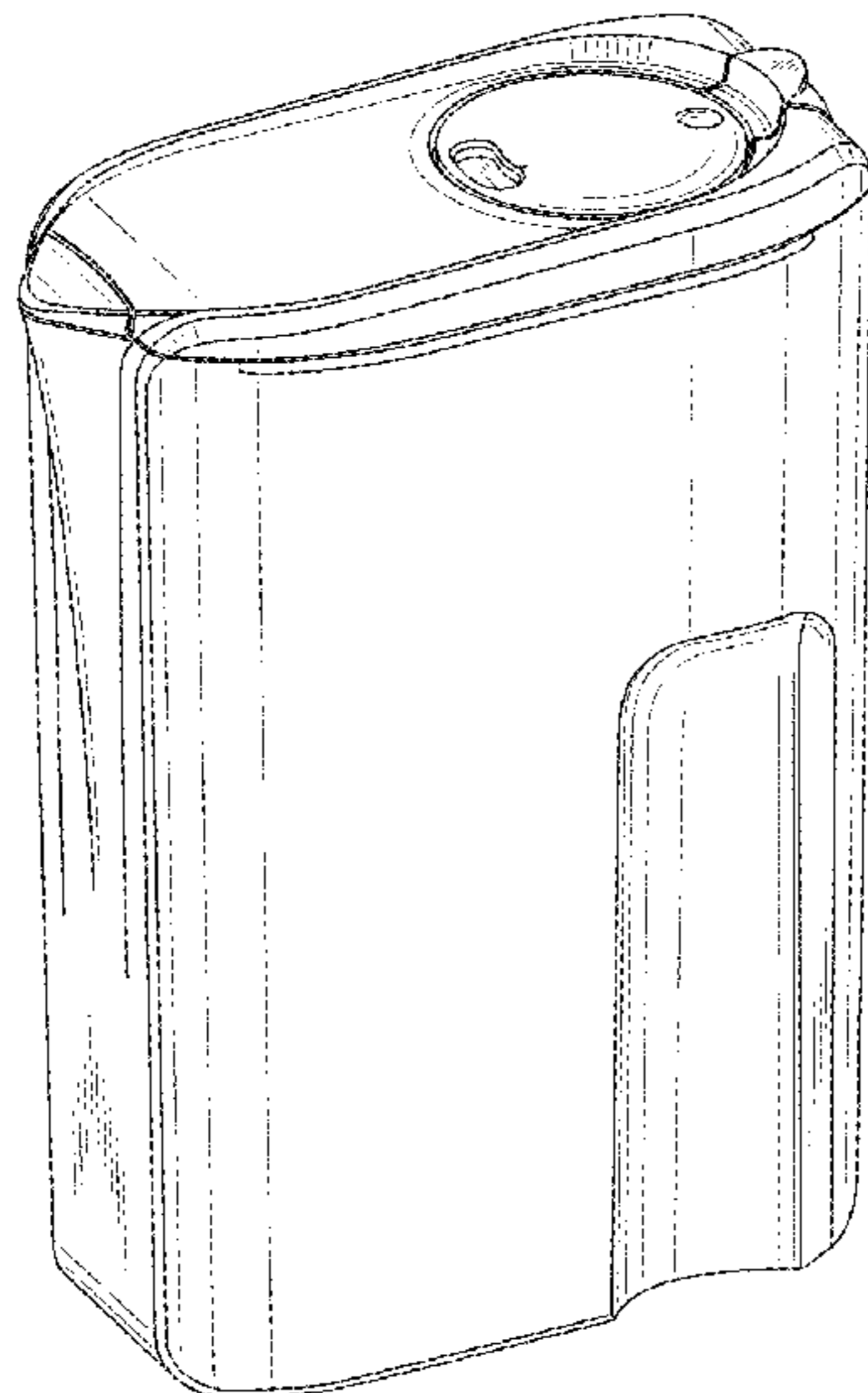
(57) **CLAIM**

The ornamental design for a water purifier, as shown and described.

**DESCRIPTION**

FIG. 1 is a perspective view of a first embodiment of a water purifier showing our new design;  
FIG. 2 is a front elevational view thereof; the rear elevational view is a mirror image of the front elevational view;  
FIG. 3 is a left side elevational view thereof;  
FIG. 4 is a right side elevational view thereof;  
FIG. 5 is a top plan view thereof;  
FIG. 6 is a bottom plan view thereof;  
FIG. 7 is a perspective view of a second embodiment of a water purifier showing our new design;  
FIG. 8 is a front elevational view thereof; the rear elevational view is a mirror image of the front elevational view;  
FIG. 9 is a left side elevational view thereof;  
FIG. 10 is a right side elevational view thereof;  
FIG. 11 is a top plan view thereof; and,  
FIG. 12 is a bottom plan view thereof.

**1 Claim, 8 Drawing Sheets**



(56)

**References Cited**

U.S. PATENT DOCUMENTS

8,313,005 B2 \* 11/2012 Scarola ..... B65D 23/102  
215/382  
D677,511 S \* 3/2013 Gray ..... D7/316  
D680,191 S \* 4/2013 Koury ..... D23/209  
D682,387 S \* 5/2013 Tseng ..... D23/207  
D695,877 S \* 12/2013 Geisen ..... D23/207  
D731,618 S \* 6/2015 Yeh ..... D23/209  
D736,571 S \* 8/2015 Laskowski ..... D7/629  
D762,809 S \* 8/2016 Kim ..... D23/207  
D767,346 S \* 9/2016 Mussio ..... D7/629  
D767,711 S \* 9/2016 Anumalasetty ..... D23/207  
D782,315 S \* 3/2017 Mooney ..... D9/516

\* cited by examiner

FIG. 1

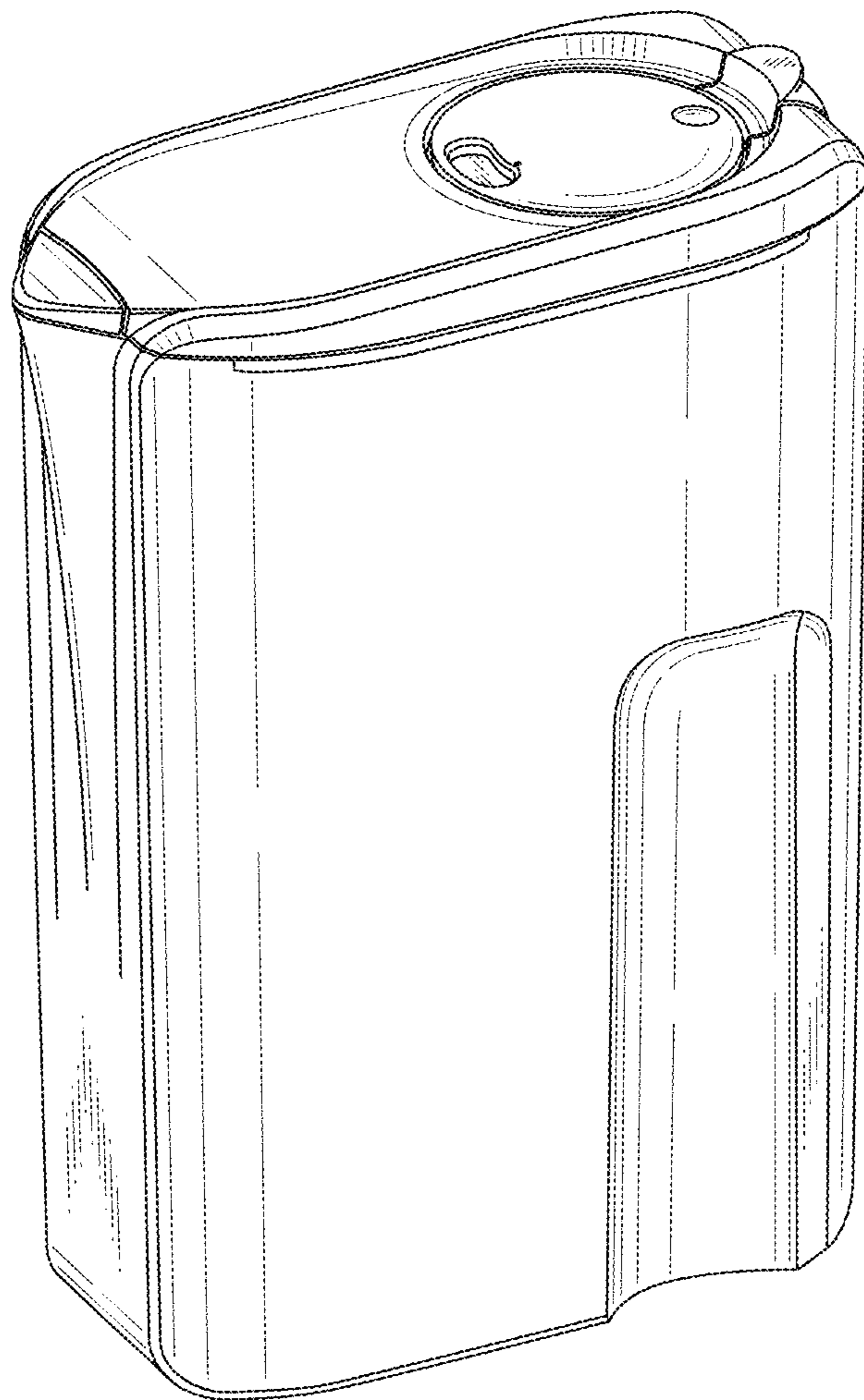


FIG. 2

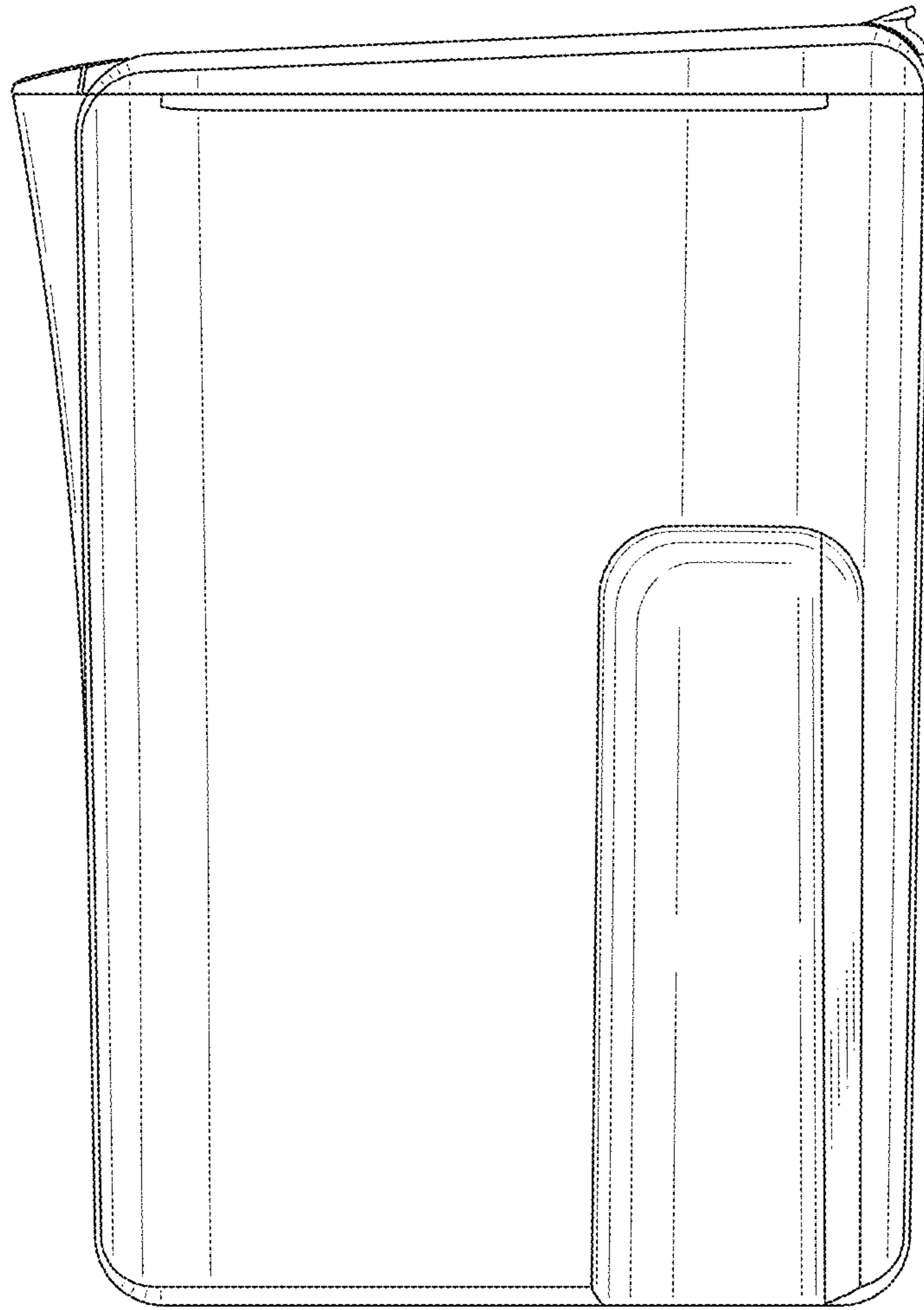


FIG. 3

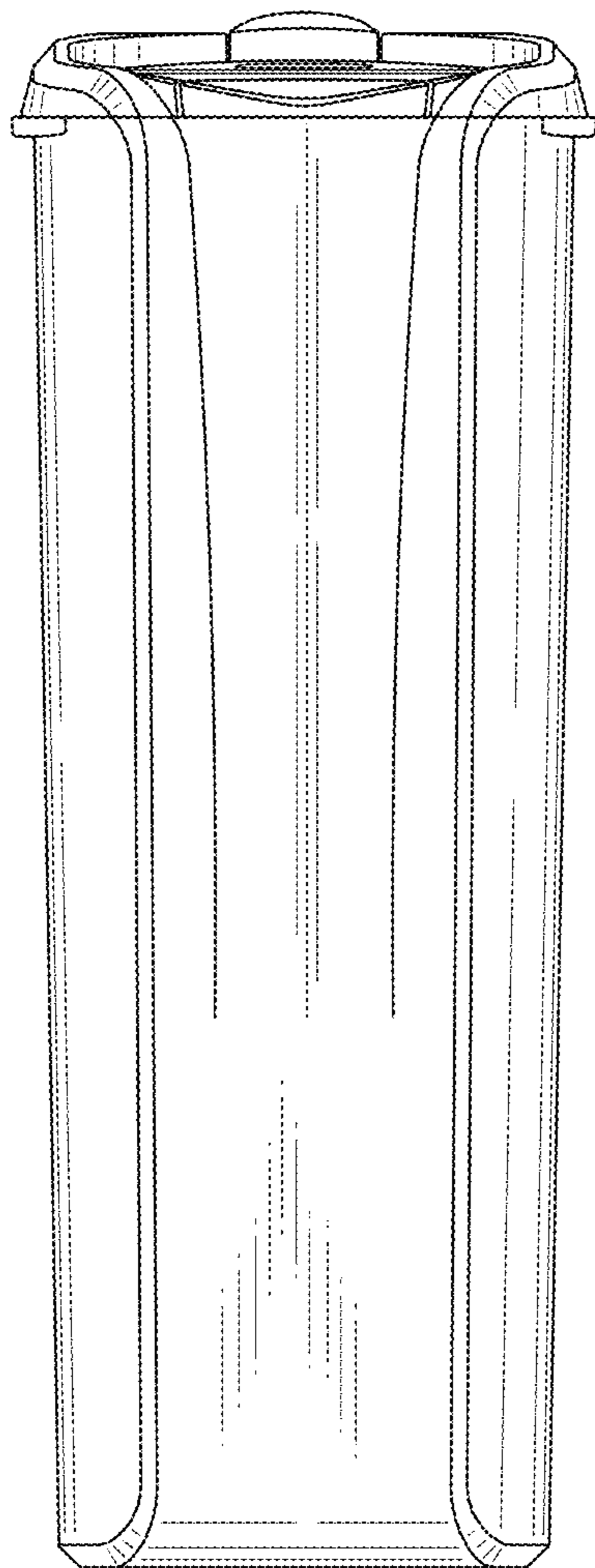


FIG. 4

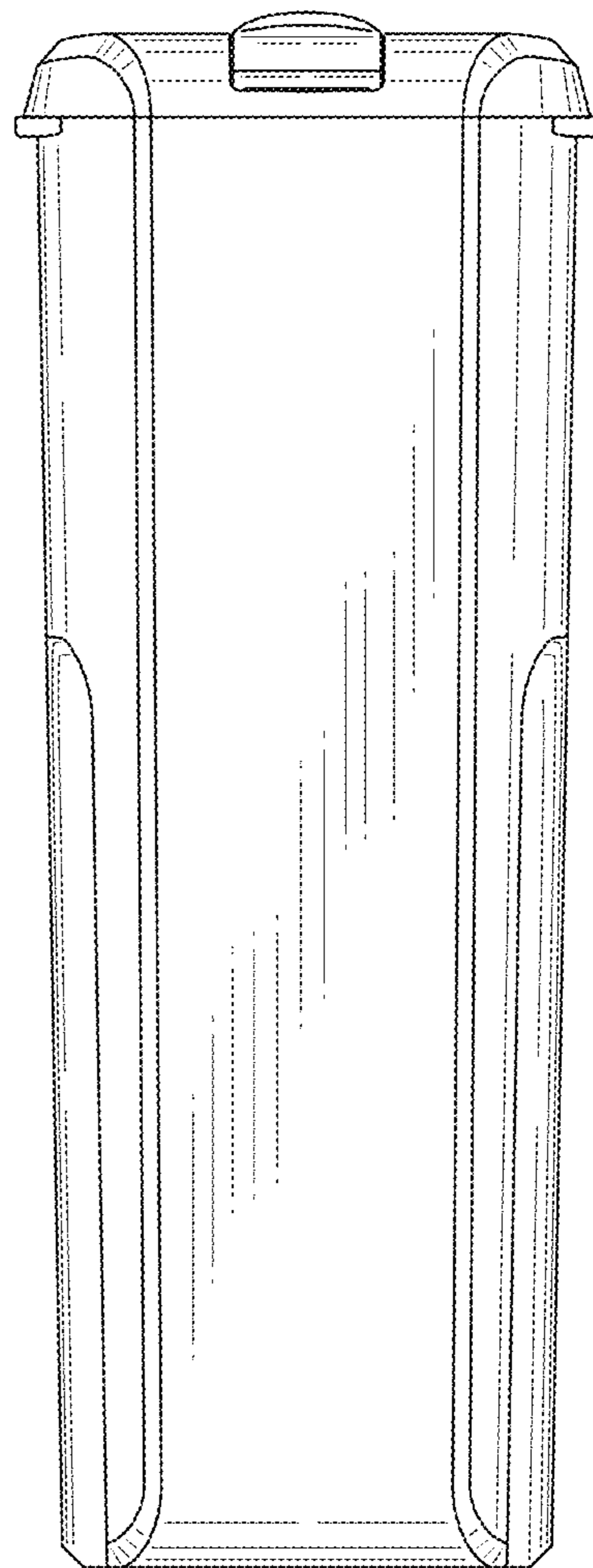


FIG. 5

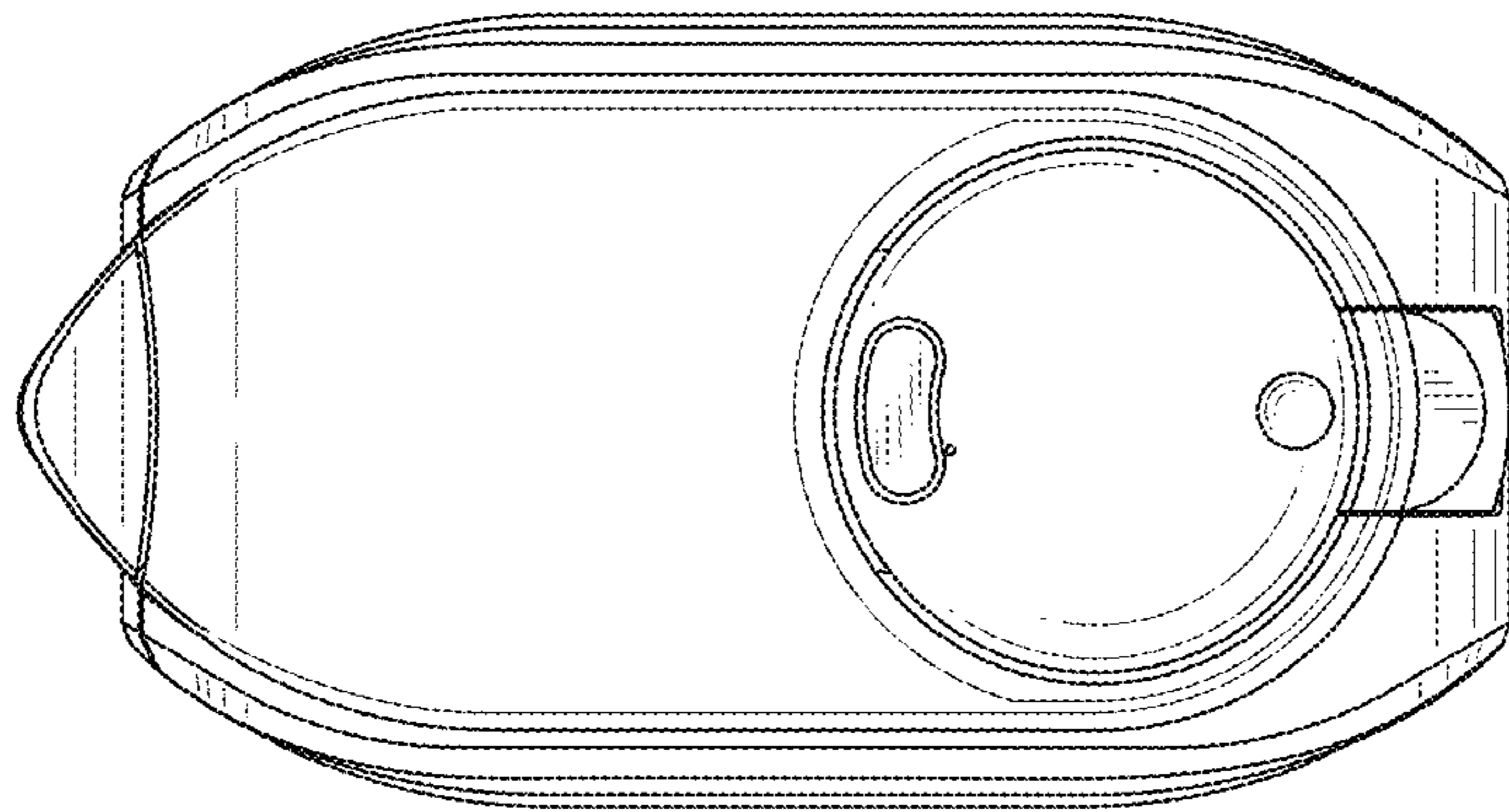


FIG. 6

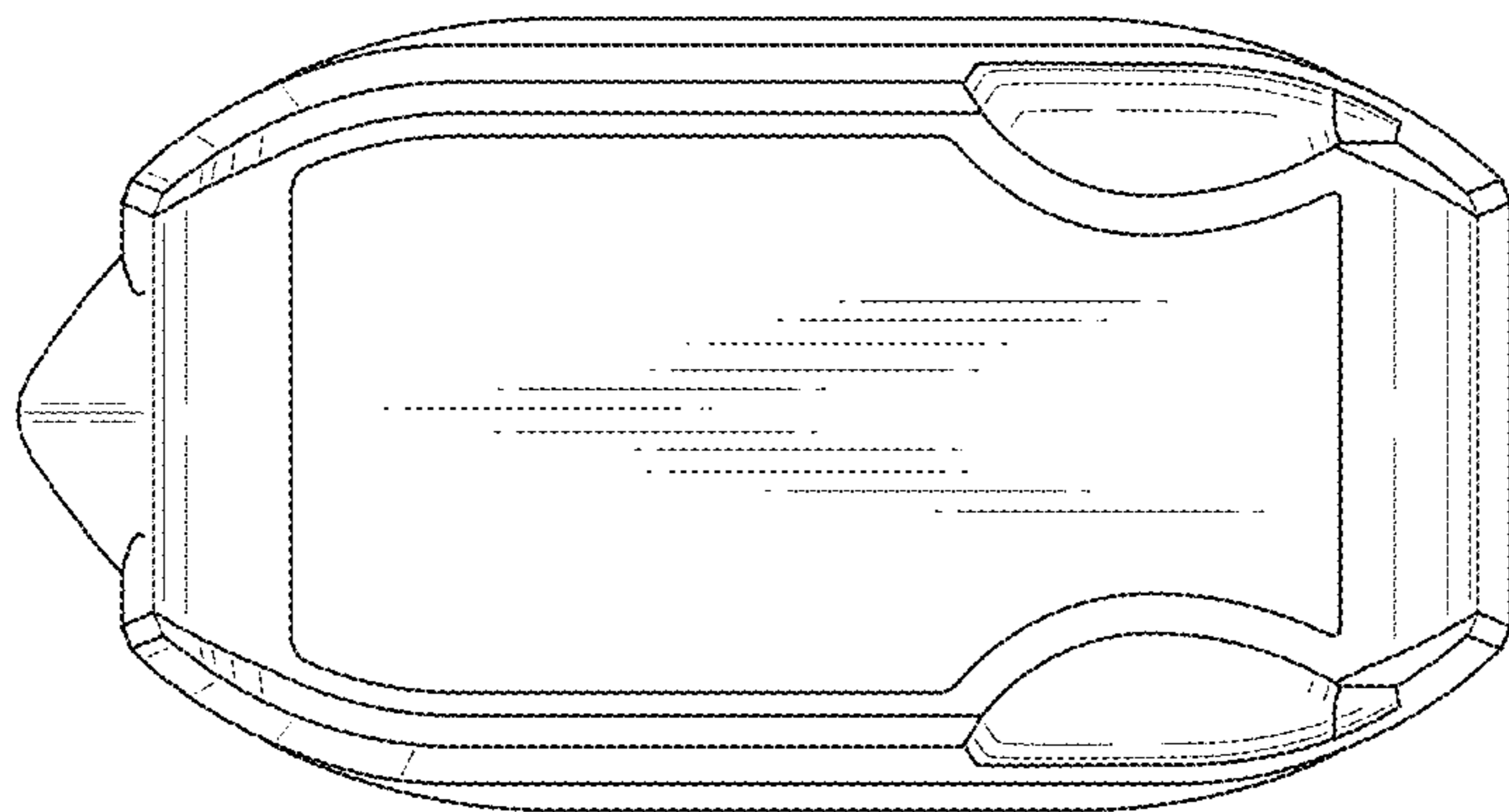


FIG. 7

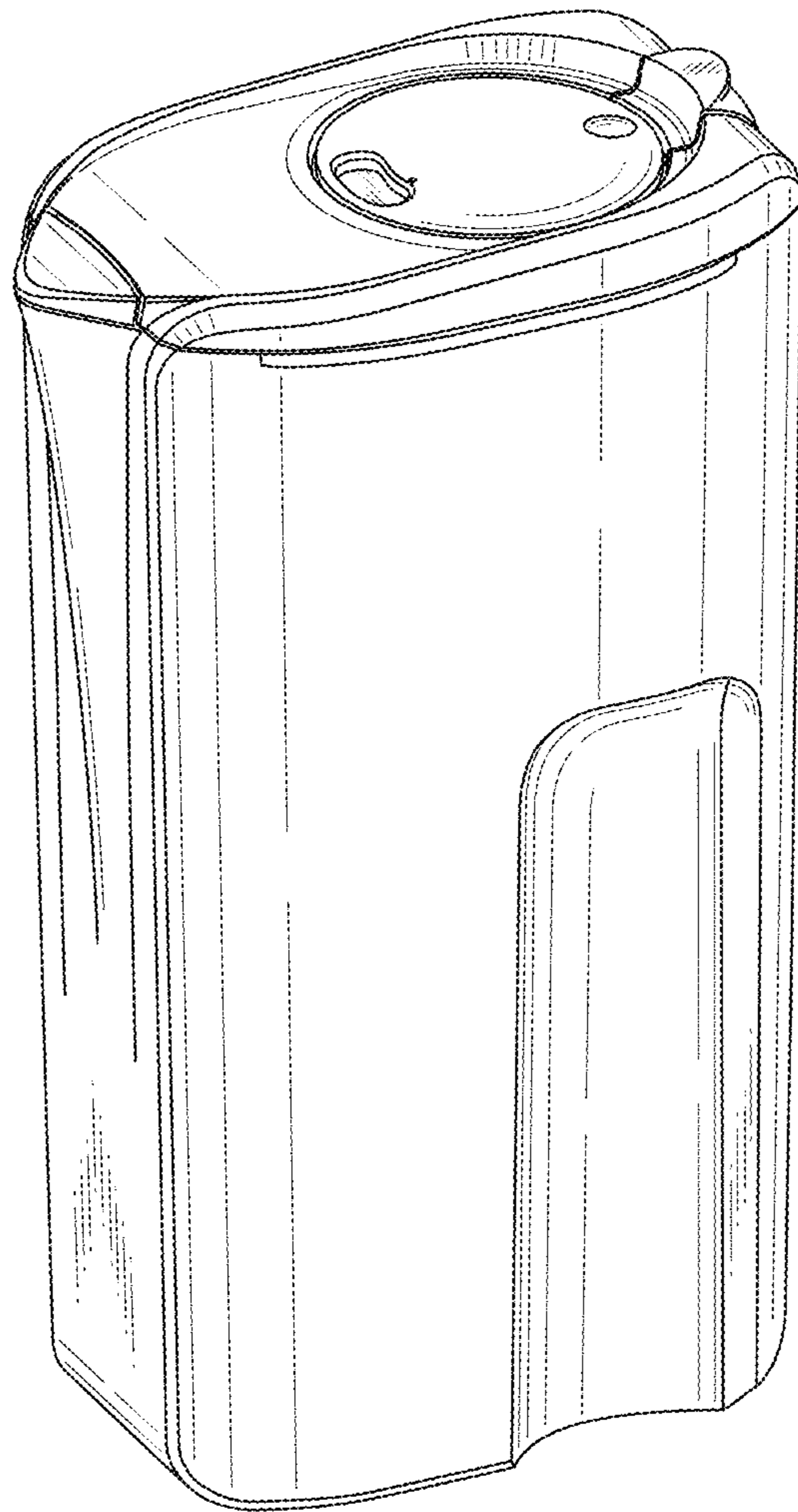


FIG. 8

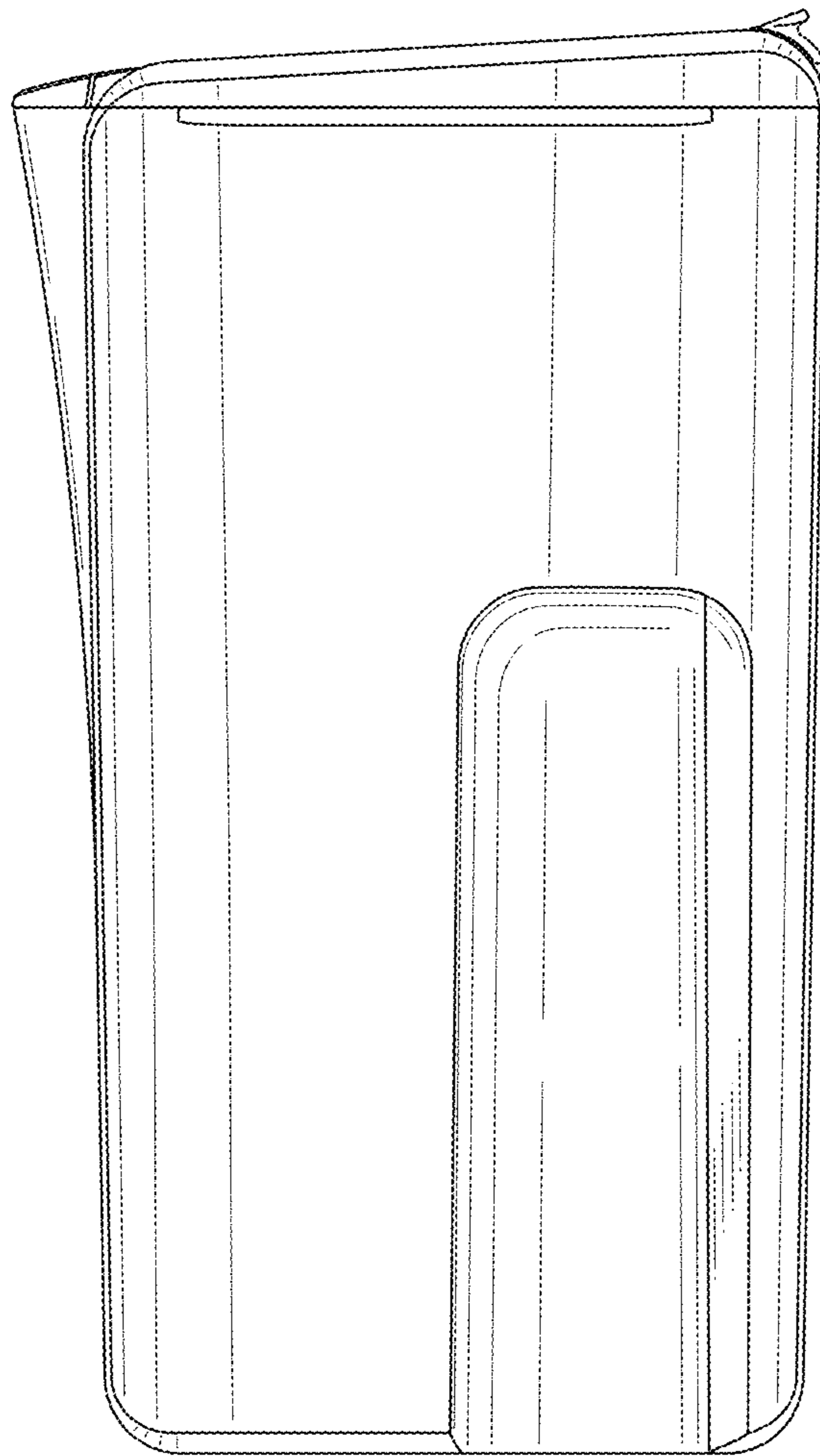




FIG. 9

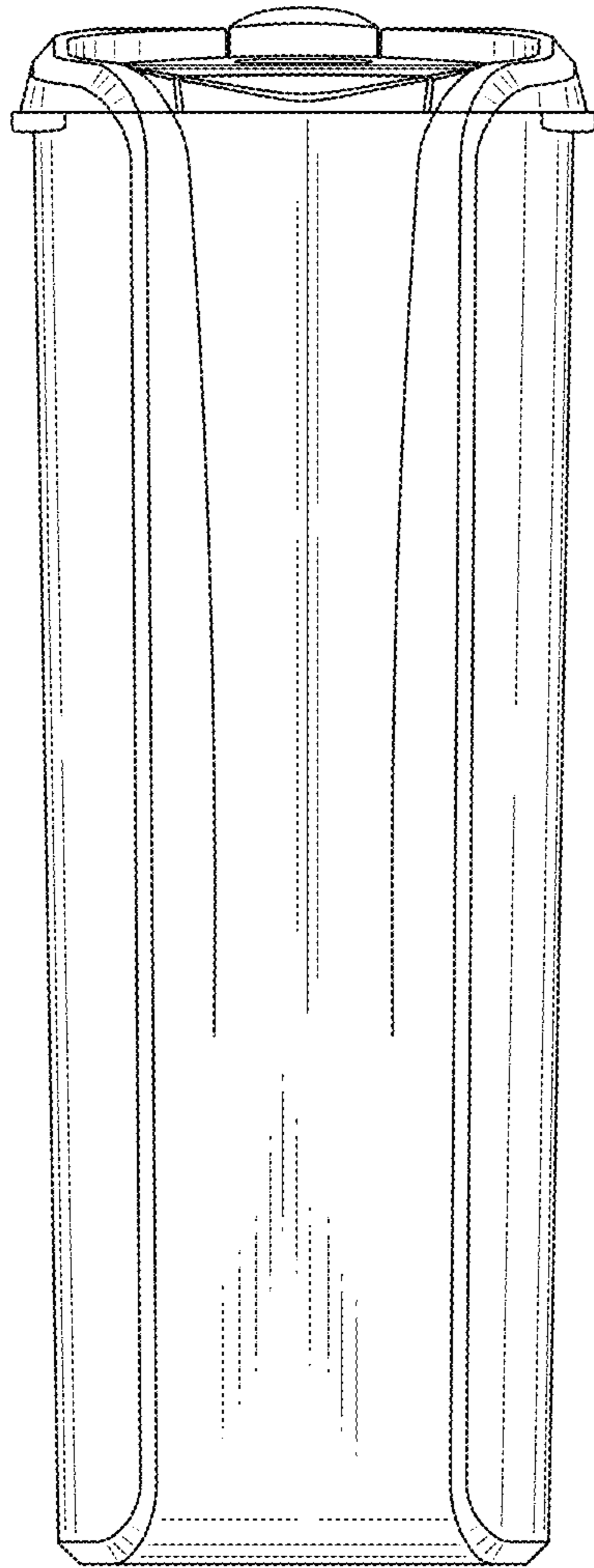


FIG. 10

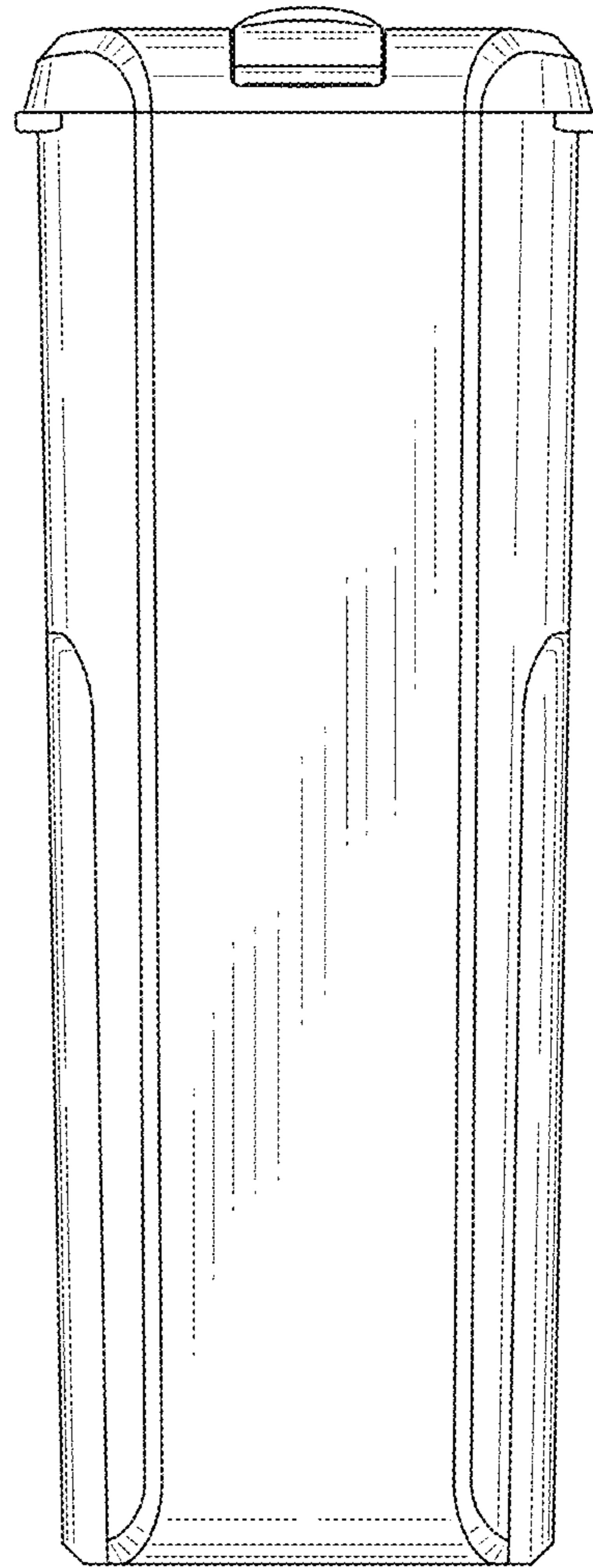


FIG. 11

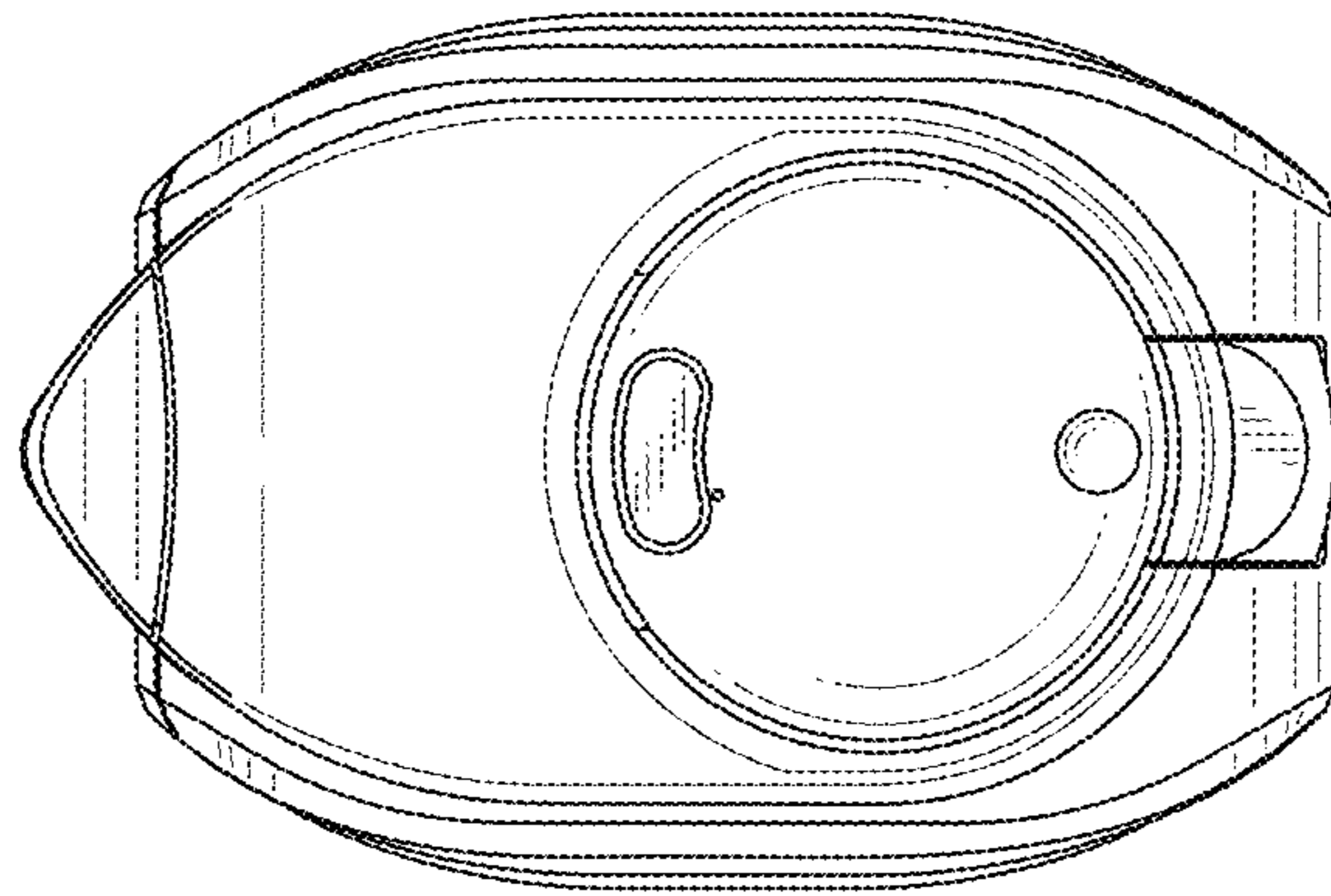


FIG. 12

