



US00D799632S

(12) **United States Design Patent**
Ulbrich et al.

(10) **Patent No.:** **US D799,632 S**

(45) **Date of Patent:** **** Oct. 10, 2017**

(54) **LOADER**

(71) Applicants: **Mason Ulbrich**, Saugus, CA (US);
Kevin Schroeder, Simi Valley, CA
(US); **Jeff Schroeder**, Simi Valley, CA
(US)

(72) Inventors: **Mason Ulbrich**, Saugus, CA (US);
Kevin Schroeder, Simi Valley, CA
(US); **Jeff Schroeder**, Simi Valley, CA
(US)

(73) Assignee: **ULBRICH SCHROEDER DESIGN**
CORP, Simi Valley, CA (US)

(**) Term: **15 Years**

(21) Appl. No.: **29/607,886**

(22) Filed: **Jun. 16, 2017**

Related U.S. Application Data

(63) Continuation-in-part of application No. 29/590,939,
filed on Jan. 13, 2017, now Pat. No. Des. 790,030.

(51) **LOC (10) Cl.** **22-01**

(52) **U.S. Cl.**
USPC **D22/108**

(58) **Field of Classification Search**
USPC D22/108
CPC F41A 9/83; F41A 9/82
See application file for complete search history.

(56) **References Cited**

U.S. PATENT DOCUMENTS

402,605 A 5/1889 Mauser
2,783,570 A 4/1954 Kunz

4,614,052 A	9/1986	Brown	
4,706,402 A	11/1987	Csongor	
4,756,110 A	7/1988	Beltron	
5,402,594 A	4/1995	Switzer	
D370,518 S	6/1996	Haywood	
6,754,987 B1	6/2004	Cheng	
6,810,616 B2	11/2004	Tal	
D697,999 S	1/2014	Firment	
9,279,631 B2	3/2016	Barnhart	
9,335,108 B2	5/2016	Cauley	
9,459,063 B1	10/2016	Gatturna	
D770,588 S	11/2016	Cauley	
D790,030 S *	6/2017	Ulbrich D22/108
2014/0223792 A1	8/2014	Socivoi	
2014/0298704 A1	10/2014	Niccum	
2015/0377573 A1	12/2015	Niccum	

* cited by examiner

Primary Examiner — Michael A. Pratt

(74) *Attorney, Agent, or Firm* — Todd R. Miller

(57) **CLAIM**

The ornamental design for a loader, as shown and described.

DESCRIPTION

FIG. 1 is a perspective view embodying the inventive design;

FIG. 2 is a top view thereof;

FIG. 3 is a right view thereof;

FIG. 4 is a bottom view thereof;

FIG. 5 is a left view thereof;

FIG. 6 is a front view thereof; and,

FIG. 7 is a back view thereof.

The broken lines in the figures are shown for illustrative purposes only and form no part of the claimed design.

1 Claim, 3 Drawing Sheets

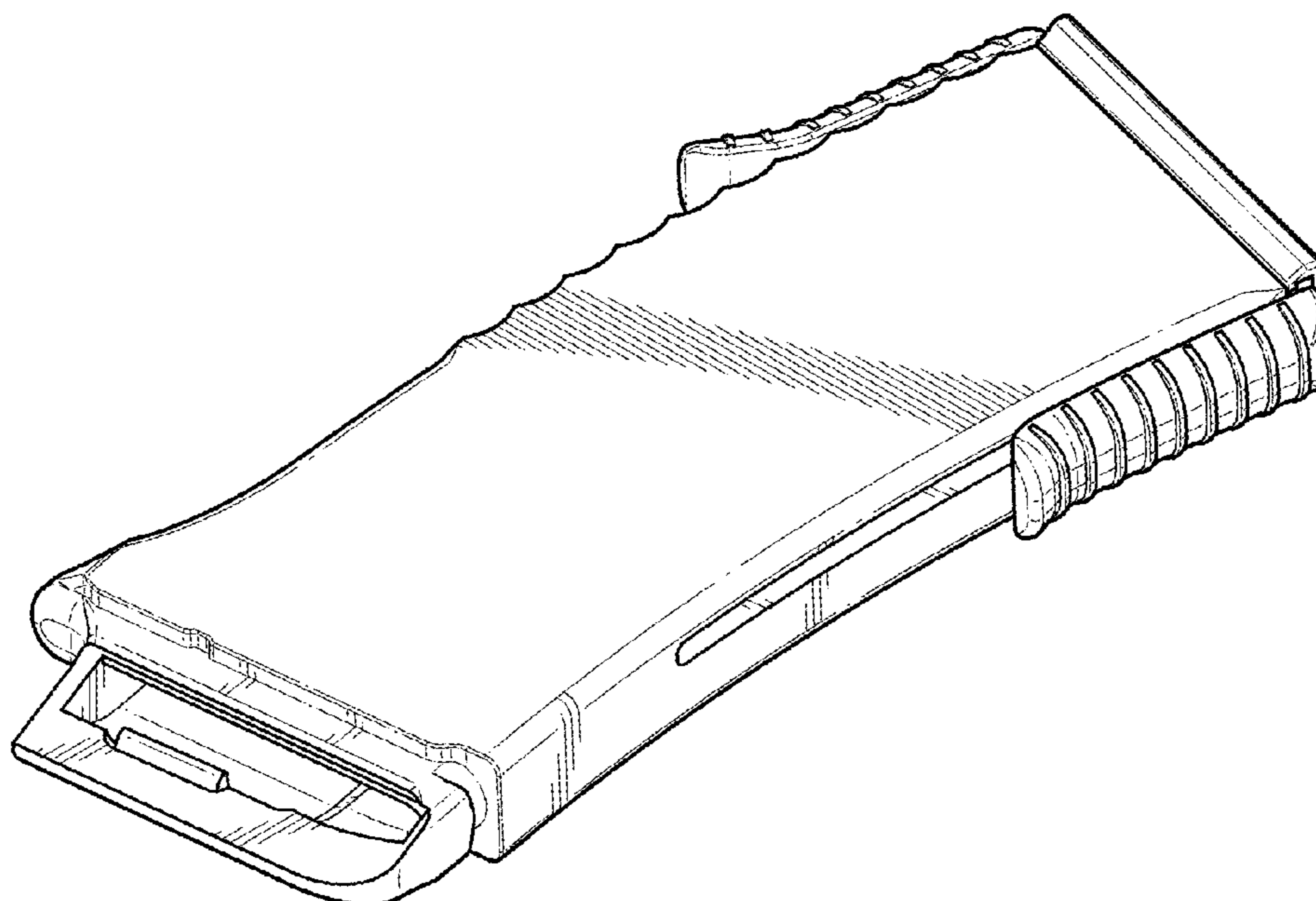
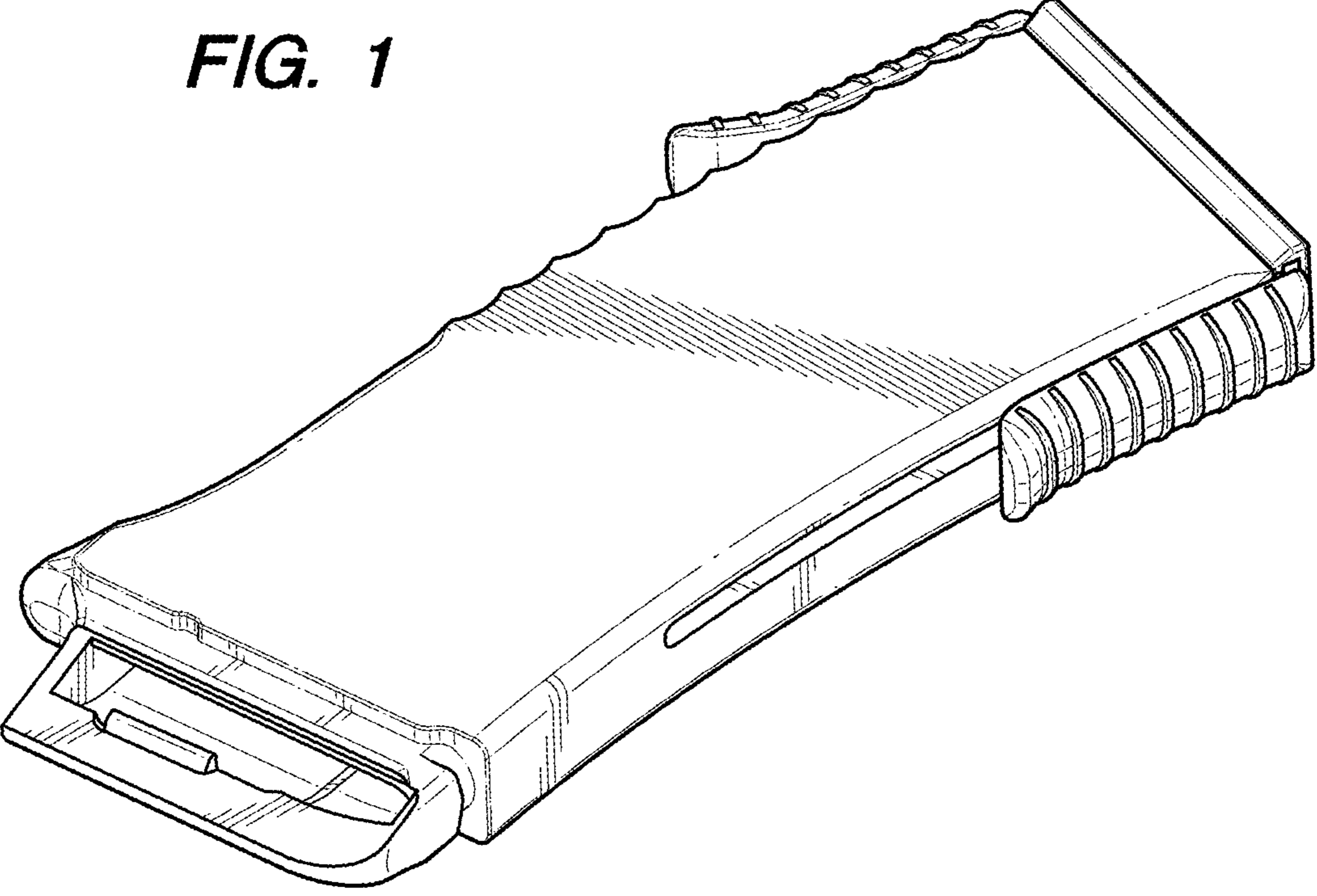


FIG. 1



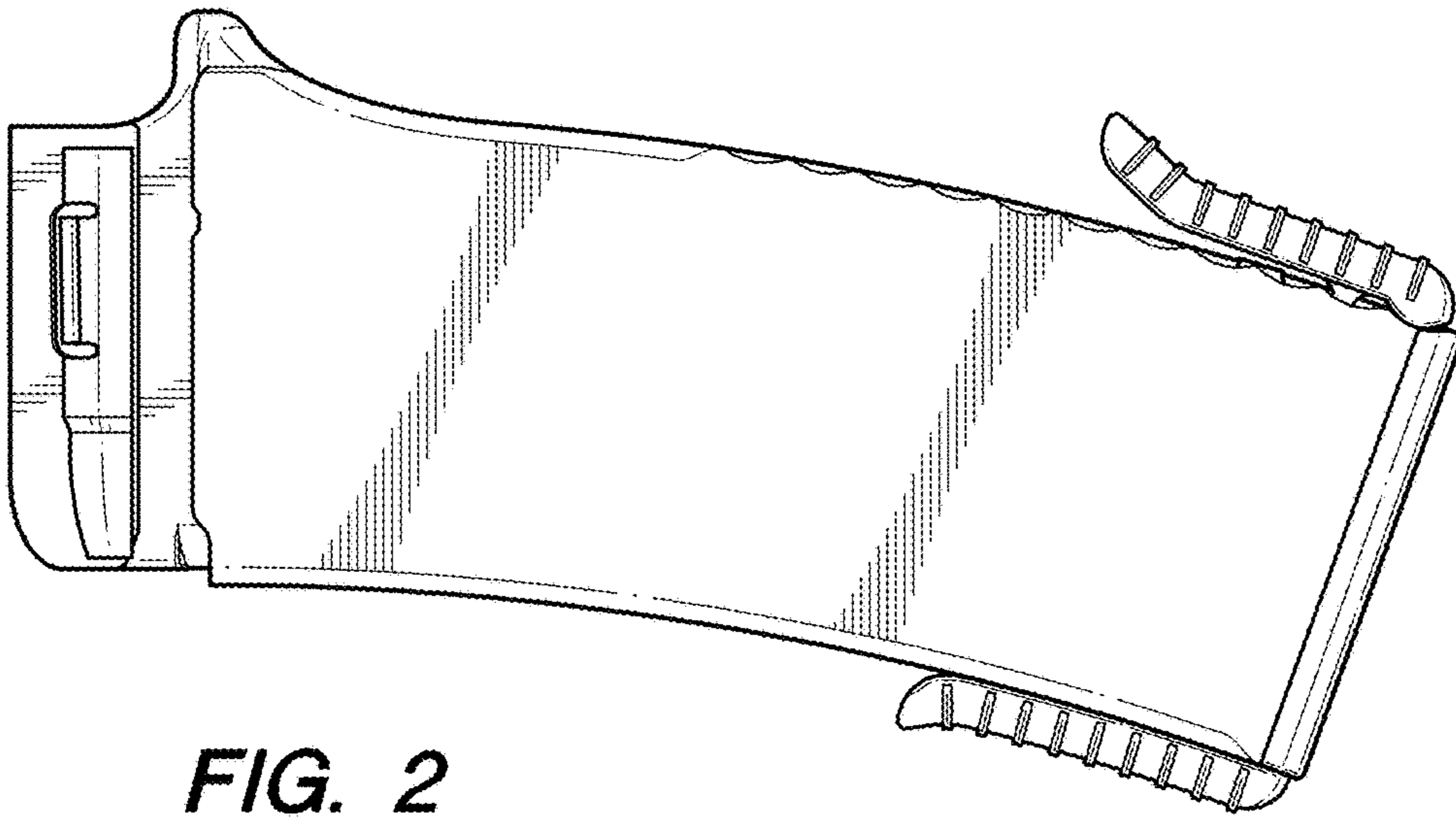


FIG. 2

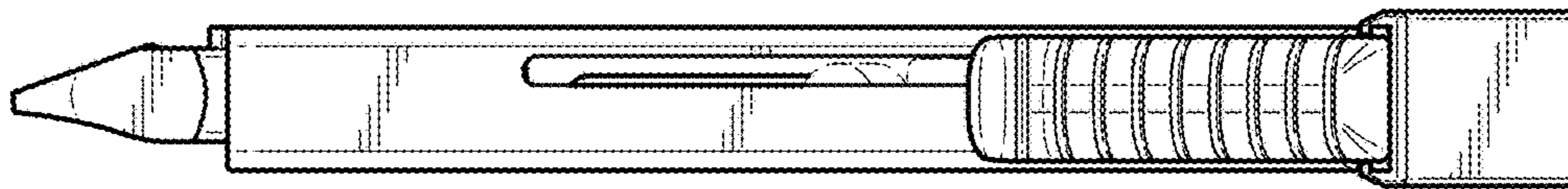


FIG. 3

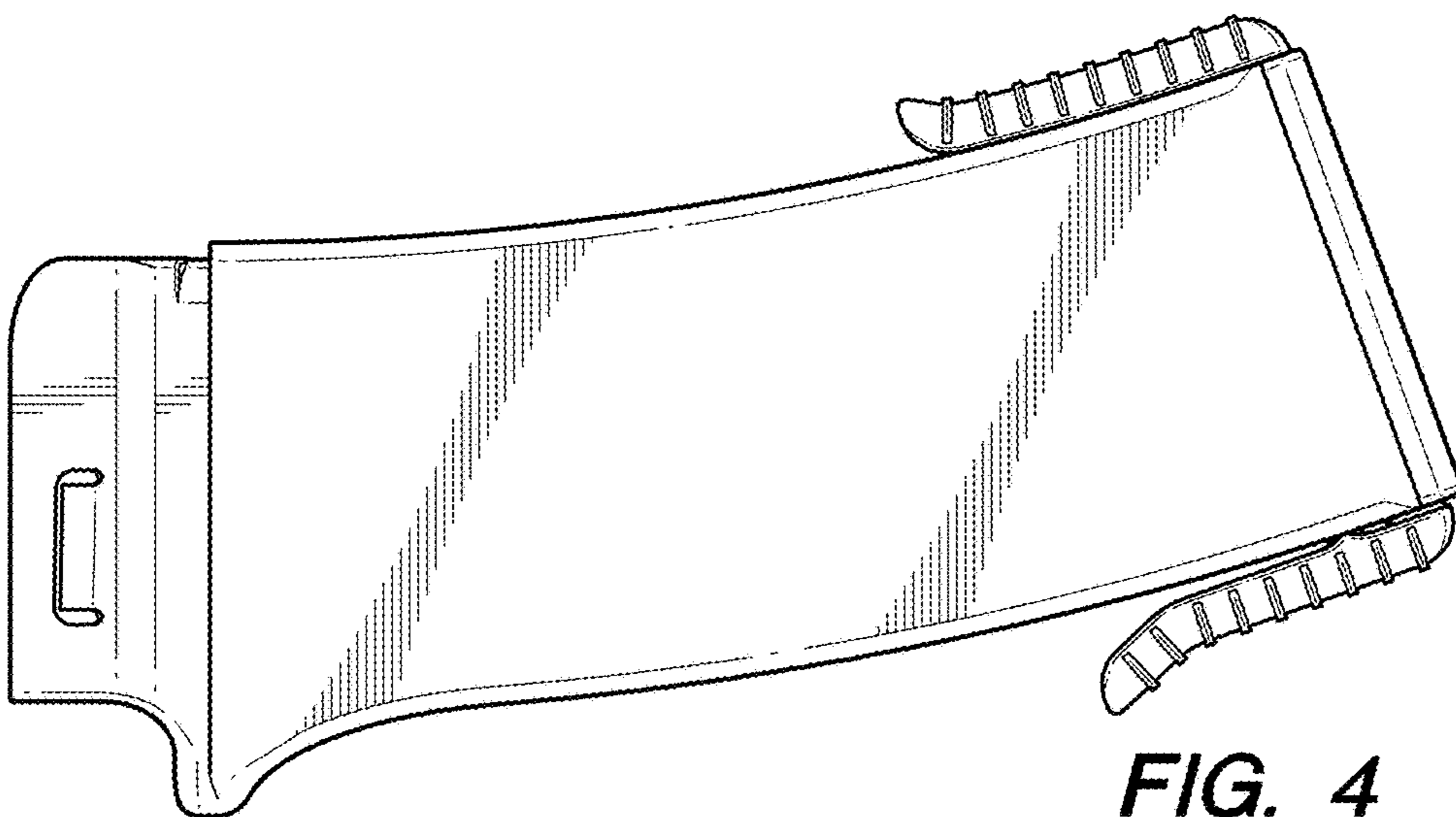


FIG. 4

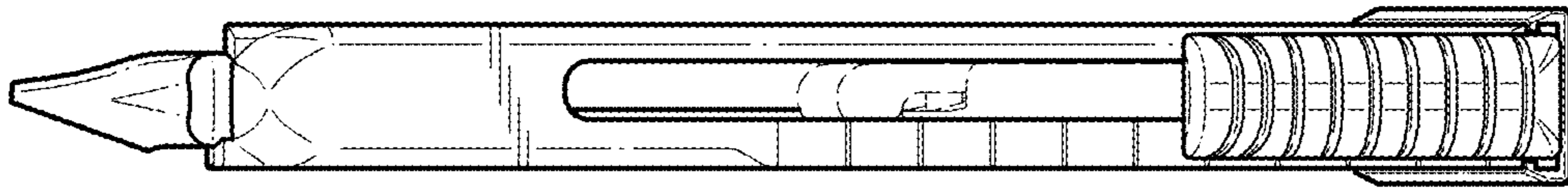


FIG. 5



FIG. 6

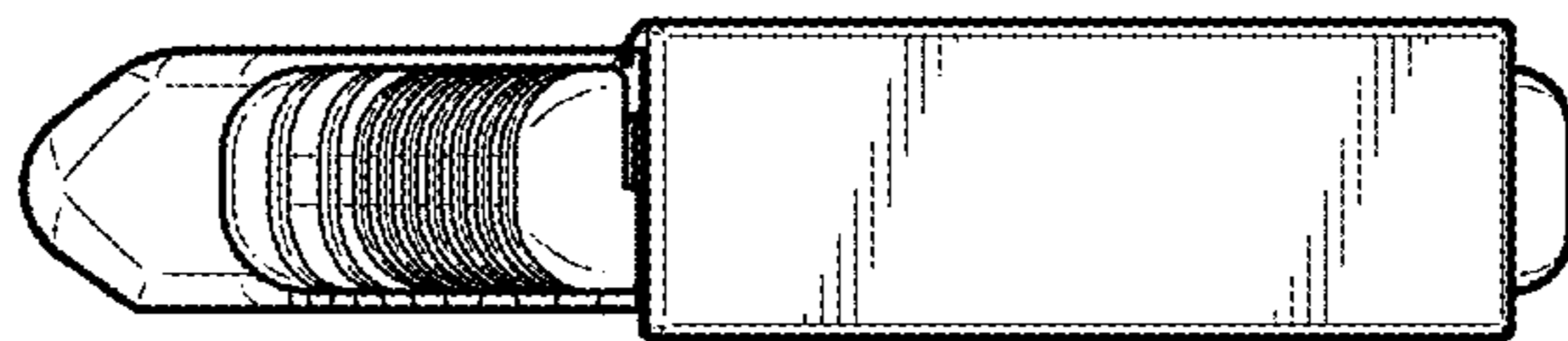


FIG. 7