



US00D799631S

(12) **United States Design Patent**  
**Chen**

(10) **Patent No.:** **US D799,631 S**

(45) **Date of Patent:** **\*\* Oct. 10, 2017**

- (54) **MAGAZINE WELL FUNNEL**
- (71) Applicant: **Legacy Custom Products, Inc.**,  
Durango, CO (US)
- (72) Inventor: **Stan Chen**, Durango, CO (US)
- (73) Assignee: **Legacy Custom Products, Inc.**,  
Durango, CO (US)
- (\*\*) Term: **15 Years**
- (21) Appl. No.: **29/562,214**
- (22) Filed: **Apr. 22, 2016**
- (51) **LOC (10) Cl.** ..... **22-01**
- (52) **U.S. Cl.**  
USPC ..... **D22/108**
- (58) **Field of Classification Search**  
USPC ..... D22/104, 108  
CPC ..... F41C 3/14; F41C 3/16; F41C 3/04  
See application file for complete search history.

- 9,404,709 B2 \* 8/2016 Addis ..... F41A 17/38
- 9,500,439 B1 \* 11/2016 Dietrich ..... F41A 3/72
- 9,523,554 B2 \* 12/2016 Mayberry ..... F41C 23/16
- 9,581,412 B2 \* 2/2017 Cheng ..... F41G 11/005

\* cited by examiner

*Primary Examiner* — Michael A Pratt

(74) *Attorney, Agent, or Firm* — Holzer Patel Drennan

(57) **CLAIM**

I claim the ornamental design for a magazine well funnel, as shown and described.

**DESCRIPTION**

FIG. 1 is a perspective view from below of a magazine well funnel according to our new design.

FIG. 2 is a perspective view from above of a magazine well funnel according to our new design.

FIG. 3 is a top view of a magazine well funnel according to our new design.

FIG. 4 is a front view of a magazine well funnel according to our new design.

FIG. 5 is a right side view of a magazine well funnel according to our new design, the left side view being a mirror image thereof.

FIG. 6 is a back view of a magazine well funnel according to our new design.

FIG. 7 is a bottom view of a magazine well funnel according to our new design; and,

FIG. 8 is a side view of a magazine well funnel according to our new design inserted into a pistol.

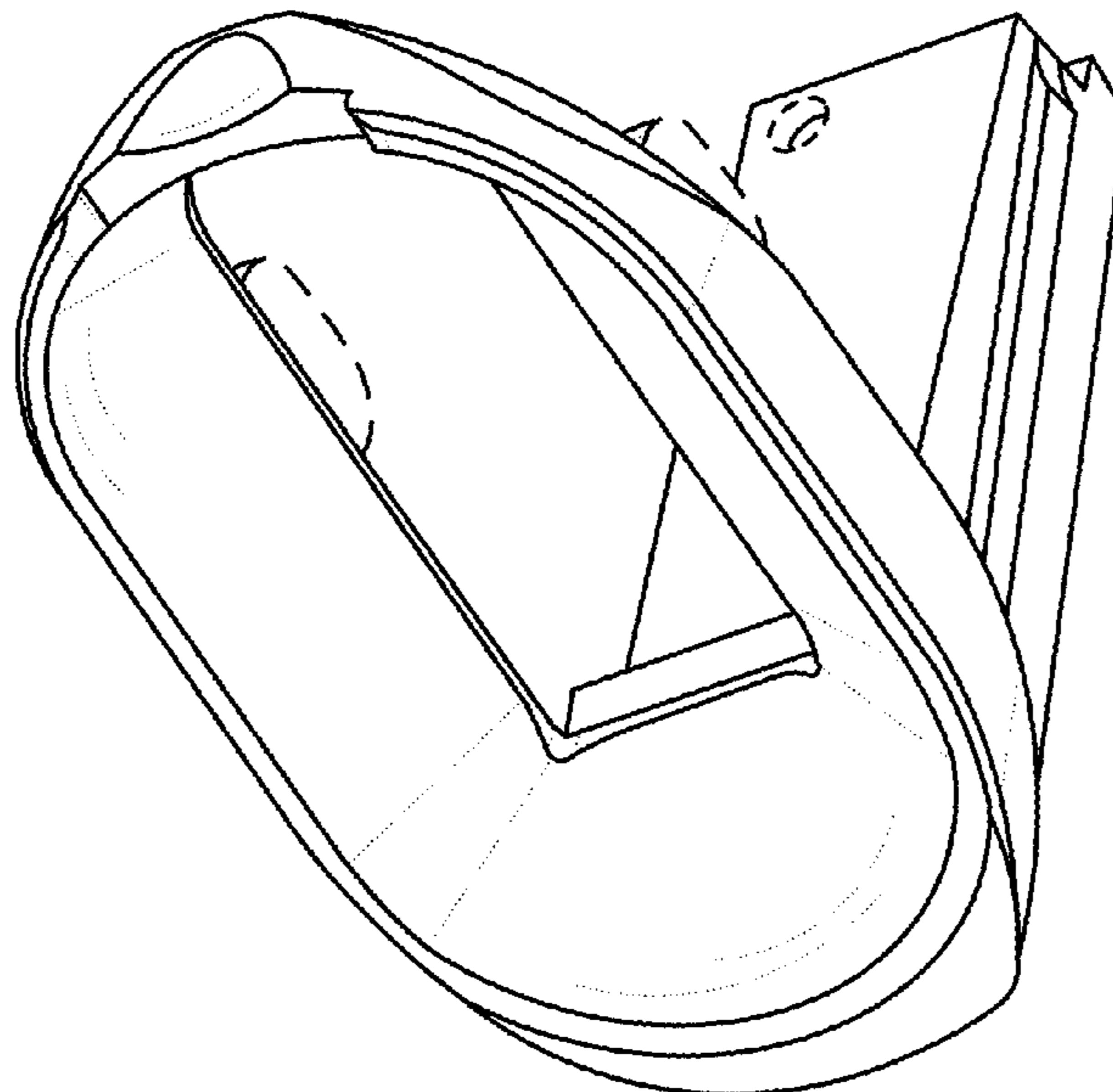
The broken lines shown in each of FIGS. 1-8 depict one or more of a stabilization tab, a pin hole, and pistol body, all of which form no part of the claimed design in FIGS. 1-8.

(56) **References Cited**

U.S. PATENT DOCUMENTS

- 5,584,136 A \* 12/1996 Boland ..... F41A 9/71  
42/50
- 6,481,138 B1 \* 11/2002 Roca ..... F41A 17/063  
42/70.06
- 7,191,556 B2 \* 3/2007 Pikielny ..... F41C 23/10  
42/50
- 8,127,480 B1 \* 3/2012 McManus ..... F41A 9/61  
42/49.02
- 8,832,987 B2 \* 9/2014 Addis ..... F41A 17/38  
42/49.01
- 9,354,011 B2 \* 5/2016 Cooke ..... F41A 17/063

**1 Claim, 8 Drawing Sheets**



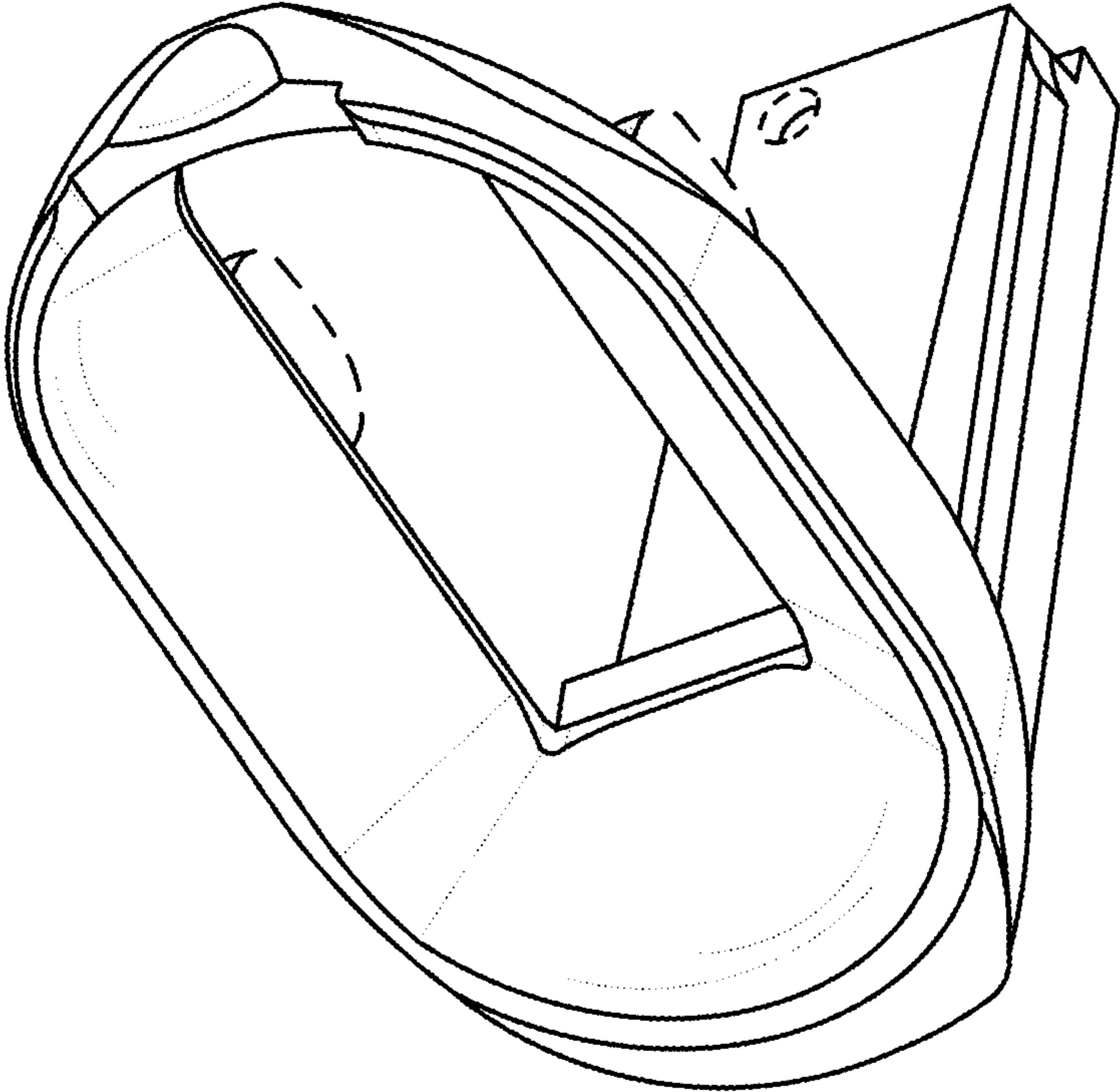


FIG. 1

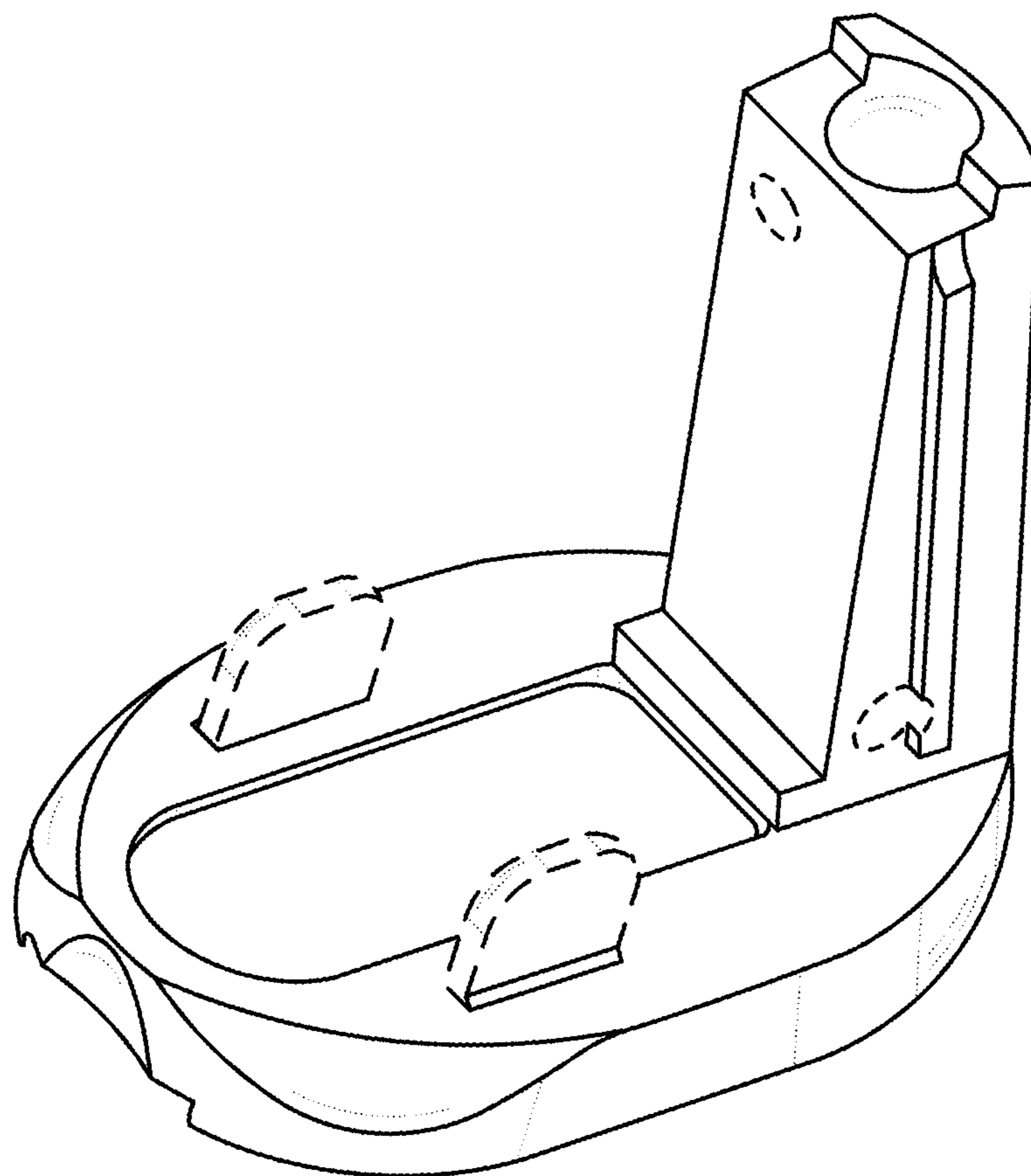


FIG. 2

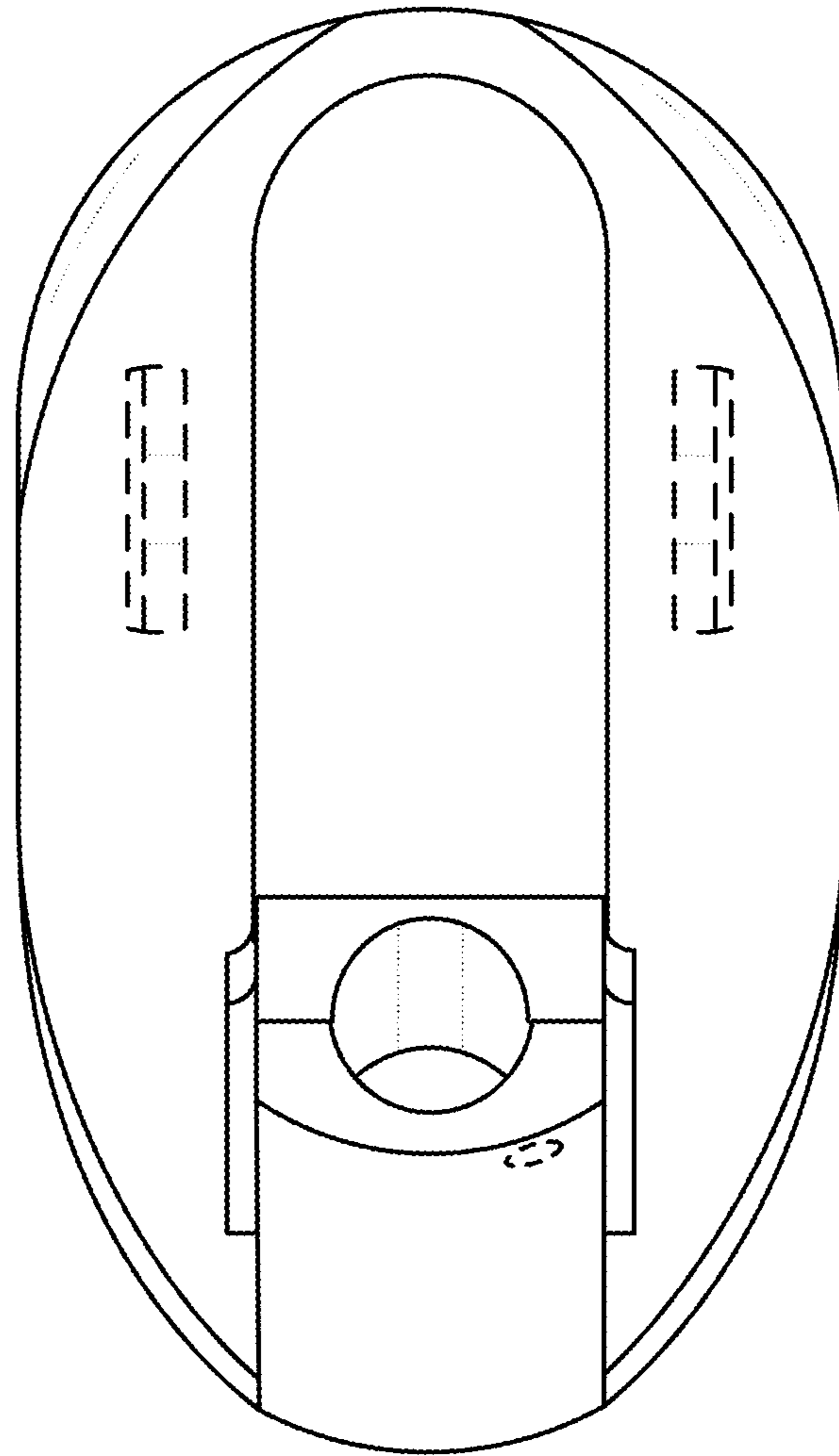


FIG. 3

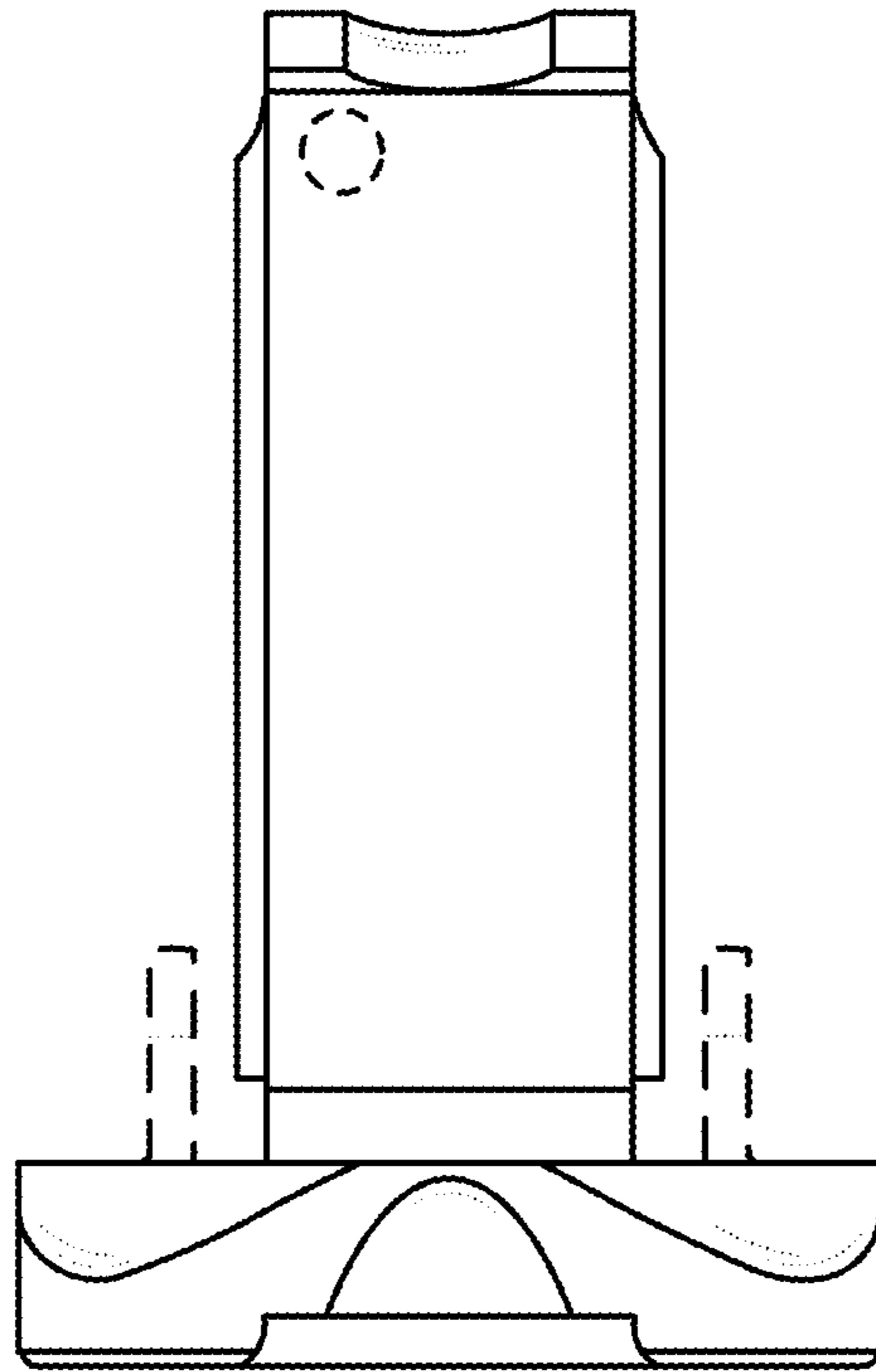


FIG. 4

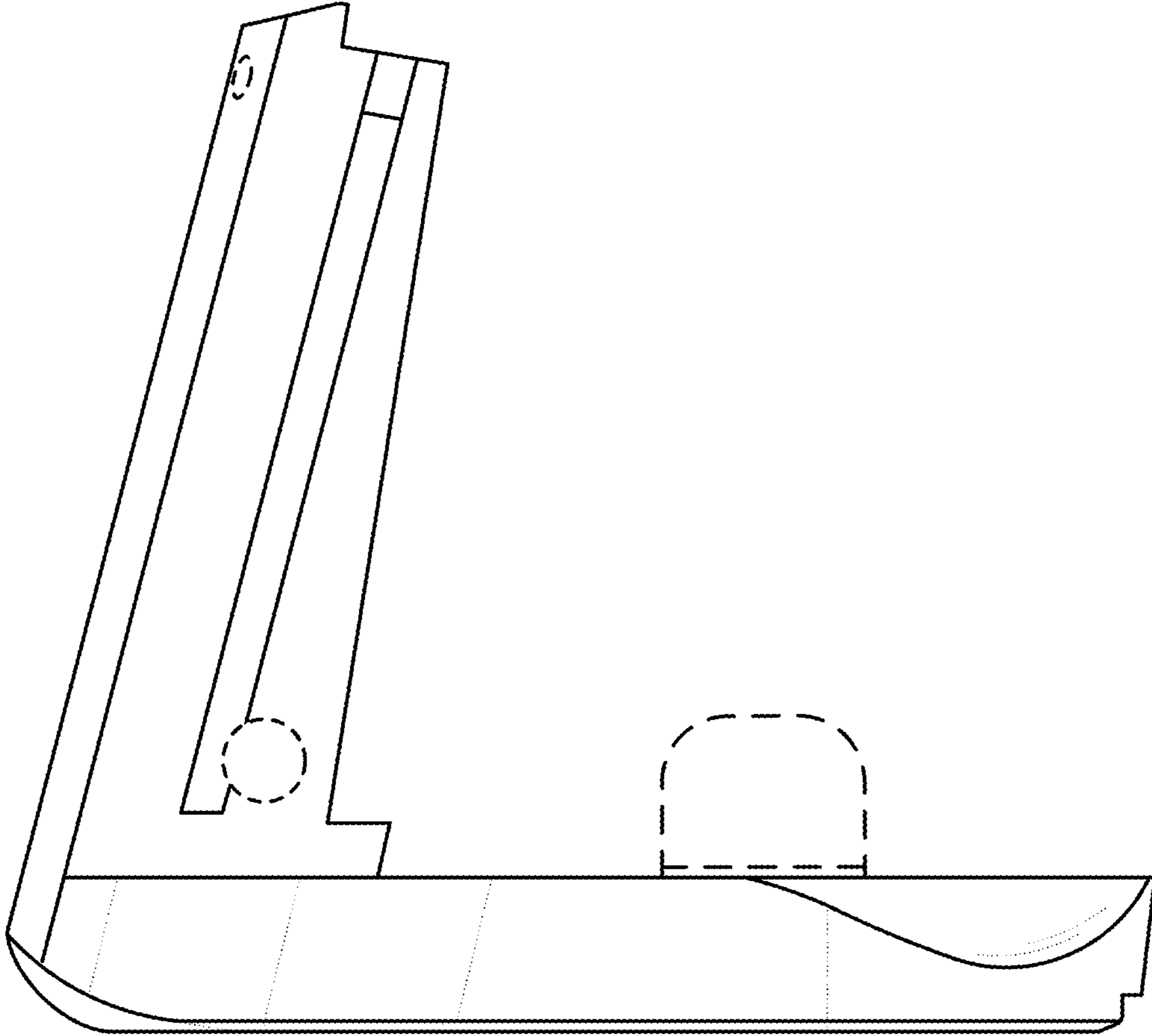


FIG. 5

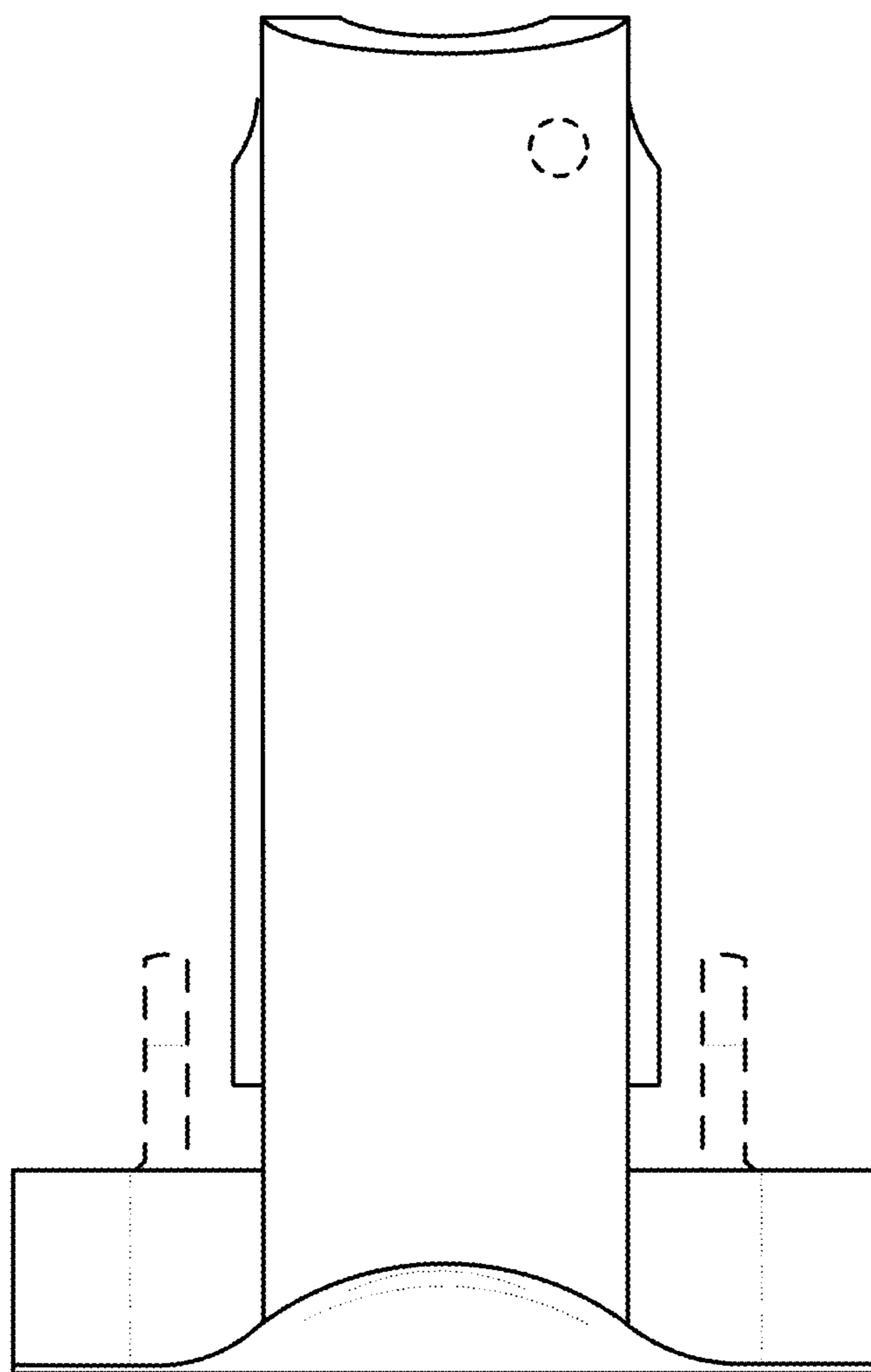


FIG. 6

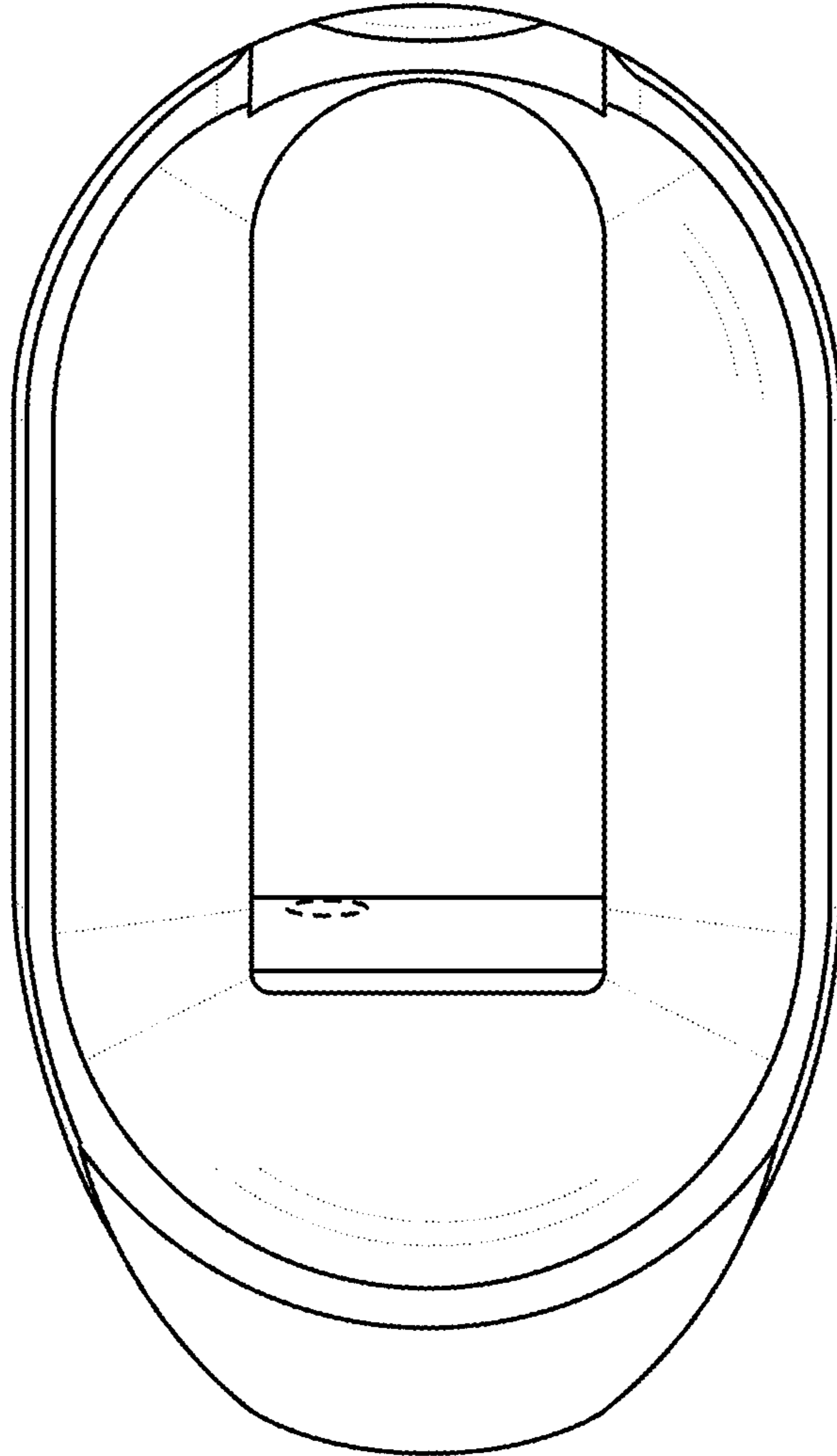


FIG. 7



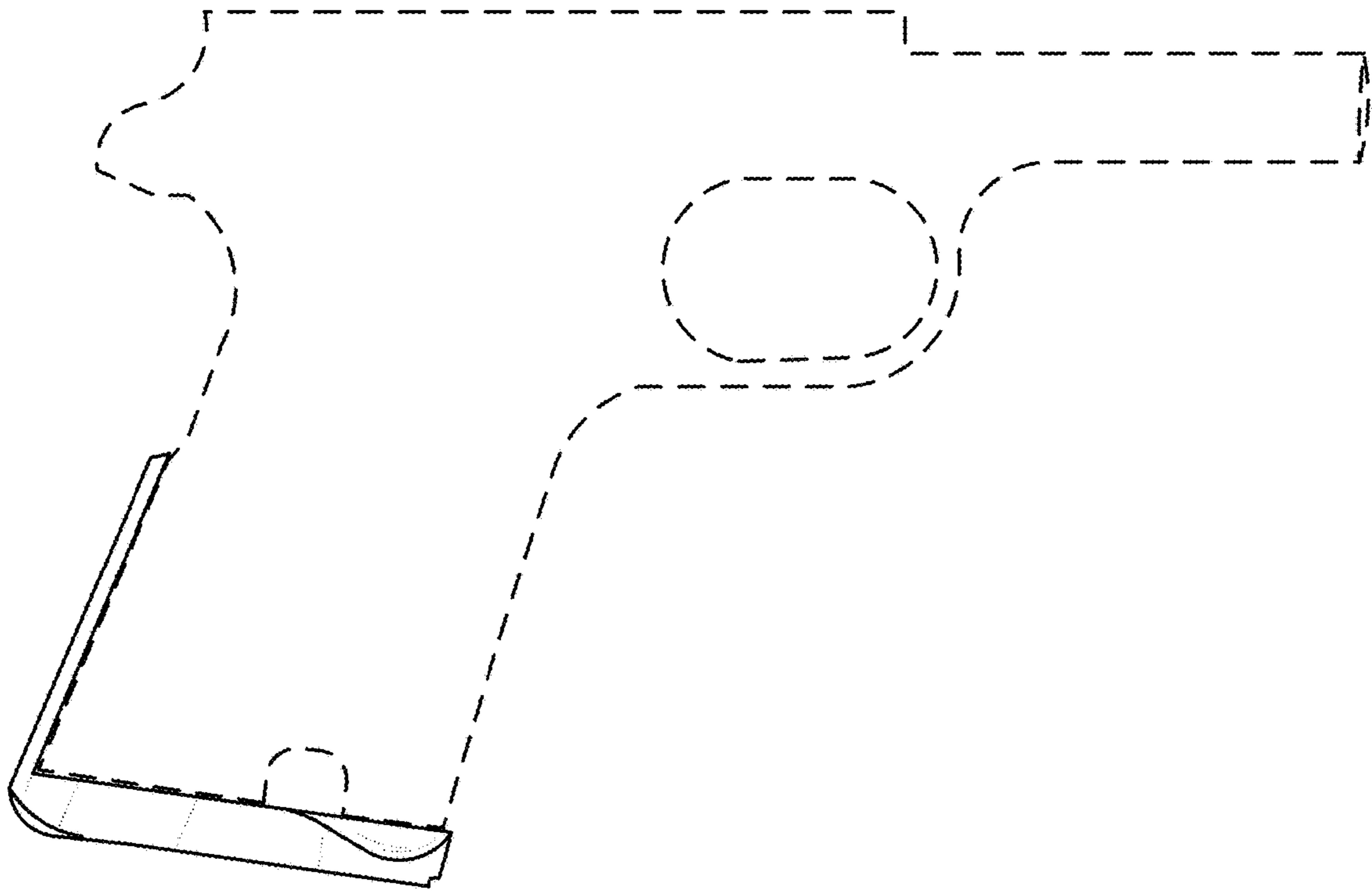


FIG. 8