



US00D799628S

(12) **United States Design Patent**
Fasting

(10) **Patent No.:** **US D799,628 S**

(45) **Date of Patent:** **** Oct. 10, 2017**

(54) **TENT**

D765,206 S * 8/2016 Li D21/834
D779,612 S * 2/2017 Cheng D21/838

(71) Applicant: **STOREBJØRN AS**, Færvik (NO)

* cited by examiner

(72) Inventor: **Jan Fasting**, Arendal (NO)

Primary Examiner — George D Kirschbaum

(**) Term: **15 Years**

(57) **CLAIM**

The ornamental design for a tent, as shown and described.

(21) Appl. No.: **35/501,113**

DESCRIPTION

(22) Filed: **Feb. 15, 2016**

(80) **Hague Agreement Data**

Int. Filing Date: **Feb. 15, 2016**

Int. Reg. No.: **DM/090967**

Int. Reg. Date: **Feb. 15, 2016**

Int. Reg. Pub. Date: **Jun. 17, 2016**

- 1. Tent
- 1.1 : Perspective
- 1.2 : Perspective
- 1.3 : Perspective
- 1.4 : Front
- 1.5 : Top
- 1.6 : Bottom
- 1.7 : Left
- 1.8 : Back
- 1.9 : Top
- 1.10 : Bottom
- 1.11 : Left

(51) **LOC (10) Cl.** **21-04**

(52) **U.S. Cl.**
USPC **D21/834**

(58) **Field of Classification Search**

USPC D21/838, 834, 835
CPC E04H 15/006; E04H 15/008; E04H 15/20
See application file for complete search history.

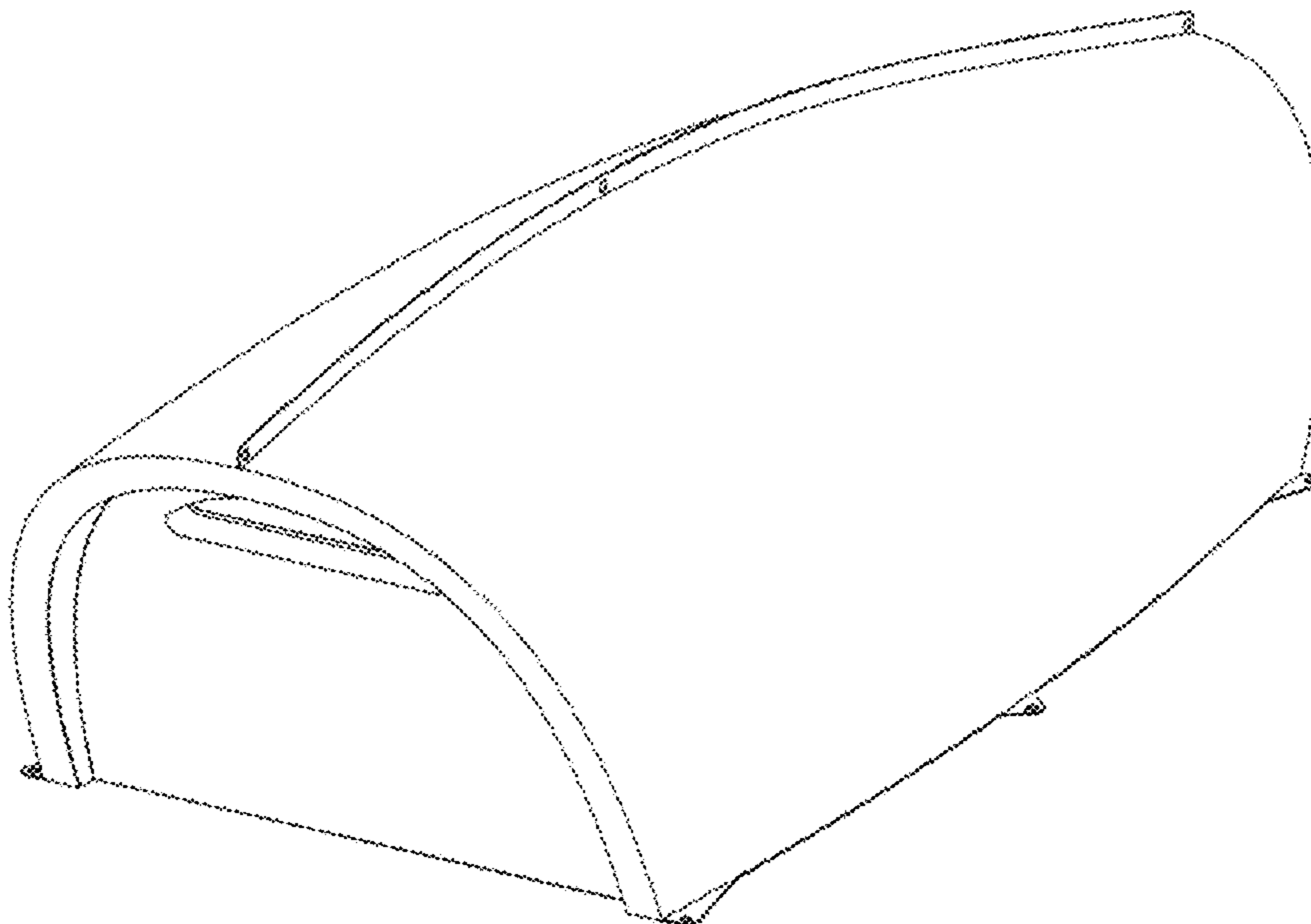
Fig. 1.1 is a front, right perspective view showing the design with front door in the closed position; Fig. 1.2 is a front, right perspective view thereof, with front door in the open position; Fig. 1.3 is a rear, right perspective view thereof, with front door in the closed position; Fig. 1.4 is a front view thereof, with front door in the closed position; Fig. 1.5 is a top view thereof, with front door in the closed position; Fig. 1.6 is a bottom view thereof, with front door in the closed position; Fig. 1.7 is a left side view thereof, with front door in the closed position; Fig. 1.8 is a back view thereof; Fig. 1.9 is a top view thereof, with front door in the open position; Fig. 1.10 is a bottom view thereof, with front door in the open position; Fig. 1.11 is a left side view thereof, with front door in the open position.

(56) **References Cited**

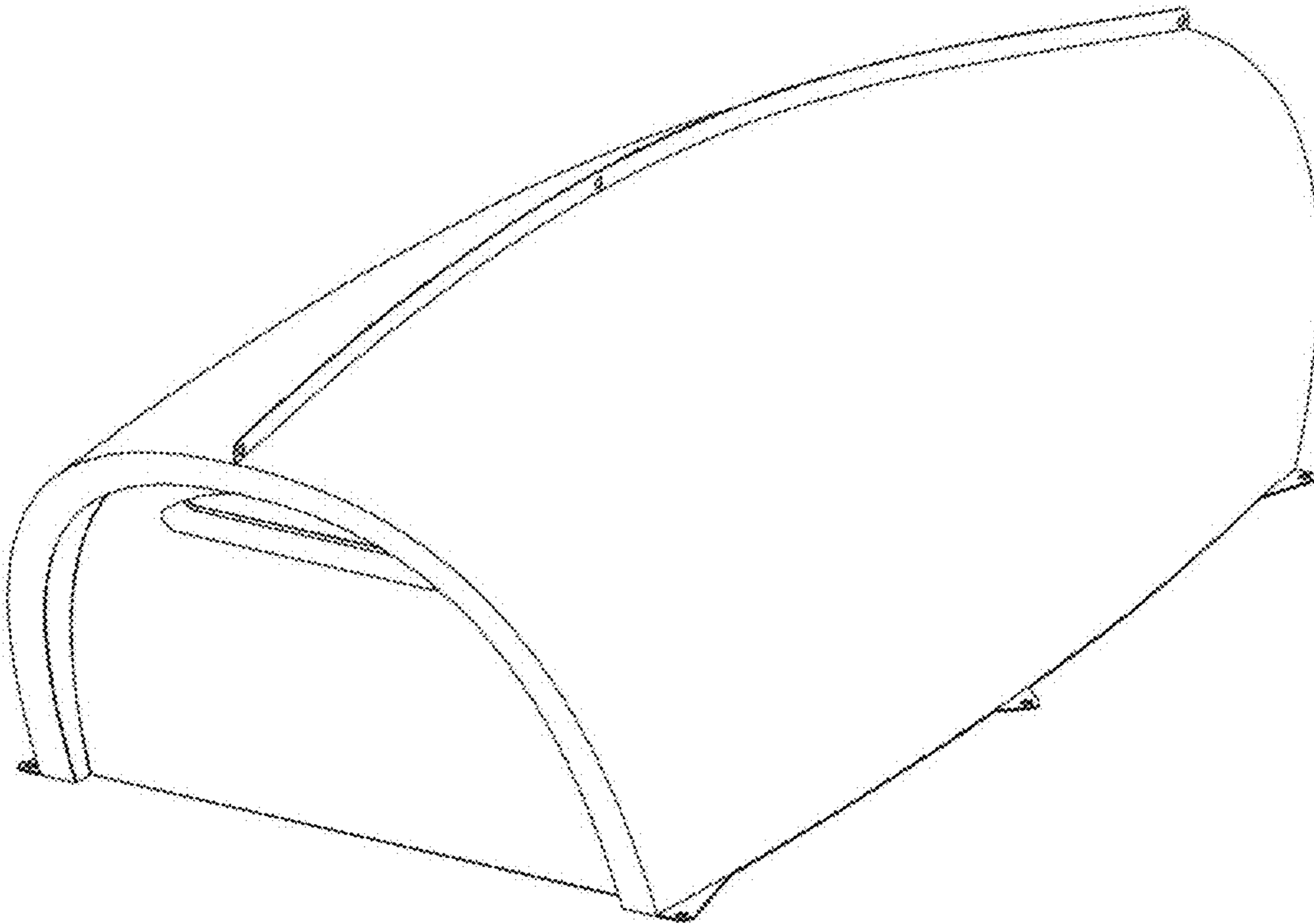
U.S. PATENT DOCUMENTS

- D232,850 S * 9/1974 Bloyd D21/838
- D336,505 S * 6/1993 Danaher D21/838
- D397,399 S * 8/1998 Bury D21/834
- D482,423 S * 11/2003 Newsome D21/835
- D679,771 S * 4/2013 Muggleton D12/401
- D712,994 S * 9/2014 Larson D21/838
- D763,390 S * 8/2016 Smucker D21/834

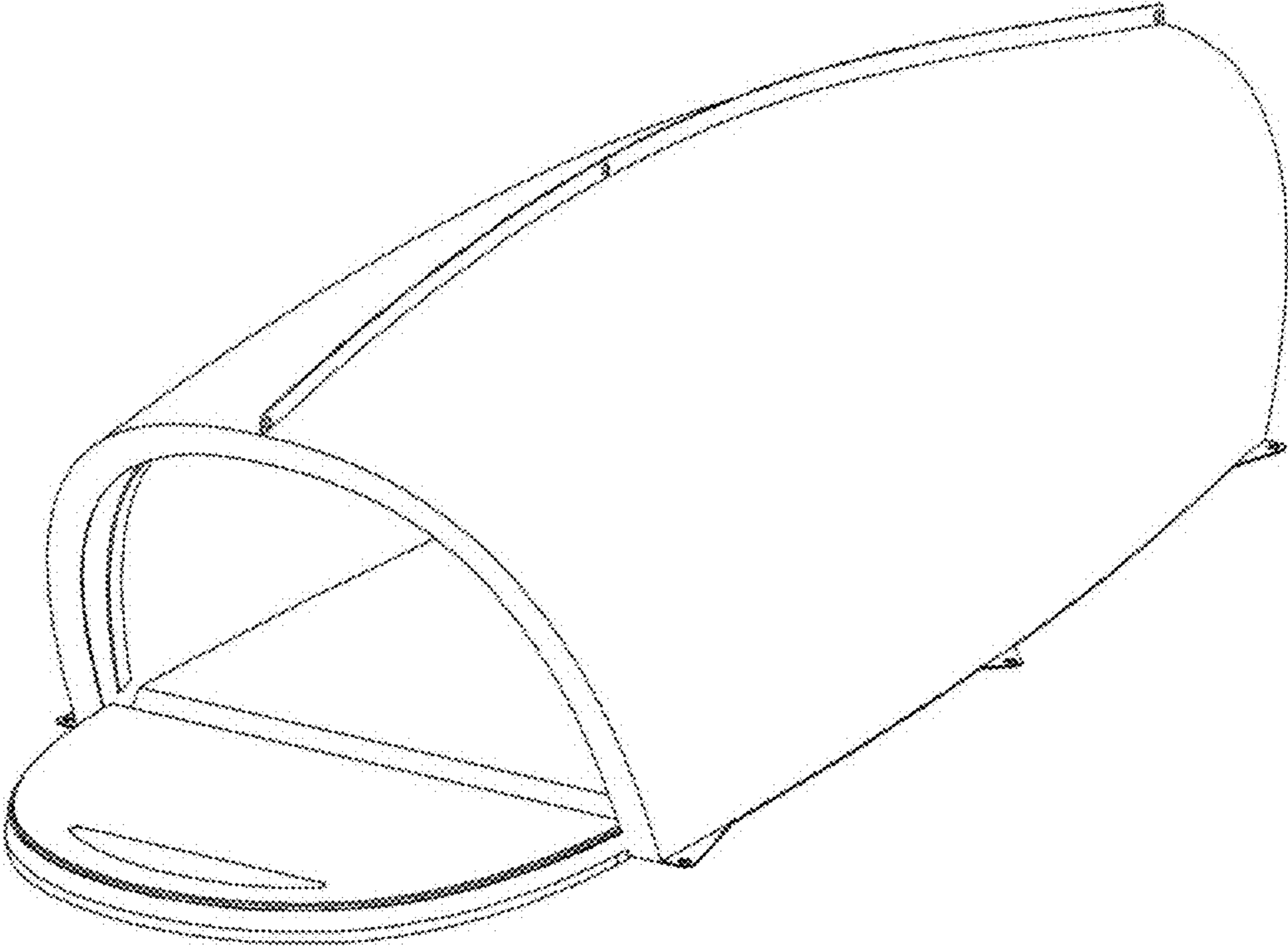
1 Claim, 11 Drawing Sheets



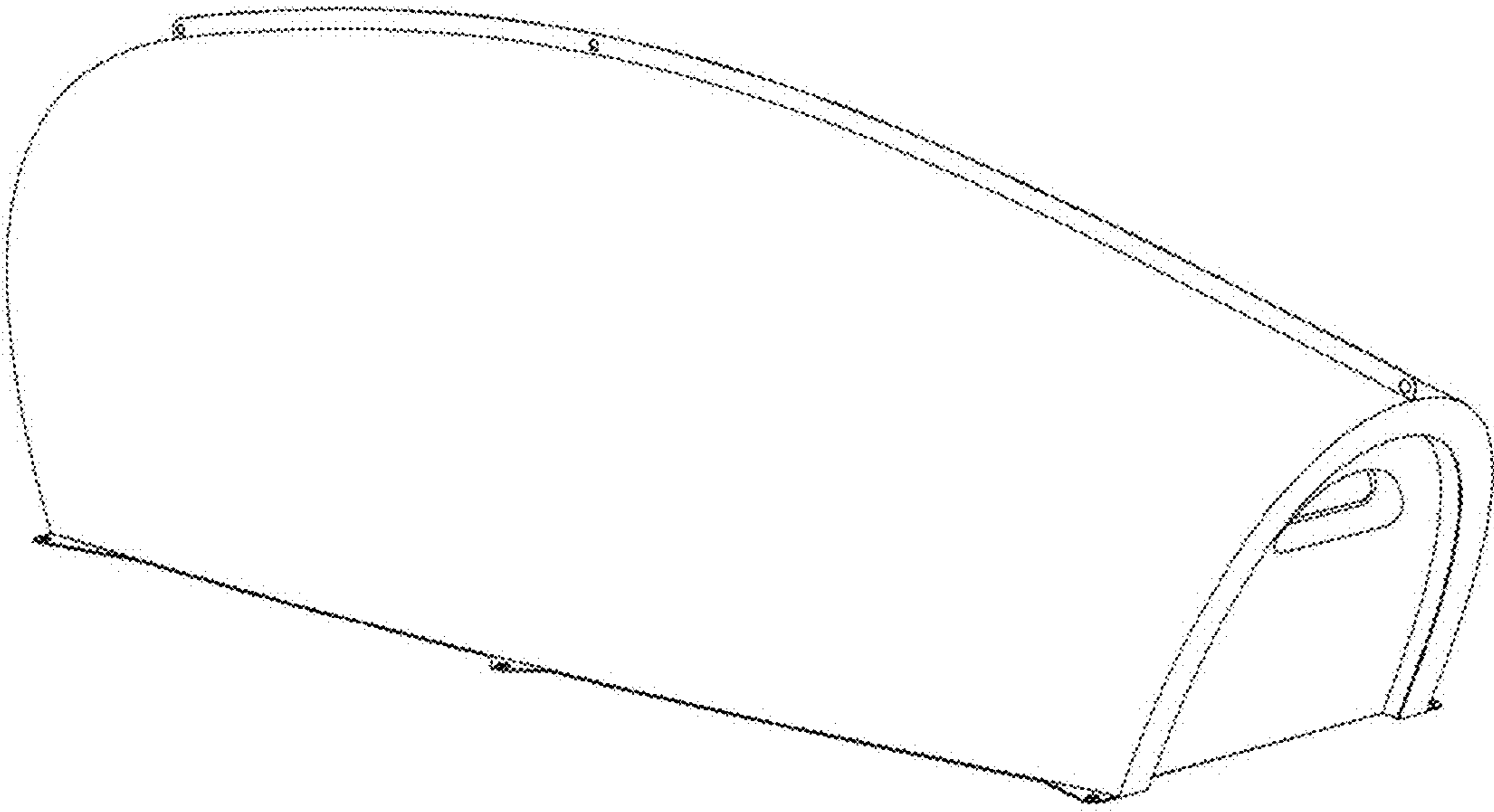
1.1



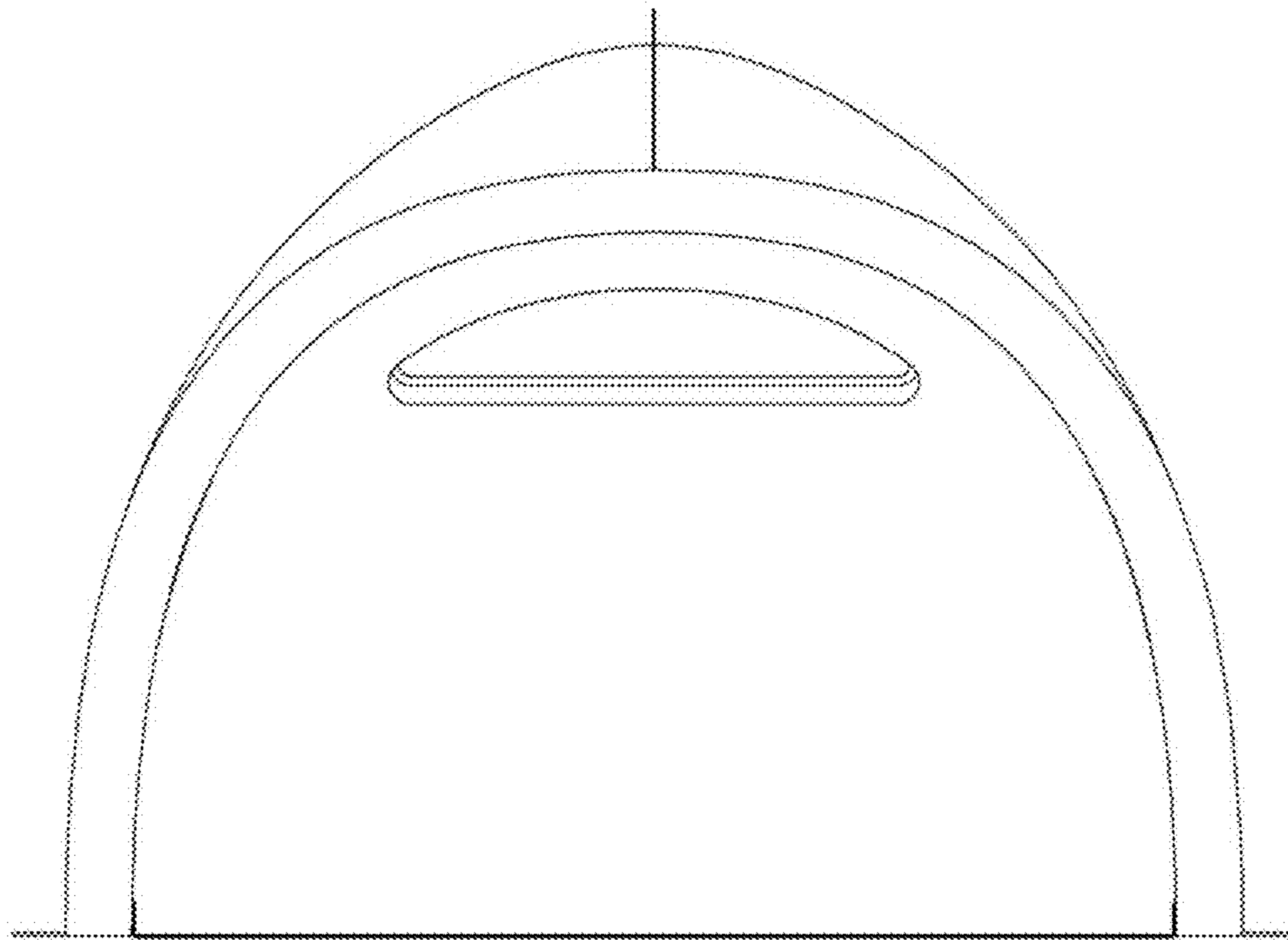
1.2



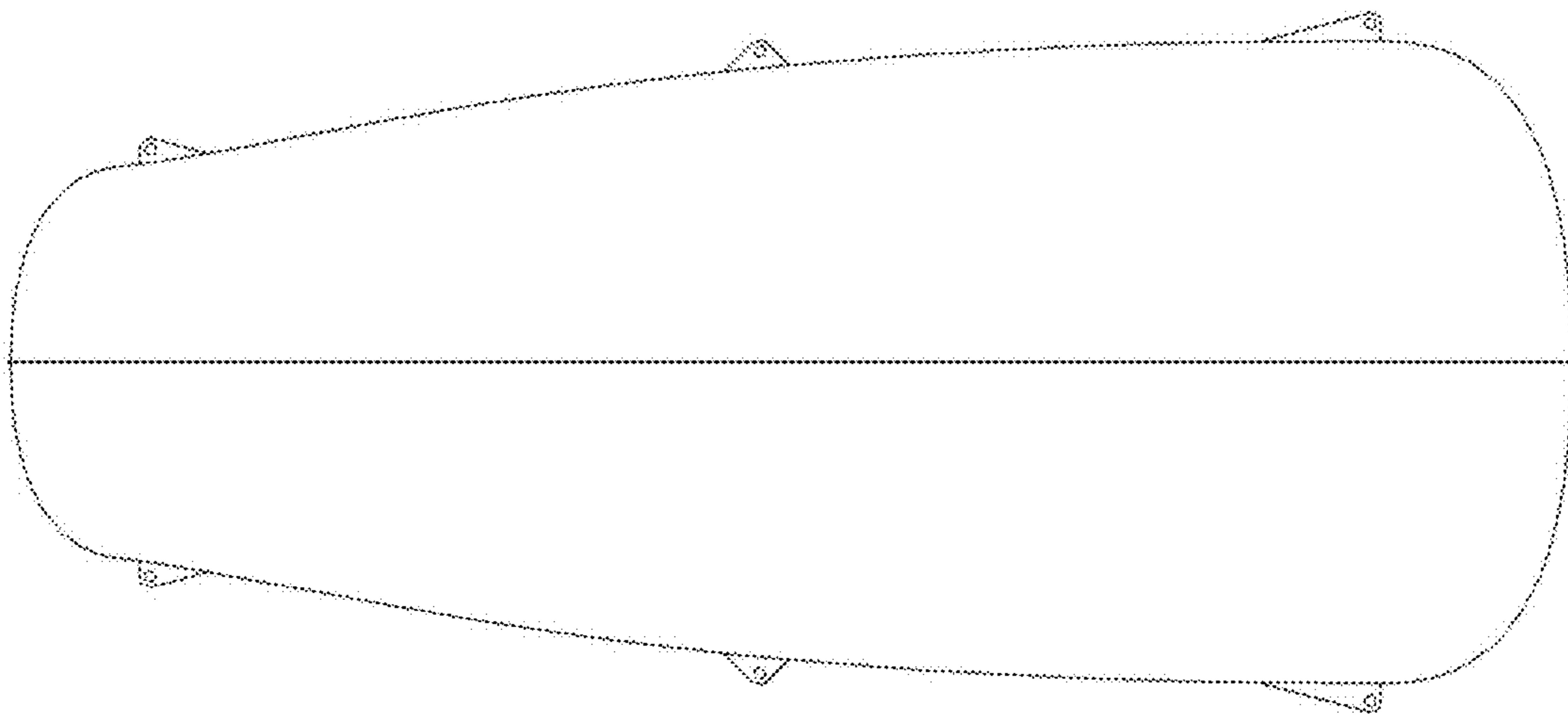
1.3



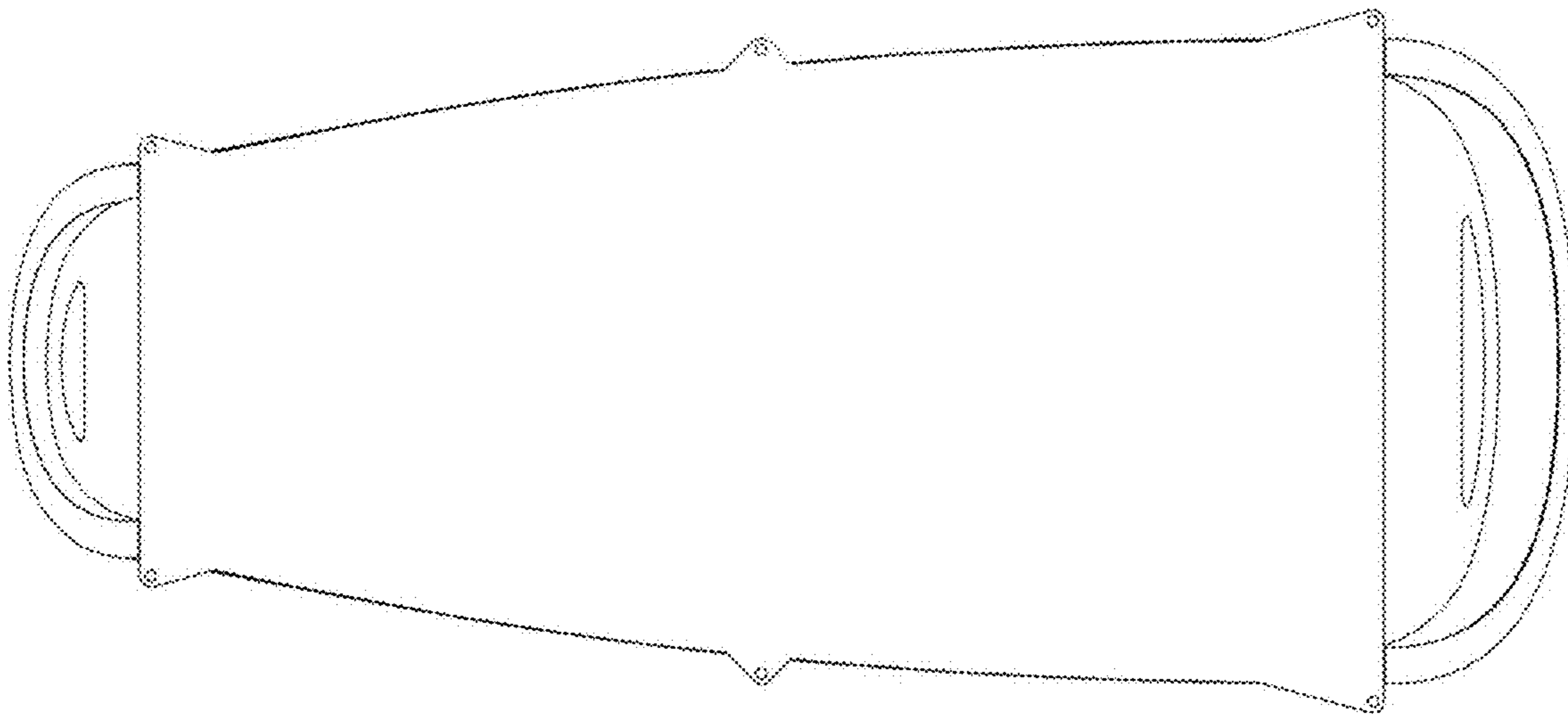
1.4



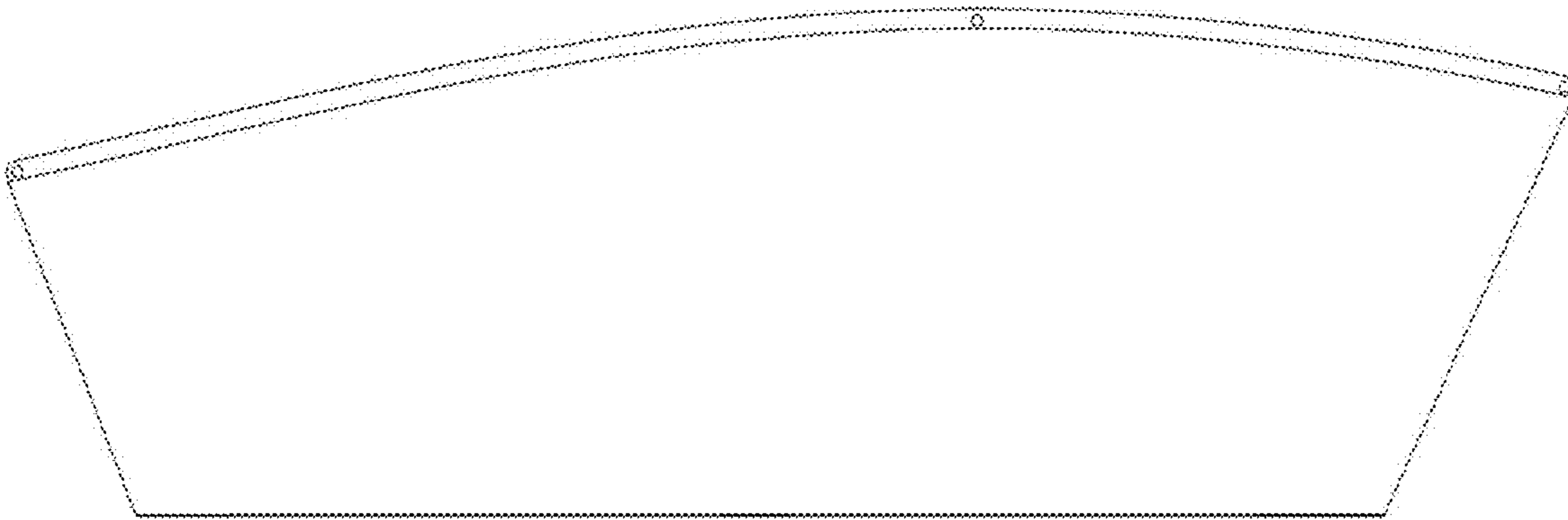
1.5



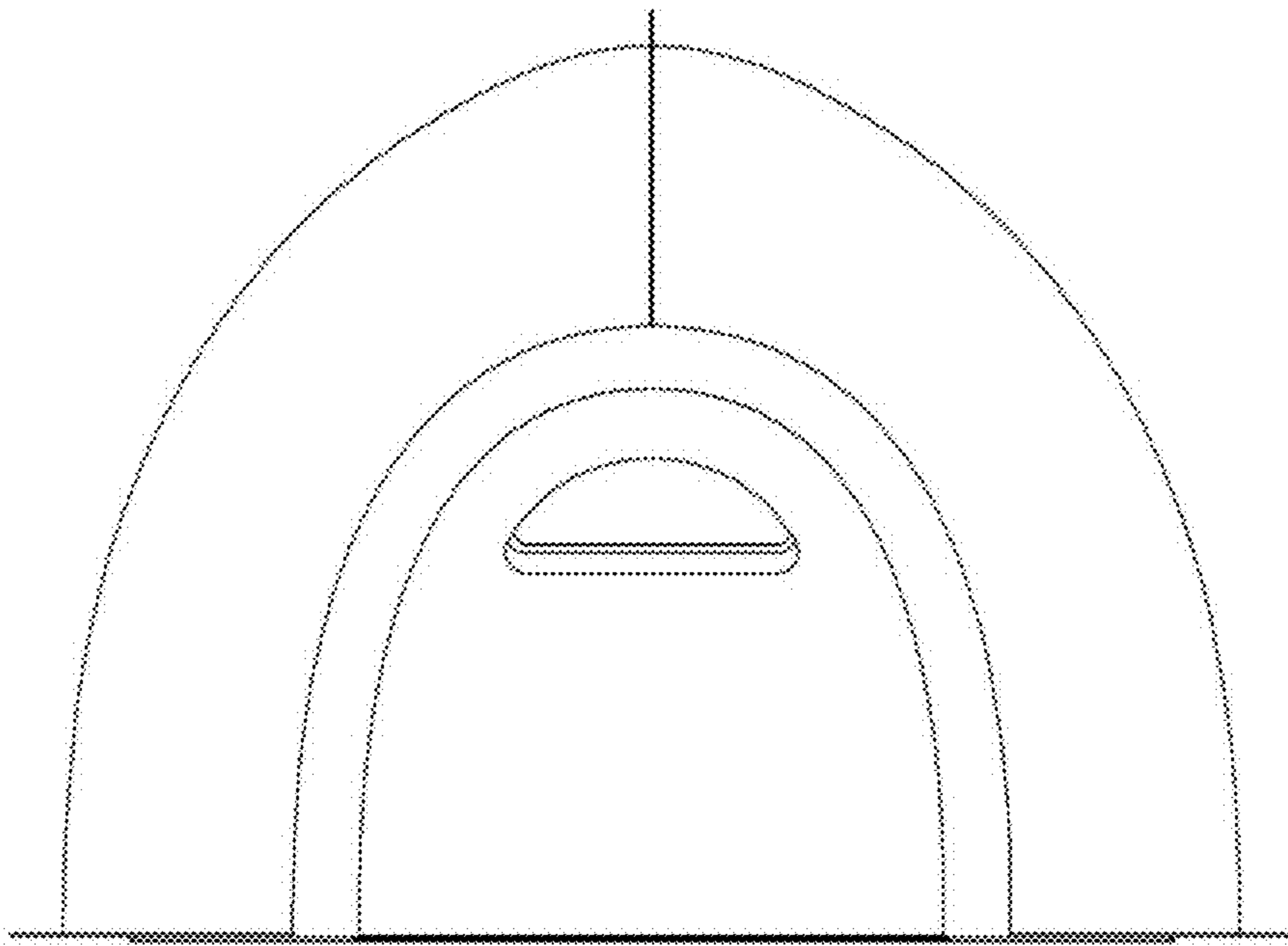
1.6



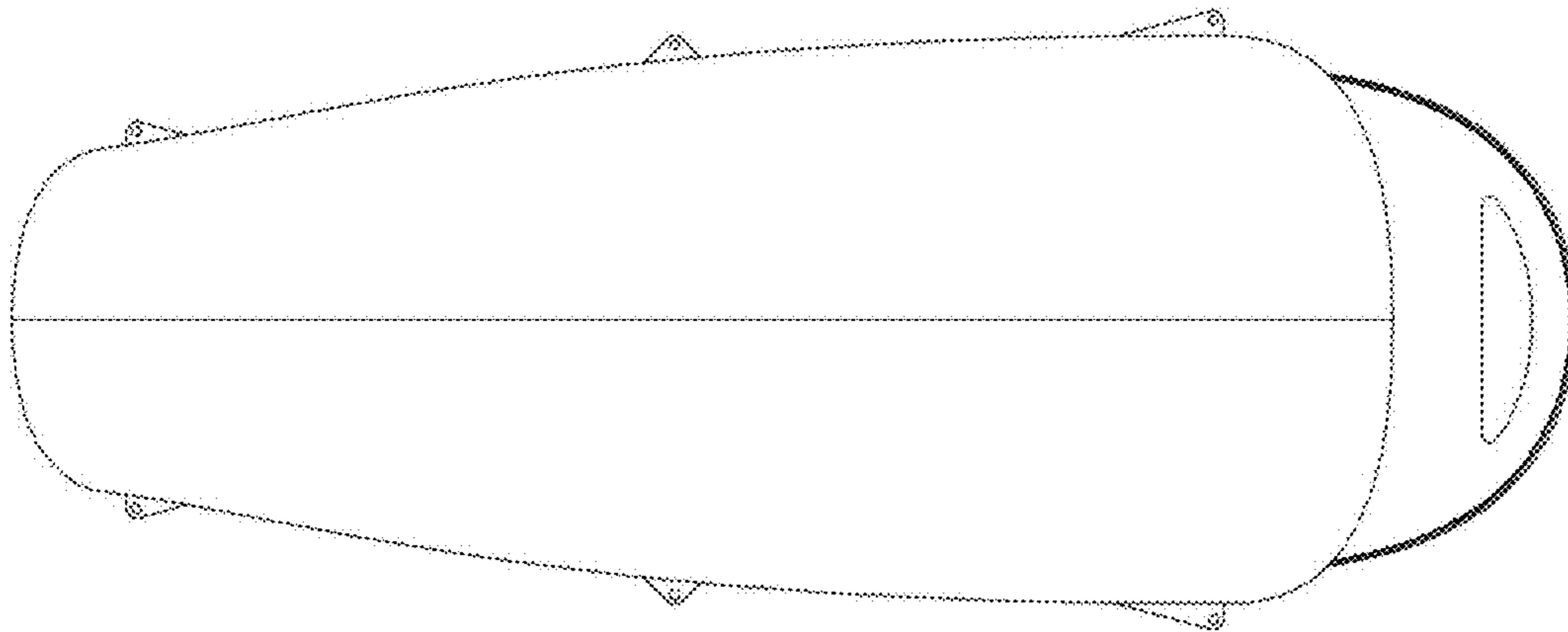
1.7



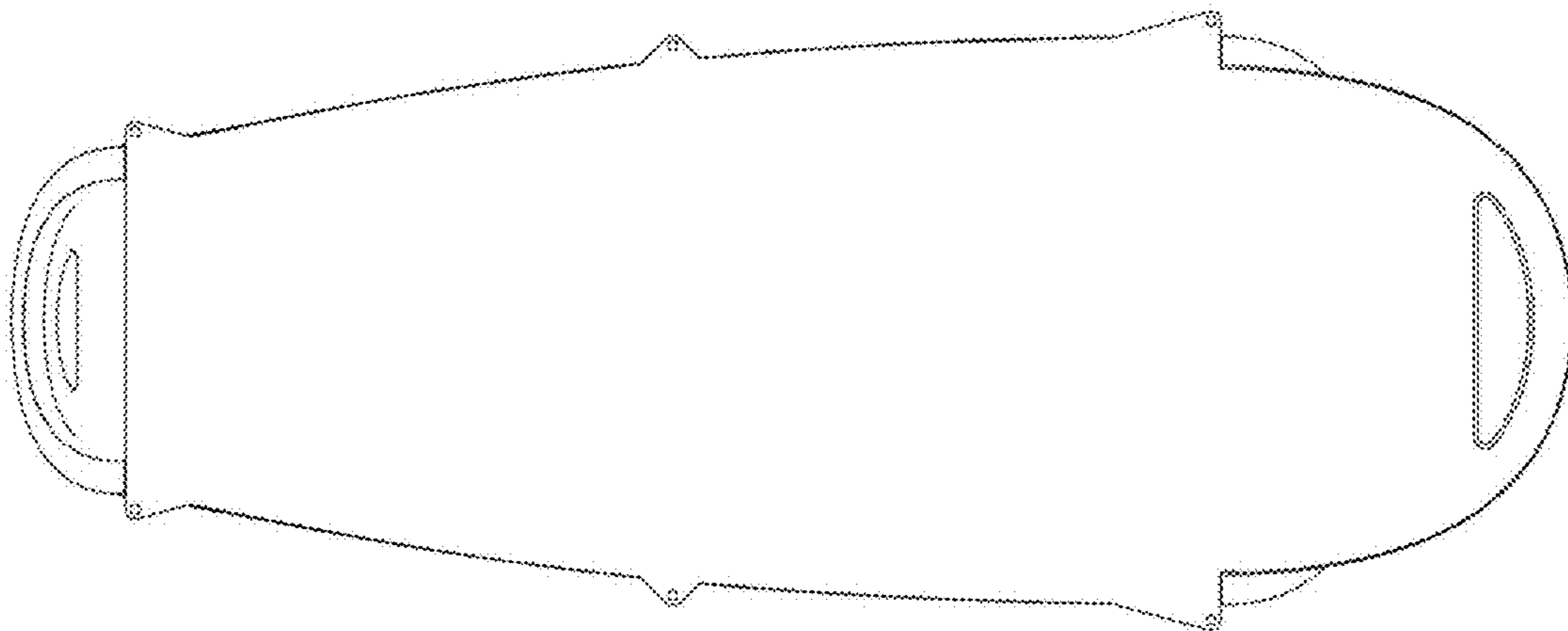
1.8



1.9



1.10



1.11

