



US00D799626S

(12) **United States Design Patent** (10) **Patent No.:** **US D799,626 S**  
**Chen** (45) **Date of Patent:** **\*\* Oct. 10, 2017**

(54) **TRAMPOLINE FRAME**  
(71) Applicant: **Samuel Chen**, Shanghai (CN)  
(72) Inventor: **Samuel Chen**, Shanghai (CN)  
(\*\*) Term: **15 Years**  
(21) Appl. No.: **29/582,229**  
(22) Filed: **Oct. 26, 2016**  
(51) **LOC (10) Cl.** ..... **21-02**  
(52) **U.S. Cl.**  
USPC ..... **D21/797**  
(58) **Field of Classification Search**  
USPC ..... 135/96, 117, 121; 182/139, 224;  
446/220; 473/469; 482/147, 148, 28, 77;  
D21/668, 669, 797, 826, 834, 836, 839;  
D25/1, 22, 61; D30/112, 119; D6/329,  
D6/702  
CPC ..... A63B 5/11; A63B 21/00047  
See application file for complete search history.

8,585,557 B2 \* 11/2013 Ikegami ..... A63B 5/11  
482/27  
2009/0062078 A1 \* 3/2009 VanElverdinghe ..... A63B 5/11  
482/29  
2014/0336005 A1 \* 11/2014 Miller ..... A63B 5/11  
482/27  
2016/0030794 A1 \* 2/2016 Yang ..... A63B 5/11  
482/27

\* cited by examiner

*Primary Examiner* — Cynthia Ramirez  
*Assistant Examiner* — Michael Maharajh  
(74) *Attorney, Agent, or Firm* — Clement Cheng

(57) **CLAIM**

The ornamental design for a trampoline frame, as shown and described.

**DESCRIPTION**

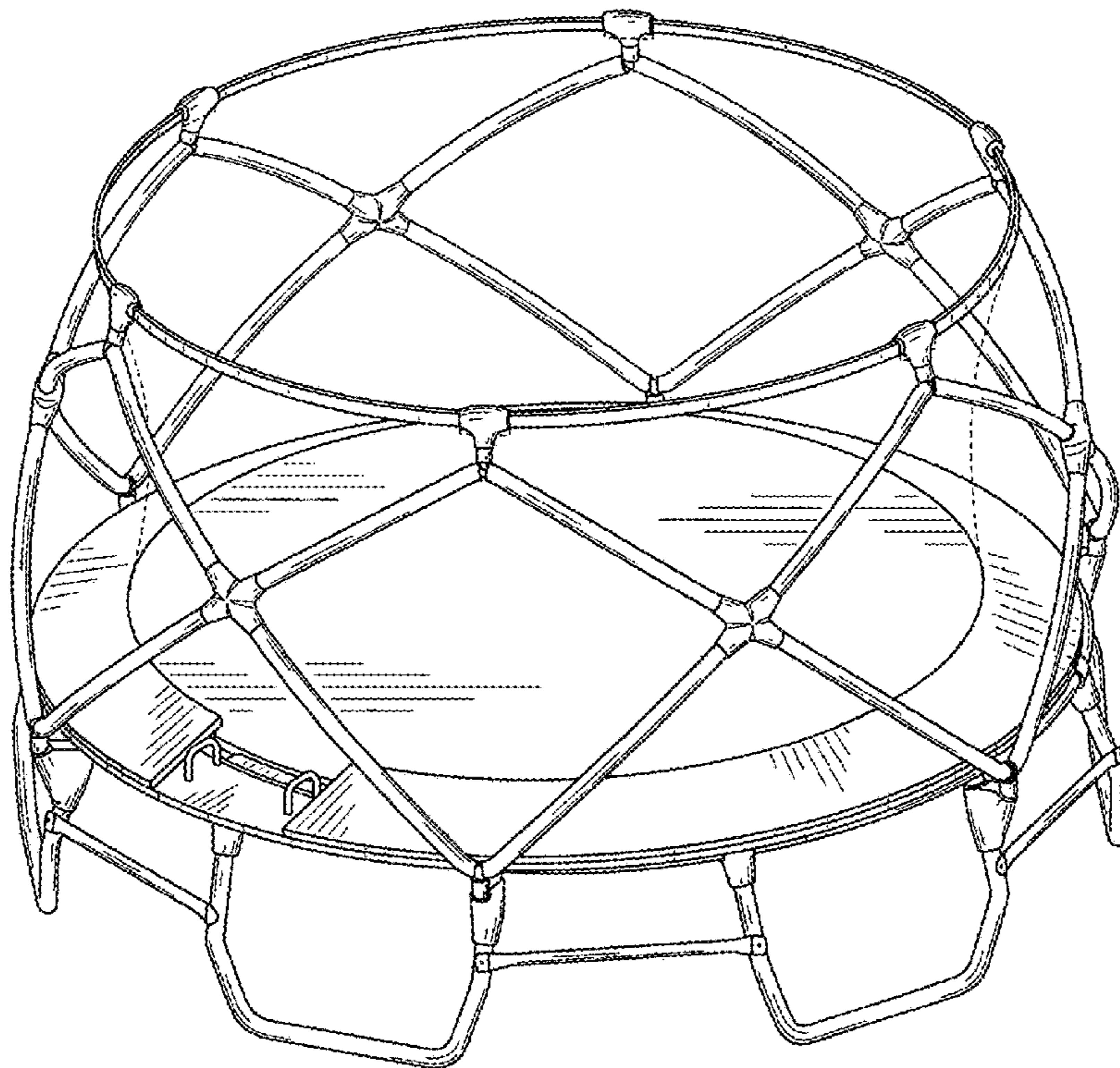
FIG. 1 is a perspective view of a trampoline frame, showing my new design.  
FIG. 2 is a front view.  
FIG. 3 is a rear view.  
FIG. 4 is a left side view.  
FIG. 5 is a right side view.  
FIG. 6 is a top view.  
FIG. 7 is a bottom view; and,  
FIG. 8 is a bottom perspective view.  
The broken lines in the figures are the purpose of illustrating environment and form no part of the claimed design.

(56) **References Cited**

**U.S. PATENT DOCUMENTS**

D187,138 S \* 2/1960 Highberger ..... D21/797  
7,611,443 B2 \* 11/2009 Publicover ..... A63B 5/11  
482/27  
D614,715 S \* 4/2010 Mann ..... D21/797  
D632,355 S \* 2/2011 Kohler ..... D21/826  
D666,266 S \* 8/2012 Publicover ..... D21/797  
D683,415 S \* 5/2013 Yurianto ..... D25/61

**1 Claim, 8 Drawing Sheets**



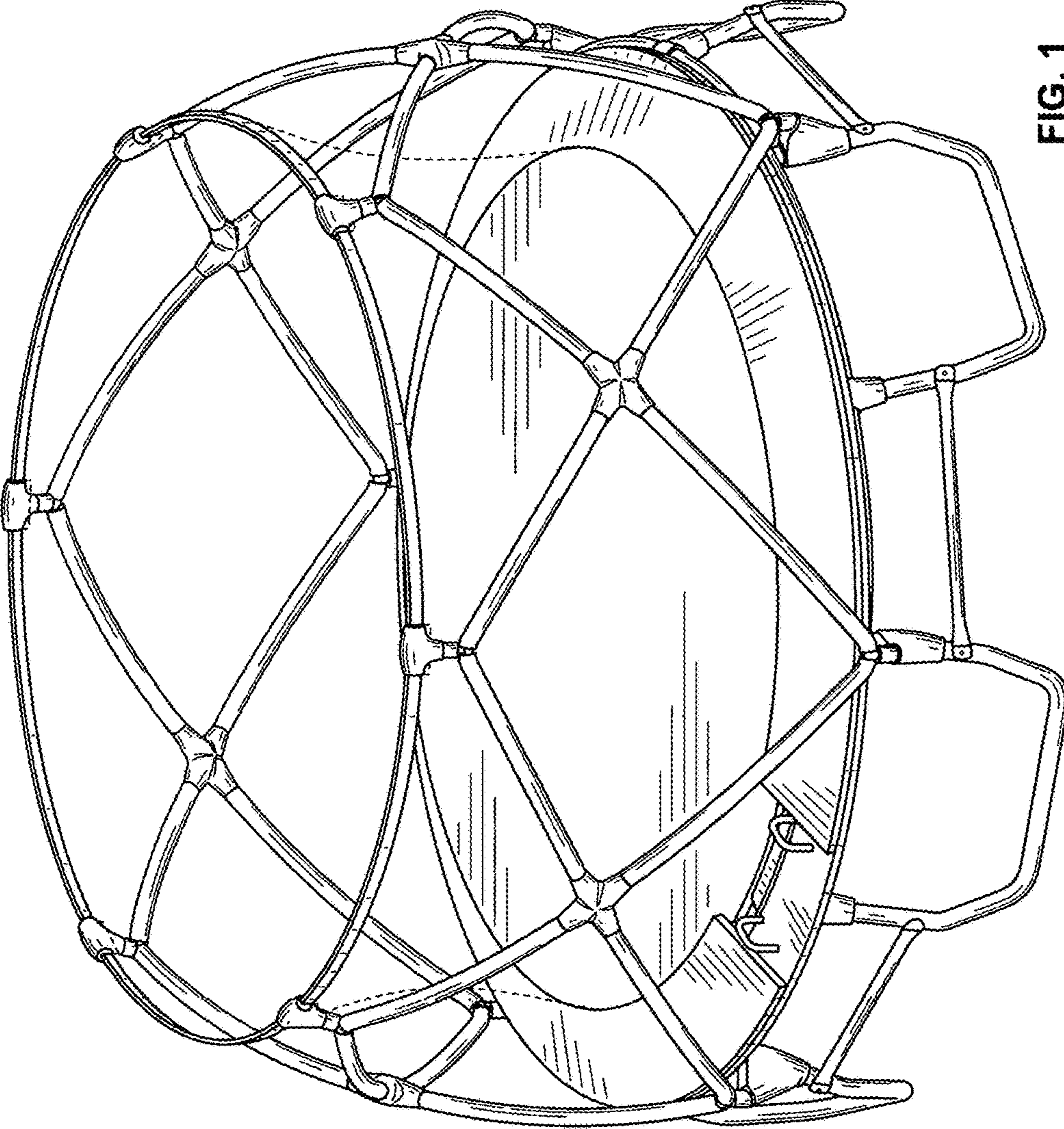


FIG. 1

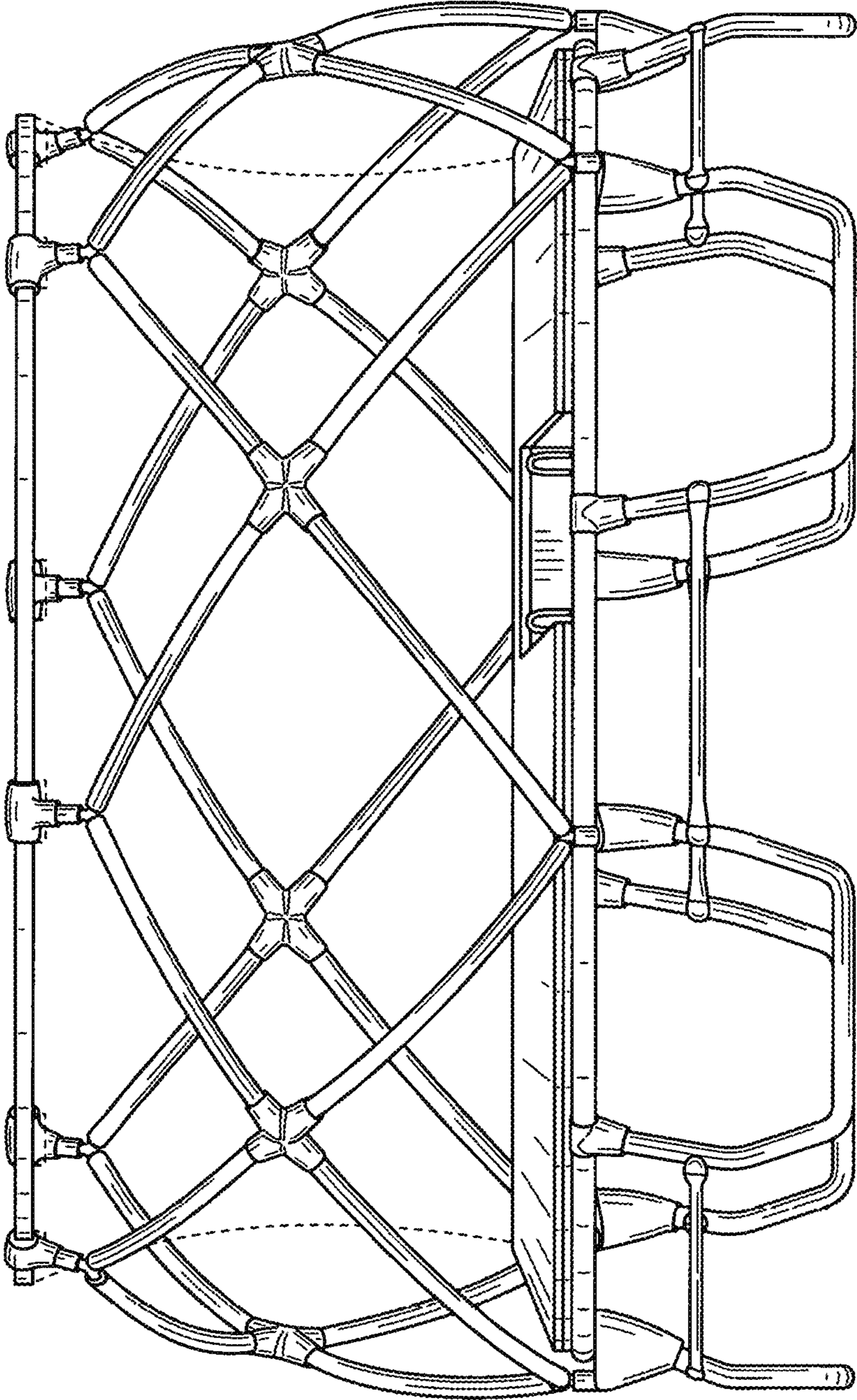


FIG. 2

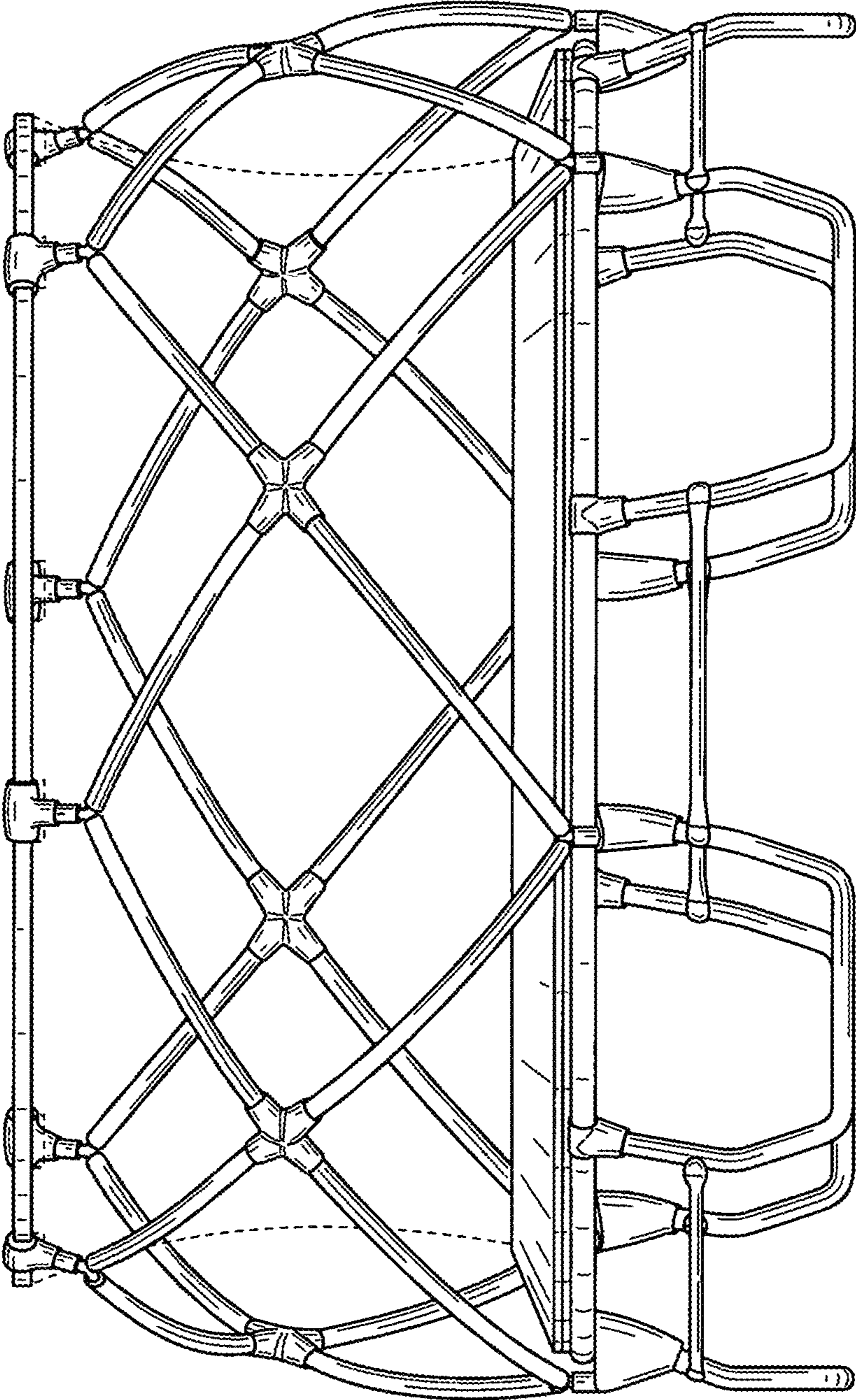


FIG. 3

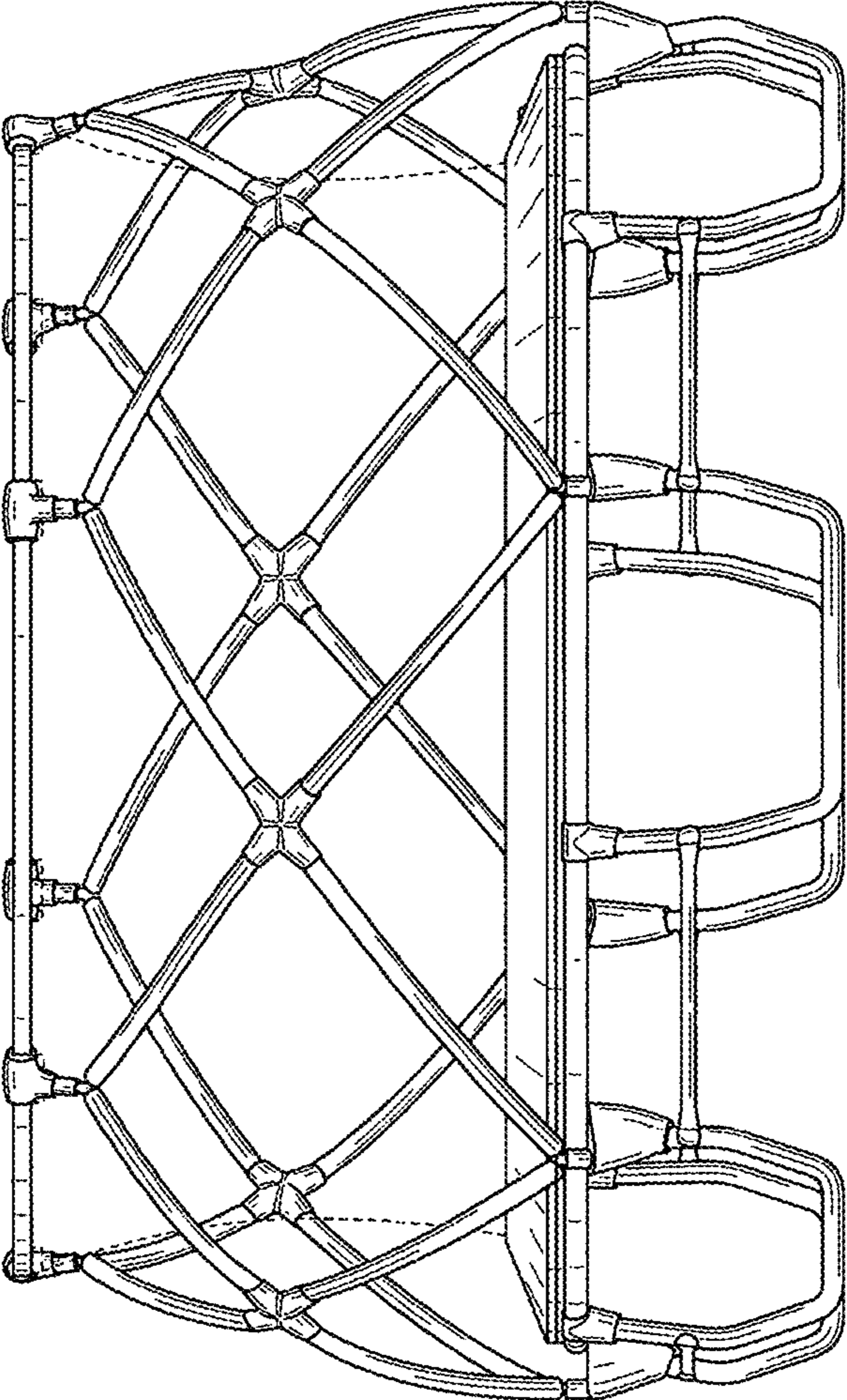


FIG. 4

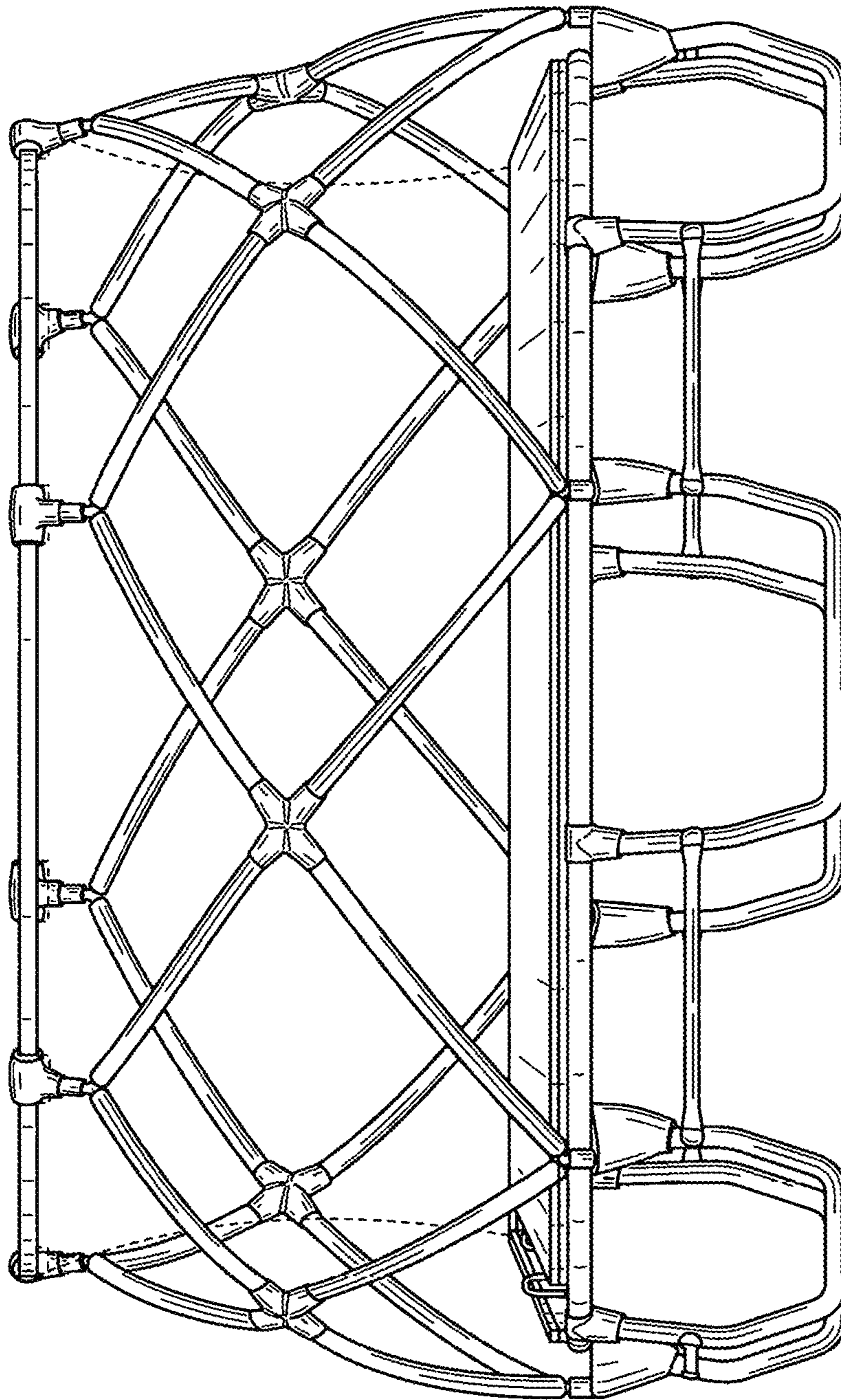


FIG. 5

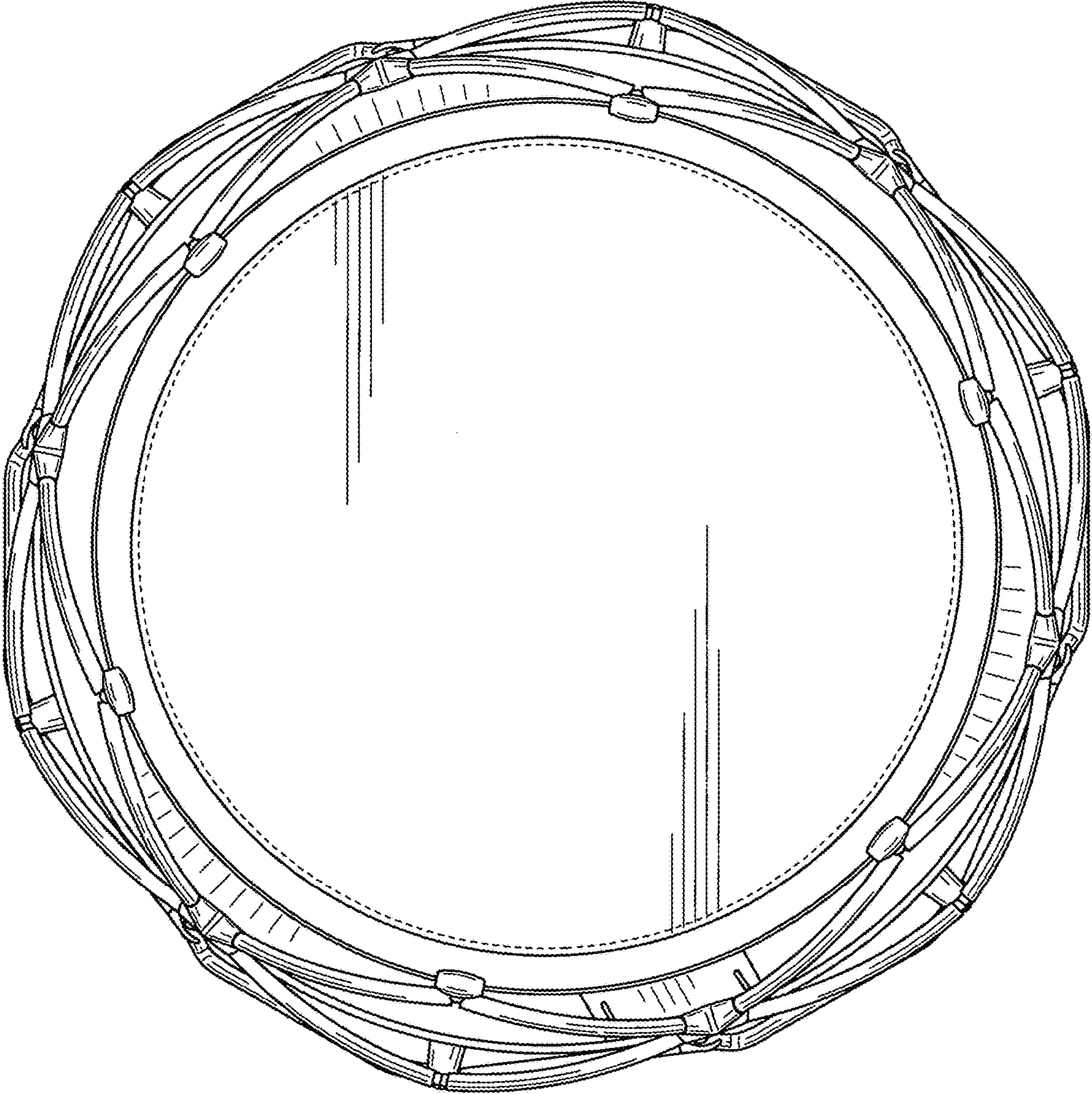


FIG. 6

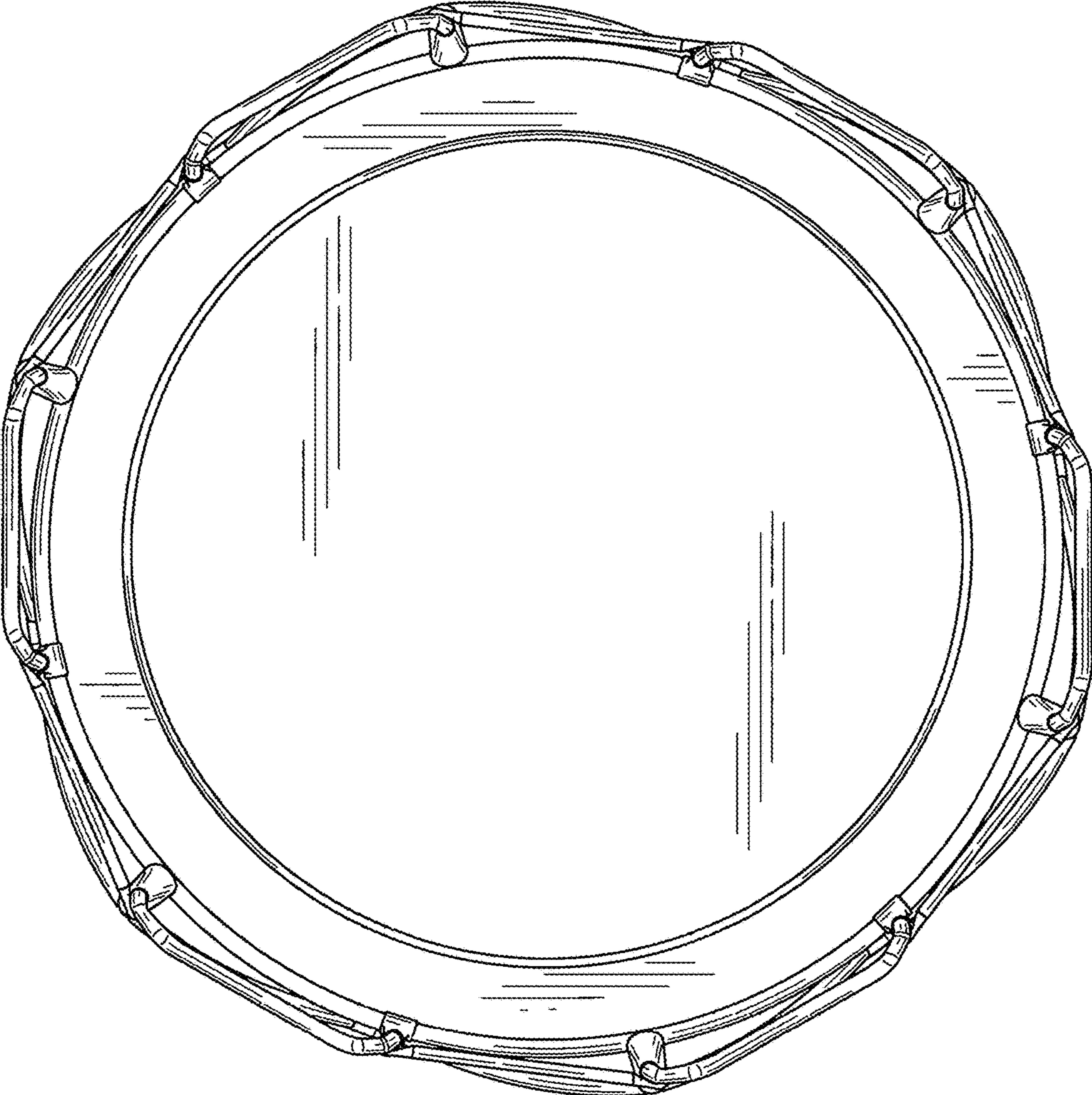


FIG. 7



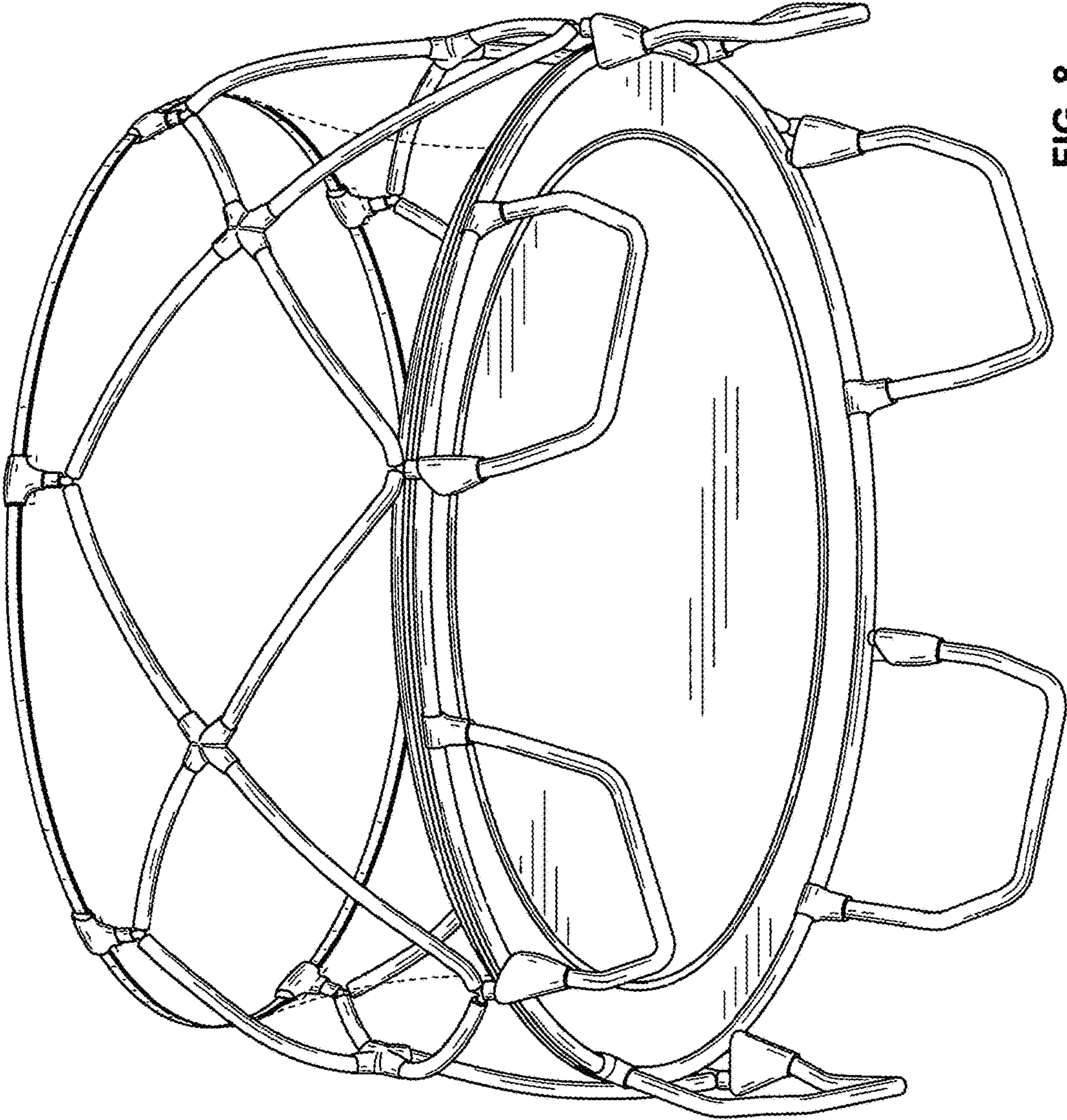


FIG. 8