



US00D799625S

(12) **United States Design Patent**
Chen

(10) **Patent No.:** **US D799,625 S**

(45) **Date of Patent:** **** Oct. 10, 2017**

- (54) **TRIANGULAR TRAMPOLINE**
- (71) Applicant: **Samuel Chen**, Shanghai (CN)
- (72) Inventor: **Samuel Chen**, Shanghai (CN)
- (**) Term: **15 Years**
- (21) Appl. No.: **29/573,629**
- (22) Filed: **Aug. 8, 2016**
- (51) **LOC (10) Cl.** **21-02**
- (52) **U.S. Cl.**
USPC **D21/797**
- (58) **Field of Classification Search**
USPC D21/797, 668, 669, 834, 826, 688;
D6/582-594, 716; 482/27, 35, 29, 112,
482/33, 110, 148, 28, 77, 147, 51;
297/23, 26, 452.18; 135/96, 117;
D30/112; D25/1, 16, 22, 56; 446/220;
473/469; 182/139, 224; 273/395, 402;
D8/21, 29, 14, 382; 81/124.6, 63.1,
81/177.85, 125.1, 177.2; D12/118, 178;
285/133.21, 197, 319, 921; 403/170, 217,
403/326, 28, 188, 230
CPC A63B 5/11; A63B 21/023; A63B 71/022;
A63B 2208/12; A63B 2210/50; A63B
21/0552; A63B 21/026; B25B 13/04
See application file for complete search history.

(56) **References Cited**

U.S. PATENT DOCUMENTS

- D304,850 S * 11/1989 Chambers D21/669
- D325,951 S * 5/1992 Johnson D21/669
- D362,478 S * 9/1995 Wilkinson D21/797

- D538,358 S * 3/2007 Glier D21/662
- 7,543,821 B2 * 6/2009 Winningham A63B 63/004
273/396
- D653,299 S * 1/2012 Samuel D21/797
- D718,827 S * 12/2014 Chen D21/797
- D742,467 S * 11/2015 Giorgi D21/797
- D758,515 S * 6/2016 Tsai D21/797
- 2005/0043142 A1 * 2/2005 Rieber A63B 5/11
482/27
- 2005/0209053 A1 * 9/2005 Knox A63B 5/11
482/27
- 2006/0172861 A1 * 8/2006 Wang A63B 5/11
482/27

* cited by examiner

Primary Examiner — Robert M Spear

Assistant Examiner — Ryan Harvey

(74) *Attorney, Agent, or Firm* — Clement Cheng

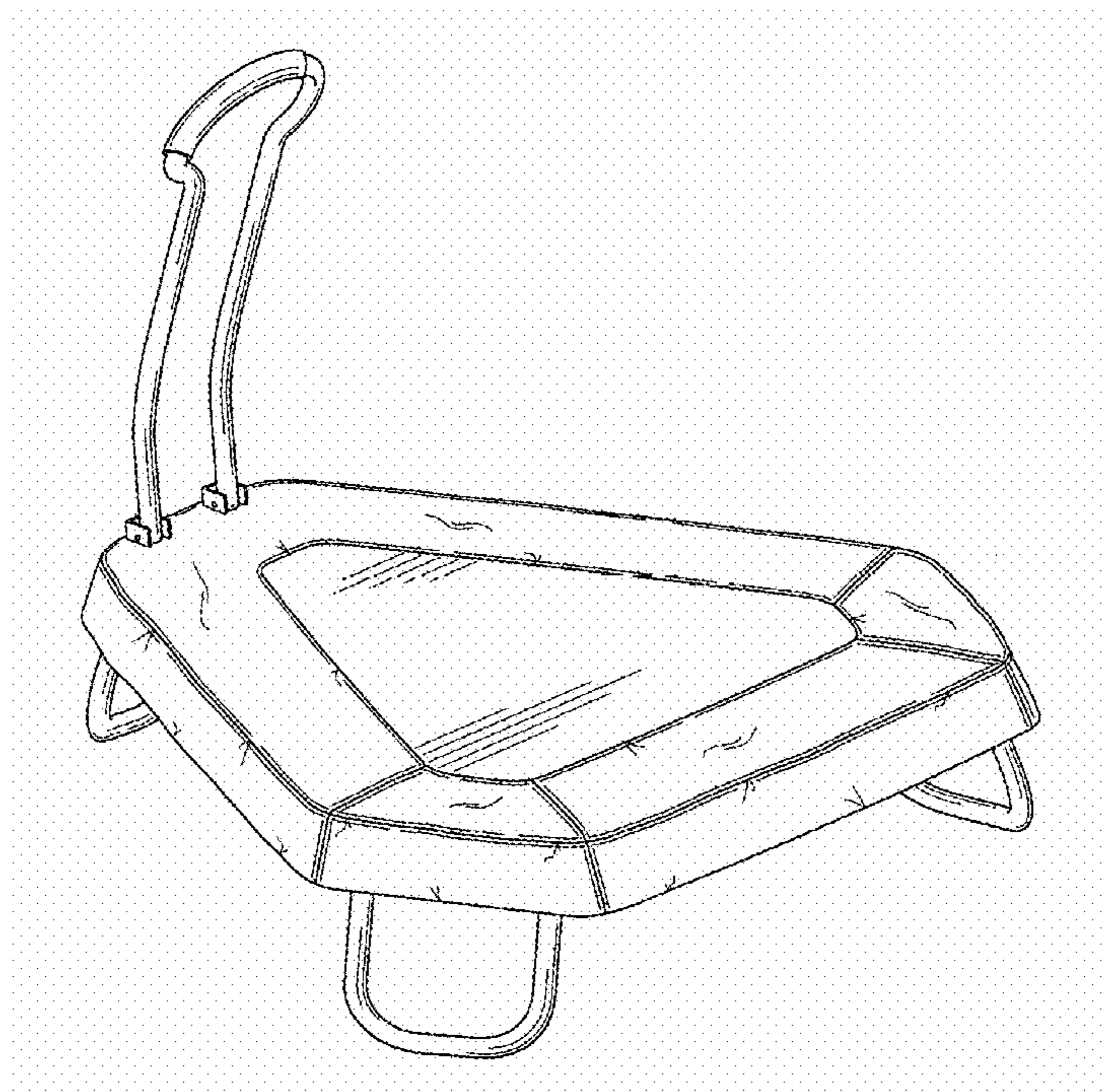
(57) **CLAIM**

The ornamental design for a triangular trampoline, as shown and described.

DESCRIPTION

- FIG. 1 is a perspective view.
- FIG. 2 is a front view.
- FIG. 3 is a rear view.
- FIG. 4 is a left side view.
- FIG. 5 is a right side view.
- FIG. 6 is a top view.
- FIG. 7 is a bottom view.
- FIG. 8 is a perspective view of the triangular trampoline with the handle in a folded configuration; and,
- FIG. 9 is a top view of the triangular trampoline with the handle in a folded configuration.

1 Claim, 9 Drawing Sheets



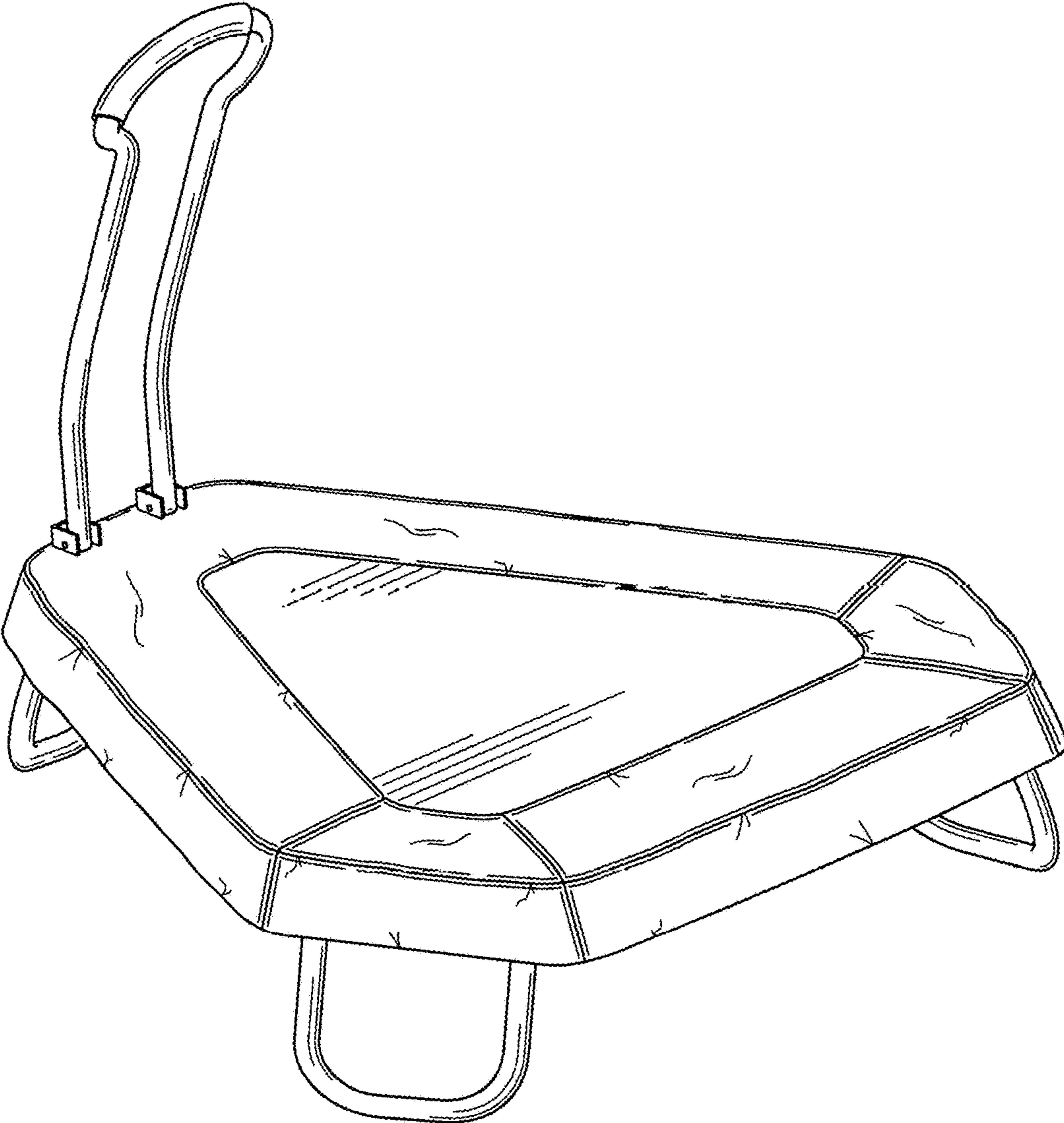


FIG. 1

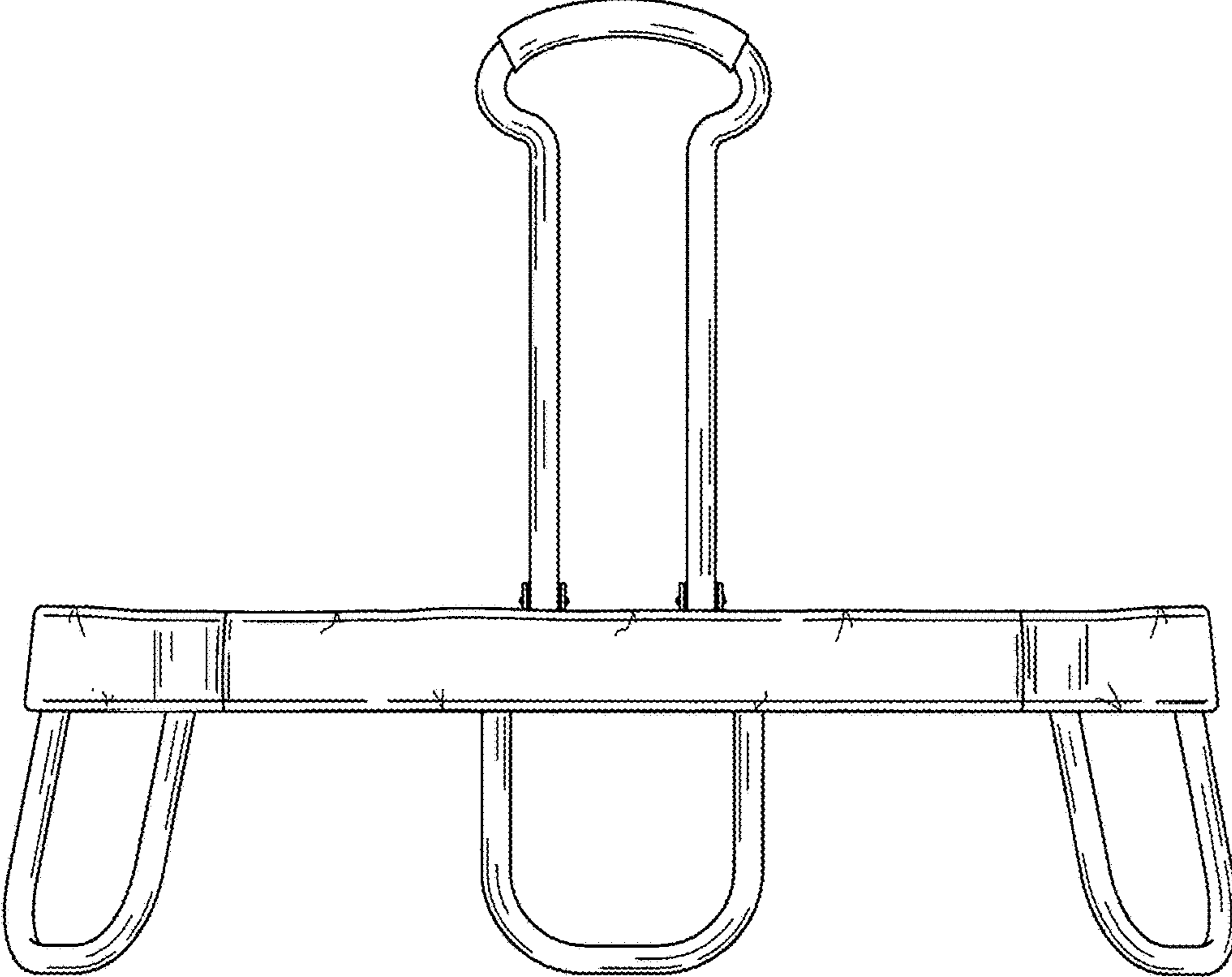


FIG. 2

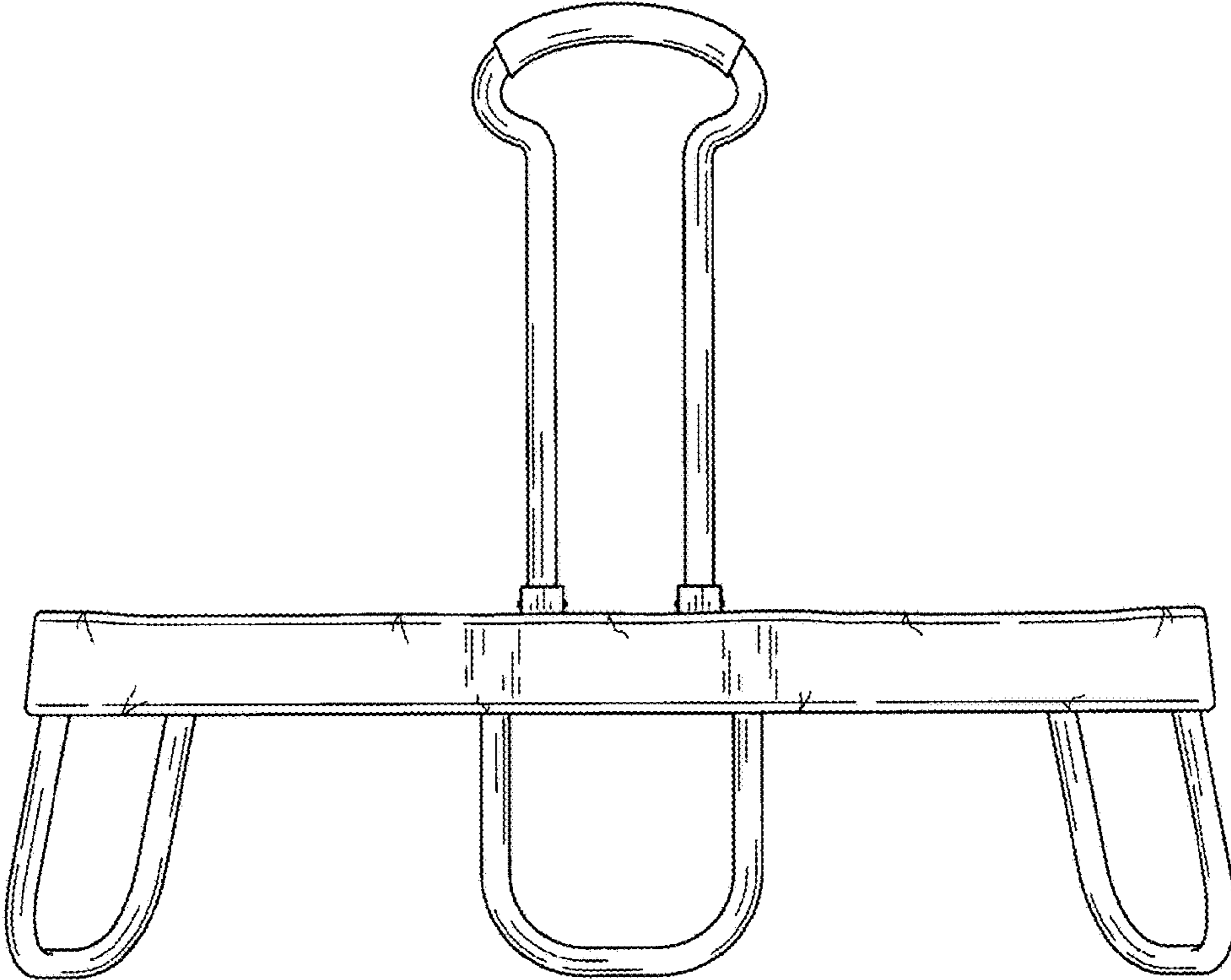


FIG. 3

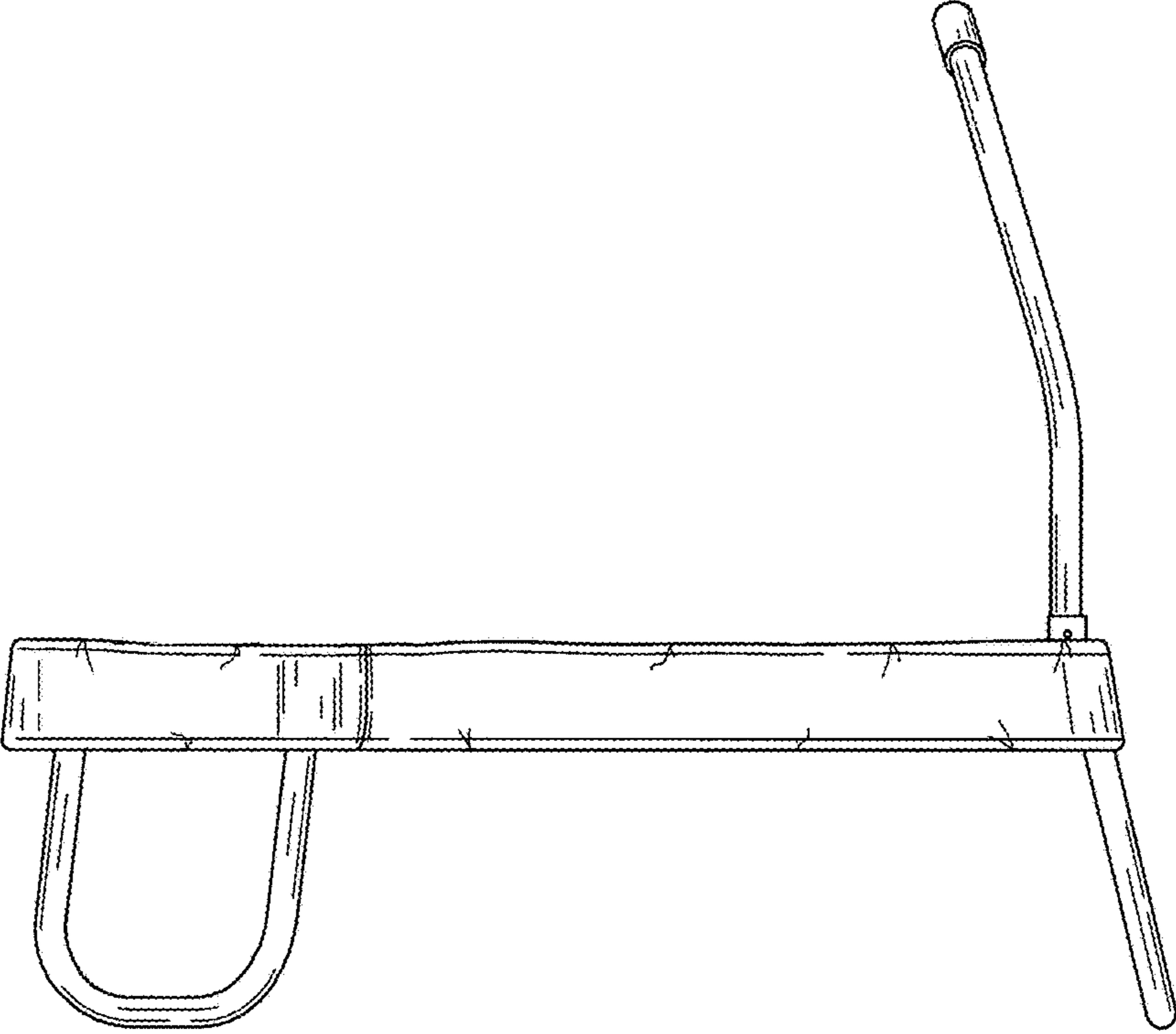


FIG. 4

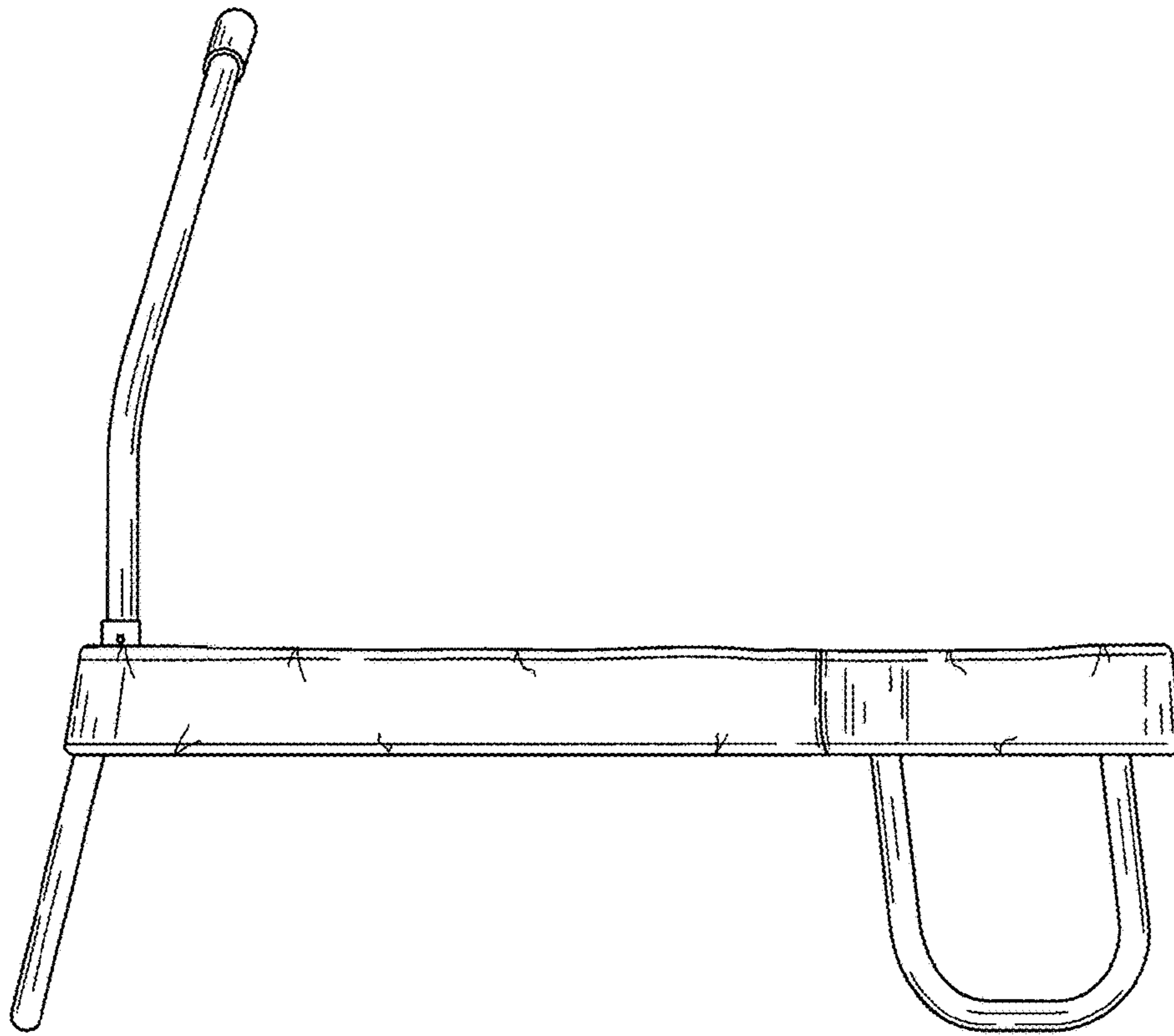


FIG. 5

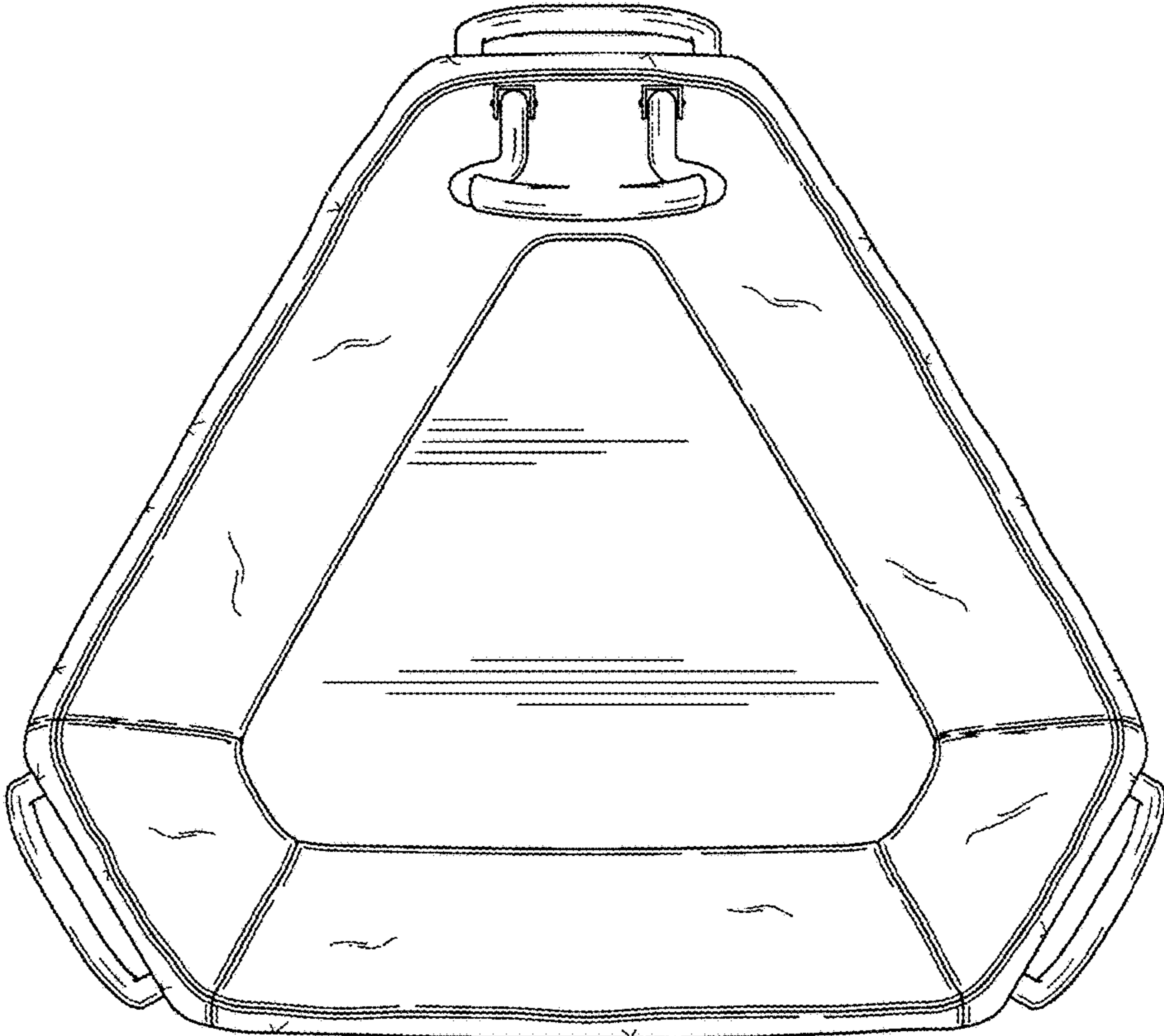


FIG. 6

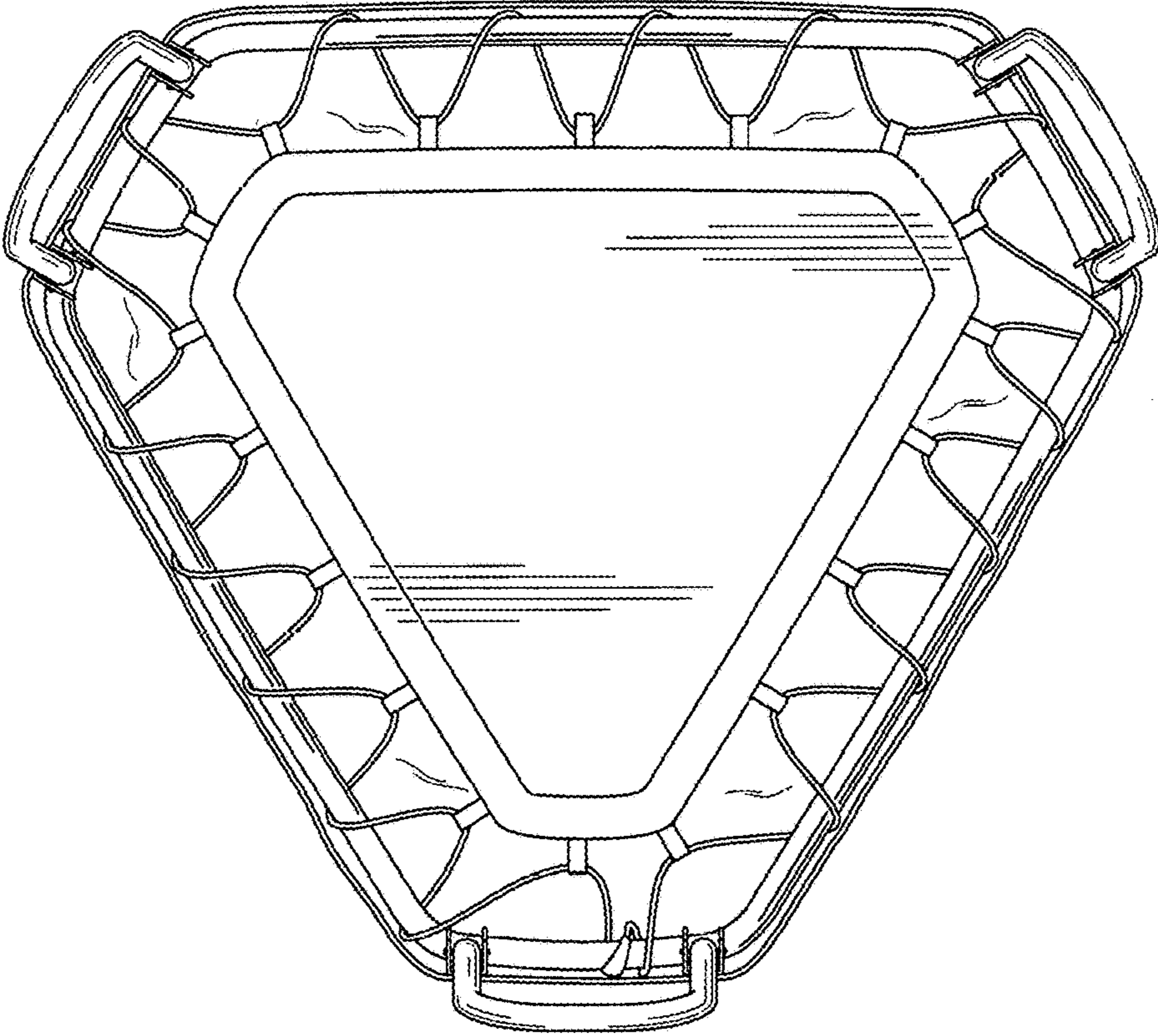


FIG. 7

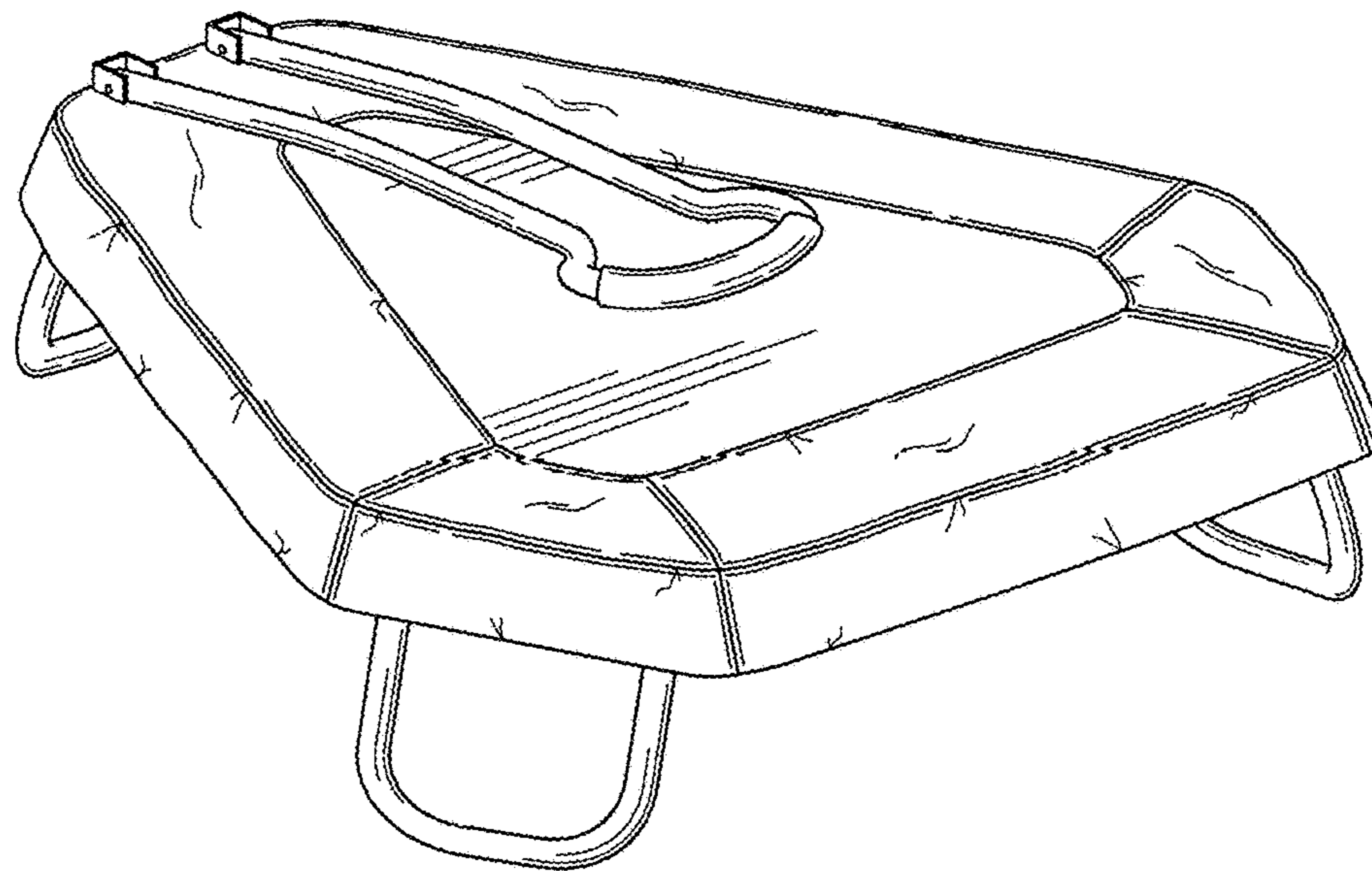


FIG. 8

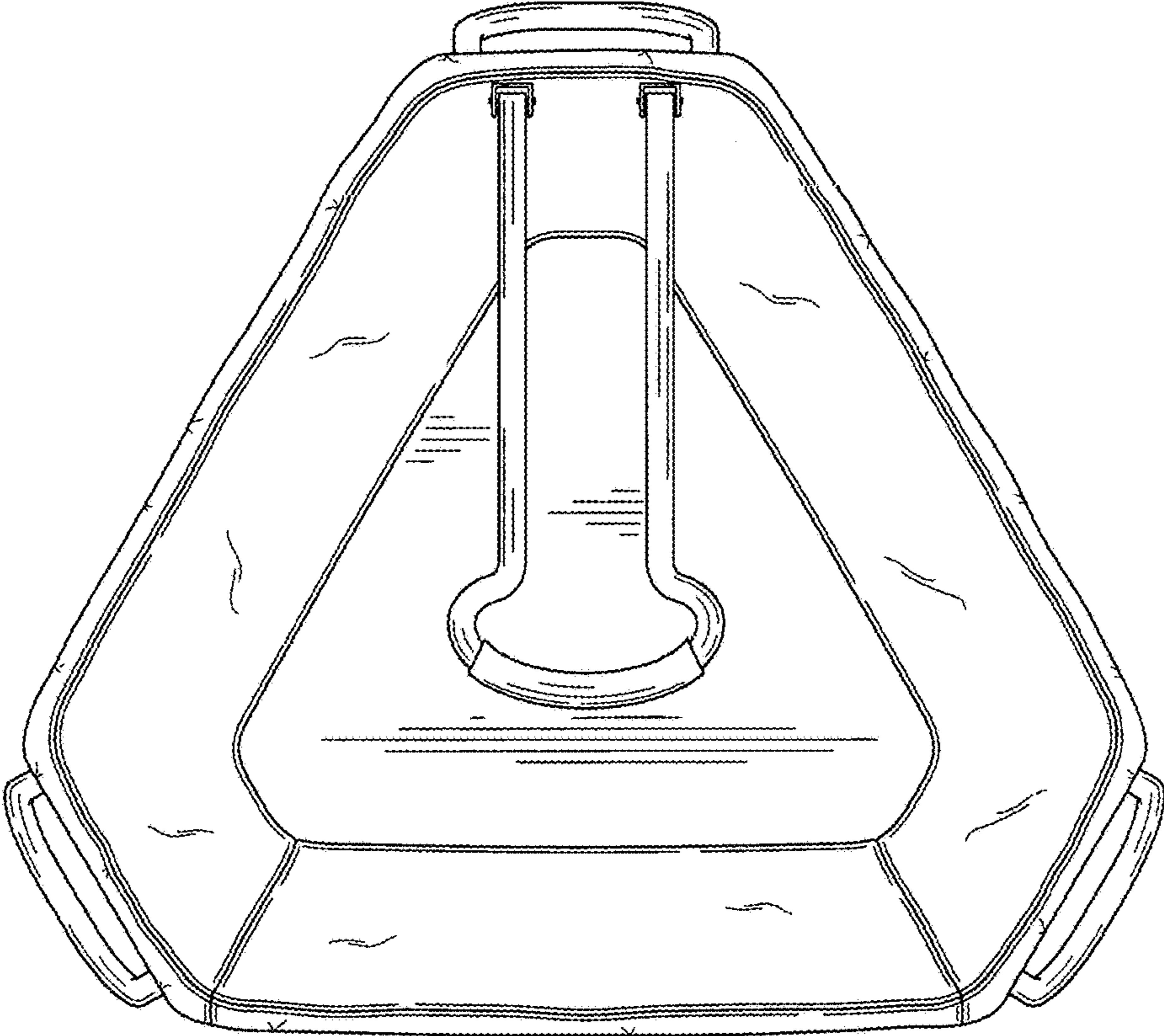


FIG. 9