



US00D799617S

(12) **United States Design Patent**
Becktor et al.

(10) **Patent No.:** **US D799,617 S**
(45) **Date of Patent:** **** Oct. 10, 2017**

(54) **GOLF CLUB HEAD**

(71) Applicant: **DUNLOP SPORTS CO. LTD.**,
Kobe-shi, Hyogo (JP)
(72) Inventors: **Mika Becktor**, New York, NY (US);
Keith F. Dolezel, Covina, CA (US);
Phillip C. Seagram, Long Beach, CA
(US)
(73) Assignee: **DUNLOP SPORTS CO. LTD.**, Kobe
(JP)

(**) Term: **15 Years**

(21) Appl. No.: **29/572,116**

(22) Filed: **Jul. 25, 2016**

(51) **LOC (10) Cl.** **21-02**

(52) **U.S. Cl.**
USPC **D21/742**

(58) **Field of Classification Search**
USPC D21/736-746
CPC A63B 53/00; A63B 53/04; A63B 53/007;
A63B 53/065; A63B 53/0487; A63B
60/00; A63B 60/46
See application file for complete search history.

(56) **References Cited**

U.S. PATENT DOCUMENTS

D297,964 S * 10/1988 Shearer D21/743
D350,177 S * 8/1994 Ramirez D21/745
D360,669 S * 7/1995 Buscemi D21/743

D505,702 S * 5/2005 Wood D21/736
D517,143 S * 3/2006 Petsel D21/742
D532,845 S * 11/2006 Rollinson D21/736
D564,607 S * 3/2008 Oldknow D21/736
D565,681 S * 4/2008 Tanaka D21/736
D568,954 S * 5/2008 Oldknow D21/759
D573,673 S * 7/2008 Noyes D21/721
D594,917 S * 6/2009 Stellander D21/743
D621,458 S * 8/2010 Serrano D21/736
D670,774 S * 11/2012 Seiff D21/736
D728,715 S * 5/2015 Cameron D21/736
D777,268 S * 1/2017 Becktor D21/742
D779,606 S * 2/2017 Becktor D21/742

* cited by examiner

Primary Examiner — Mitchell Siegel

(74) *Attorney, Agent, or Firm* — Oliff PLC

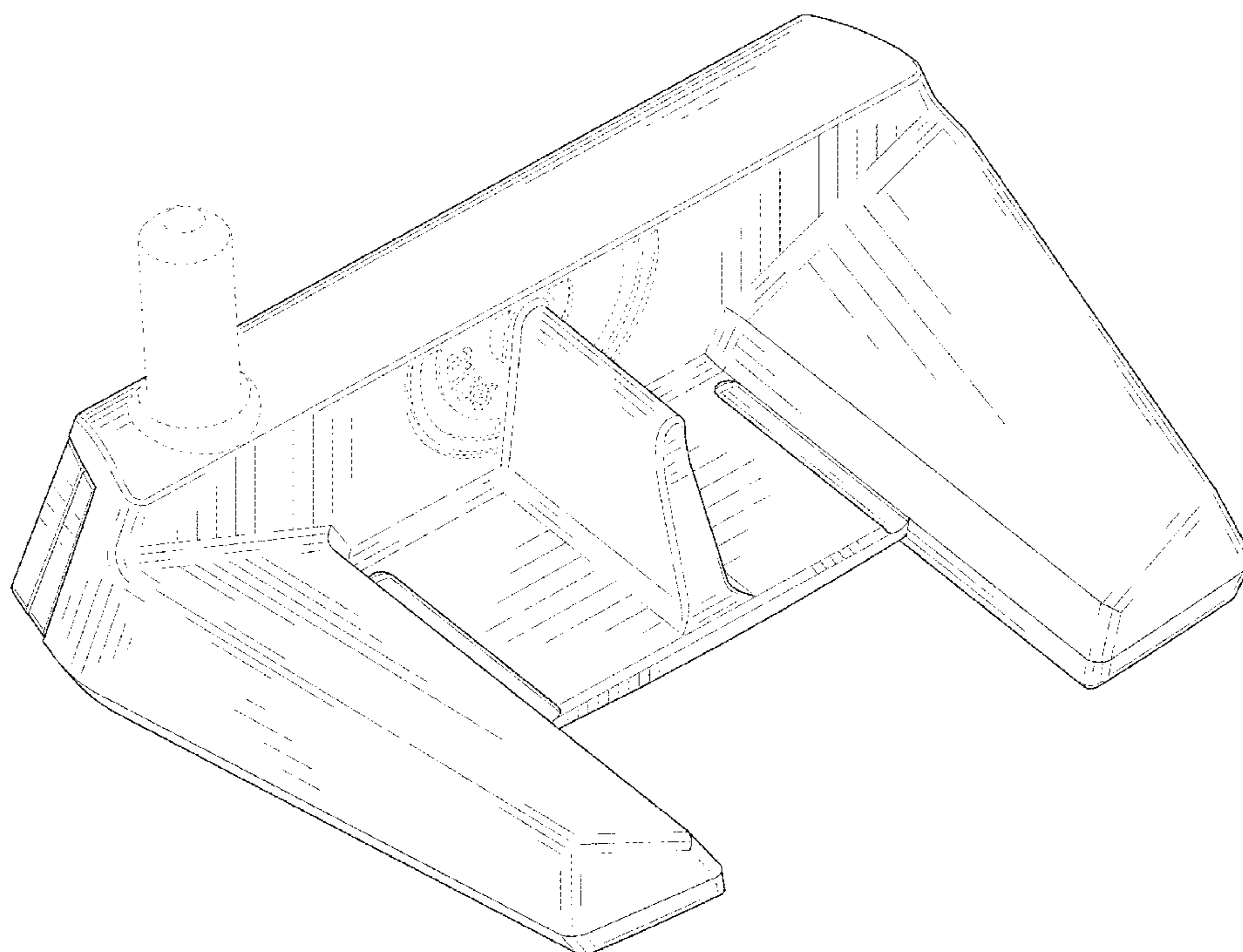
(57) **CLAIM**

The ornamental design for a golf club head, as shown and described.

DESCRIPTION

FIG. 1 is a front, top, heel-side perspective view of the golf club head;
FIG. 2 is a front elevational view thereof;
FIG. 3 is a top plan view thereof;
FIG. 4 is a toe-side elevational view thereof;
FIG. 5 is a heel-side elevational view thereof;
FIG. 6 is a rear elevational view thereof;
FIG. 7 is a bottom plan view thereof; and,
FIG. 8 is a rear, top, heel-side perspective view thereof.
The broken lines depict unclaimed portions of the golf club head, and thus form no part of the claimed design.

1 Claim, 7 Drawing Sheets



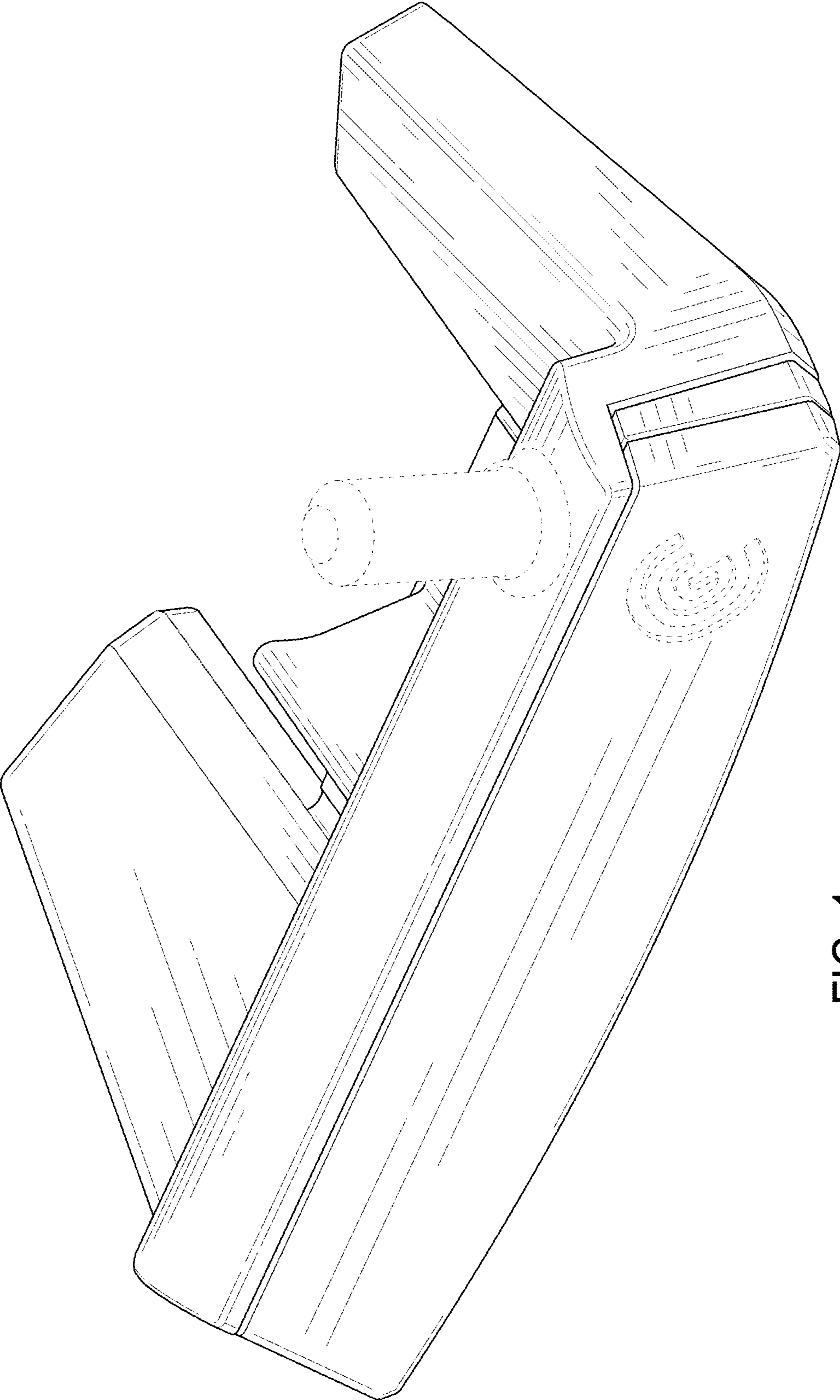


FIG. 1

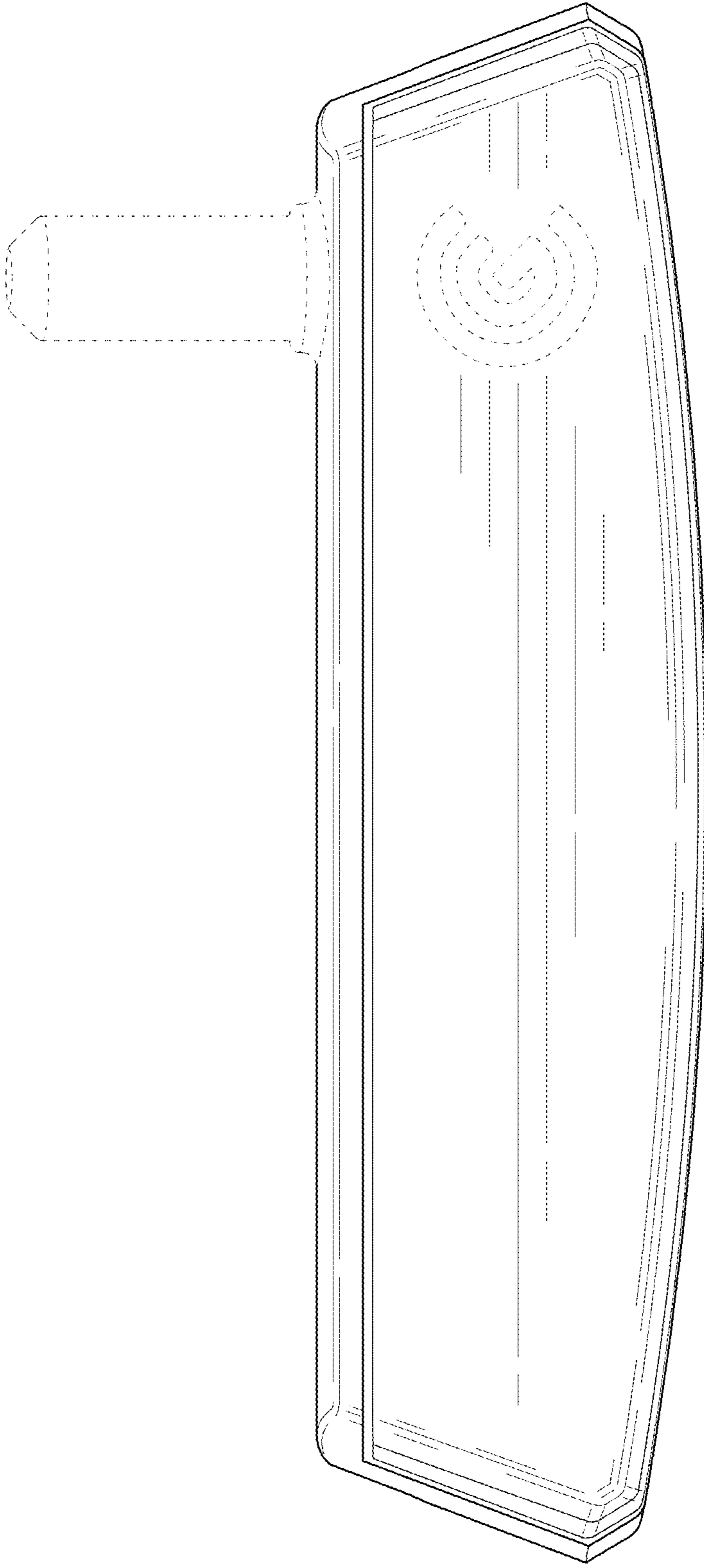


FIG. 2

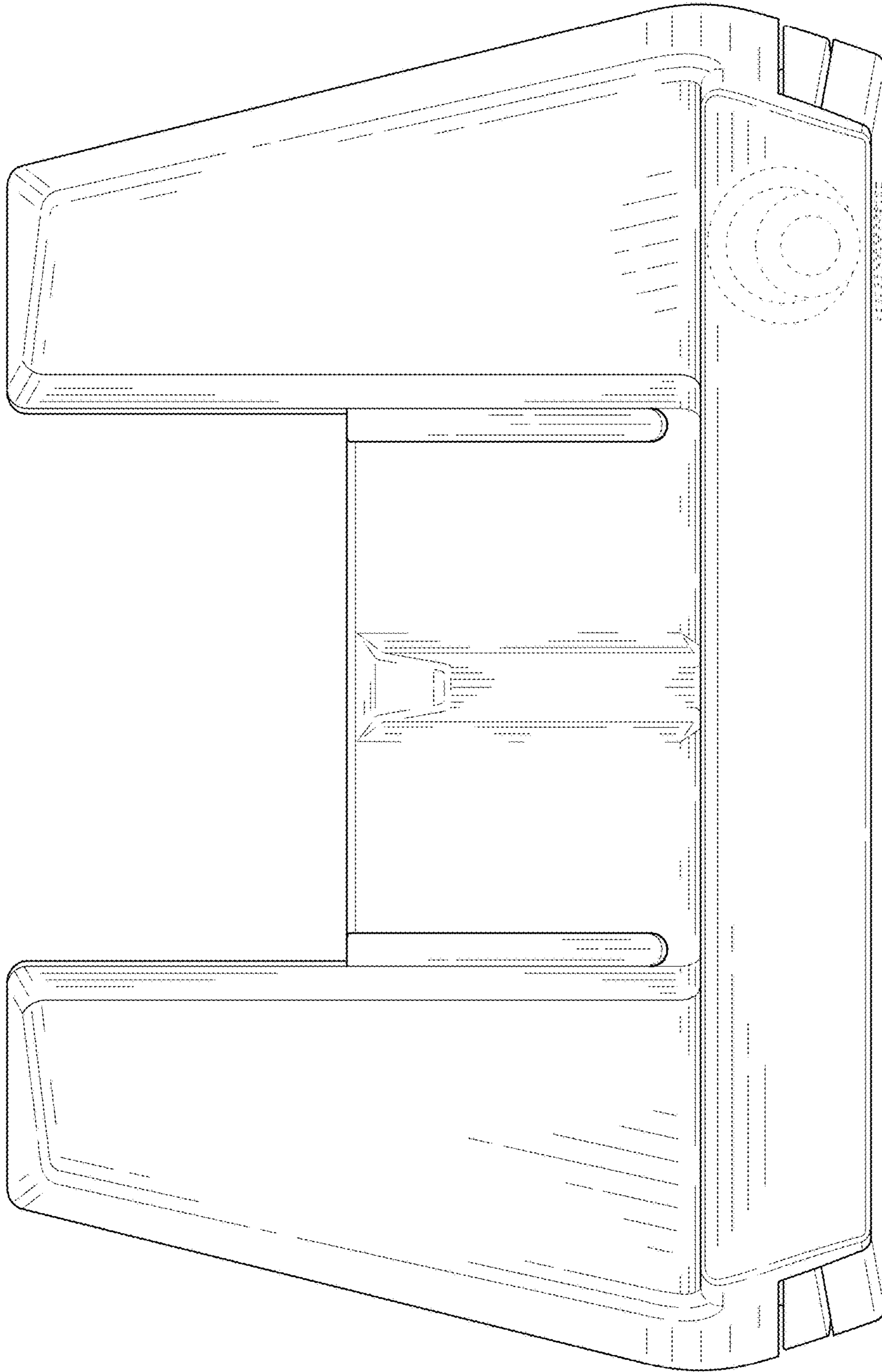


FIG. 3

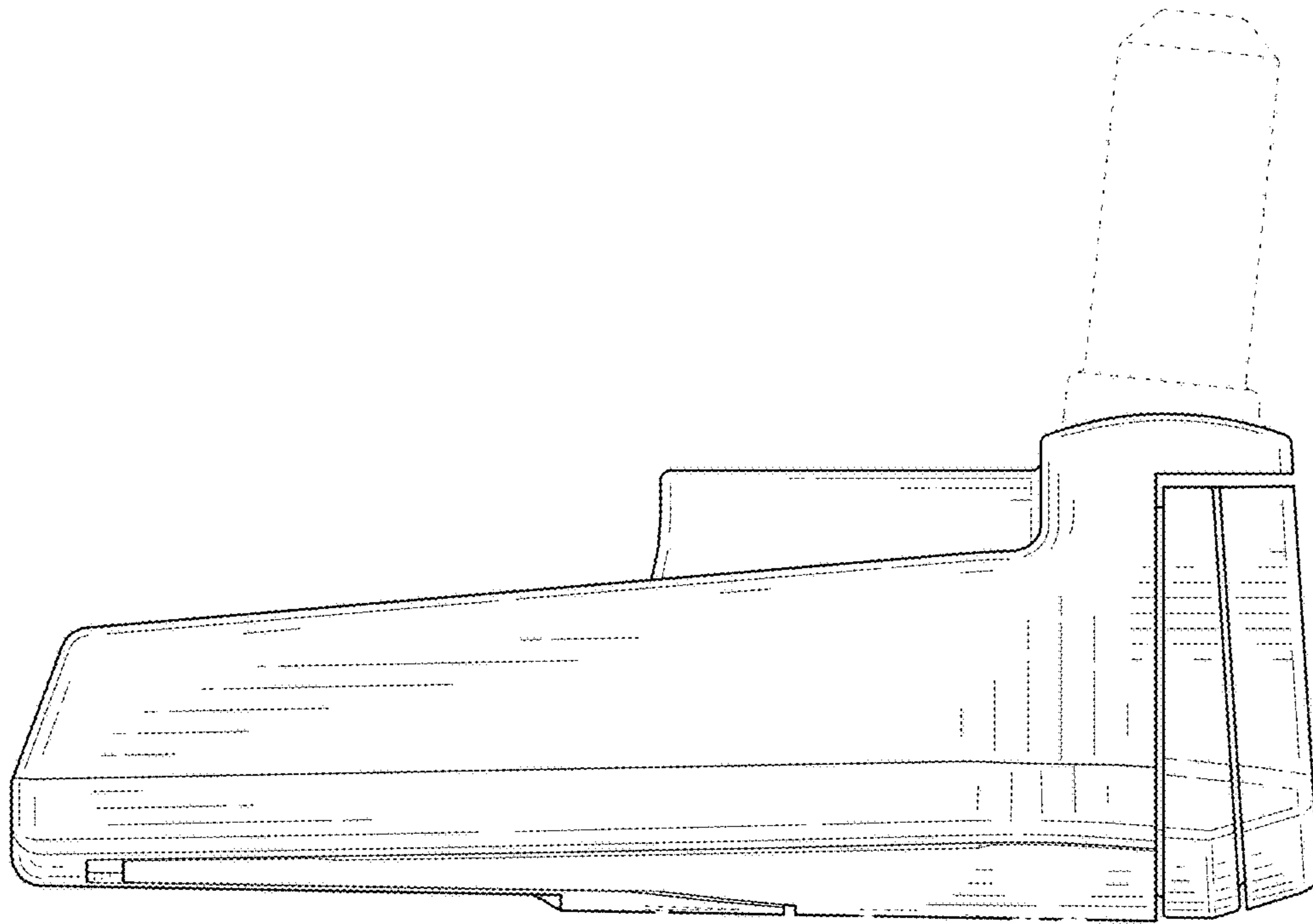


FIG. 4

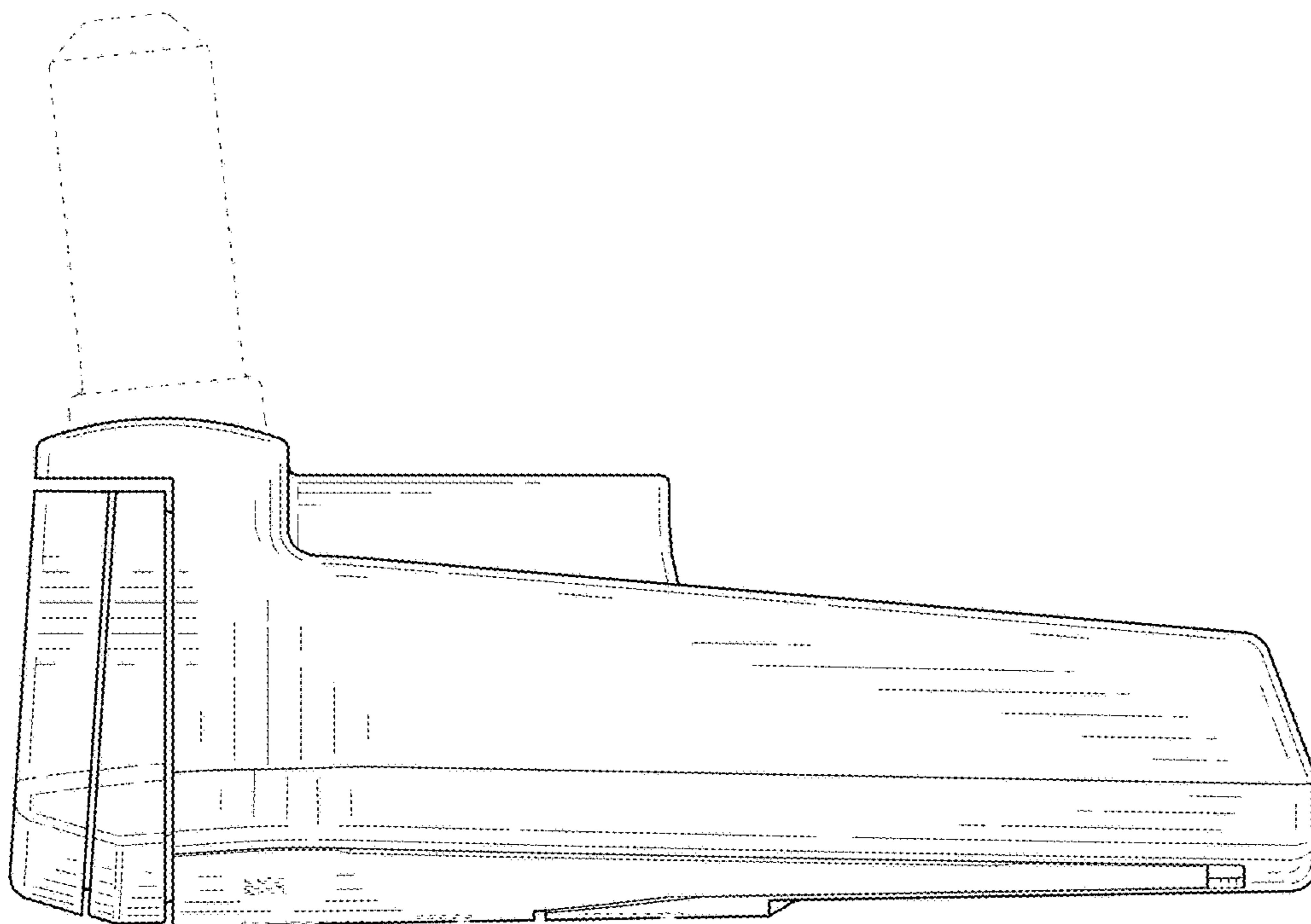


FIG. 5

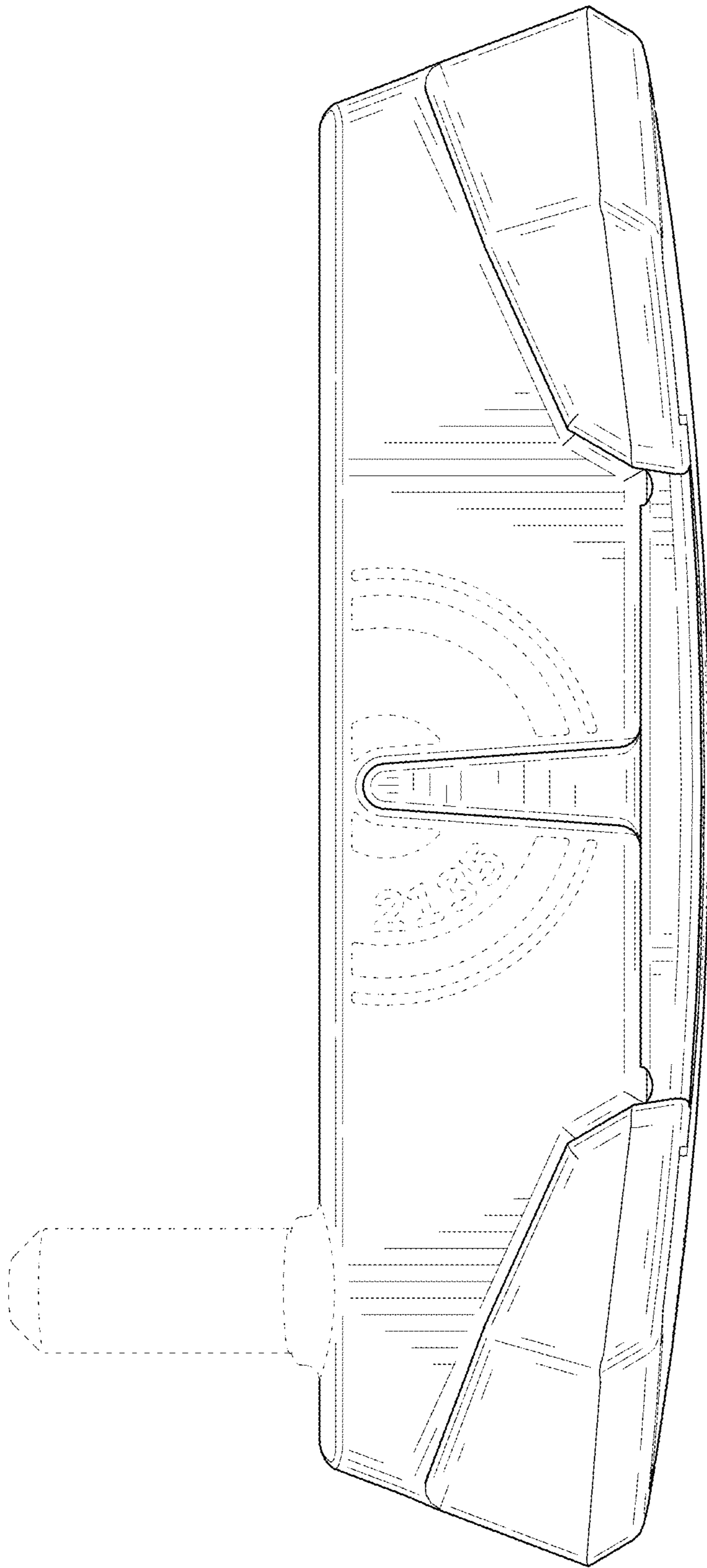


FIG. 6

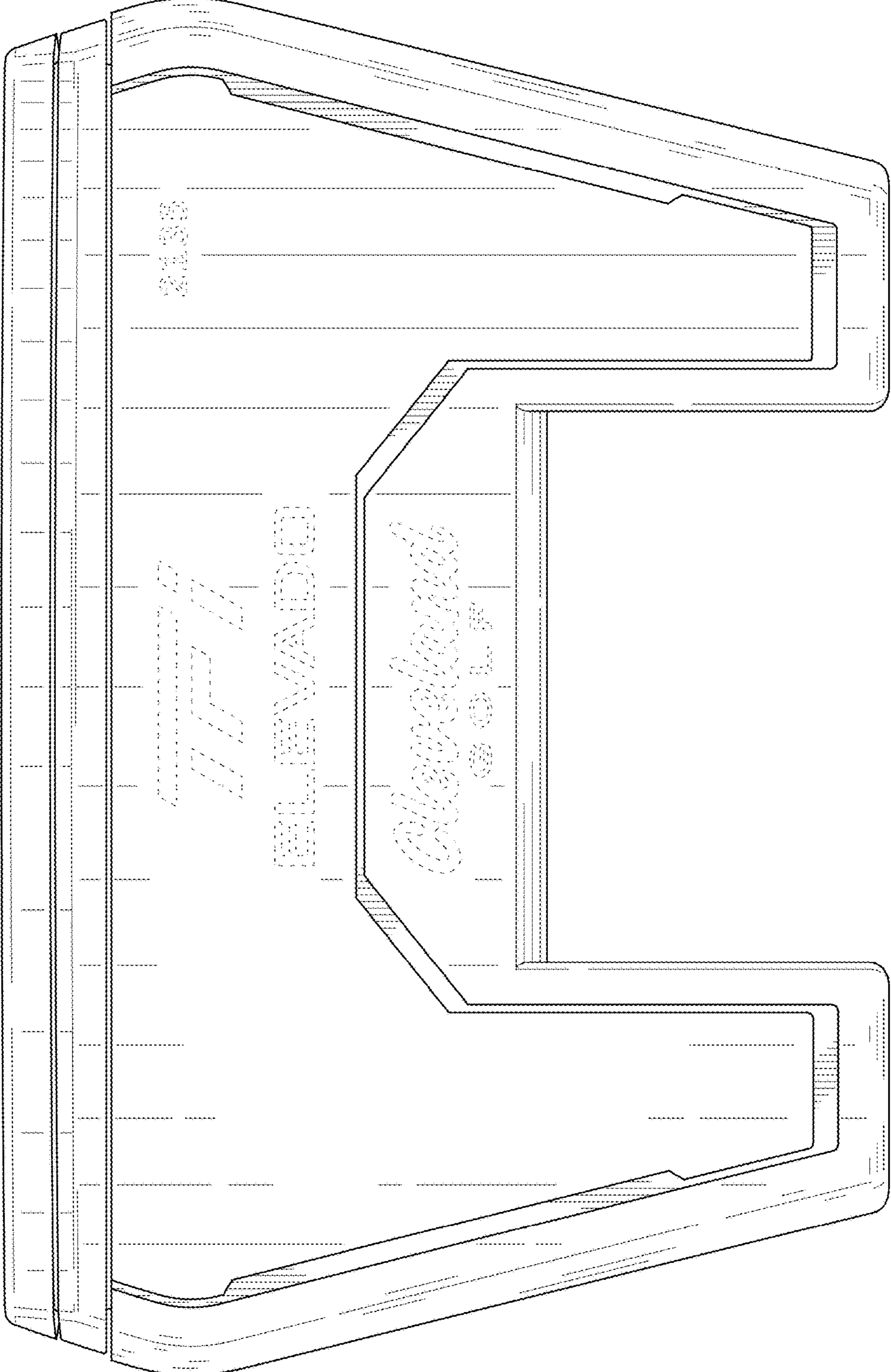


FIG. 7

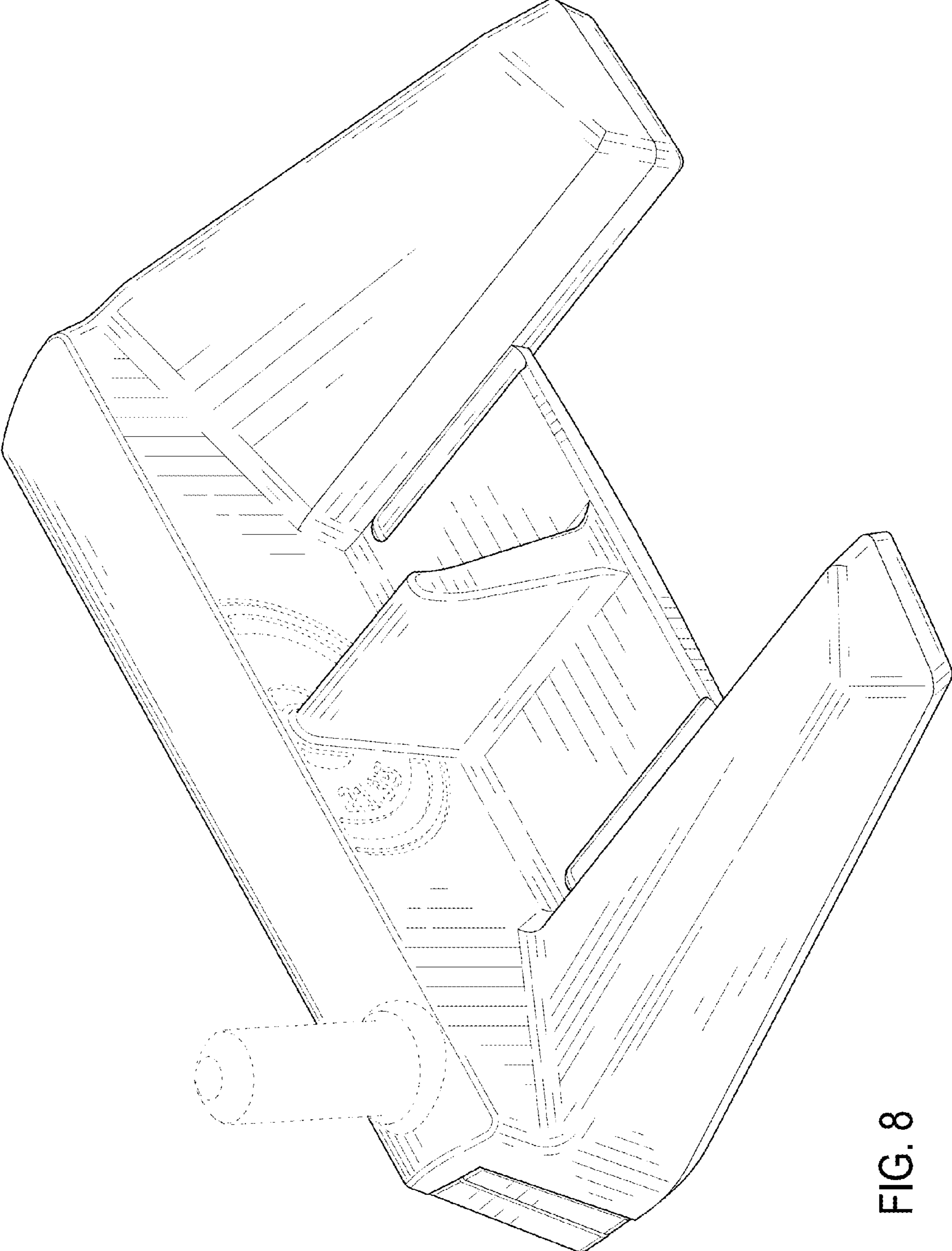


FIG. 8