



US00D799615S

(12) **United States Design Patent**
Kroloff et al.

(10) **Patent No.:** **US D799,615 S**

(45) **Date of Patent:** **** Oct. 10, 2017**

(54) **GOLF CLUB HEAD**

OTHER PUBLICATIONS

(71) Applicant: **PARSONS XTREME GOLF, LLC**,
Scottsdale, AZ (US)

U.S. Appl. No. 14/586,720, Parsons et al., "Golf Club Heads and Methods to Manufacture Golf Club Heads," filed Dec. 30, 2014.

(Continued)

(72) Inventors: **Caleb S. Kroloff**, Scottsdale, AZ (US);
Mark A. Gutttag, Lexington, MA (US)

Primary Examiner — Mitchell Siegel

(**) Term: **15 Years**

(57) **CLAIM**

The ornamental design for a golf club head, as shown and described.

(21) Appl. No.: **29/575,219**

DESCRIPTION

(22) Filed: **Aug. 23, 2016**

Related U.S. Application Data

(63) Continuation-in-part of application No. 29/568,597,
filed on Jun. 20, 2016, now abandoned.

(51) **LOC (10) Cl.** **21-02**

(52) **U.S. Cl.**
USPC **D21/736**

(58) **Field of Classification Search**
USPC D21/736-746
CPC A63B 53/00; A63B 53/04; A63B 53/007;
A63B 53/065; A63B 53/0487; A63B
60/00; A63B 60/46
See application file for complete search history.

FIG. 1 is a top perspective view of a golf club head;
FIG. 2 is a bottom perspective view of the golf club head of FIG. 1;
FIG. 3 is a front elevational view of the golf club head of FIG. 1;
FIG. 4 is a rear elevational view of the golf club head of FIG. 1;
FIG. 5 is a top view of the golf club head of FIG. 1;
FIG. 6 is a bottom view of the golf club head of FIG. 1;
FIG. 7 is a right side view of the golf club head of FIG. 1;
FIG. 8 is a left side view of the golf club head of FIG. 1;
FIG. 9 is a top perspective view of a second embodiment of a golf club head;
FIG. 10 is a bottom perspective view of the golf club head of FIG. 9;
FIG. 11 is a front elevational view of the golf club head of FIG. 9;
FIG. 12 is a rear elevational view of the golf club head of FIG. 9;
FIG. 13 is a top view of the golf club head of FIG. 9;
FIG. 14 is a bottom view of the golf club head of FIG. 9;
FIG. 15 is a right side view of the golf club head of FIG. 9;
and,
FIG. 16 is a left side view of the golf club head of FIG. 9.
The broken line showing of is included for the purpose of illustrating and forms no part of the claimed design.

(56) **References Cited**

U.S. PATENT DOCUMENTS

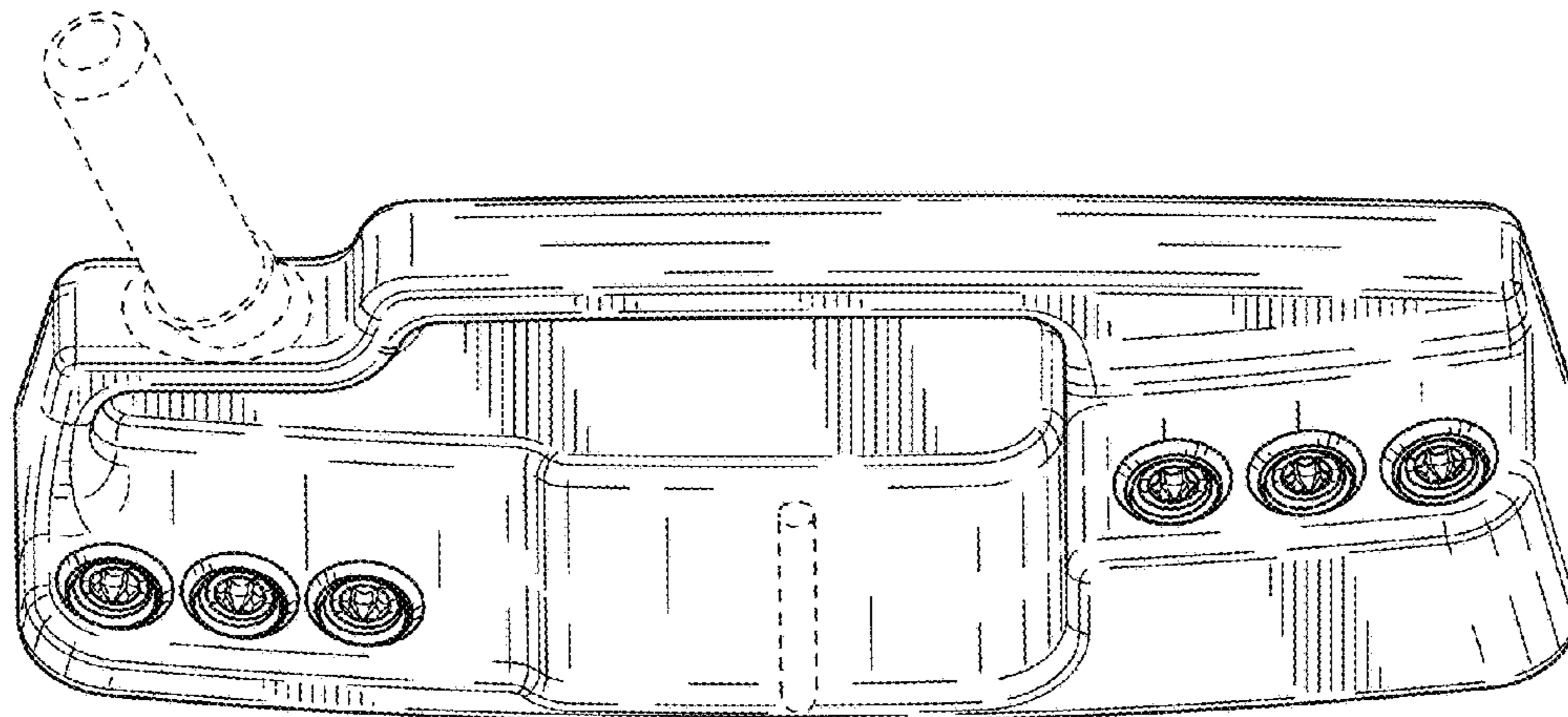
922,444 A	5/1909	Youds	
RE19,178 E	5/1934	Spiker	
4,043,562 A	8/1977	Shillington	
D248,783 S *	8/1978	Long	473/345
D281,092 S *	10/1985	Mills	D21/742
4,754,977 A	7/1988	Sahm	

(Continued)

FOREIGN PATENT DOCUMENTS

JP 2005/160691 6/2005

1 Claim, 10 Drawing Sheets



(56)

References Cited

U.S. PATENT DOCUMENTS

4,869,507 A 9/1989 Sahm
D313,451 S * 1/1991 Shearer D21/743
D335,317 S 5/1993 Shearer
D335,692 S 5/1993 Antonious
D336,757 S 6/1993 Antonious
D350,582 S 9/1994 Miansian et al.
5,390,919 A * 2/1995 Stubbs A63B 53/065
473/246
5,429,366 A 7/1995 McCabe
D363,101 S 10/1995 Sturm
D365,864 S 1/1996 Sturm
5,489,097 A 2/1996 Simmons
D368,751 S 4/1996 Rife
D369,393 S 4/1996 Takahashi et al.
5,571,053 A 11/1996 Lane
D378,688 S 4/1997 Cameron
D385,609 S 10/1997 Cameron
5,683,307 A 11/1997 Rife
D388,143 S 12/1997 Huan-Chiang
D389,207 S 1/1998 Cameron
D398,685 S 9/1998 Masuda
D399,290 S 10/1998 Sizemore, Jr.
D399,911 S 10/1998 Nicolette et al.
5,839,974 A 11/1998 McAllister
D405,836 S 2/1999 Nicolette et al.
D409,701 S 5/1999 Ashcraft et al.
5,924,938 A 7/1999 Hines
D422,655 S 4/2000 Hicks
D426,276 S 6/2000 Besnard et al.
D431,854 S 10/2000 Cameron
D432,192 S 10/2000 Hicks
D436,151 S 1/2001 Nicolette et al.
D437,374 S 2/2001 Cameron
D441,820 S 5/2001 Nicolette et al.
D443,668 S 6/2001 Nicolette et al.
D443,905 S 6/2001 Nicolette et al.
D444,833 S 7/2001 Wells et al.
6,264,571 B1 7/2001 Lekavich
D449,664 S 10/2001 Beebe et al.
D449,865 S 10/2001 Fife et al.
D450,799 S 11/2001 Nicolette et al.
D451,973 S 12/2001 Wells et al.
6,348,014 B1 * 2/2002 Chiu A63B 53/065
473/337
6,354,959 B1 3/2002 Nicolette et al.
6,394,910 B1 5/2002 McCarthy
D472,949 S 4/2003 Serrano et al.
D474,821 S 5/2003 Wells et al.
D483,086 S 12/2003 Schweigert et al.
D486,872 S 2/2004 Schweigert et al.
D498,276 S 11/2004 Schweigert et al.
6,902,496 B2 6/2005 Solheim et al.
D512,116 S 11/2005 Mirafior et al.
6,988,956 B2 1/2006 Cover et al.
D520,088 S 5/2006 Parr
D531,242 S 10/2006 Adams
D532,067 S 11/2006 Soracco et al.
7,153,220 B2 12/2006 Lo
D534,595 S 1/2007 Hasebe
7,156,752 B1 1/2007 Bennett
D536,401 S 2/2007 Kawami
D536,403 S 2/2007 Kawami
D538,371 S 3/2007 Kawami
7,204,765 B2 4/2007 Cover et al.
D542,869 S 5/2007 Adams
D543,598 S 5/2007 Kuan et al.
D543,601 S 5/2007 Kawami
D555,219 S 11/2007 Lin
D556,277 S 11/2007 Broom
D561,854 S 2/2008 Morris
7,331,876 B2 2/2008 Klein
7,351,162 B2 4/2008 Soracco et al.
D569,461 S 5/2008 Morris
D569,930 S 5/2008 Nehrbas
7,396,289 B2 7/2008 Soracco et al.

D577,085 S 9/2008 Nicolette et al.
D577,086 S 9/2008 Nicolette et al.
D579,506 S 10/2008 Nicolette et al.
D579,995 S 11/2008 Nicolette et al.
D582,497 S 12/2008 Rollinson
7,473,189 B2 1/2009 Schweigert et al.
7,491,131 B2 2/2009 Vinton
D599,425 S 9/2009 Laub
D599,867 S * 9/2009 Teramoto D21/736
D600,763 S 9/2009 Cameron
D601,214 S * 9/2009 Serrano D21/736
D607,951 S * 1/2010 Teramoto D21/736
7,744,485 B2 6/2010 Jones et al.
D620,993 S 8/2010 Laub
D623,709 S 9/2010 Serrano et al.
D631,925 S 2/2011 Broom
7,887,432 B2 2/2011 Jones et al.
D633,964 S * 3/2011 Teramoto D21/743
7,909,707 B2 3/2011 Klein
7,918,745 B2 4/2011 Morris et al.
D638,891 S 5/2011 Nicolette et al.
D642,643 S 8/2011 Nicolette et al.
D643,485 S 8/2011 Nicolette et al.
D645,104 S 9/2011 Nicolette et al.
8,096,039 B2 1/2012 Soracco et al.
D653,718 S 2/2012 Stokke et al.
D655,361 S * 3/2012 Ramsauer D21/743
D661,753 S 6/2012 Cameron et al.
D666,260 S 8/2012 Cynn
8,376,878 B2 2/2013 Bennett et al.
D688,339 S 8/2013 Hilton et al.
D688,341 S 8/2013 Rollinson
D691,226 S 10/2013 Hilton et al.
D699,308 S 2/2014 Rollinson
D704,782 S 5/2014 Rollinson
8,721,472 B2 5/2014 Kuan et al.
8,790,193 B2 7/2014 Serrano et al.
D711,483 S 8/2014 Wong
D722,350 S * 2/2015 Schweigert D21/735
D722,351 S 2/2015 Parsons et al.
D722,352 S 2/2015 Nicolette et al.
D723,120 S 2/2015 Nicolette
D724,164 S 3/2015 Schweigert et al.
D725,208 S * 3/2015 Schweigert D21/743
D726,265 S 4/2015 Nicolette
D726,846 S * 4/2015 Schweigert D21/743
D733,234 S 6/2015 Nicolette
D738,447 S 9/2015 Schweigert
D738,449 S * 9/2015 Schweigert D21/759
D739,487 S * 9/2015 Schweigert D21/759
D741,426 S * 10/2015 Schweigert D21/736
D746,926 S 1/2016 Parsons et al.
D748,213 S 1/2016 Parsons et al.
D748,215 S 1/2016 Parsons et al.
9,233,283 B2 1/2016 Schweigert
D752,697 S * 3/2016 Claveran D21/736
D753,252 S * 4/2016 Schweigert D21/759
D791,891 S * 7/2017 Davis D21/736
D794,146 S * 8/2017 Davis D21/736
2007/0142122 A1 6/2007 Bonneau
2007/0207875 A1 9/2007 Kuan et al.
2007/0238548 A1 10/2007 Johnson
2008/0139333 A1 6/2008 Klein
2008/0146372 A1 6/2008 John
2008/0176672 A1 7/2008 Roach et al.
2011/0165959 A1 7/2011 Klein
2013/0165256 A1 6/2013 Stevenson
2013/0210537 A1 8/2013 Ainscough et al.

OTHER PUBLICATIONS

U.S. Appl. No. 29/523,587, Schweigert, "Golf Club Head," filed Apr. 10, 2015.
TourSpecGolf (Gold's Factory Multi Weighted Custom Putter) [online]. Nov. 20, 2010 [retrieved Jul. 7, 2015]. Retrieved from the internet: <URL: <http://www.toursecgolf.com/blog/golds-factory-multi-weighted-custom-putter/>>.

(56)

References Cited

OTHER PUBLICATIONS

International Search Report and Written Opinion issued in connection with corresponding application No. PCT/US15/27841 dated Jul. 30, 2015 (14 pages).

* cited by examiner

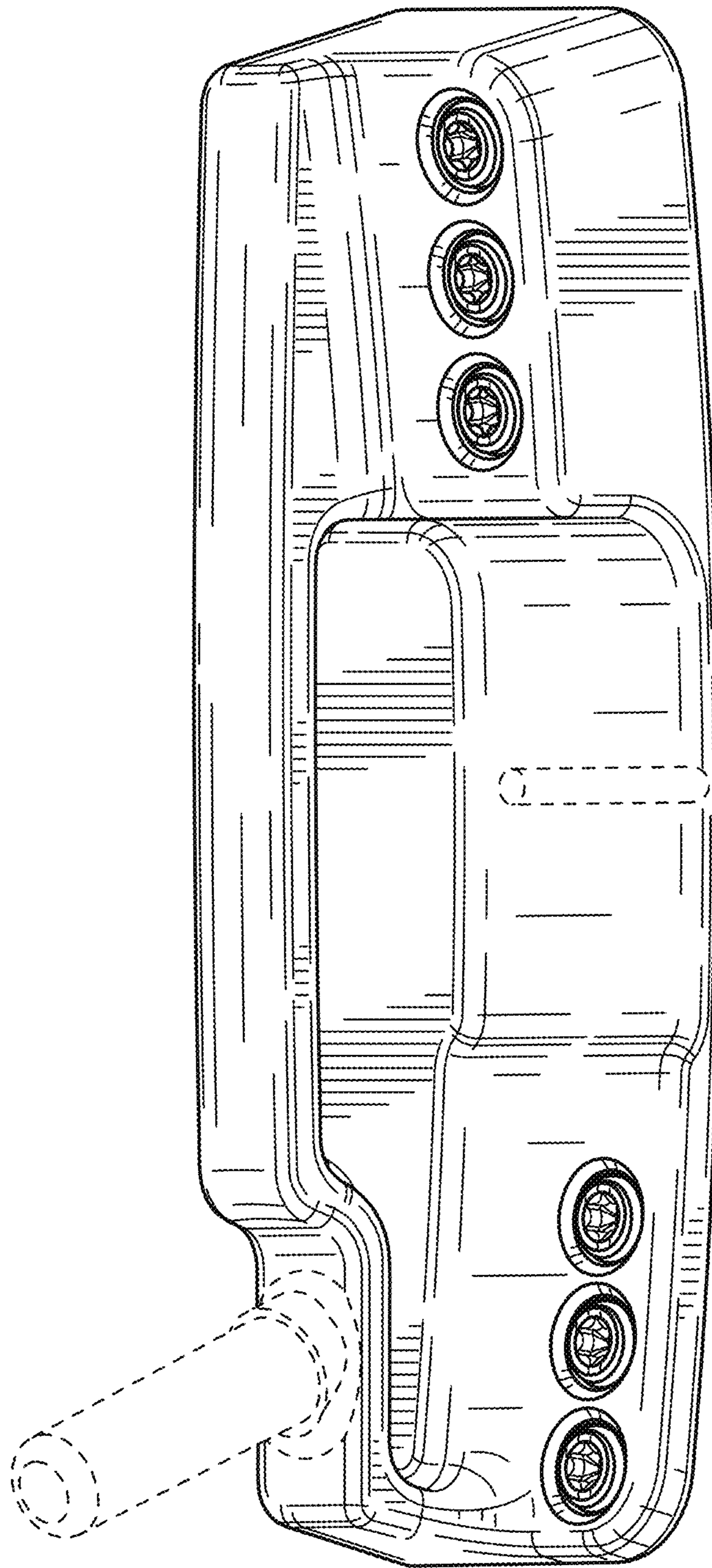


FIG. 1

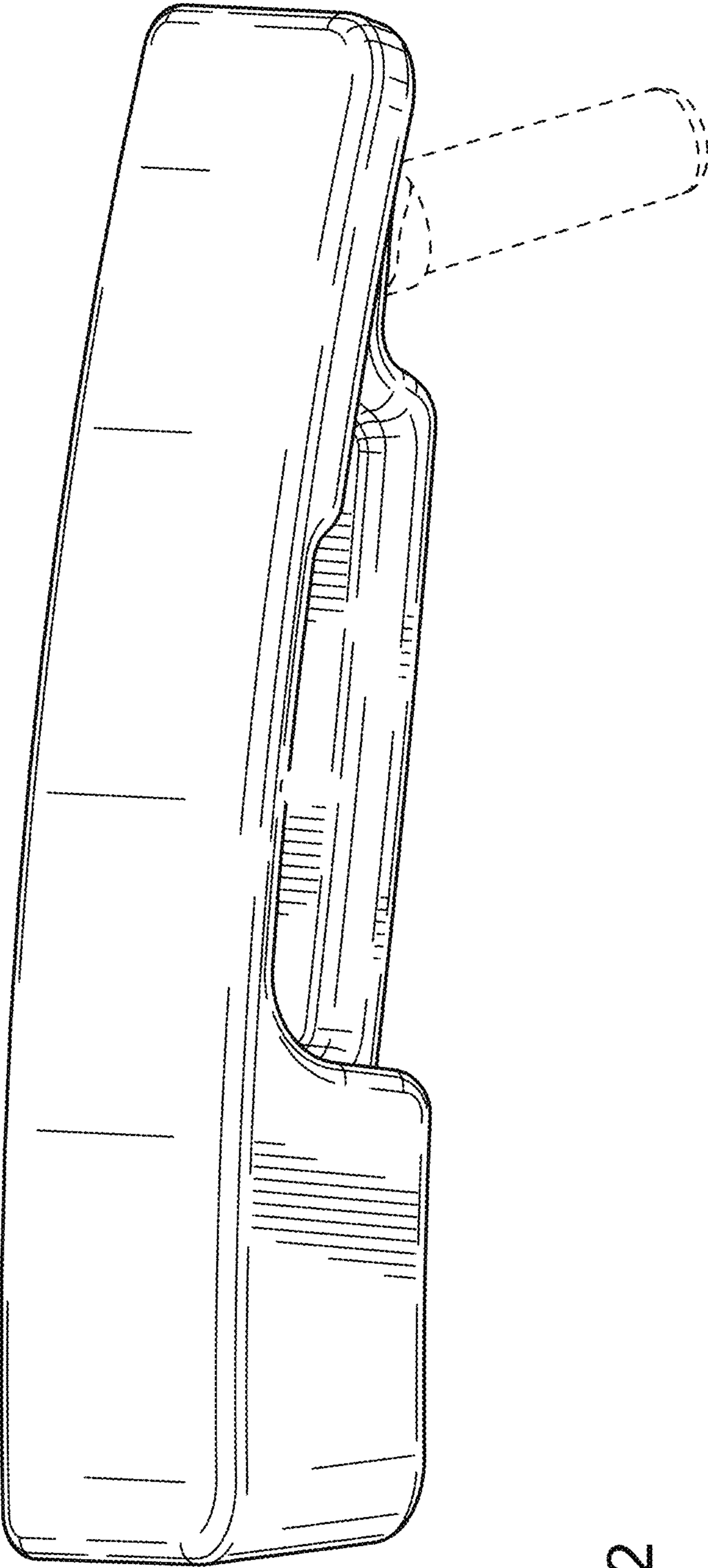


FIG. 2

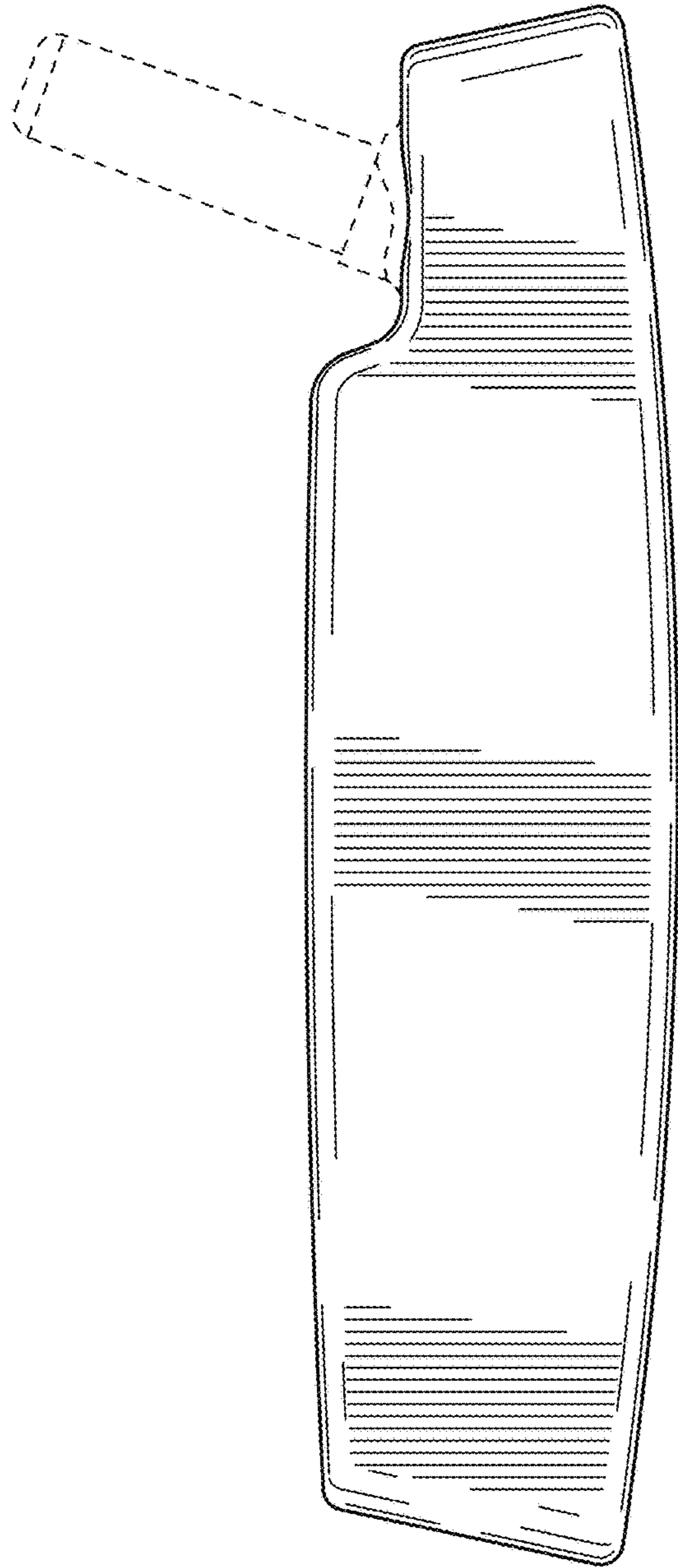


FIG. 3

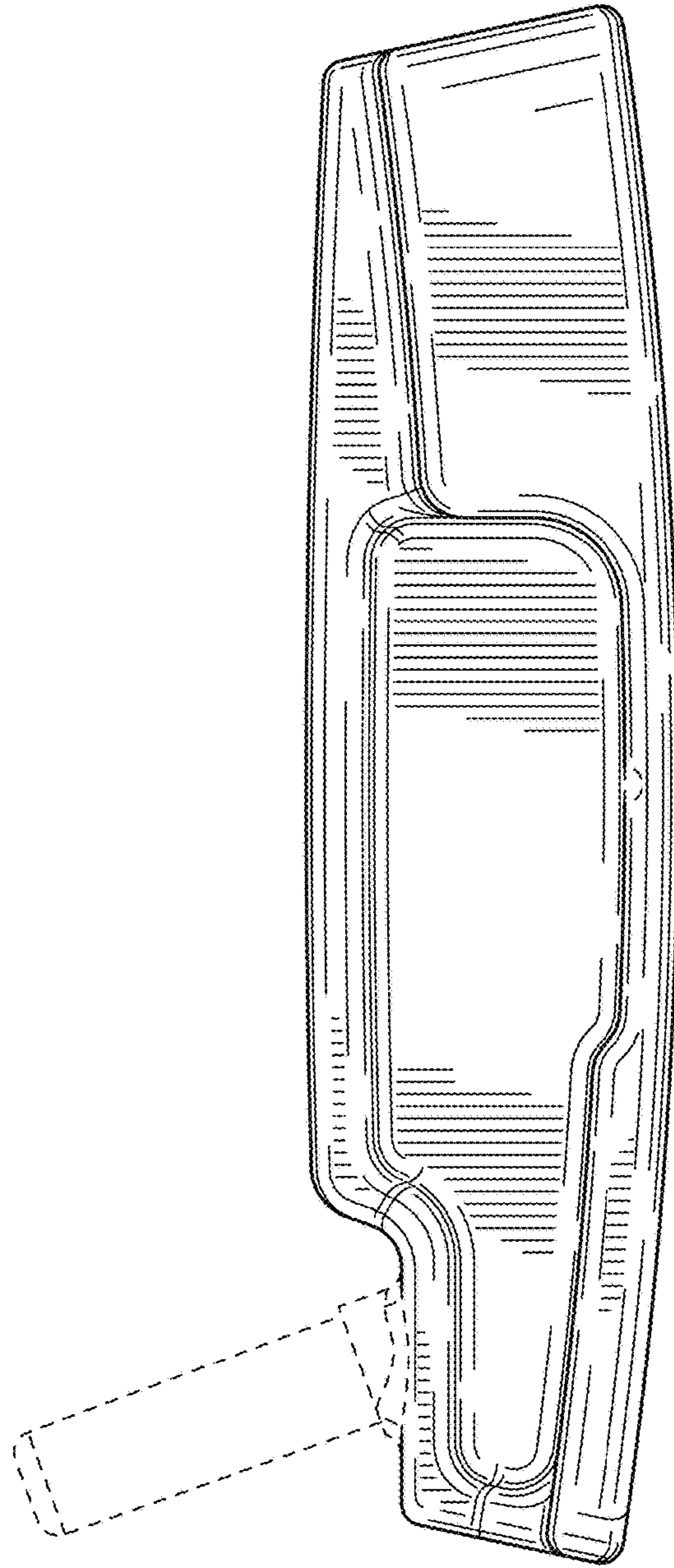


FIG. 4

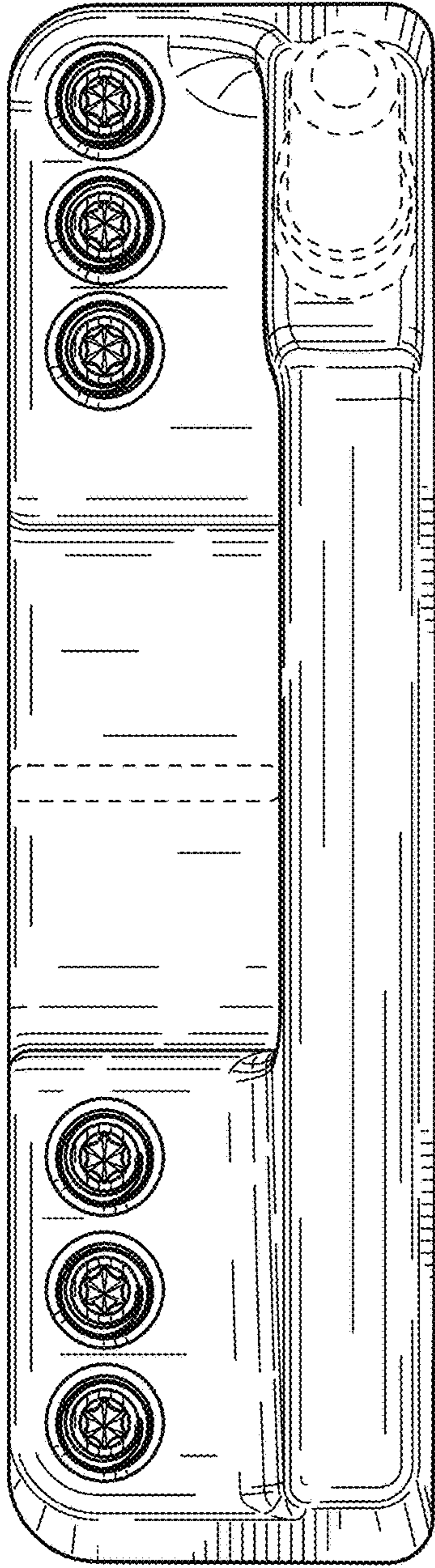


FIG. 5

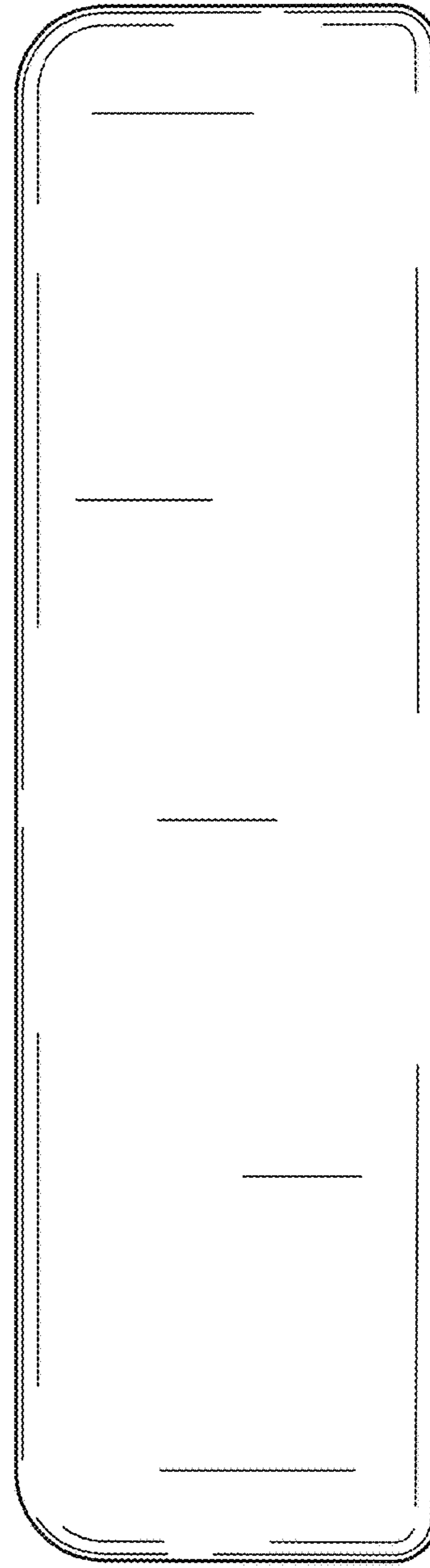


FIG. 6

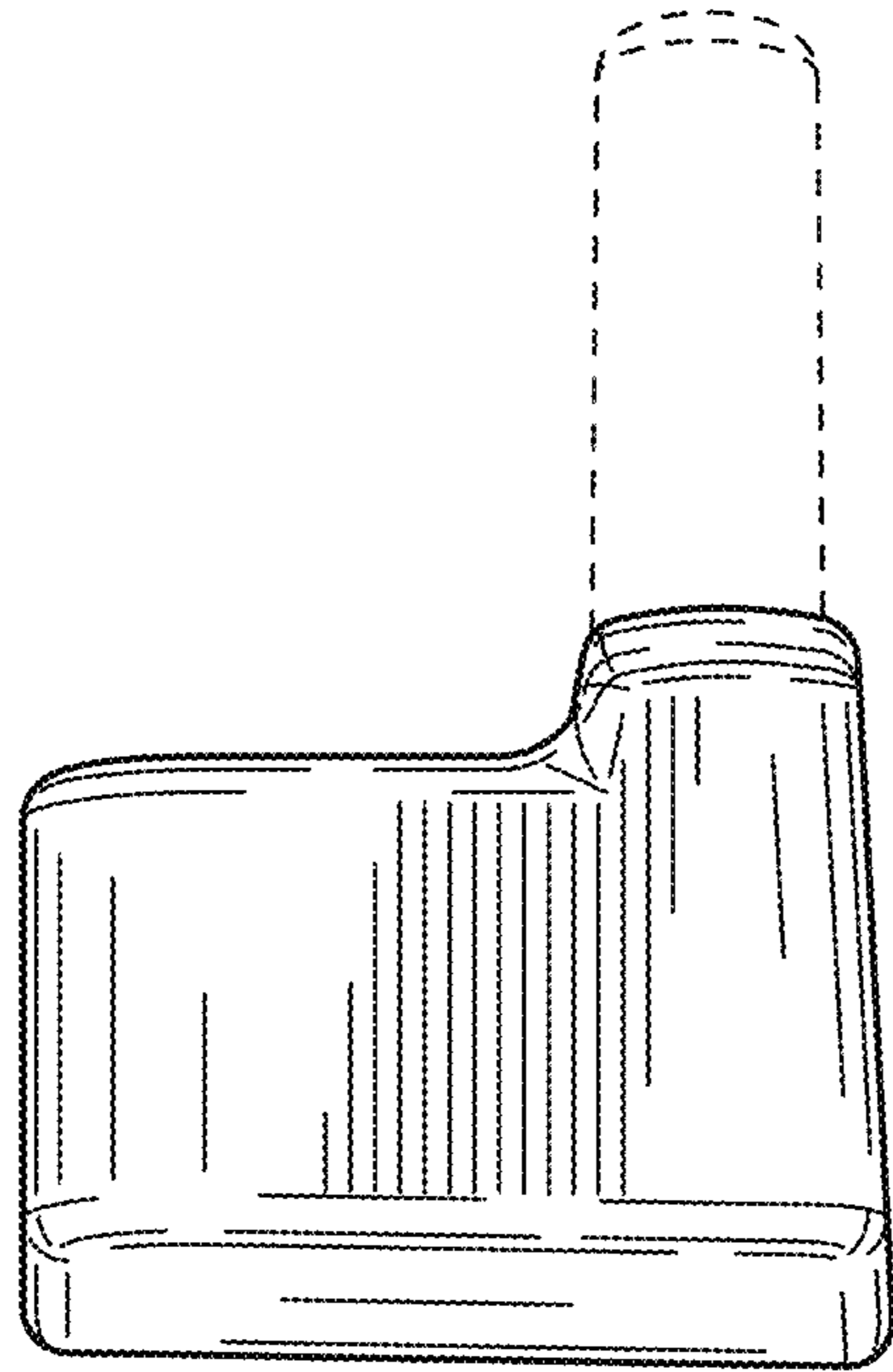


FIG. 7

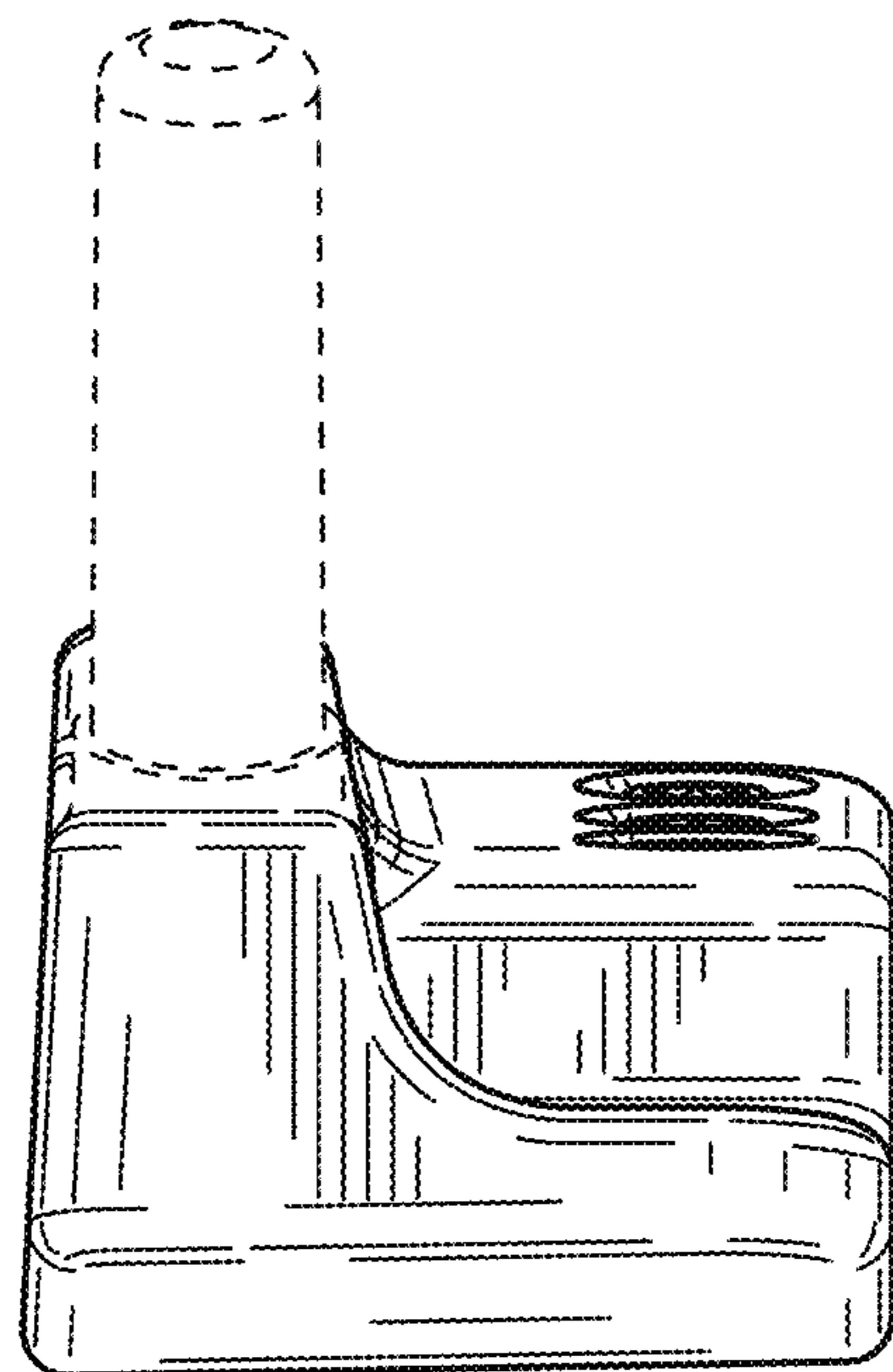


FIG. 8

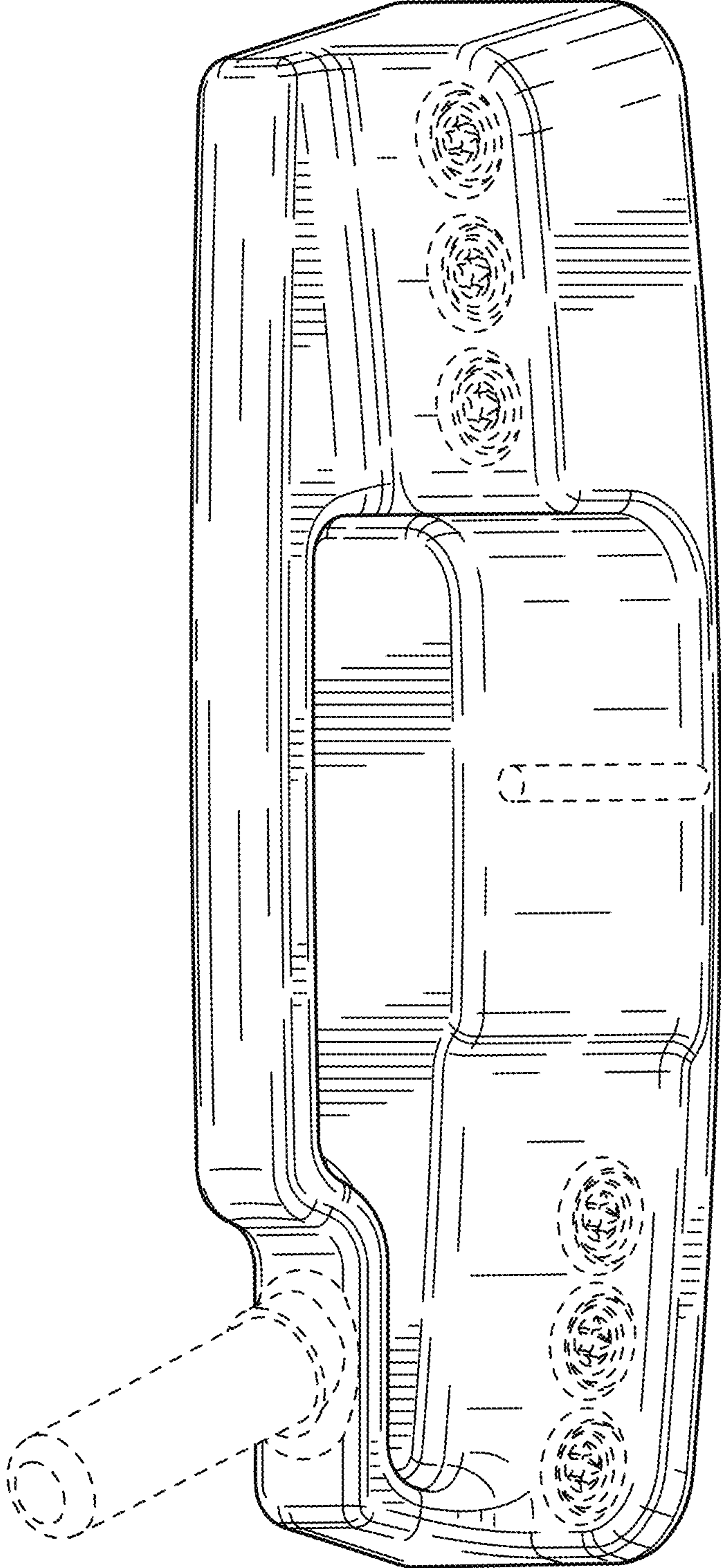


FIG. 9

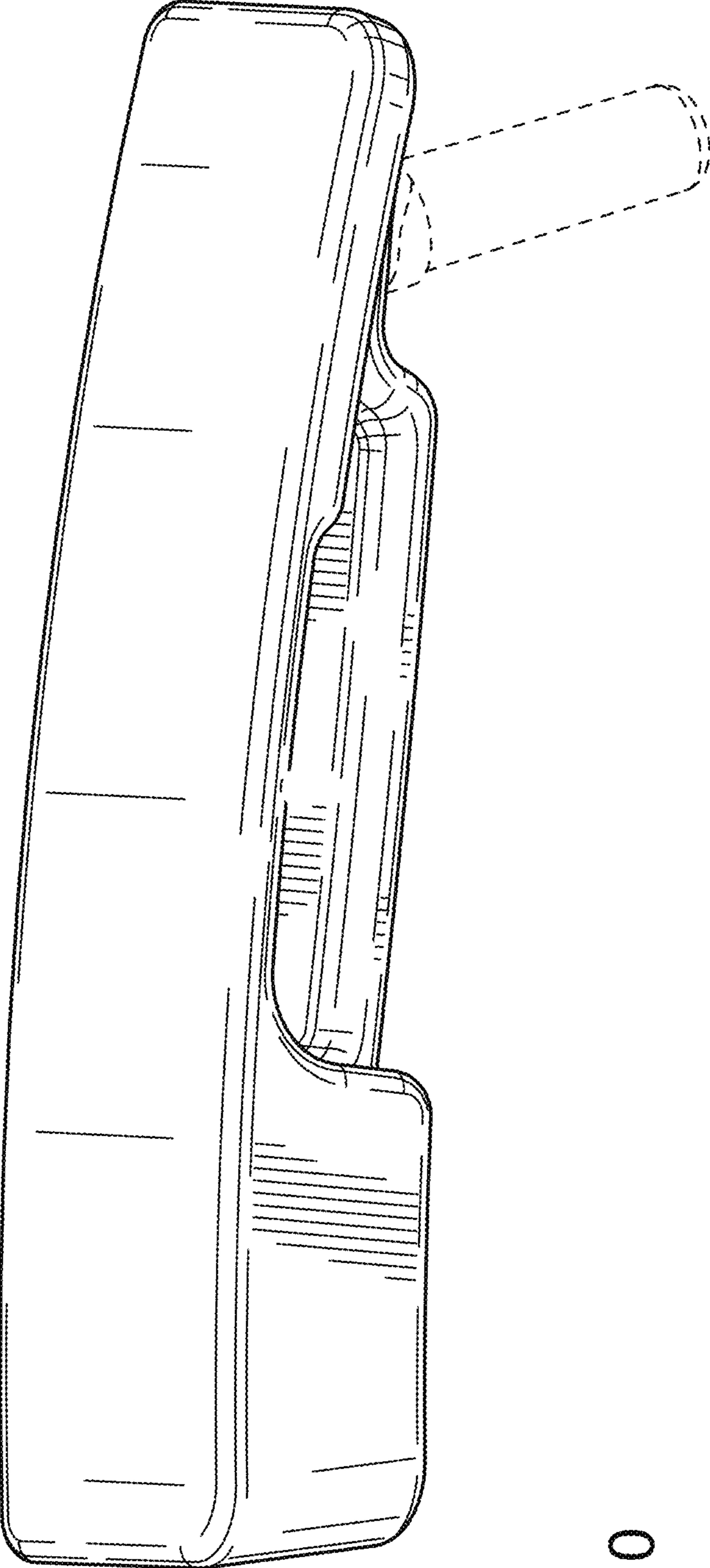


FIG. 10

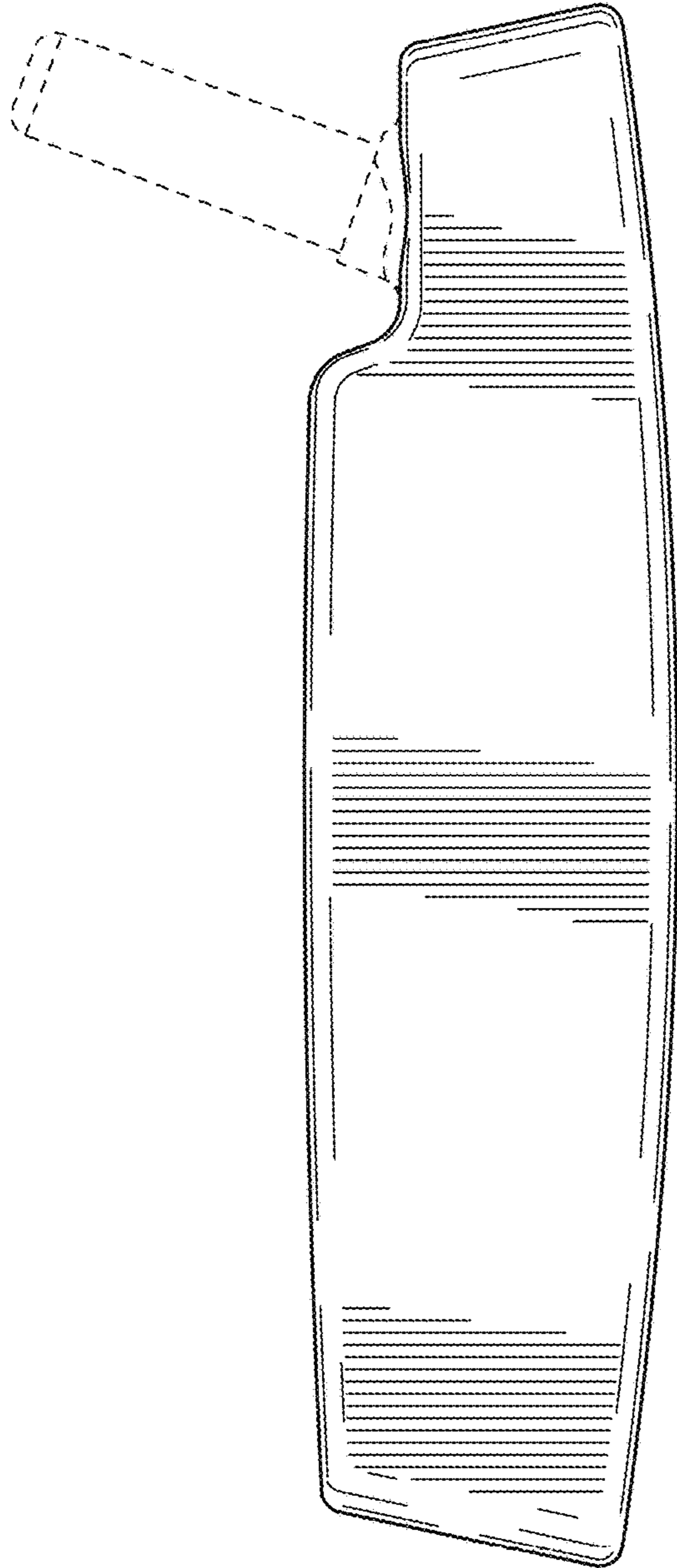


FIG. 11

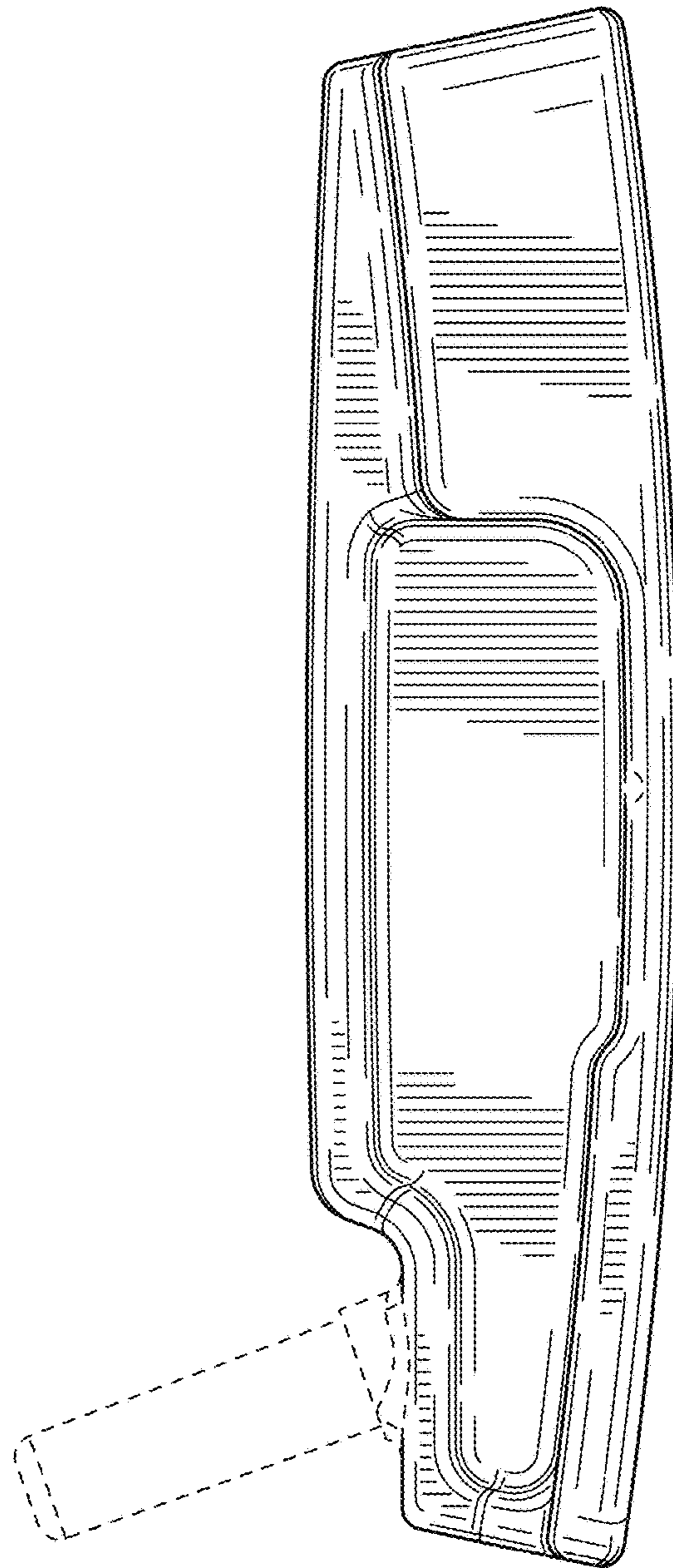


FIG. 12

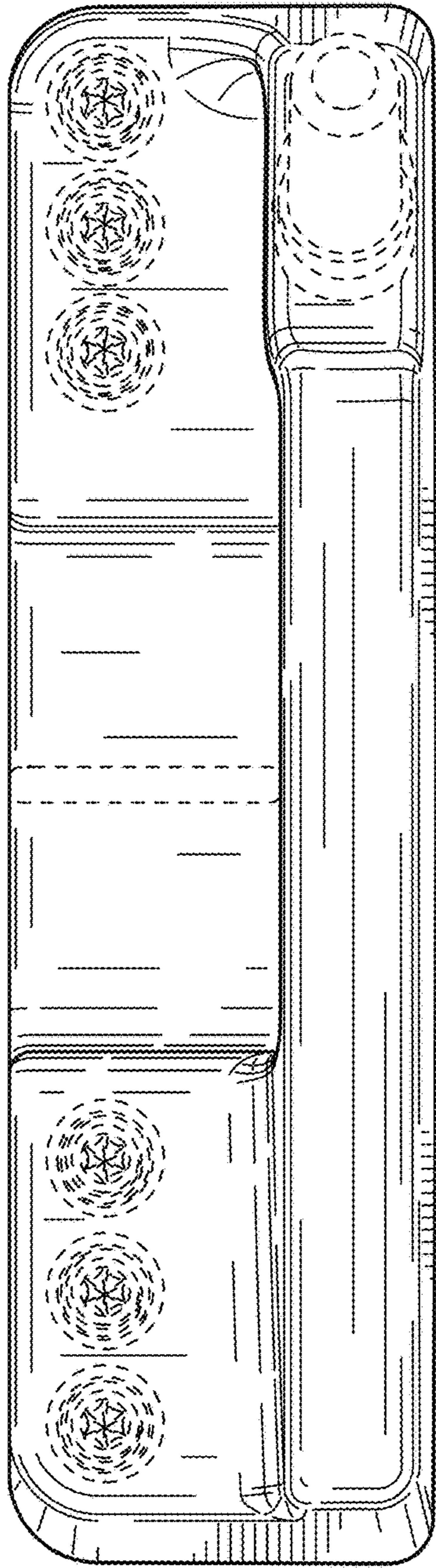


FIG. 13

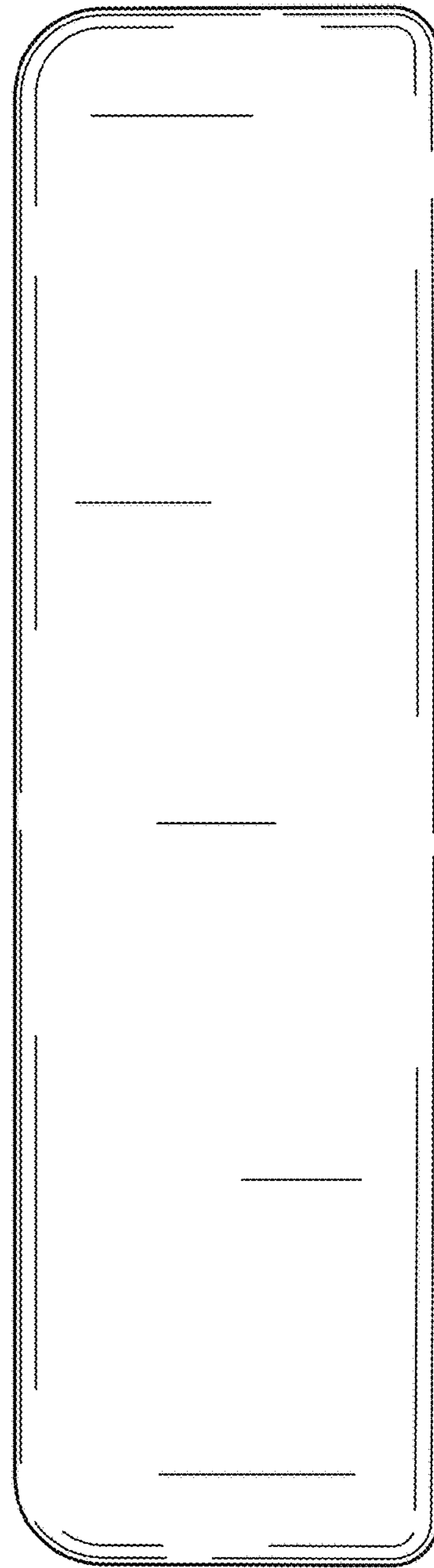


FIG. 14

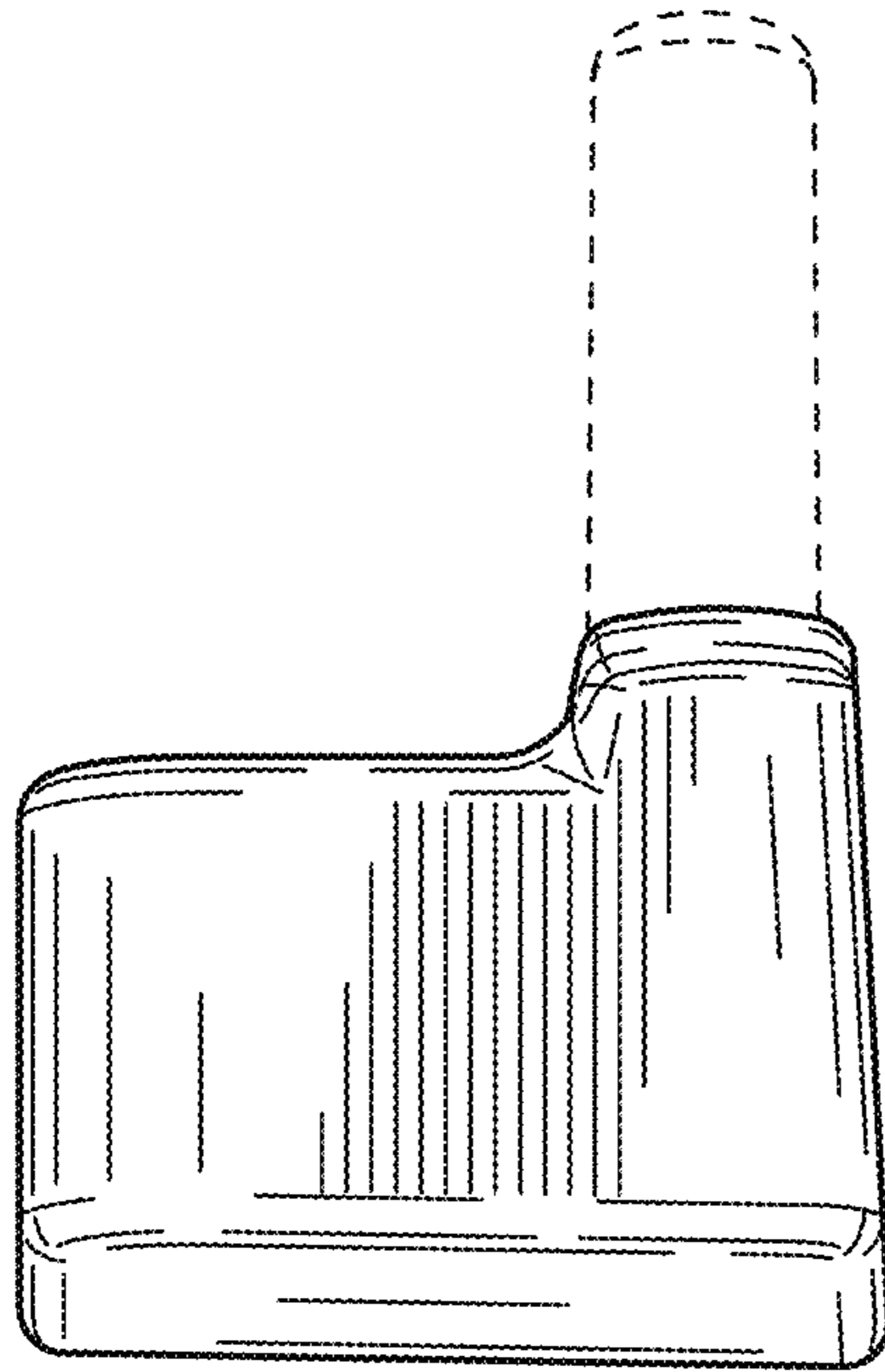


FIG. 15

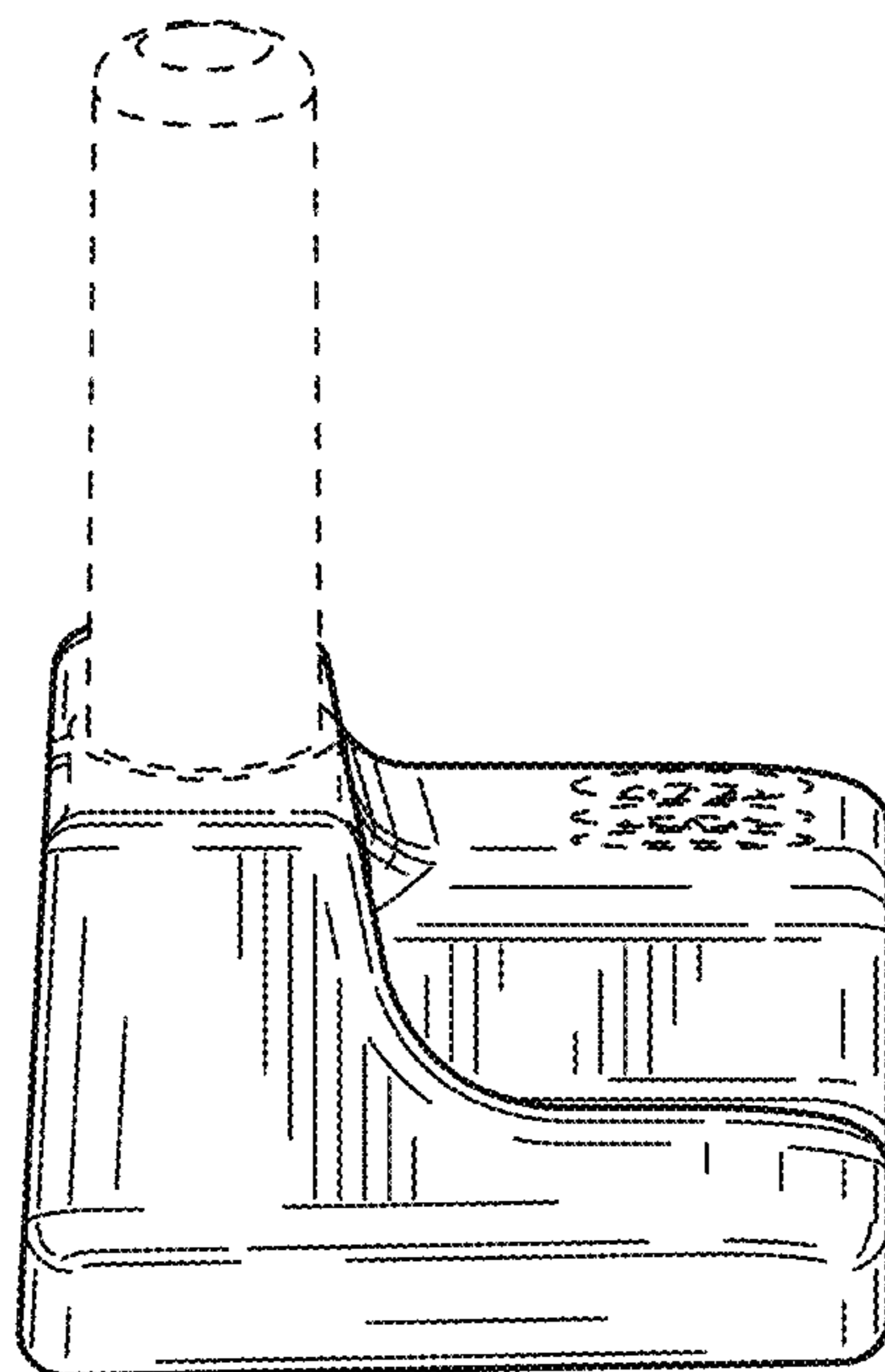


FIG. 16