



US00D799614S

(12) **United States Design Patent**
Cynn

(10) **Patent No.:** **US D799,614 S**

(45) **Date of Patent:** **** Oct. 10, 2017**

(54) **PUTTER HEAD**

(71) Applicant: **Kie Ho Cynn**, Kapolei, HI (US)

(72) Inventor: **Kie Ho Cynn**, Kapolei, HI (US)

(**) Term: **15 Years**

(21) Appl. No.: **29/505,942**

(22) Filed: **Apr. 20, 2016**

(51) **LOC (10) Cl.** **21-02**

(52) **U.S. Cl.**
USPC **D21/735; D21/746**

(58) **Field of Classification Search**
USPC D21/735-746
CPC ... A63B 53/065; A63B 53/0487; A63B 53/00;
A63B 53/007; A63B 53/04
See application file for complete search history.

(56) **References Cited**

U.S. PATENT DOCUMENTS

4,222,566	A *	9/1980	Berry	A63B 53/0487
					473/250
D257,869	S *	1/1981	MacDougall	D21/739
D257,870	S *	1/1981	MacDougall	D21/739
4,369,974	A *	1/1983	Komperda	A63B 53/007
					273/DIG. 14
D268,691	S *	4/1983	Collins	D21/739
D300,839	S *	4/1989	Dupont	D21/738
D317,193	S *	5/1991	Florian	D21/735
D325,414	S *	4/1992	Woolsey	D21/737

D402,724	S *	12/1998	Minami	D21/743
D403,387	S *	12/1998	Bloomer	D21/736
D564,053	S *	3/2008	Blankenship	D21/736
D568,427	S *	5/2008	Nguyen	D21/743
D607,950	S *	1/2010	Souza	D21/736
D636,828	S *	4/2011	Ross	D21/736
D666,260	S *	8/2012	Cynn	D21/742
D669,145	S *	10/2012	Roland	D21/736
D680,181	S *	4/2013	Roland	D21/759
D697,567	S *	1/2014	Cynn	D21/742
D705,369	S *	5/2014	Mickle	D21/736
8,888,605	B2 *	11/2014	Cynn	A63B 53/0487
					473/249
9,227,116	B2 *	1/2016	Cynn	A63B 53/04
2010/0227704	A1 *	9/2010	Souza	A63B 53/0487
					473/340

* cited by examiner

Primary Examiner — Mitchell Siegel

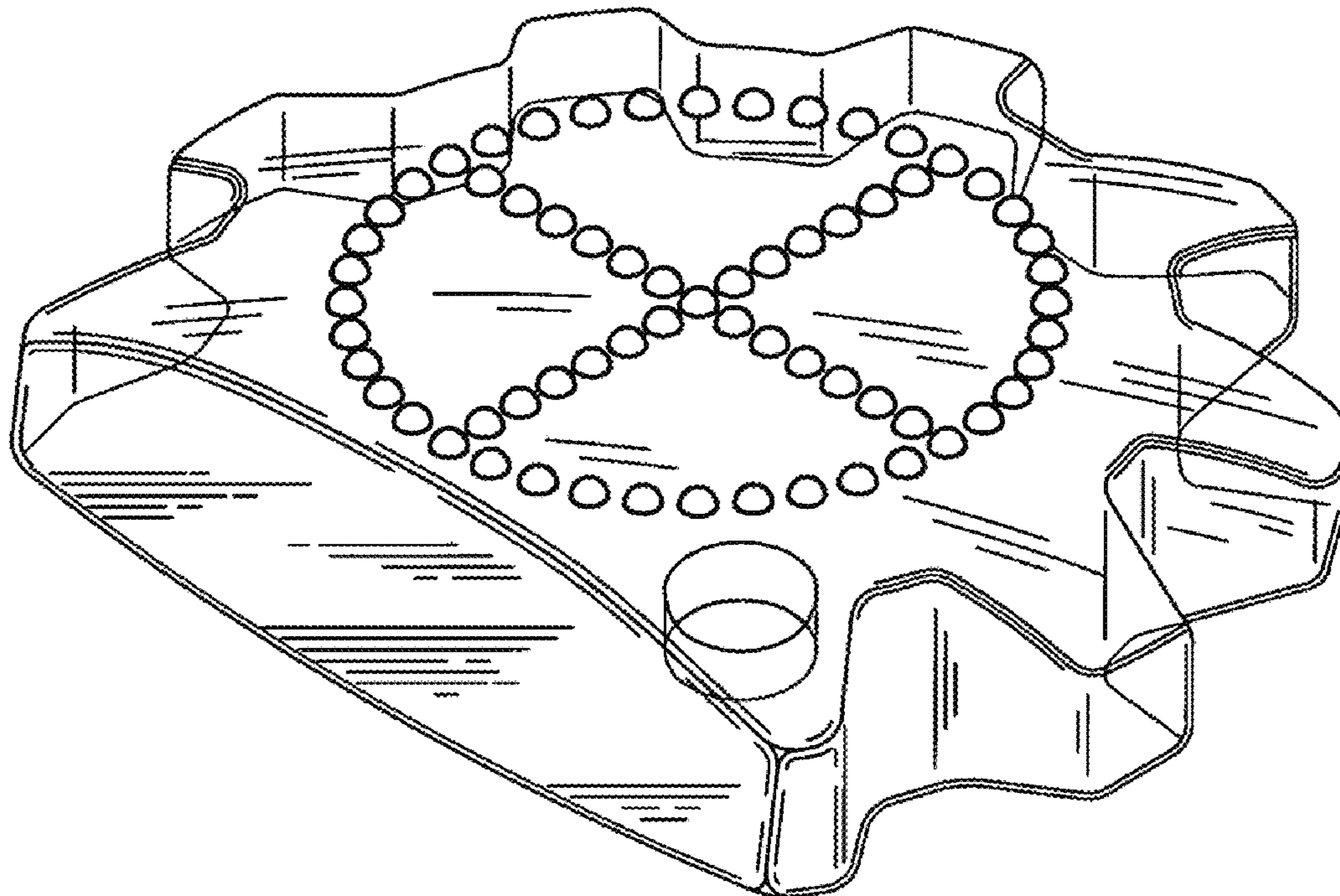
(57) **CLAIM**

The ornamental design for a putter head, as shown and described.

DESCRIPTION

FIG. 1 is a top perspective view of a putter head showing my new design;
FIG. 2 is a front elevational view of FIG. 1;
FIG. 3 is a top plan view of FIG. 1;
FIG. 4 is a left side elevation view of FIG. 1;
FIG. 5 is right side elevation view of FIG. 1;
FIG. 6 is a bottom plan view of FIG. 1; and,
FIG. 7 is a rear elevational view of FIG. 1.

1 Claim, 3 Drawing Sheets



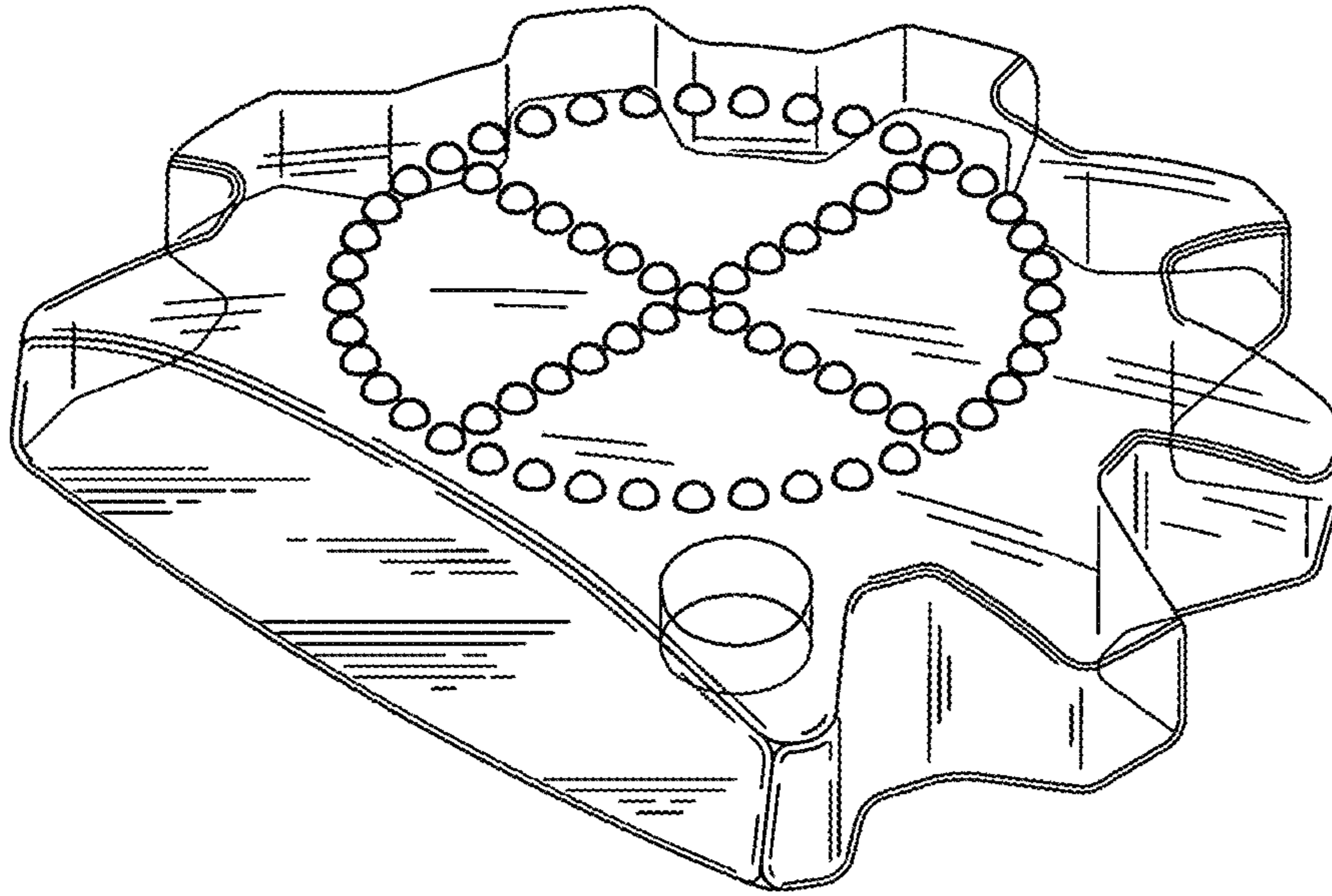


Fig. 1

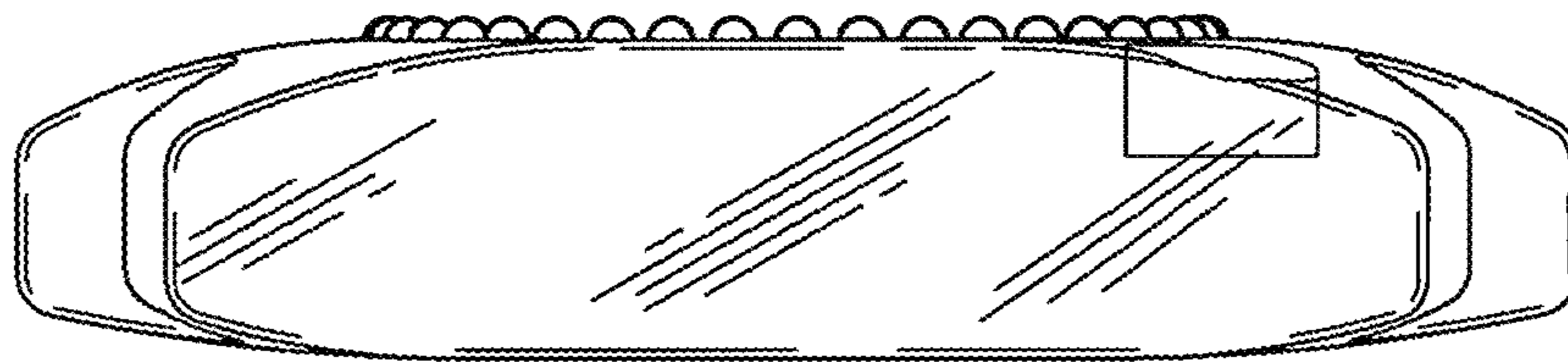


Fig. 2

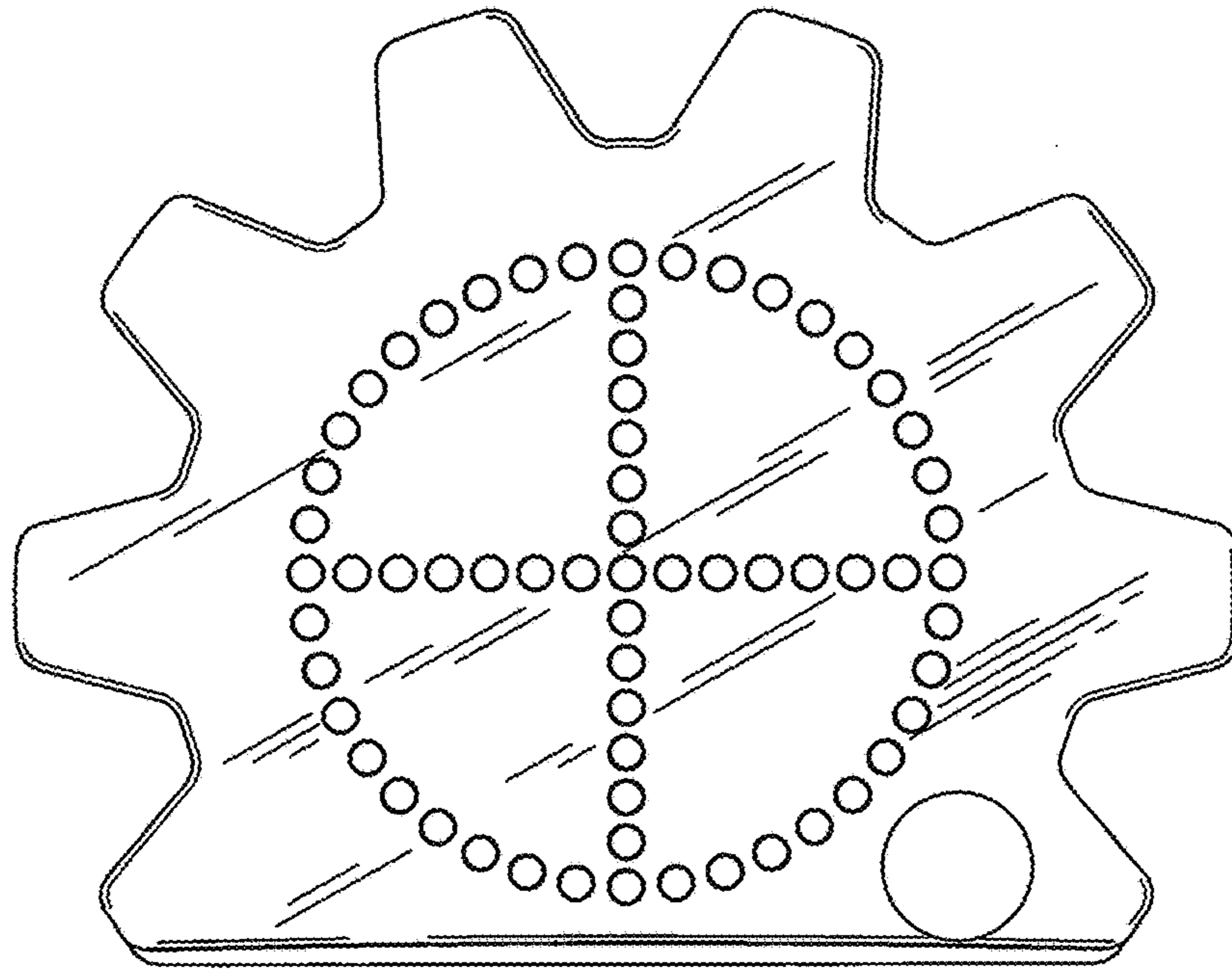


Fig. 3

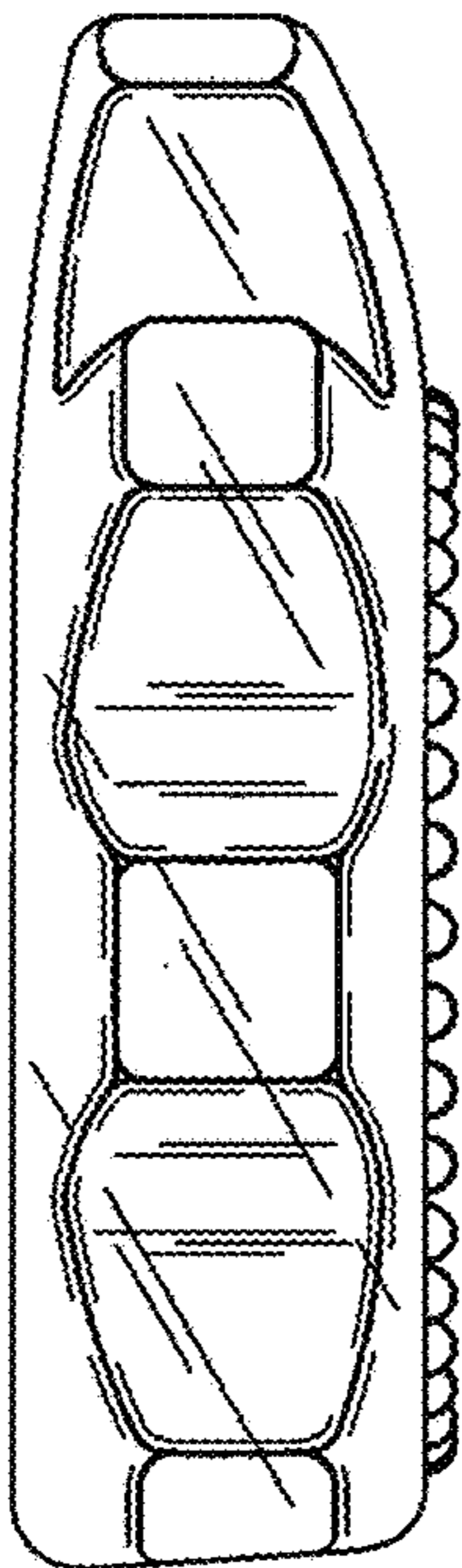


Fig. 4

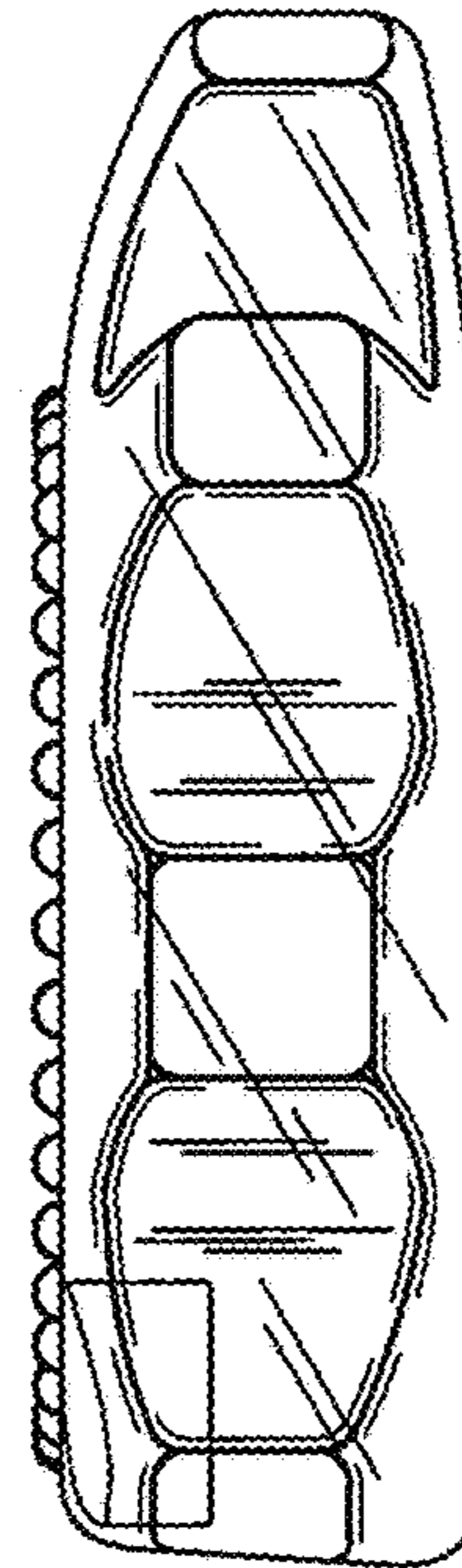


Fig. 5

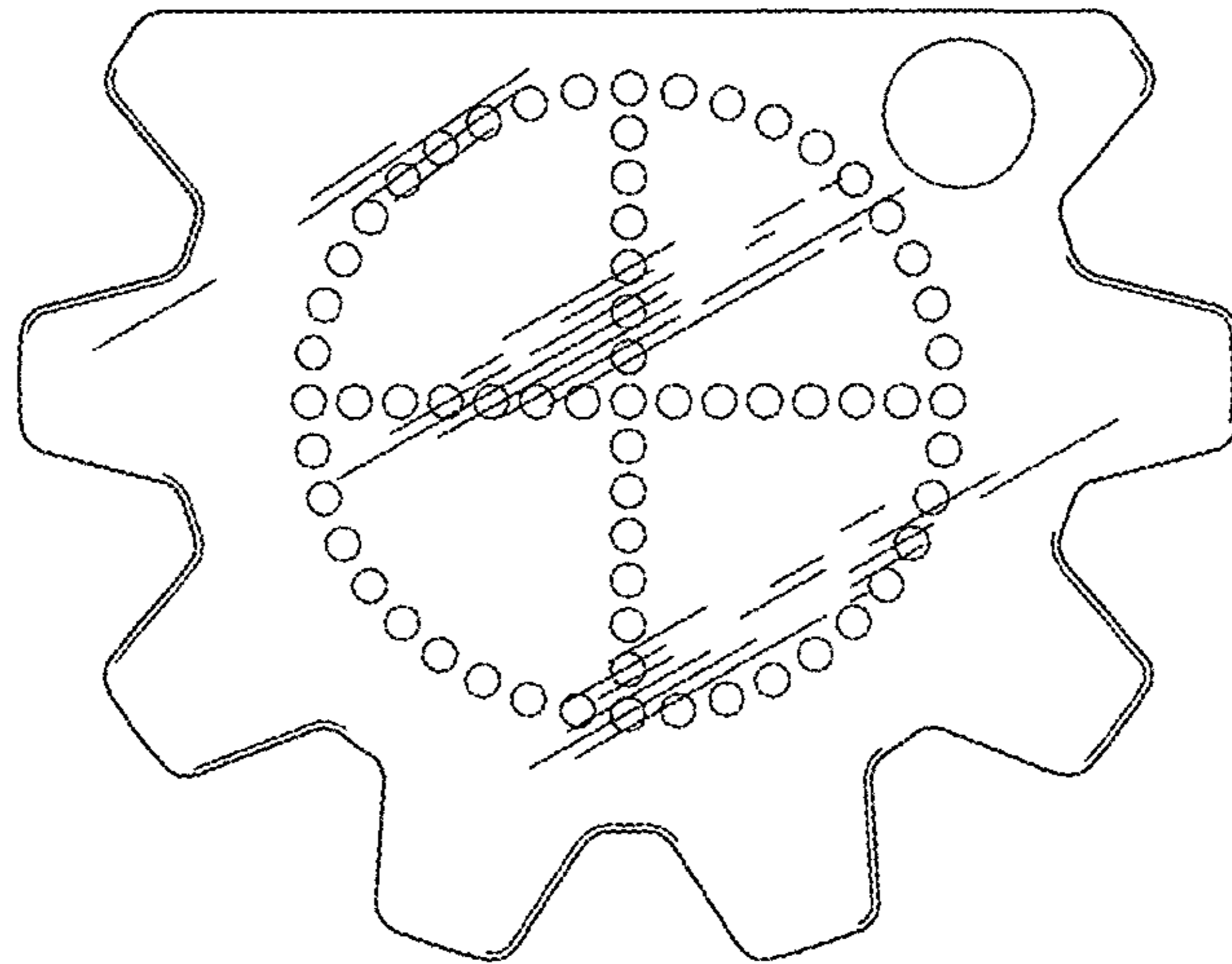


Fig. 6

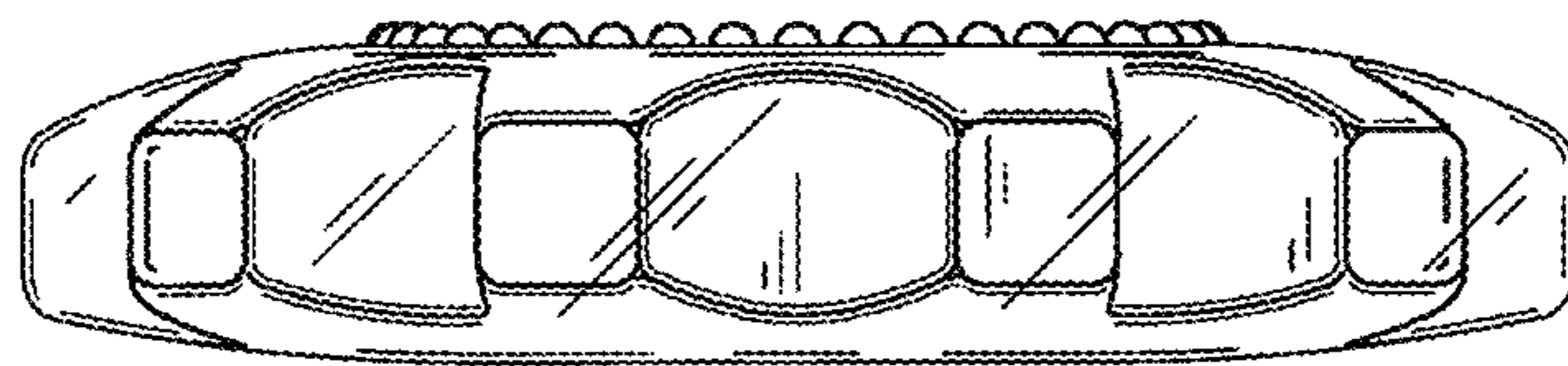


Fig. 7