



US00D799613S

(12) **United States Design Patent**
Dillon

(10) **Patent No.:** **US D799,613 S**
(45) **Date of Patent:** **** Oct. 10, 2017**

(54) **PICKLE BALL**

(71) Applicant: **Wilson Sporting Goods Co.**, Chicago, IL (US)

(72) Inventor: **William E. Dillon**, Chicago, IL (US)

(73) Assignee: **Wilson Sporting Goods Co.**, Chicago, IL (US)

(**) Term: **15 Years**

(21) Appl. No.: **29/553,667**

(22) Filed: **Feb. 3, 2016**

(51) **LOC (10) Cl.** **21-02**

(52) **U.S. Cl.**
USPC **D21/713**

(58) **Field of Classification Search**
USPC D21/707-714, 406, 466, 719; D30/160; 428/11; 473/569-571, 575-577, 595, 473/596, 597, 612-615, 381, 572, 573; 434/96, 208, 213, 403
CPC A63B 43/00; A63B 43/002; A63B 43/007; A63B 2043/001; A63B 69/3655; A63B 2069/0008; A63B 37/0003; A63B 37/0098; A63B 37/12; A63B 37/14; A63B 39/00; A63B 39/06; A63B 39/08; A63B 2039/003; A63B 37/0006; A63B 37/0022; A63B 2043/008

See application file for complete search history.

(56) **References Cited**

U.S. PATENT DOCUMENTS

- 1,550,795 A * 8/1925 Fox A63B 37/00 473/602
- 2,020,484 A * 11/1935 Turner A63B 43/06 362/190
- 2,258,174 A * 10/1941 Chawner B08B 9/0552 15/104.061
- 3,197,927 A * 8/1965 Fuller E04B 1/3211 52/20

- 3,218,075 A * 11/1965 Shakespeare A63B 37/0003 473/357
- 3,233,544 A * 2/1966 Hosoya A63B 37/0003 102/334
- 4,248,010 A * 2/1981 Fox A63H 33/18 446/47
- 4,796,883 A * 1/1989 Ratner A63B 67/086 273/440
- 5,379,557 A * 1/1995 Kotter E01F 8/0023 52/591.2
- 5,516,099 A * 5/1996 Strong A63B 43/00 473/614

(Continued)

FOREIGN PATENT DOCUMENTS

- KR WO-2009054684 A2 * 4/2009 A63B 37/0004

OTHER PUBLICATIONS

Pickeball shown on webpage: <http://web.archive.org/web/20101006180231/http://www.amazon.com/Pickle-Balls-Seamless-perforated-Baseball/dp/B002YS3N6E>, Web Archive capture date: Oct. 6, 2010, Retrieved: Dec. 30, 2016.*

(Continued)

Primary Examiner — Catherine A Tuttle
(74) *Attorney, Agent, or Firm* — Terence P. O'Brien

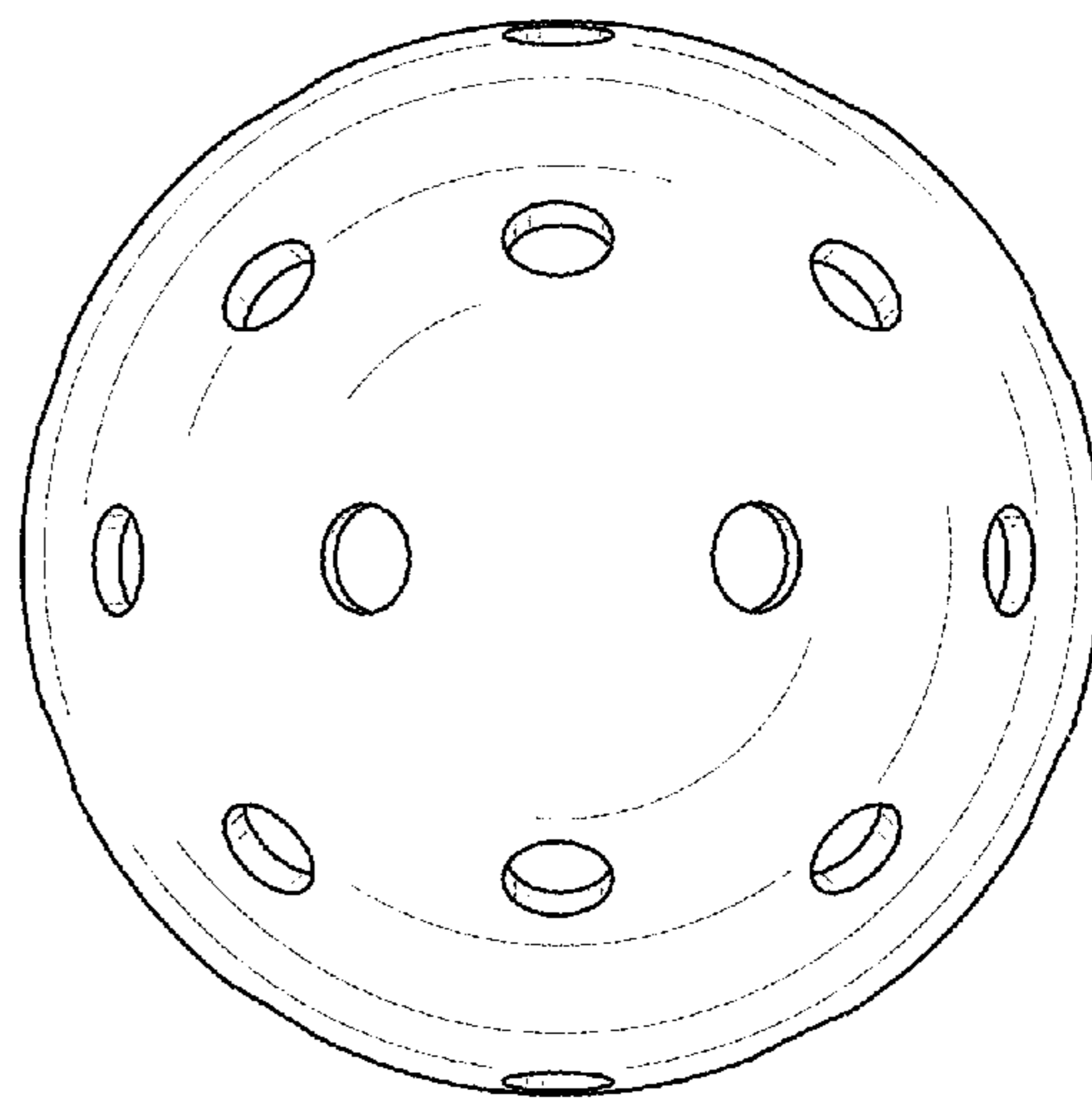
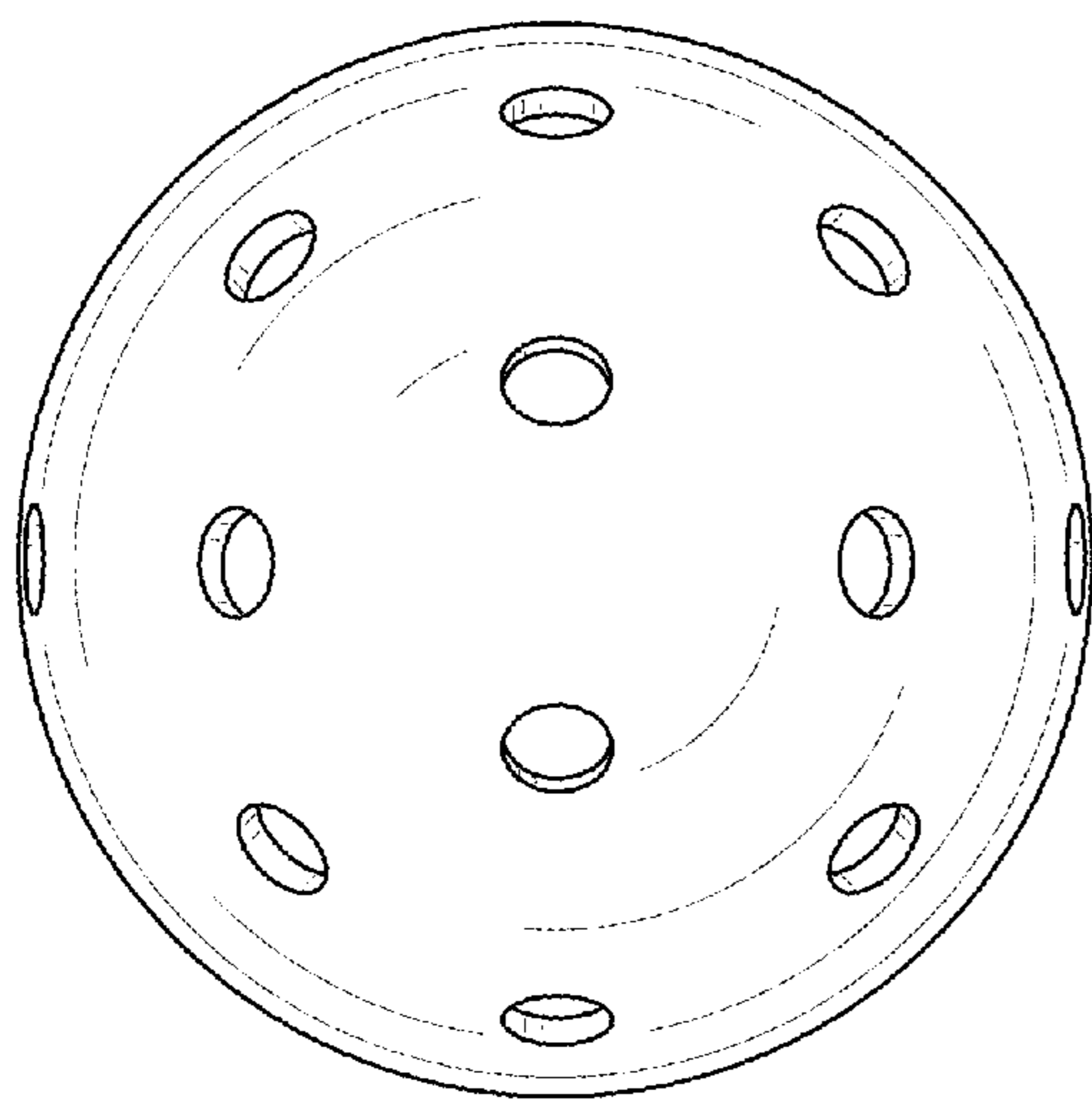
(57) **CLAIM**

I claim the ornamental design for a pickle ball, as shown and described.

DESCRIPTION

FIG. 1 is a front view of a pickle ball;
FIG. 2 is a first side view of the pickle ball of FIG. 1;
FIG. 3 is a rear view of the pickle ball of FIG. 1;
FIG. 4 is a second side view of the pickle ball of FIG. 1;
FIG. 5 is a top view of the pickle ball of FIG. 1; and,
FIG. 6 is a bottom view of the pickle ball of FIG. 1.

1 Claim, 3 Drawing Sheets



(56)

References Cited

U.S. PATENT DOCUMENTS

5,575,477 A * 11/1996 Hwang A63B 37/0004
473/379
5,636,844 A * 6/1997 de Buys A63B 67/02
273/317.2
5,842,938 A * 12/1998 Garber A63B 43/007
473/418
6,012,997 A * 1/2000 Mason A63B 43/00
273/DIG. 20
6,144,773 A * 11/2000 Kolarov G06T 9/40
375/E7.072
6,172,665 B1 * 1/2001 Bullister G06F 3/0213
345/163
6,390,934 B1 * 5/2002 Winfield A63B 24/0021
382/169
D459,404 S * 6/2002 Perez D21/713
8,715,117 B1 * 5/2014 Janish A63B 47/02
473/517
D738,972 S * 9/2015 Black D21/707
2001/0019973 A1 * 9/2001 Maruko A63B 37/0003
473/374
2002/0193178 A1 * 12/2002 Saiz A63B 37/0004
473/355
2003/0147539 A1 * 8/2003 Elko H04R 3/005
381/92
2003/0190657 A1 * 10/2003 White G06F 19/26
435/6.16
2007/0084095 A1 * 4/2007 Wellington, Jr. A63B 43/008
40/327
2007/0281803 A1 * 12/2007 Jeong A63B 37/0003
473/371
2008/0099994 A1 * 5/2008 Tuttle A63B 37/0003
273/280
2011/0177886 A1 * 7/2011 Tutmark A63B 37/0003
473/378
2011/0275463 A1 * 11/2011 Lim A63B 43/00
473/613
2012/0071275 A1 * 3/2012 Williams A63B 37/0022
473/378
2013/0040767 A1 * 2/2013 Gill A63B 43/06
473/465
2013/0137540 A1 * 5/2013 Jones A63B 69/0002
473/451

2013/0161876 A1 * 6/2013 Molinari B29C 45/2628
264/516
2013/0203531 A1 * 8/2013 Naum A63B 43/00
473/614
2013/0296085 A1 * 11/2013 Parenti A63B 39/06
473/611
2014/0270245 A1 * 9/2014 Elko H04R 3/005
381/92

OTHER PUBLICATIONS

Pickleball shown on webpage: http://web.archive.org/web/20141203035039/http://www.pickleballcentral.com/Pickleball_Selection_Guide_Balls_s/158.htm, Web Archive capture date: Dec. 3, 2014, Retrieved: Dec. 30, 2016.*
Pickleballs shown on webpage: <http://web.archive.org/web/20150603013319/http://www.pickleballcentral.com/v/vspfiles/photos/PB111-15.jpg>, Web archive capture date: Jun. 3, 2015, Retrieved: Dec. 31, 2016.*
Pickleballs shown on webpage: <http://web.archive.org/web/20150603013928/http://www.pickleballcentral.com/v/vspfiles/photos/PB111-6.jpg>, Web archive capture date: Jun. 3, 2015, Retrieved: Dec. 31, 2016.*
Pickleball shown on webpage: <http://web.archive.org/web/20121015233415/http://www.paddleballgalaxy.com/PG/product/PickIncBallDura40InOut.html> Web archive capture date: Oct. 15, 2012 Retrieved: Dec. 30, 2016.*
GLS Greg Larson Sports 2002 Full line Catalog, p. 308: D56 Pickleball.*
Pickleball shown on webpage: http://web.archive.org/web/20141206153000/http://www.pickleballcentral.com/Pickleball_balls_s/2.htm Web arcive capture date: Dec. 6, 2014 Retrieved: Dec. 30, 2016.*
Pickleball shown on webpage: http://web.archive.org/web/20141218210208/http://www.pickleballcentral.com/Dura_Fast_40_Outdoor_Pickleball_p/pb111.htm Web archive capture date: Dec. 18, 2014 Retrieved: Dec. 30, 2016.*
Spherical pentakis dodecahedron shown on webpage: https://web.archive.org/web/20141215001256/http://en.wikipedia.org/wiki/Pentakis_dodecahedron Web Archive display date: Dec. 15, 2014, Accessed: Aug. 14, 2017.*

* cited by examiner

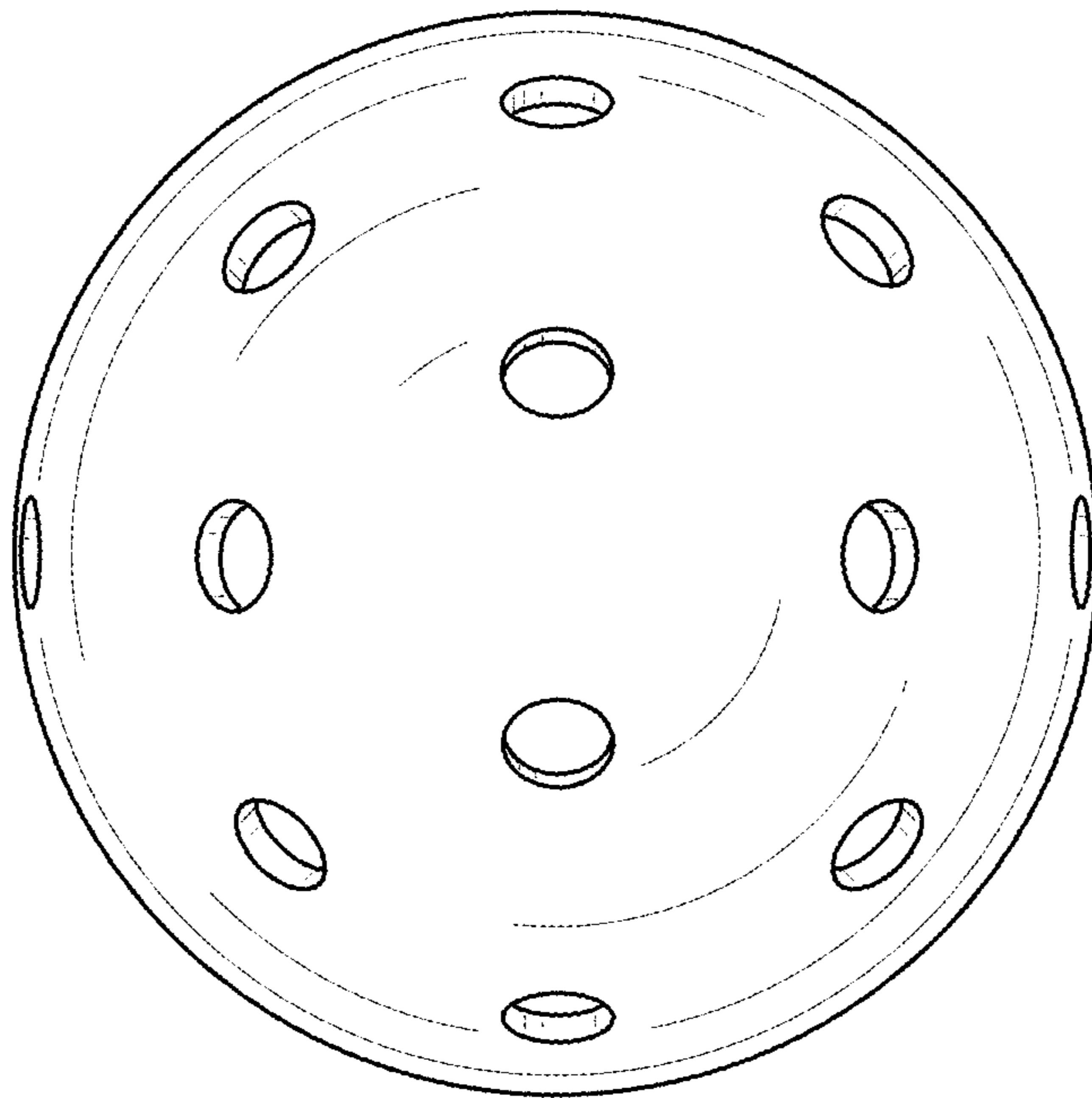


FIG. 1

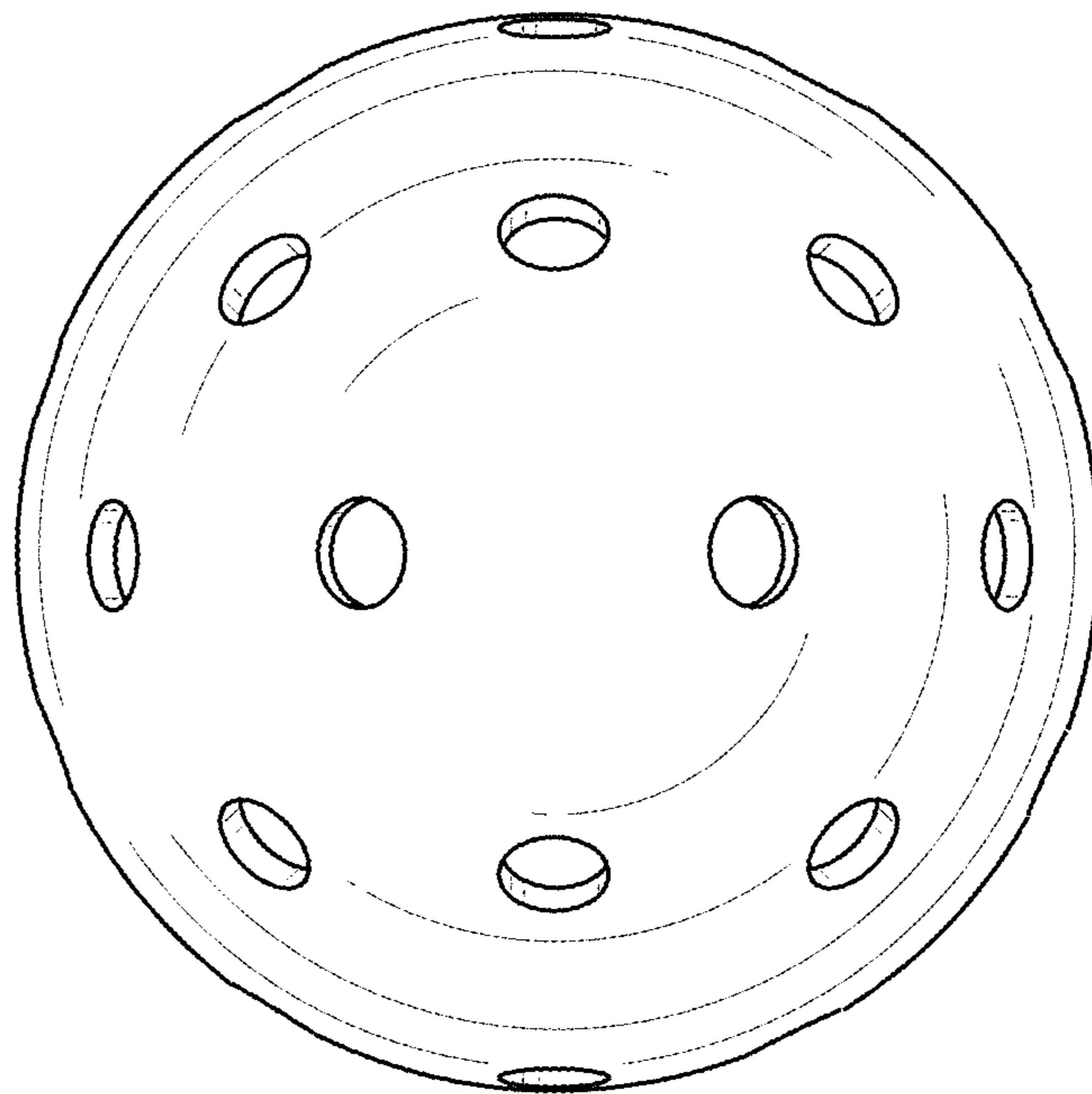


FIG. 2

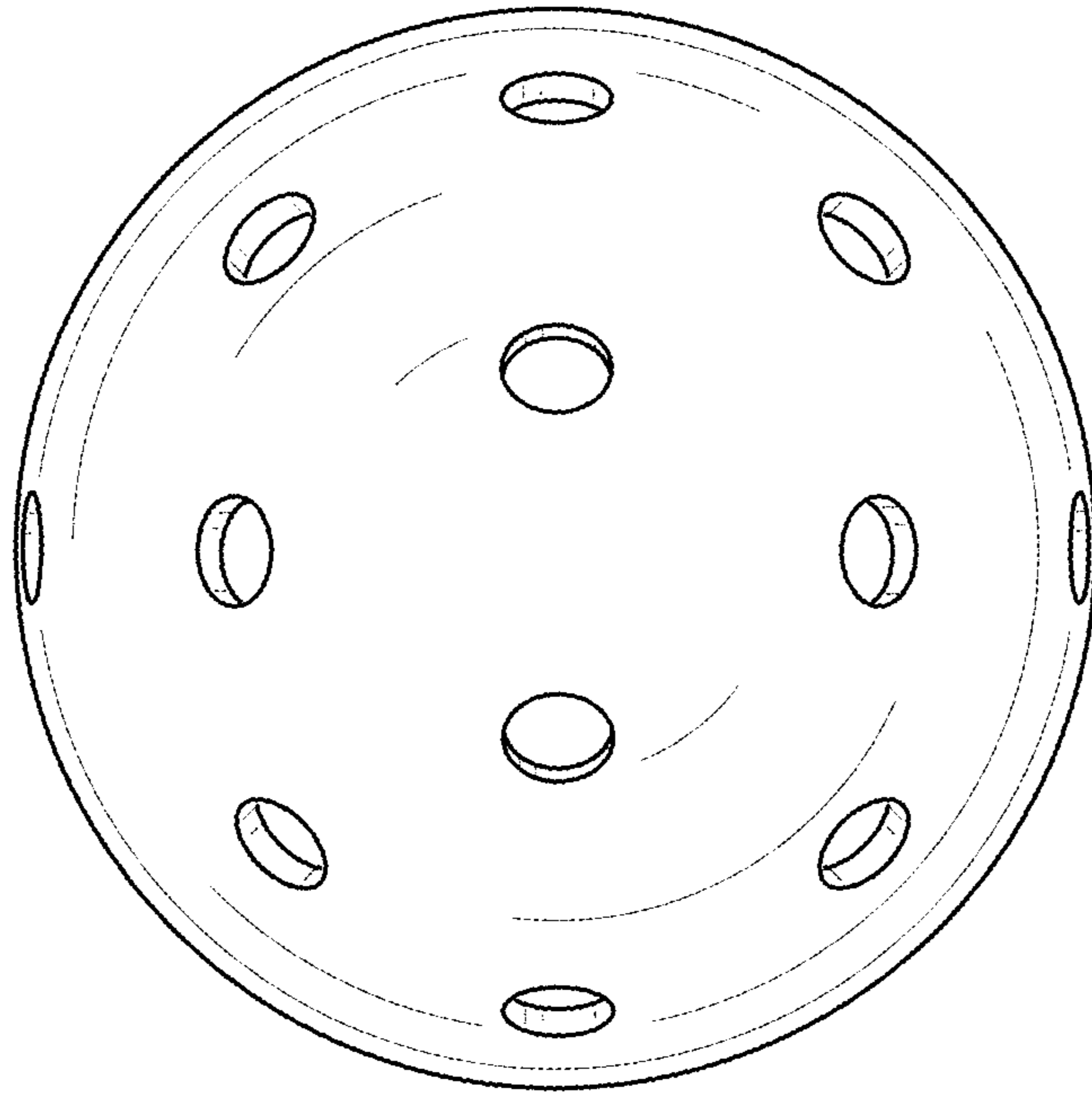


FIG. 3

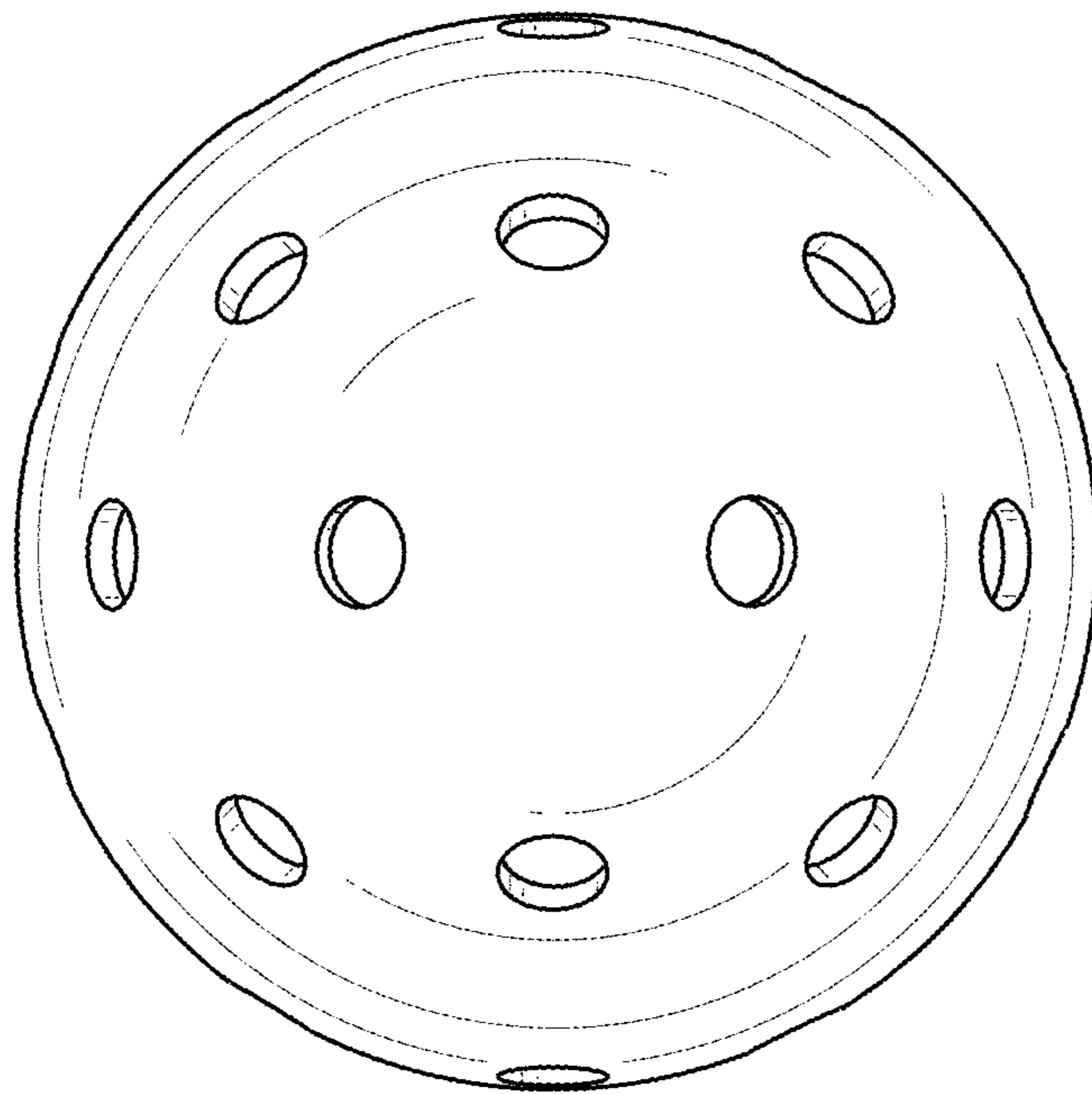


FIG. 4

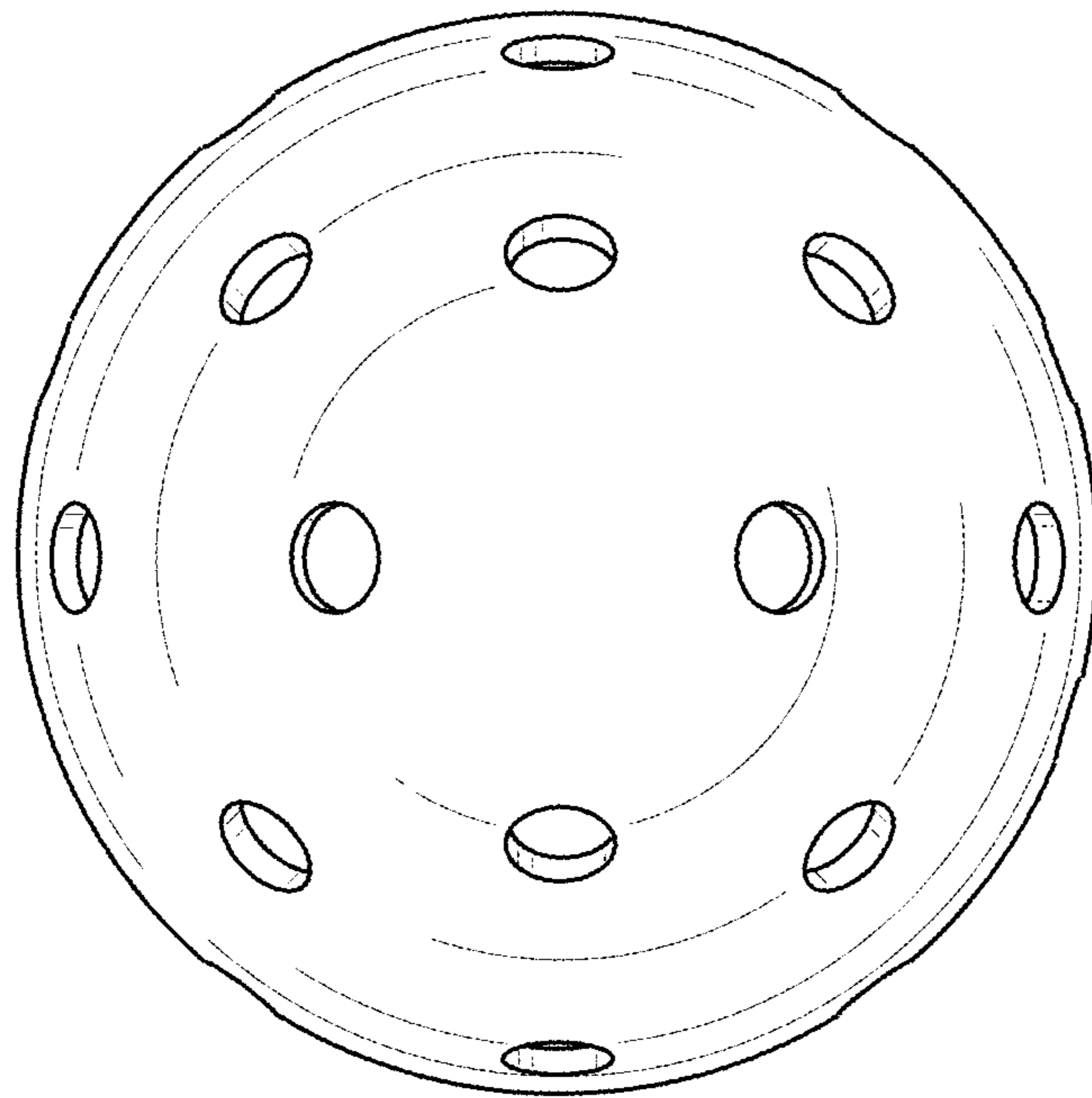


FIG. 5

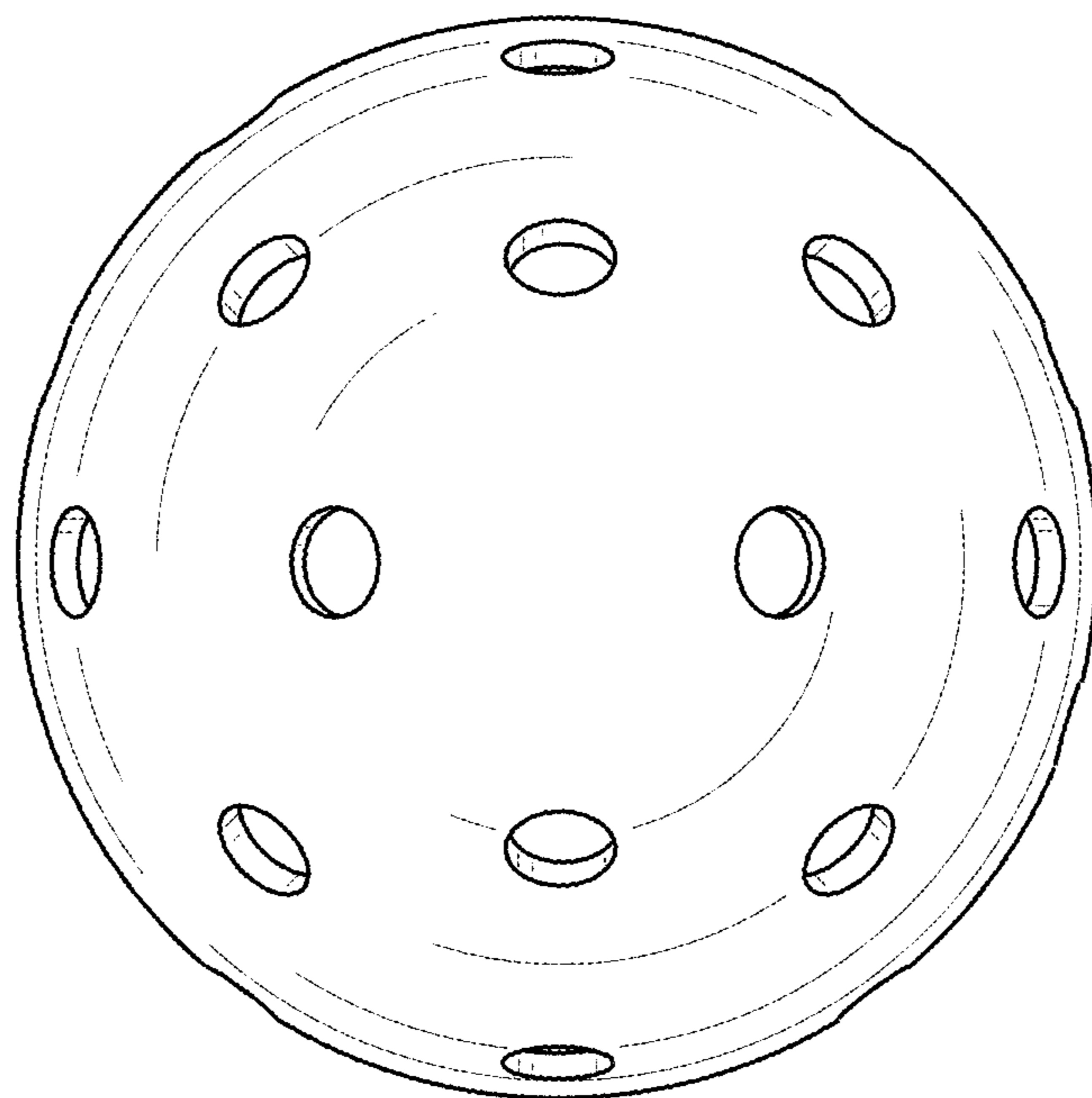


FIG. 6