



US00D799610S

(12) **United States Design Patent**  
**Ho et al.**

(10) **Patent No.:** **US D799,610 S**  
(45) **Date of Patent:** **\*\* Oct. 10, 2017**

(54) **DUMBBELL**

(71) Applicants: **Wei-Teh Ho**, Taipei (TW); **Willy Ho**, Taipei (TW)

(72) Inventors: **Wei-Teh Ho**, Taipei (TW); **Willy Ho**, Taipei (TW)

(\*\*) Term: **15 Years**

(21) Appl. No.: **29/543,162**

(22) Filed: **Oct. 21, 2015**

(51) **LOC (10) Cl.** ..... **21-02**

(52) **U.S. Cl.**  
USPC ..... **D21/681**

(58) **Field of Classification Search**  
USPC ..... D21/680, 682, 681, 678, 662, 679, 684, D21/686, 801, 694, 691, 692; 173/102, 173/103, 118, 126, 133; 482/108, 93, 482/110, 111, 105, 8, 107, 106, 139, 94, 482/104, 140, 109, 51, 70, 74, 98, 1, 121, 482/55, 141, 124, 128; D9/680, 629, D9/456, 668; D8/85, 45, 107, 90, 317, D8/387, 397, 343, 31, 75, 14; D11/81, D11/91, 56, 80, 7, 52, 14, 201; D12/215  
CPC ..... A63B 21/075; A63B 21/0728; A63B 21/00065; A63B 21/0726; A63B 23/1236; A63B 21/4035; A63B 21/072; A63B 21/00047; A63B 21/068  
See application file for complete search history.

8,033,965 B1 \* 10/2011 Krull ..... A63B 21/072  
482/107  
D654,544 S \* 2/2012 Sliemers ..... D21/662  
D695,364 S \* 12/2013 Khalil ..... D21/662  
8,771,153 B2 \* 7/2014 Dalebout ..... A63B 21/0726  
482/106  
D754,265 S \* 4/2016 White ..... D21/682  
2010/0022365 A1 \* 1/2010 Ngu ..... A63B 21/075  
482/108  
2014/0141949 A1 \* 5/2014 Mills ..... A63B 23/1236  
482/140

\* cited by examiner

*Primary Examiner* — Robert M Spear  
*Assistant Examiner* — Ryan Harvey  
(74) *Attorney, Agent, or Firm* — Blakely, Sokoloff, Taylor & Zafman LLP

(57) **CLAIM**

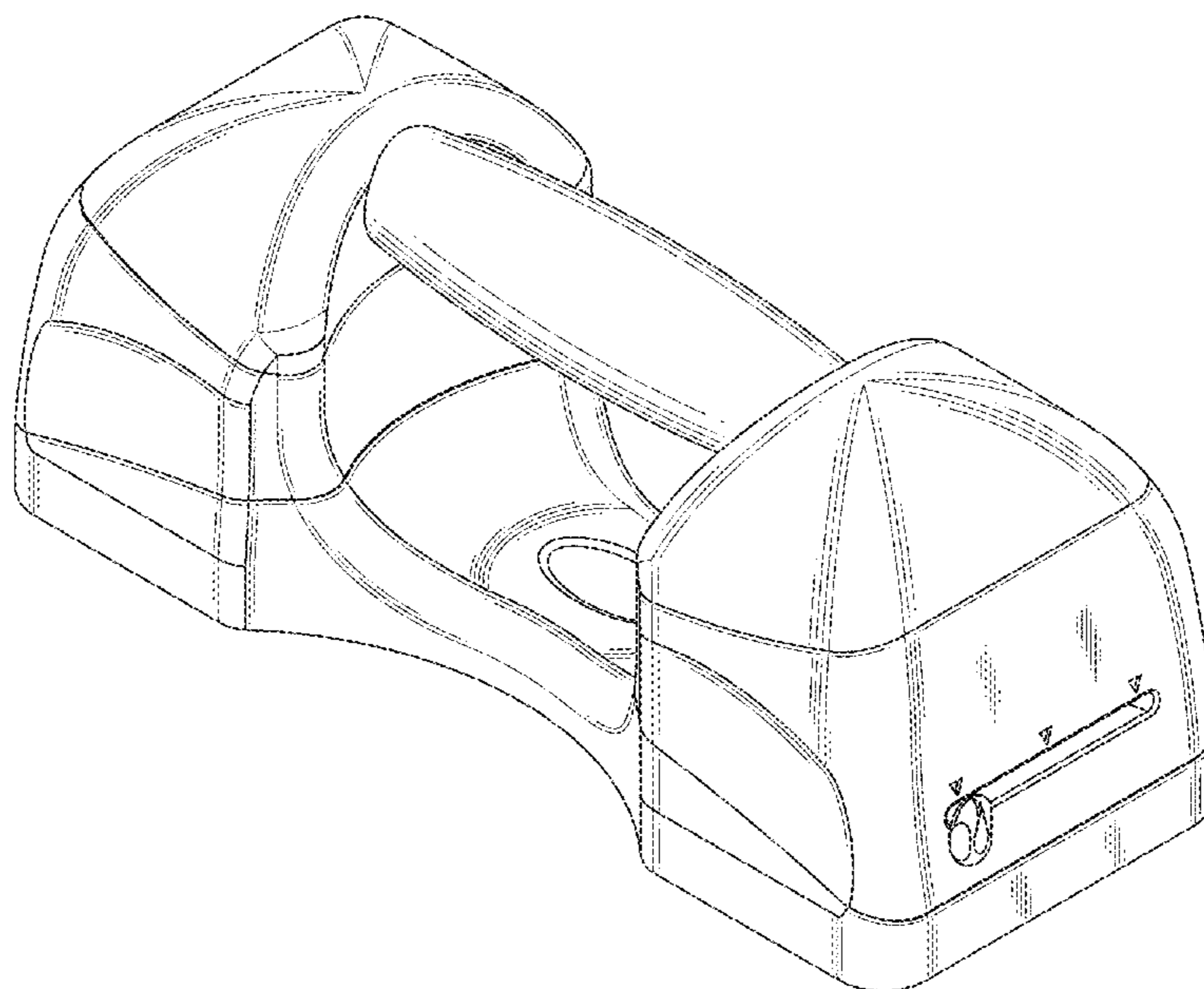
The ornamental design for a dumbbell, as shown and described.

**DESCRIPTION**

FIG. 1 is a perspective view showing one embodiment of the new design for a dumbbell;  
FIG. 2 is a front view according to one embodiment of the new design;  
FIG. 3 is a rear view according to one embodiment of the new design;  
FIG. 4 is a right side view according to one embodiment of the new design;  
FIG. 5 is a left side view according to one embodiment of the new design;  
FIG. 6 is a top view according to one embodiment of the new design; and,  
FIG. 7 is a bottom view according to one embodiment of the new design.

**1 Claim, 6 Drawing Sheets**

(56) **References Cited**  
U.S. PATENT DOCUMENTS  
D200,053 S \* 1/1965 Edwards ..... D21/681  
D321,230 S \* 10/1991 Leonesio ..... D21/682  
D343,880 S \* 2/1994 Shelton ..... D21/678



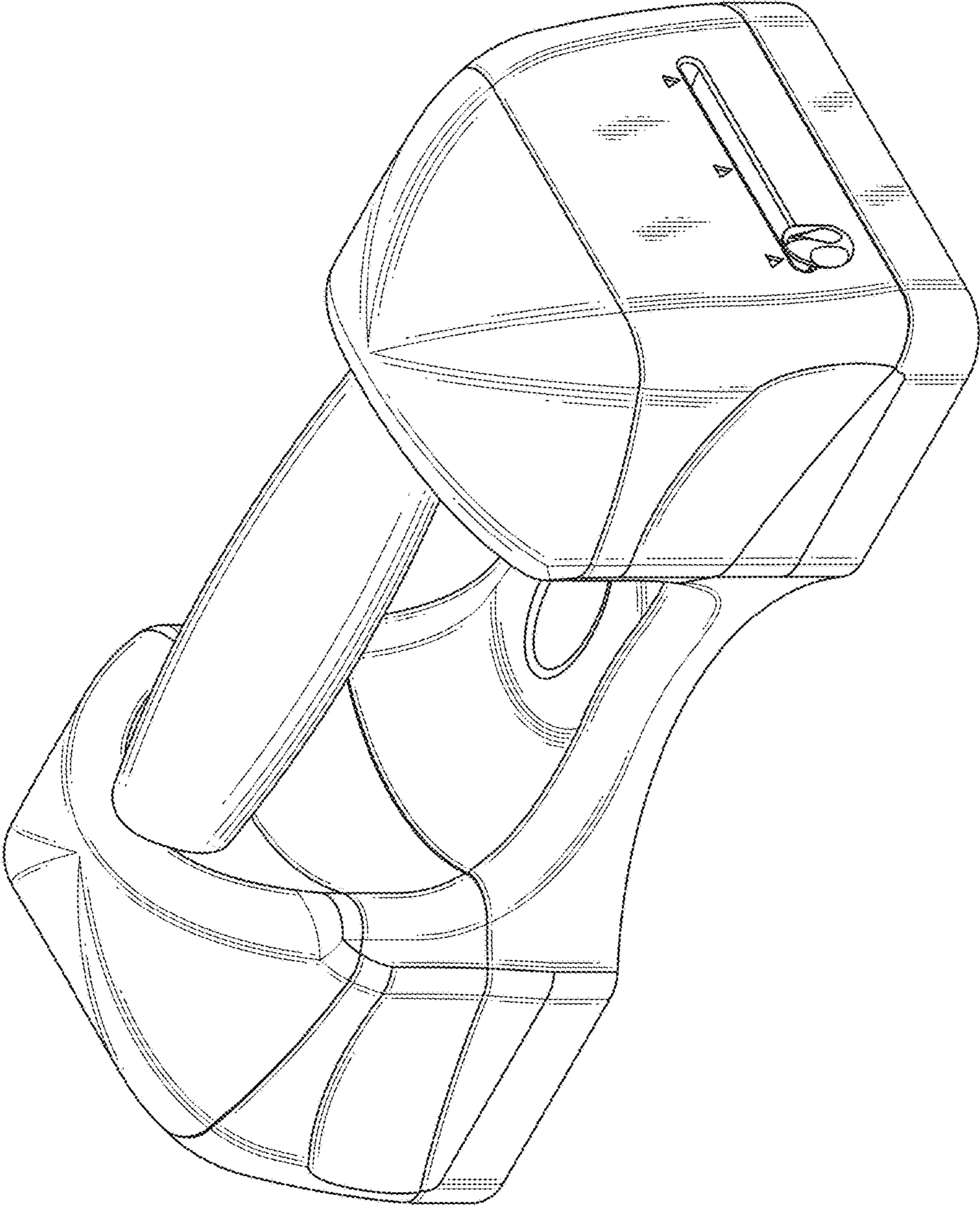


FIG. 1

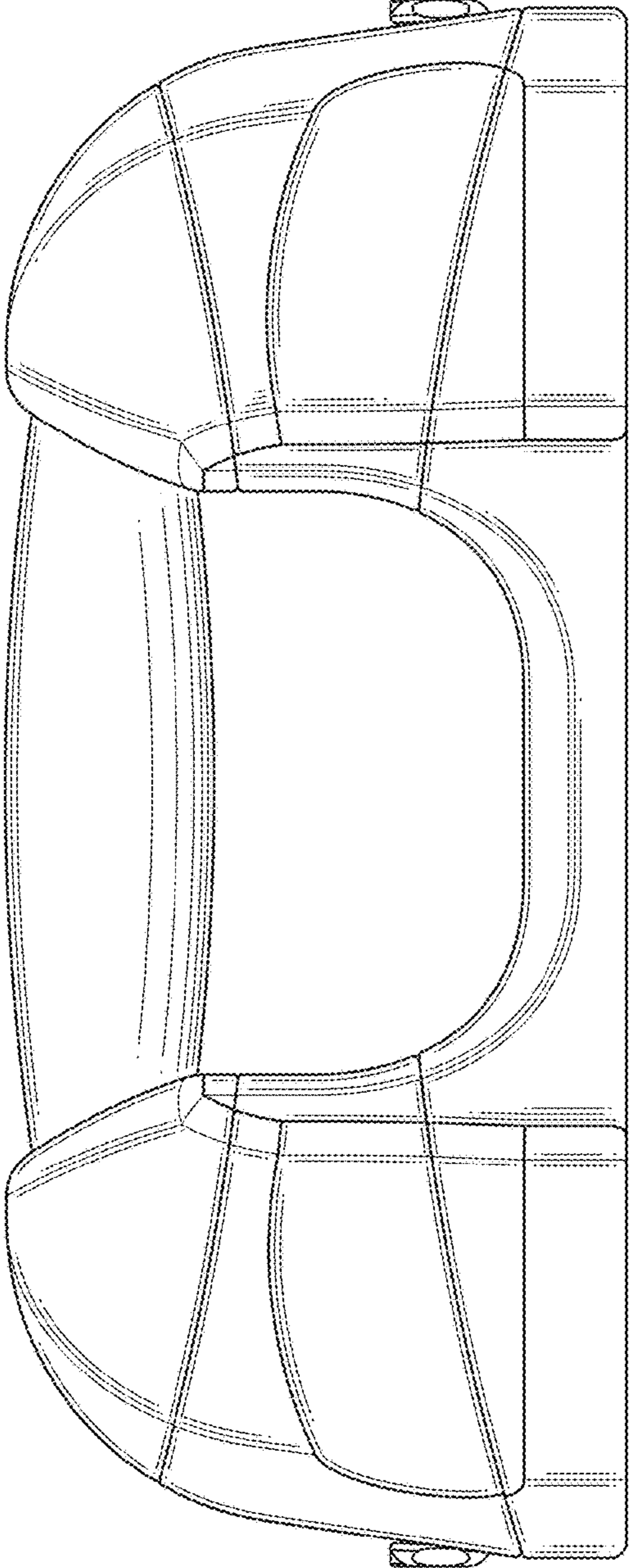


FIG. 2

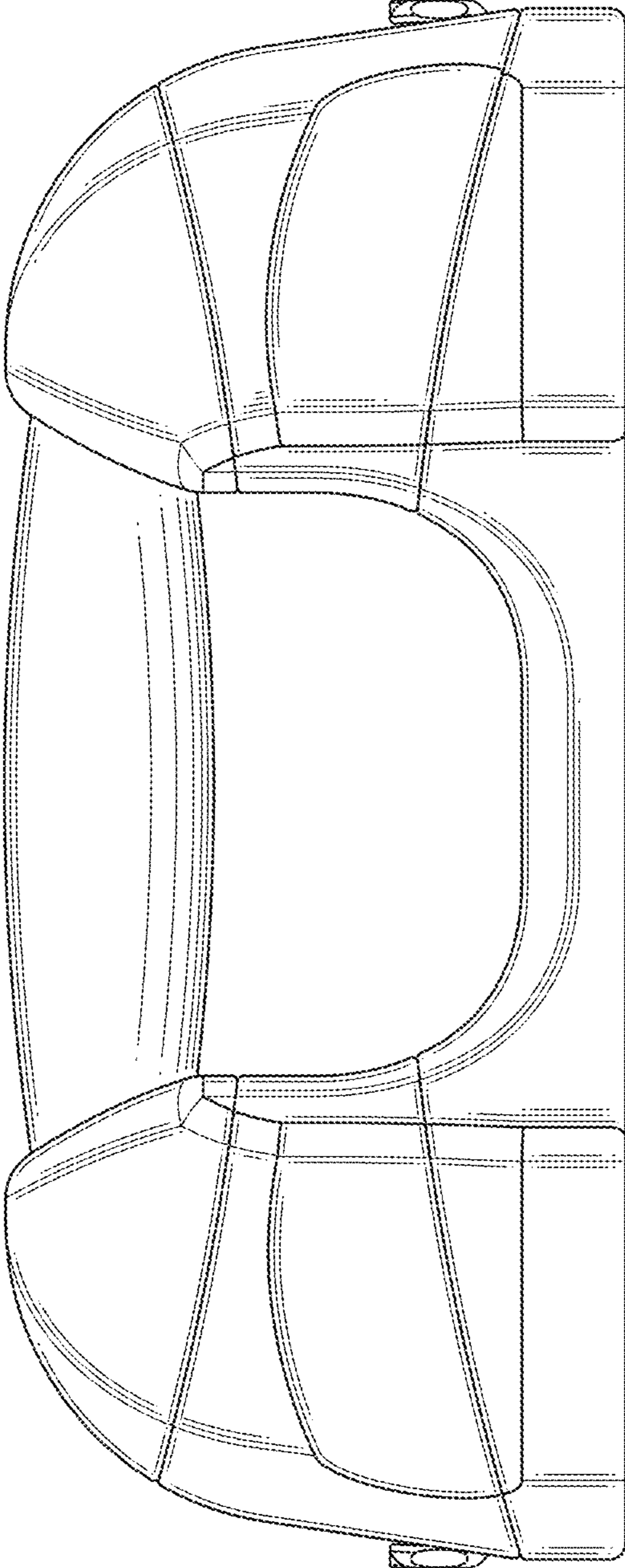


FIG. 3

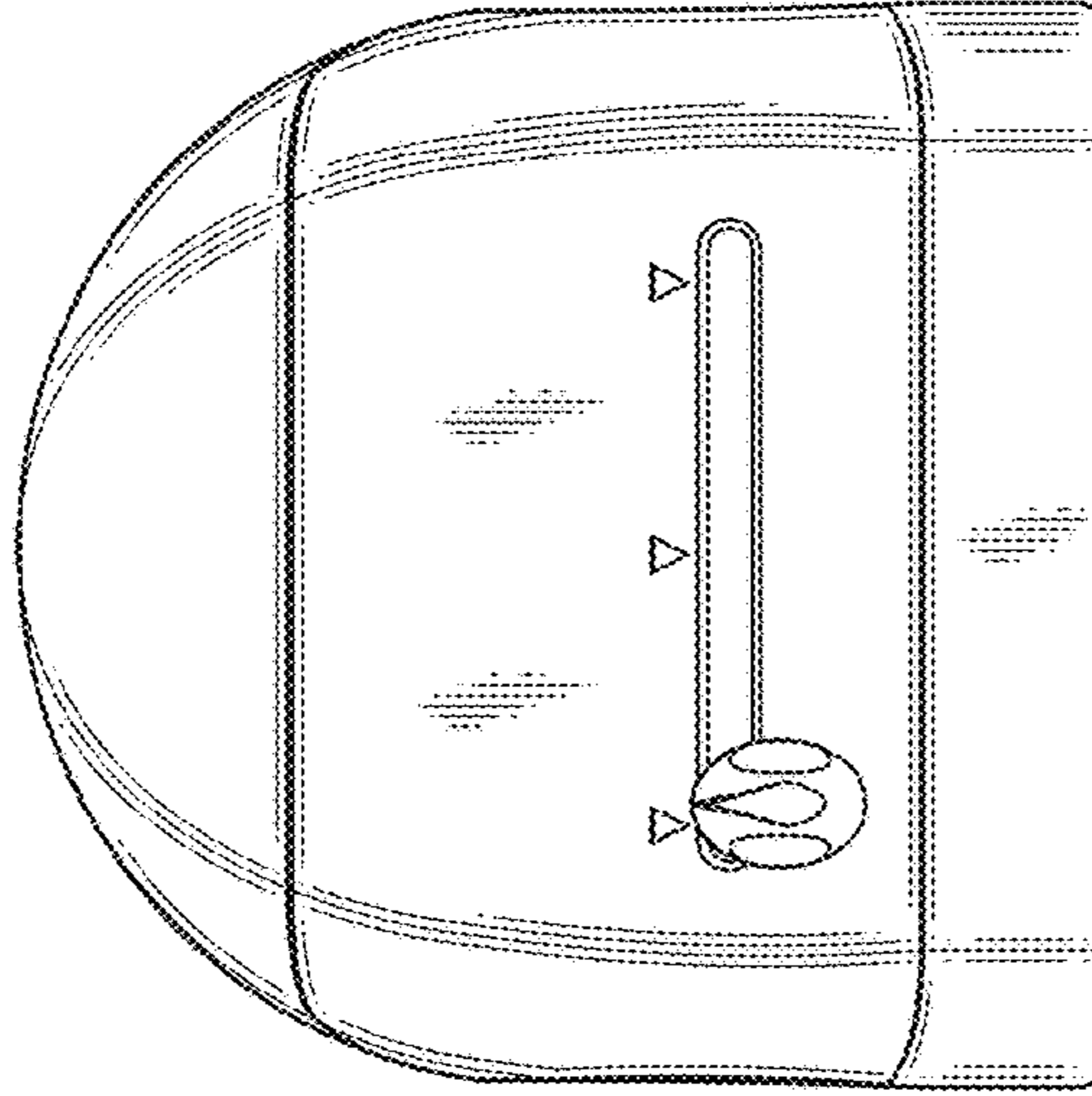


FIG. 4

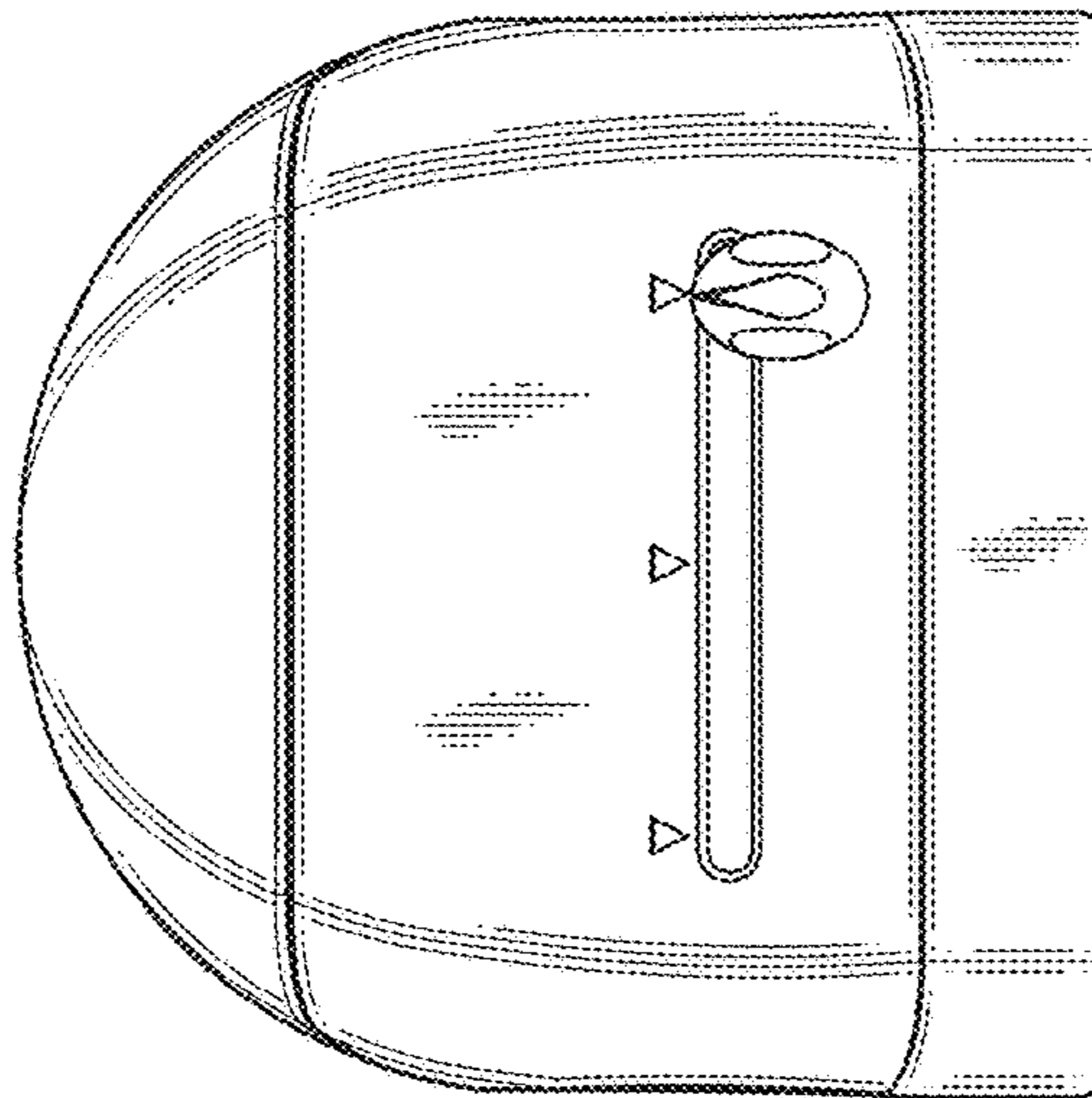


FIG. 5

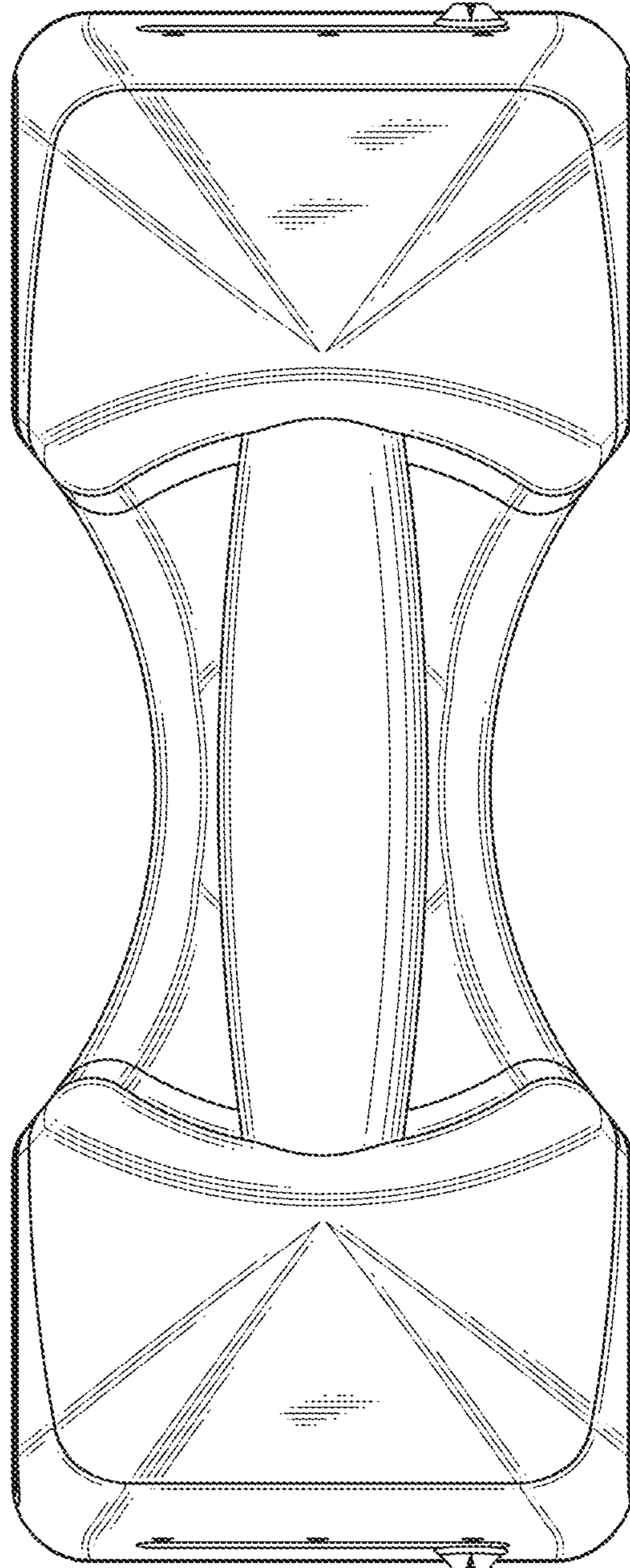


FIG. 6

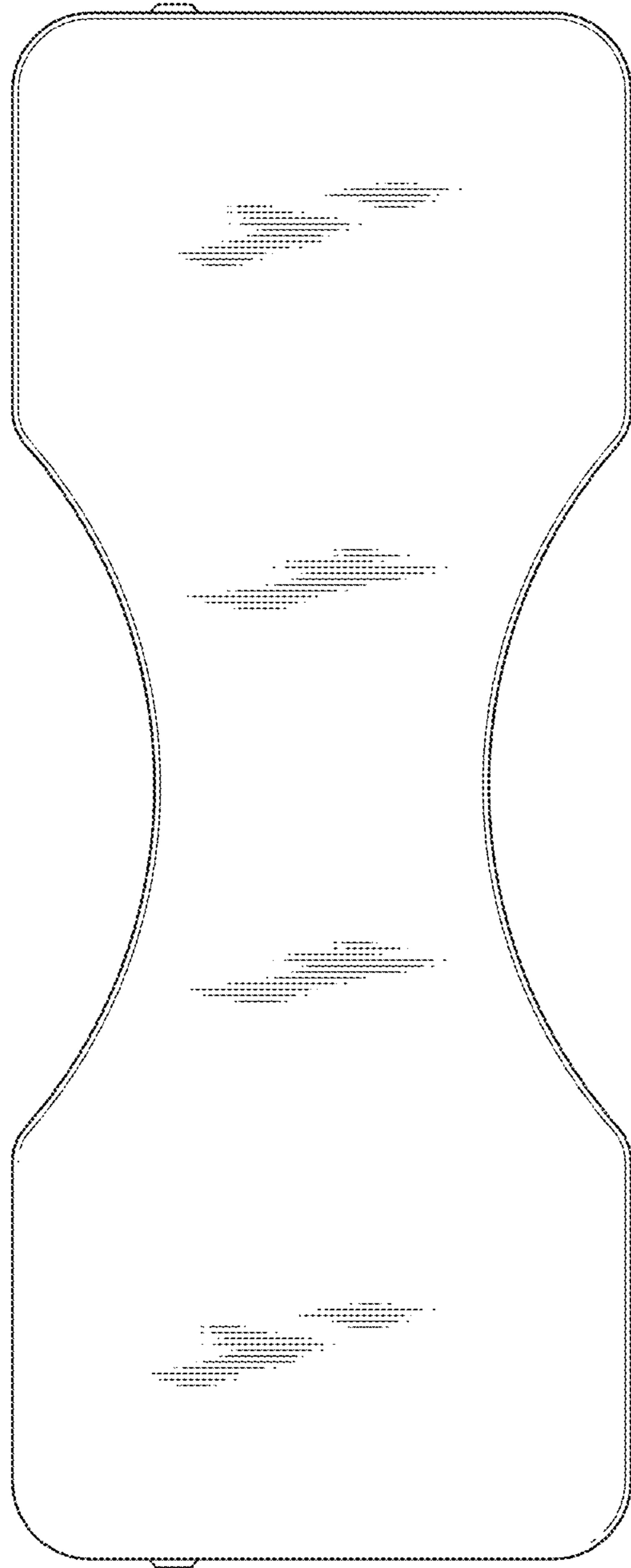


FIG. 7