



US00D799608S

(12) **United States Design Patent** (10) **Patent No.:** **US D799,608 S**  
**Pouliot et al.** (45) **Date of Patent:** **\*\* Oct. 10, 2017**

- (54) **CONSTRUCTION SET ELEMENT**
- (71) Applicant: **Mattel-MEGA Holdings (US), LLC**,  
El Segundo (CA)
- (72) Inventors: **Maxime Pouliot**, Pierrefonds (CA);  
**Maxence Bilodeau**, Montreal (CA)
- (73) Assignee: **Mattel-MEGA Holdings (US), LLC**,  
El Segundo, CA (US)
- (\*\*) Term: **15 Years**
- (21) Appl. No.: **29/575,609**
- (22) Filed: **Aug. 26, 2016**
- (51) **LOC (10) Cl.** ..... **21-01**
- (52) **U.S. Cl.**  
USPC ..... **D21/497; D21/503**
- (58) **Field of Classification Search**  
USPC ..... D21/386, 389, 404, 468, 470, 471,  
D21/484–505; 446/69, 85, 102–128;  
434/208, 259, 403; 273/153, 156, 160  
CPC ..... A63H 33/00; A63H 33/04; A63H 33/06;  
A63H 33/08; A63H 33/084; A63H  
33/086; A63H 33/088; A63H 33/10;  
A63H 33/105; A63H 33/108; A63H 33/52  
See application file for complete search history.

(56) **References Cited**

**U.S. PATENT DOCUMENTS**

D277,686 S *	2/1985	Chatani	.....	D21/501
D311,938 S	11/1990	Andersen		
D312,099 S	11/1990	Andersen		
D315,754 S *	3/1991	Eggert	.....	D21/492
6,050,873 A	4/2000	Reisman		
D456,048 S	4/2002	Sorensen		
D464,381 S	10/2002	Sorensen		
D464,683 S	10/2002	Sorensen		
D472,942 S	4/2003	Sorensen		

D512,748 S	12/2005	Hageman		
D588,210 S *	3/2009	Croston	.....	D21/503
D588,211 S *	3/2009	Croston	.....	D21/503
D594,512 S *	6/2009	Richards	.....	D21/484
D697,146 S *	1/2014	Richards	.....	D21/484

**OTHER PUBLICATIONS**

“Brick 2 × 2 Corner Round,” Lego Part 3063, first produced 1956 according to: <URL: <http://www.peeron.com/inv/parts/3063>>, 5 pages.

(Continued)

*Primary Examiner* — Cynthia M Chin

(74) *Attorney, Agent, or Firm* — Plumsea Law Group, LLC

(57) **CLAIM**

The ornamental design for a construction set element, as shown and described.

**DESCRIPTION**

FIG. 1 is a top isometric perspective view of a construction set element showing the new design;

FIG. 2 is a front elevational view of the construction set element of FIG. 1;

FIG. 3 is a rear elevational view of the construction set element of FIG. 1;

FIG. 4 is a left side elevational view of the construction set element of FIG. 1;

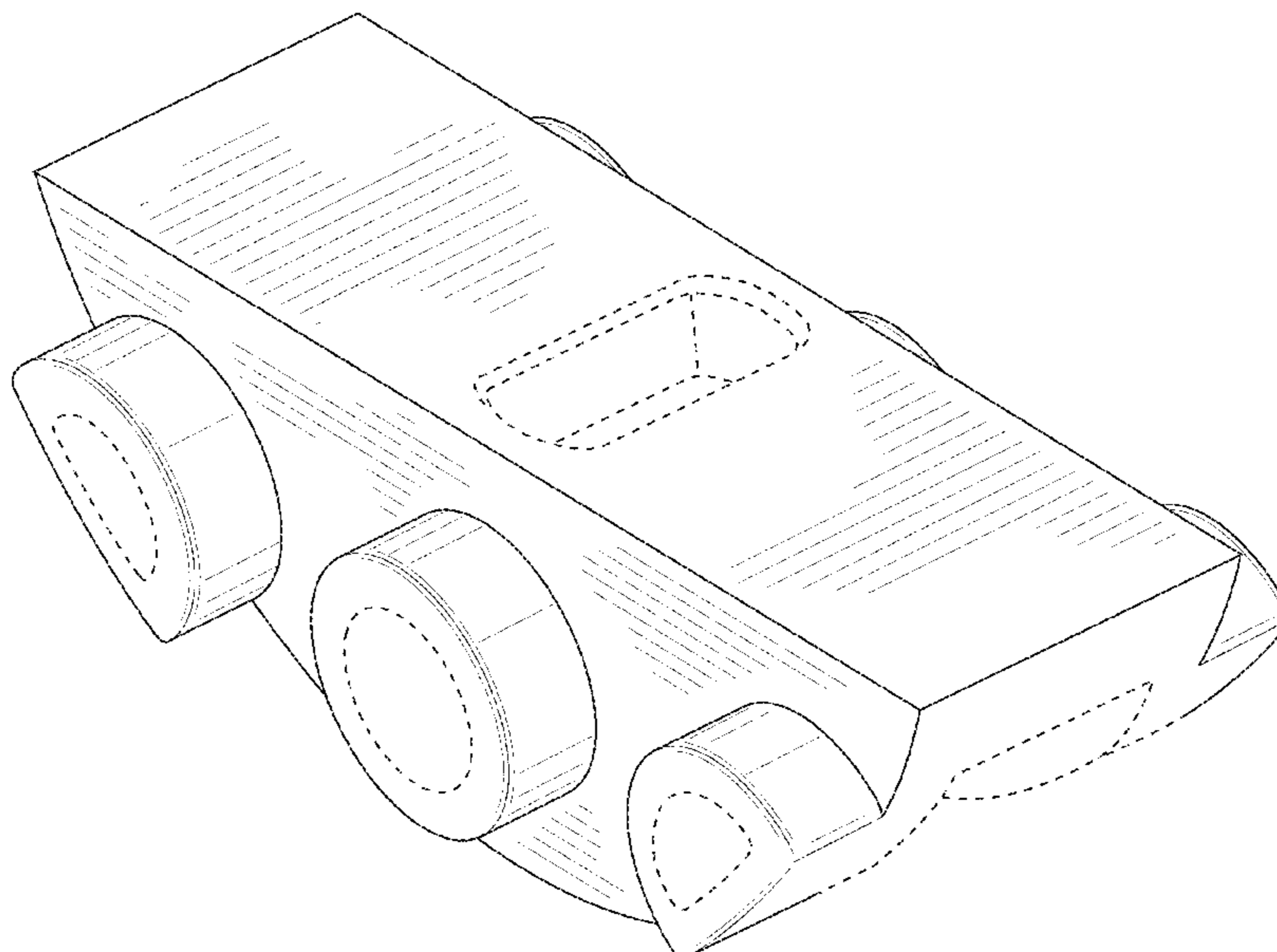
FIG. 5 is a right side elevational view of the construction set element of FIG. 1;

FIG. 6 is a top plan view of the construction set element of FIG. 1; and,

FIG. 7 is a bottom plan view of the construction set element of FIG. 1.

The broken lines and unshaded surfaces are included to identify parts of the article’s appearance that form no part of the claimed design.

**1 Claim, 7 Drawing Sheets**



(56)

**References Cited**

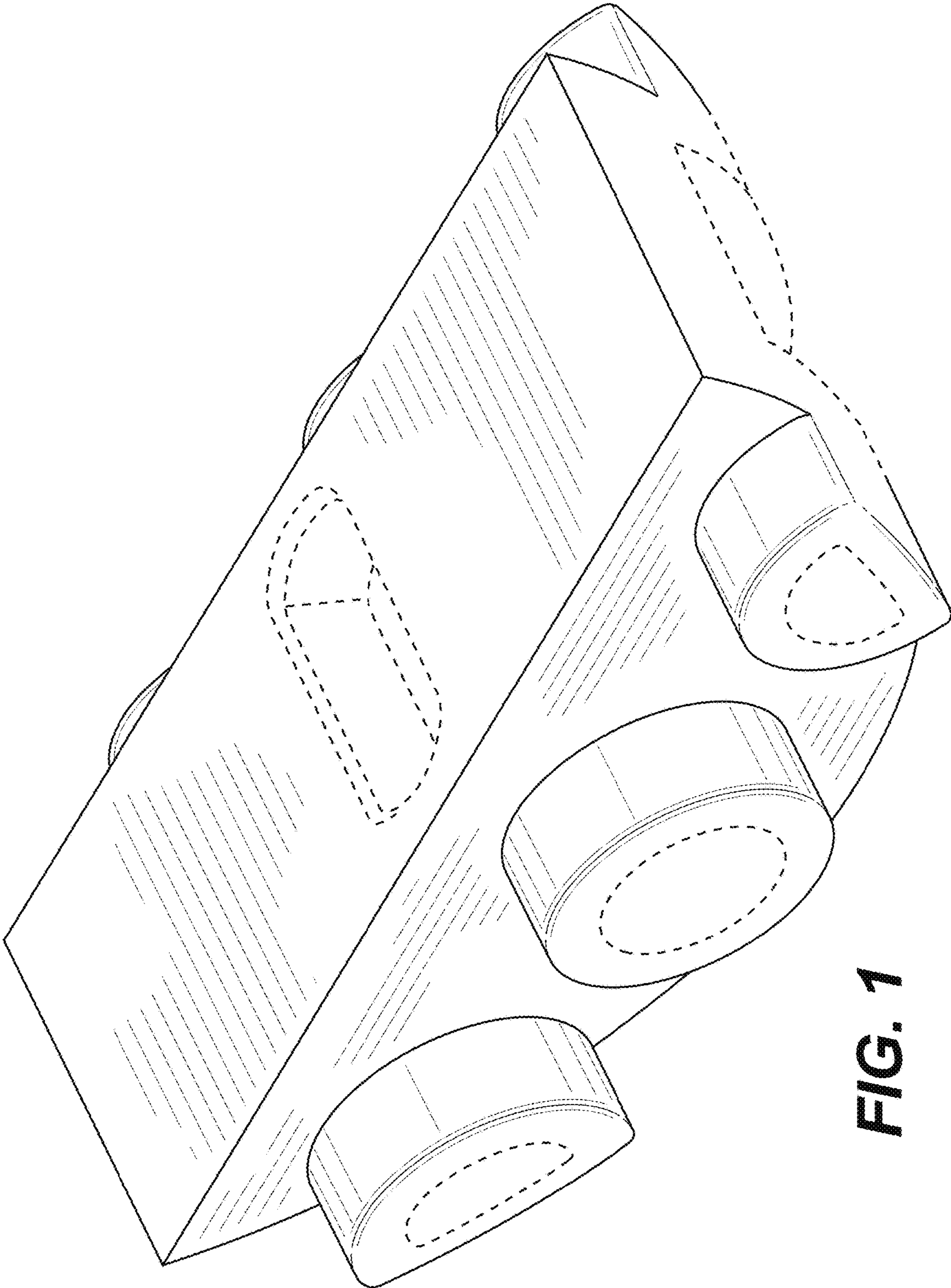
OTHER PUBLICATIONS

“Duplo Tile 2 × 4 × 1/3 Half Round with Two Studs,” Lego Part 3808, first produced 1986 according to: <URL: <http://www.peeron.com/inv/parts/3808>>, 2 pages.

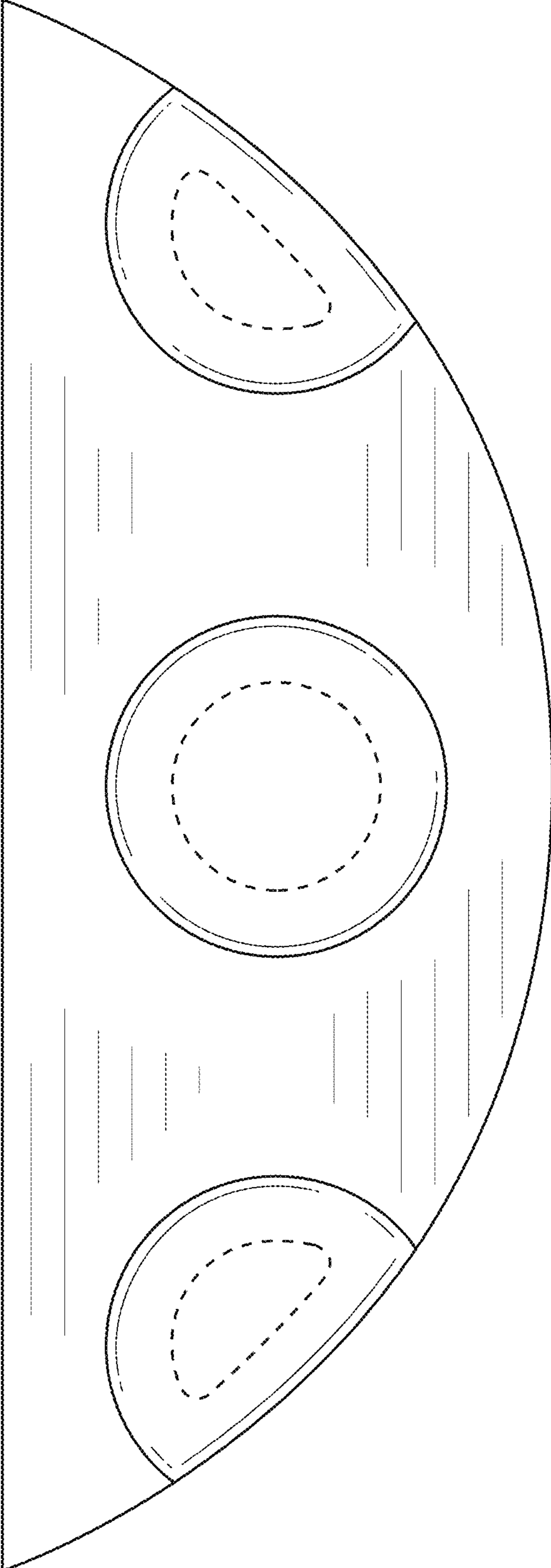
“Brick 4 × 8 Round Half Circle,” Lego Part 47974, first produced 2004 according to: <URL: <http://www.peeron.com/inv/parts/47974>>, 2 pages.

“Brick 4 × 4 Round Corner,” Lego Part 48092, first produced 2004 according to: <URL: <http://www.peeron.com/inv/parts/48092>>, 2 pages.

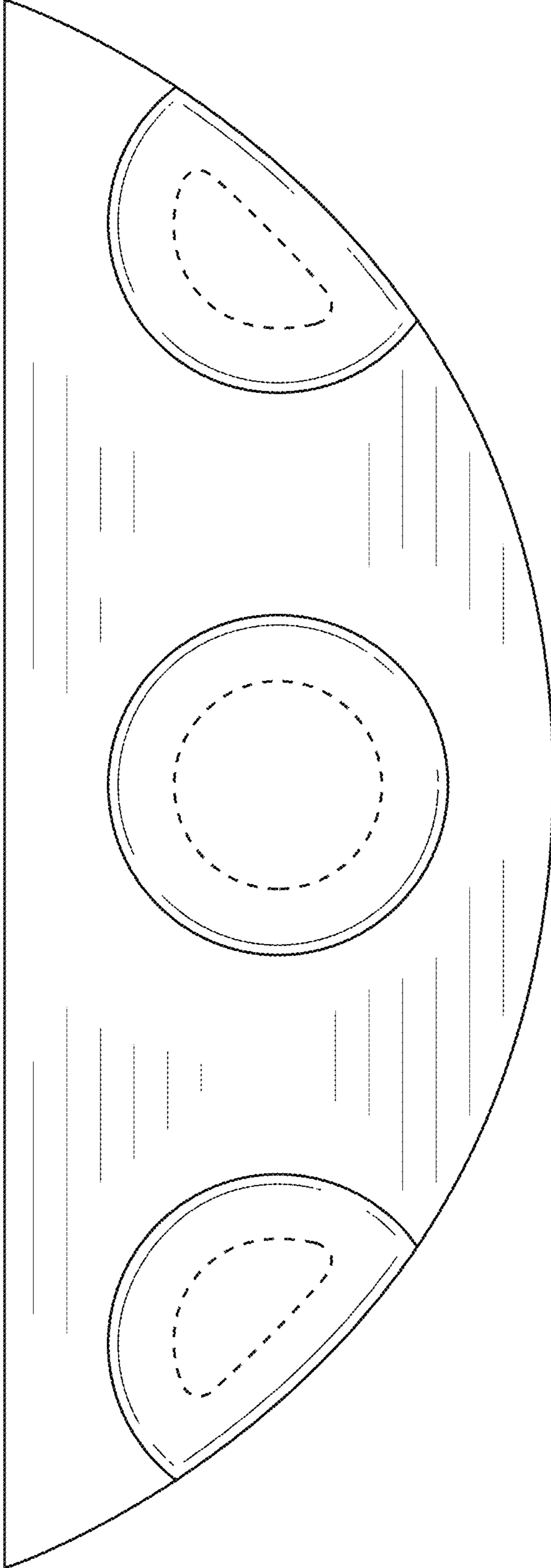
\* cited by examiner



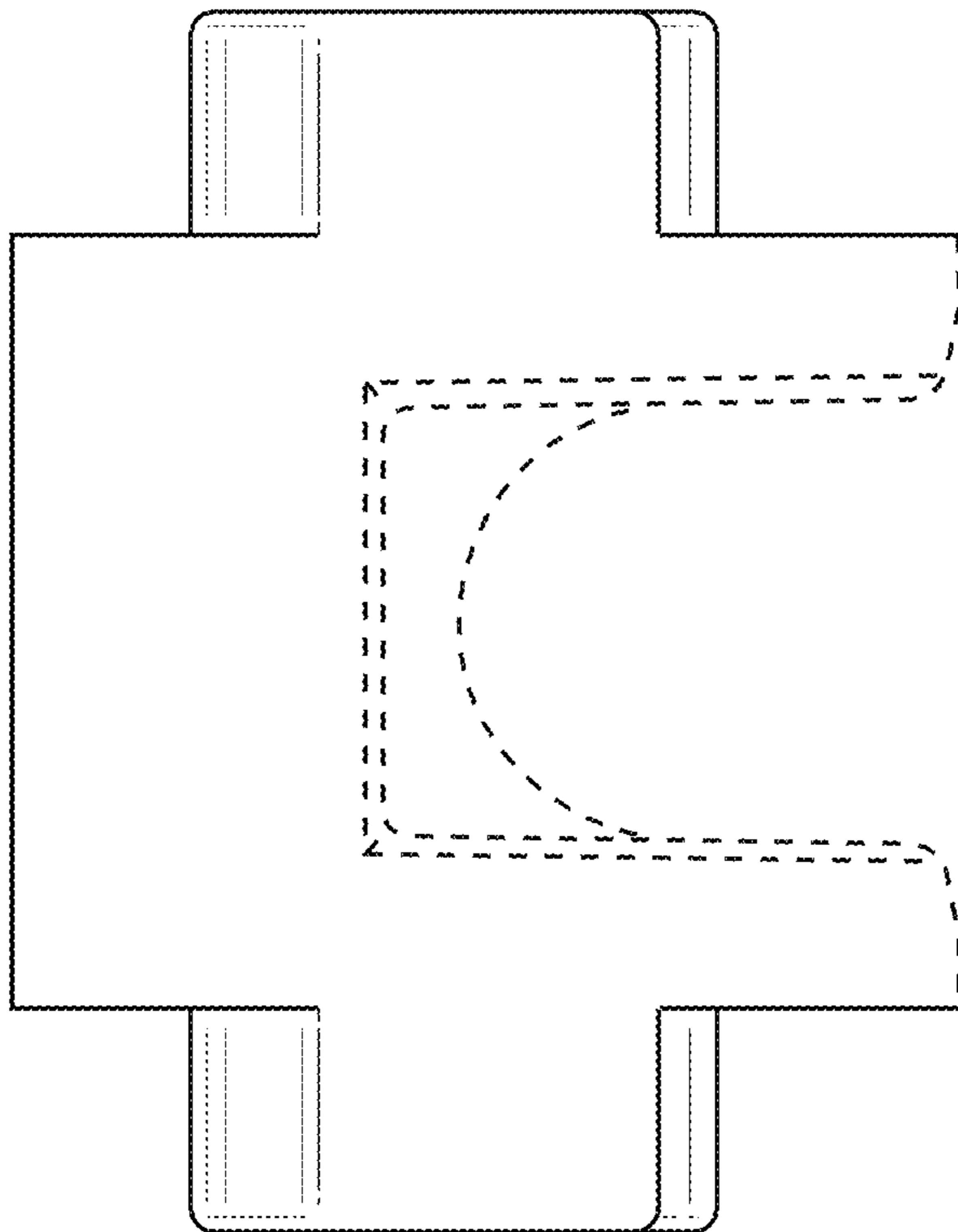
**FIG. 1**



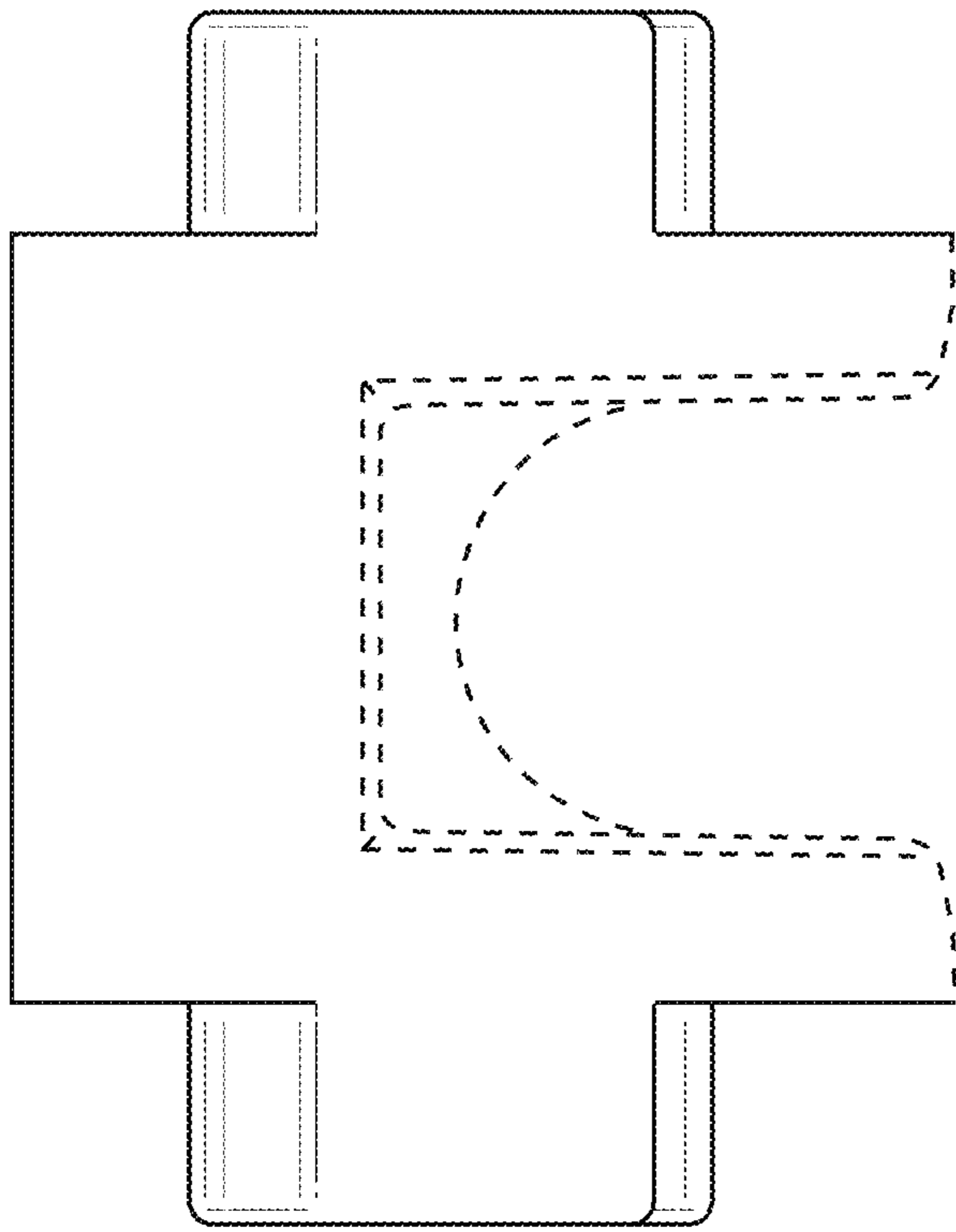
**FIG. 2**



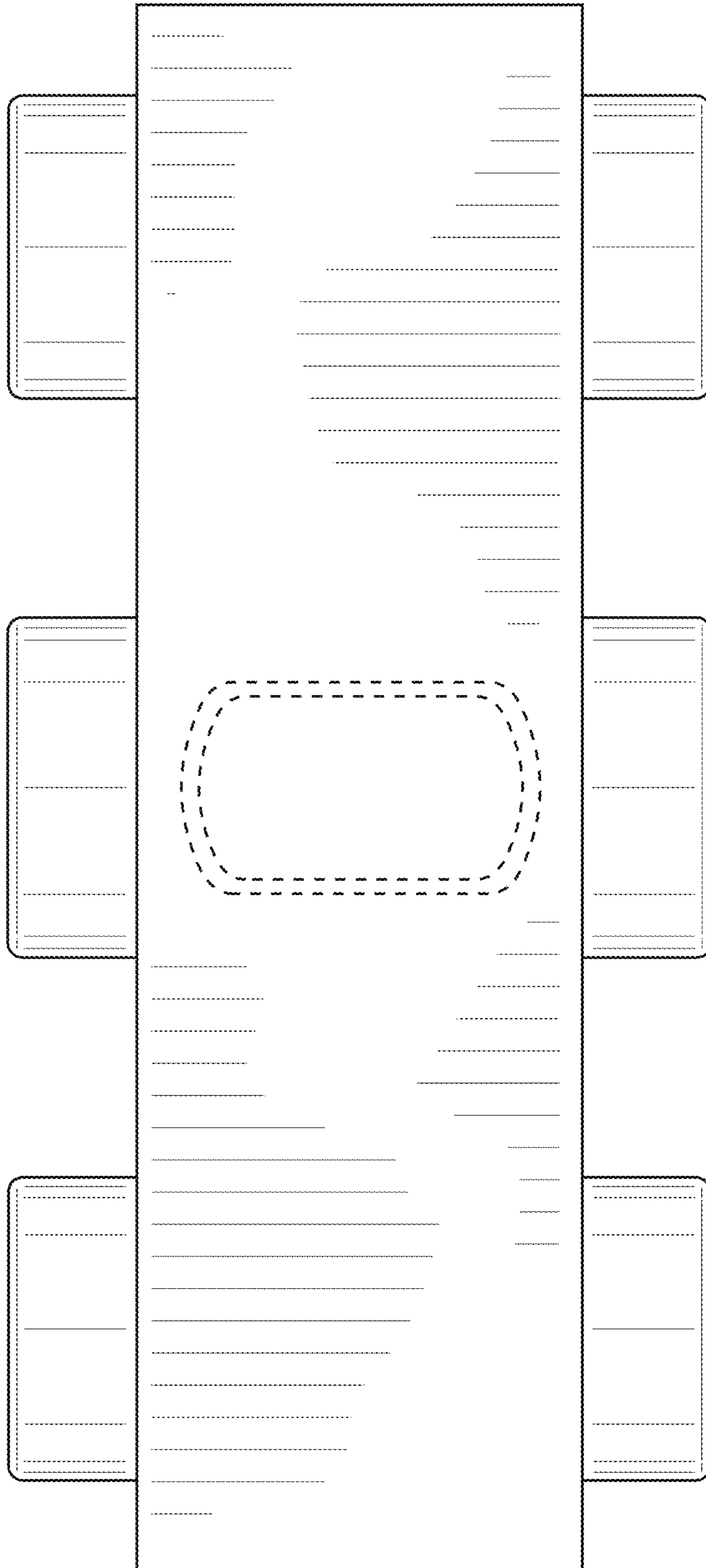
**FIG. 3**



**FIG. 4**

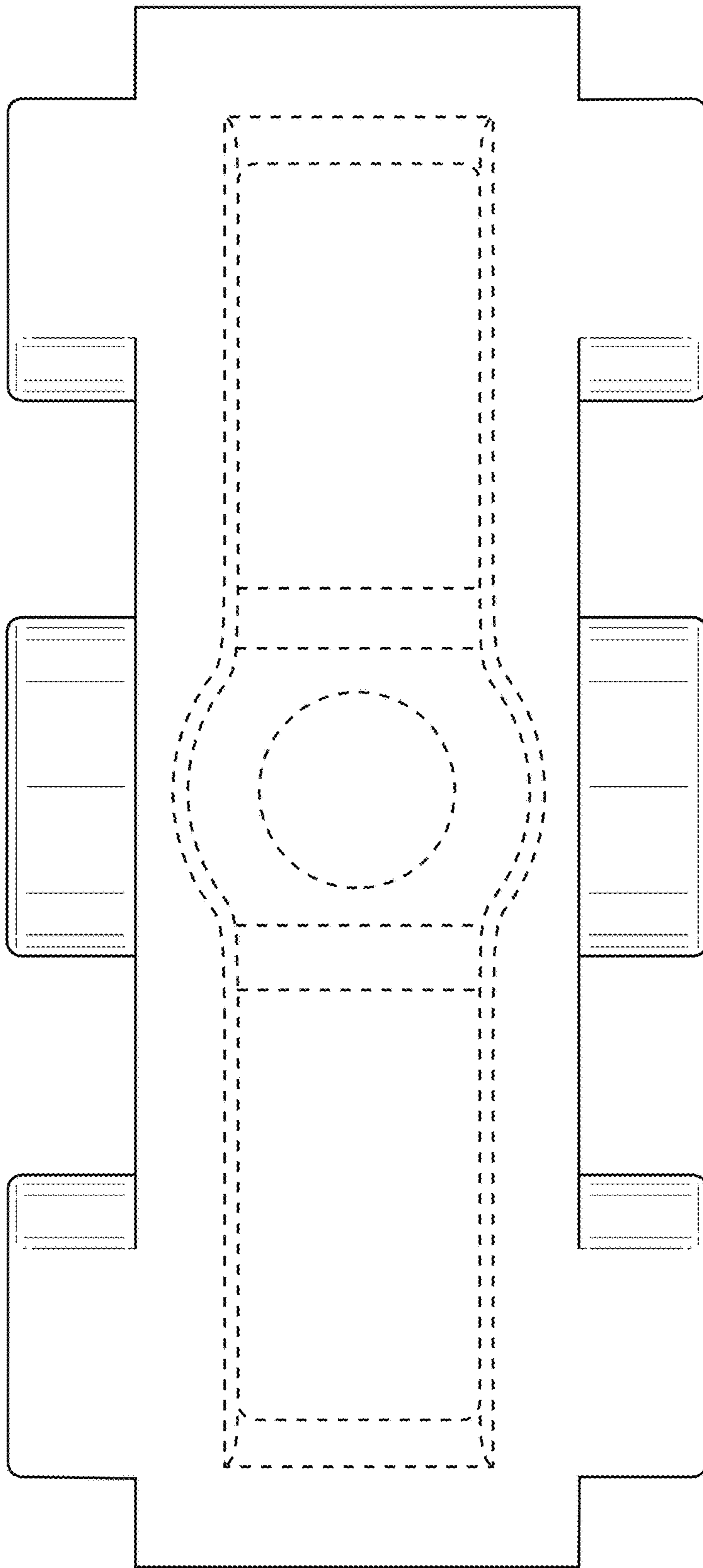


**FIG. 5**



**FIG. 6**





**FIG. 7**