



US00D799603S

(12) **United States Design Patent**
Wang

(10) **Patent No.:** **US D799,603 S**

(45) **Date of Patent:** **** Oct. 10, 2017**

(54) **TOY MAGNETIC TILE FOR BUILDING GAME**

(71) Applicant: **Howard Wang**, Hacienda Heights, CA (US)

(72) Inventor: **Howard Wang**, Hacienda Heights, CA (US)

(**) Term: **15 Years**

(21) Appl. No.: **29/588,020**

(22) Filed: **Dec. 16, 2016**

(51) **LOC (10) Cl.** **21-01**

(52) **U.S. Cl.**
USPC **D21/386**

(58) **Field of Classification Search**
USPC D21/300, 334, 335, 363, 365, 385, 386,
D21/388, 389, 392, 396, 397, 483, 576,
D21/621, 627; D2/502, 503, 504, 508;
D25/113-115, 118

CPC A63F 2001/001; A63F 2001/003; A63F
2001/005; A63F 2001/006; A63F 1/062;
A63F 1/067; A63F 1/08; A63F 1/10;
A63F 1/12; A63F 1/14; A63F 7/0017;
A63F 7/0023; A63F 9/20

See application file for complete search history.

(56) **References Cited**

U.S. PATENT DOCUMENTS

D263,403 S * 3/1982 Chen D21/386
D263,483 S * 3/1982 Chen 273/294
D319,108 S * 8/1991 van Weerden D25/118
D319,316 S * 8/1991 van Weerden D25/118

D324,080 S * 2/1992 Galenza D21/363
D367,079 S * 2/1996 Garrow D21/300
D480,182 S * 9/2003 McAnally D11/96
D490,578 S * 5/2004 McAnally 273/157 R
D536,390 S * 2/2007 Van Ness D21/386
D536,391 S * 2/2007 Van Ness D21/386
D599,414 S * 9/2009 Krise D21/397
D693,482 S * 11/2013 Merriam D25/113
D716,879 S * 11/2014 Norman D21/486
D773,562 S * 12/2016 Kiribuchi D21/363
D773,563 S * 12/2016 Kiribuchi D21/363
D773,564 S * 12/2016 Kiribuchi D21/363
D784,938 S * 4/2017 Wang D13/183
D789,312 S * 6/2017 Wang D13/183
D792,608 S * 7/2017 Penterman D25/113

* cited by examiner

Primary Examiner — George D Kirschbaum

Assistant Examiner — Joseph Kukella

(74) *Attorney, Agent, or Firm* — Tsz Lung Yeung

(57) **CLAIM**

The ornamental design for a toy magnetic tile for building game, as shown and described.

DESCRIPTION

FIG. 1 is a front view of a toy magnetic tile for building game showing my new design.

FIG. 2 is a rear view thereof.

FIG. 3 is a left end view thereof.

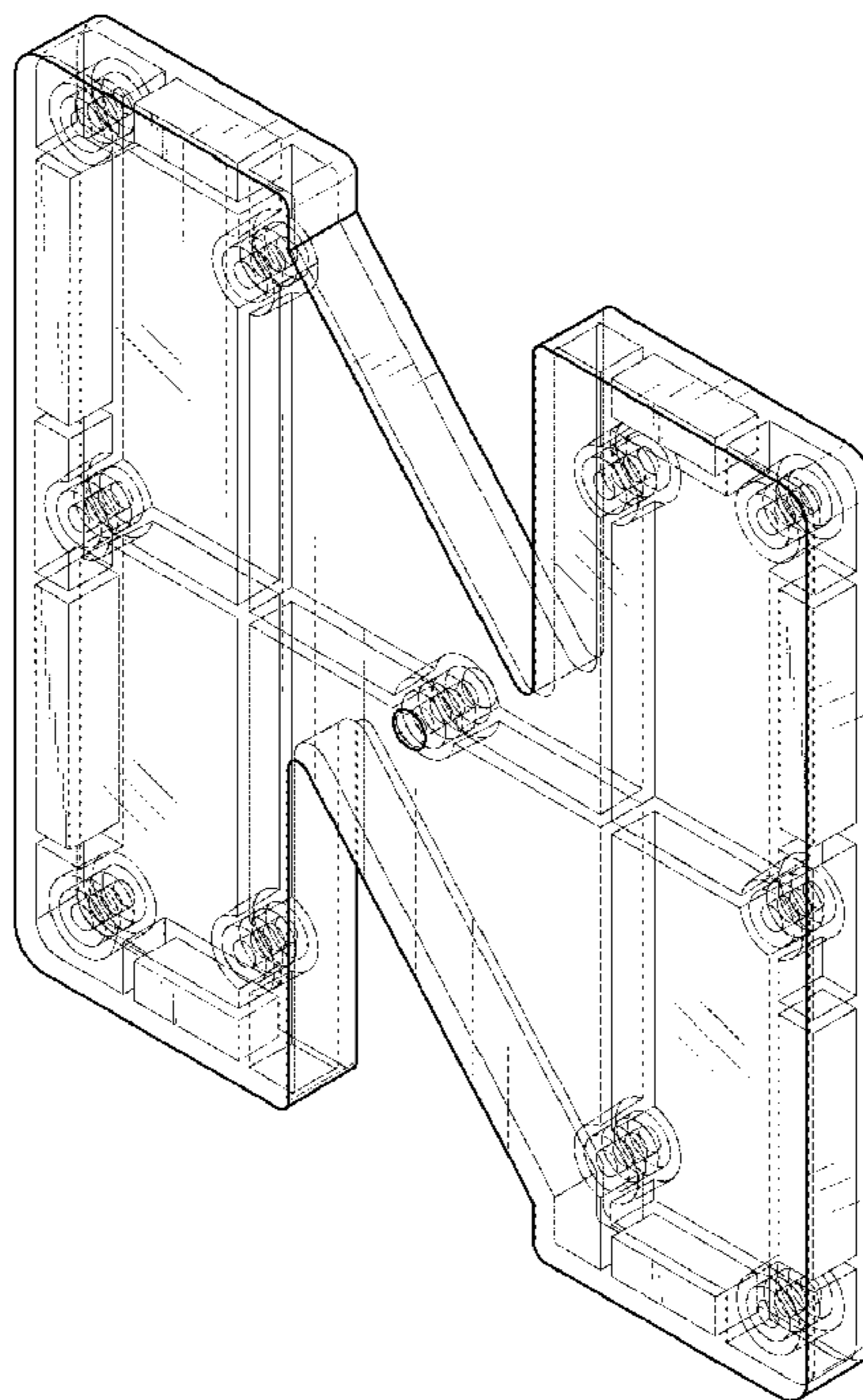
FIG. 4 is a right end view thereof.

FIG. 5 is a top view thereof.

FIG. 6 is a bottom view thereof; and,

FIG. 7 is a perspective view thereof.

1 Claim, 7 Drawing Sheets



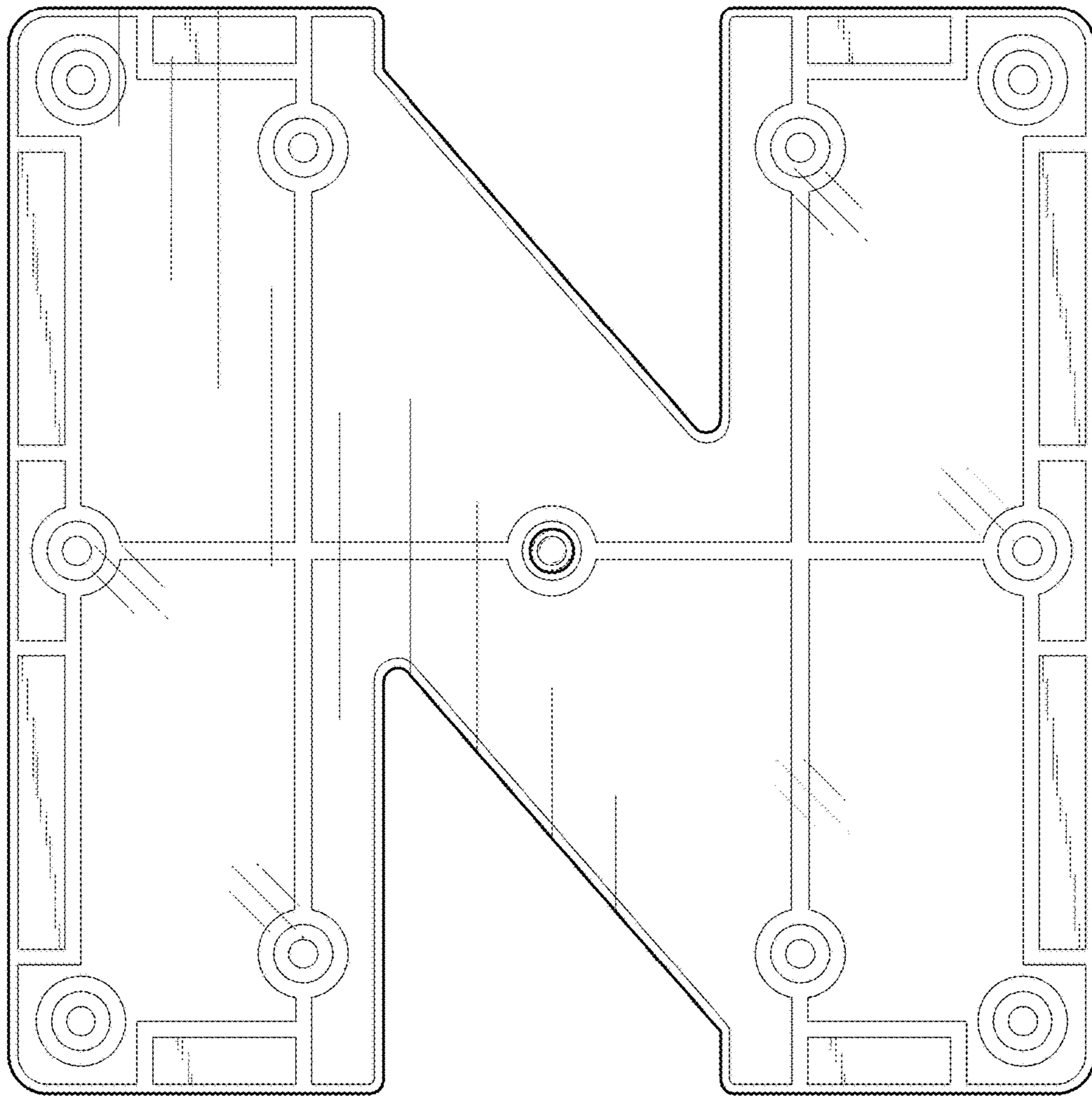


FIG.1

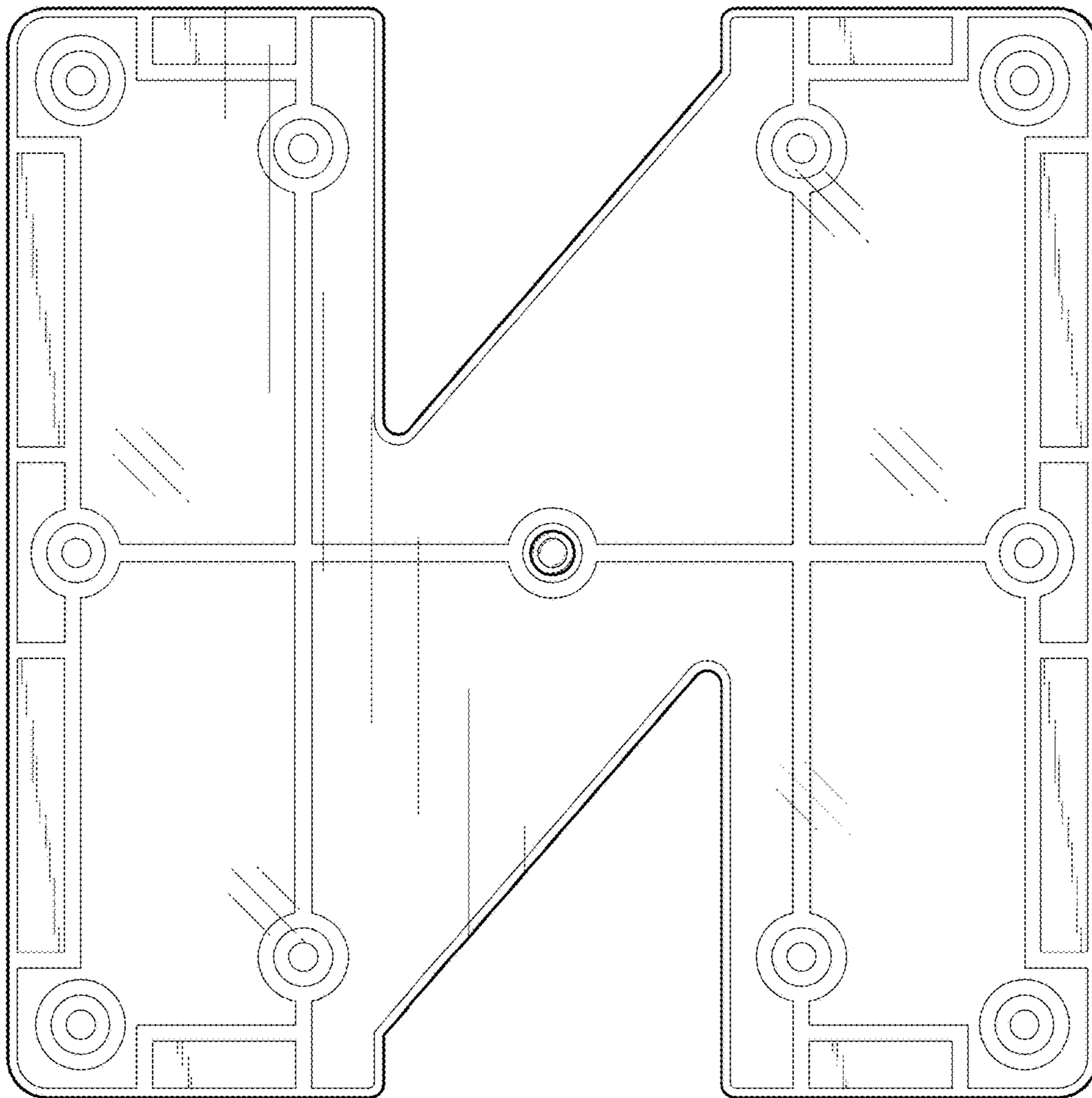


FIG.2

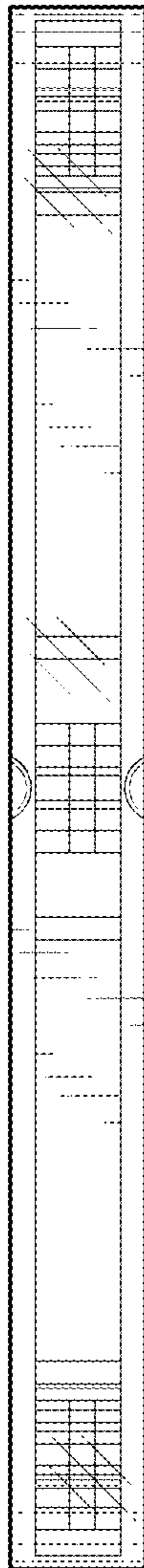


FIG.3

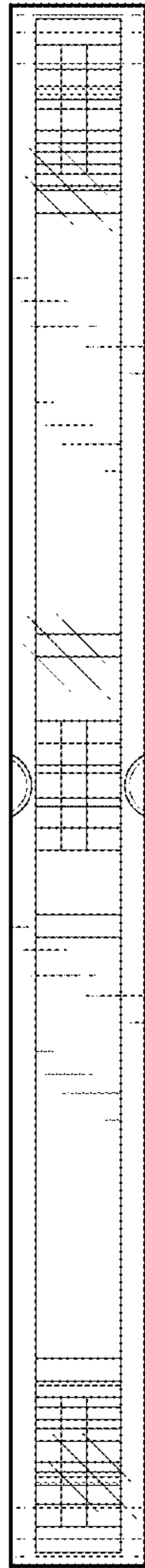


FIG.4

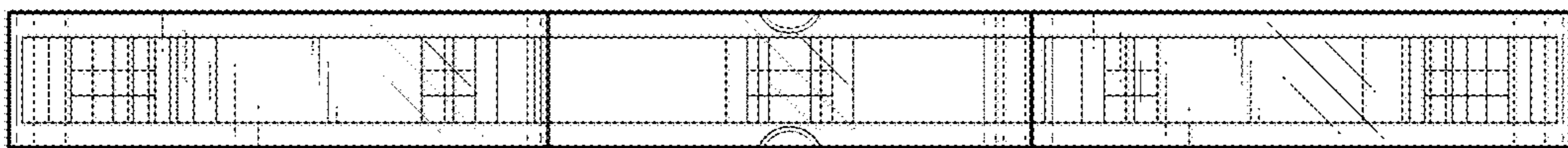


FIG.5

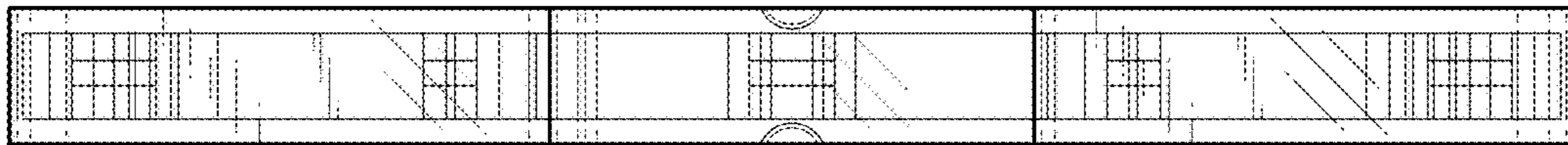


FIG.6

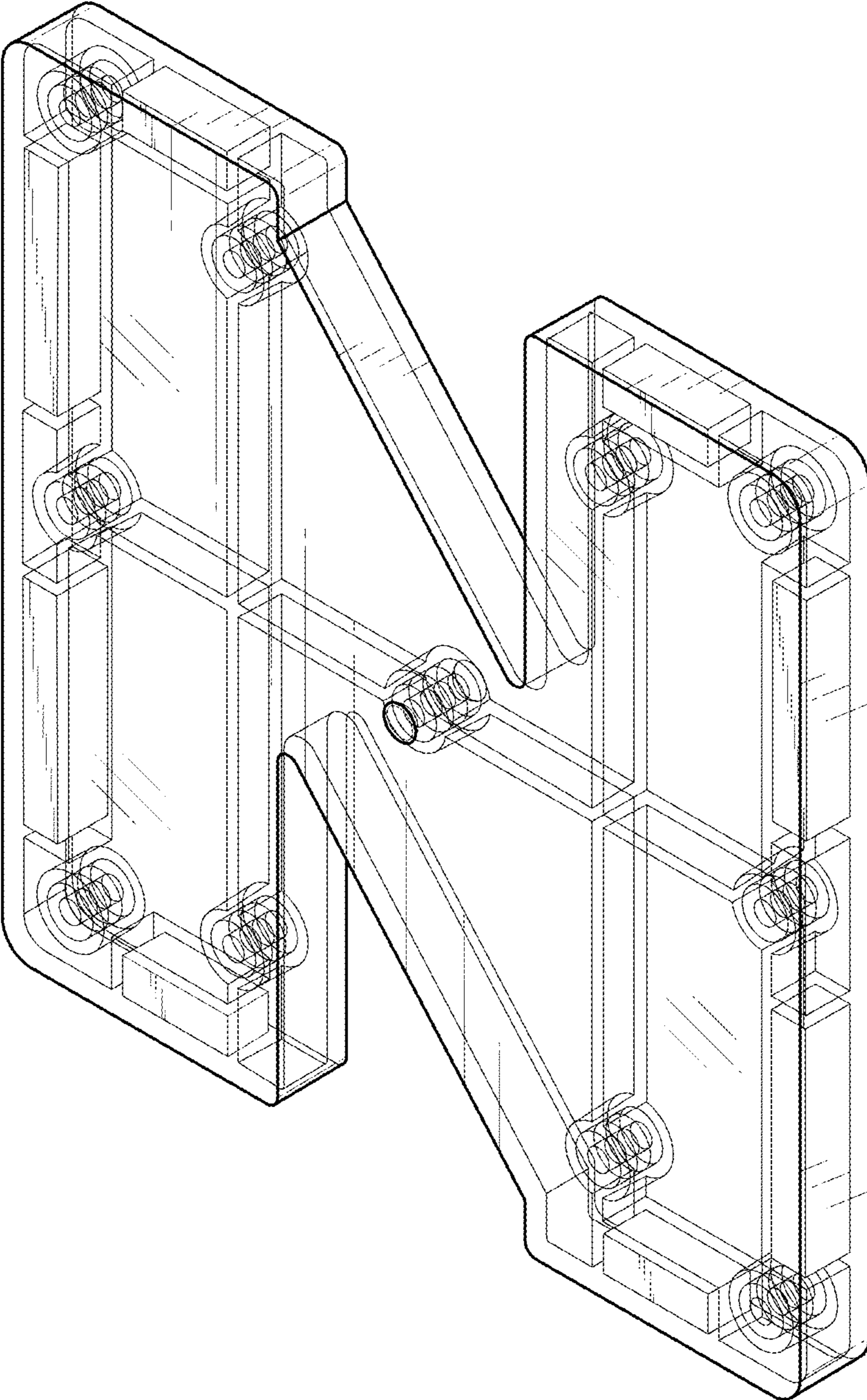


FIG.7