



US00D799596S

(12) **United States Design Patent**  
**Lyon et al.**

(10) **Patent No.:** **US D799,596 S**  
(45) **Date of Patent:** **\*\* Oct. 10, 2017**

- (54) **WRITING INSTRUMENT**
- (71) Applicants: **Kent David Lyon**, Cypress, TX (US);  
**Jym Daniel**, Austin, TX (US)
- (72) Inventors: **Kent David Lyon**, Cypress, TX (US);  
**Jym Daniel**, Austin, TX (US)

2,358,791 A \* 9/1944 Collopy ..... G04F 1/06  
368/93  
D151,307 S \* 10/1948 Weston ..... D19/195  
D154,610 S \* 7/1949 Kuhn ..... D19/170  
2,584,908 A \* 2/1952 Oblinger ..... B41K 1/006  
101/333  
D185,331 S \* 5/1959 Tannenbaum ..... 401/131  
D236,271 S \* 8/1975 Herezog ..... 361/679.56

(\*\*) Term: **15 Years**

(21) Appl. No.: **29/601,301**

(22) Filed: **Apr. 20, 2017**

(Continued)

**FOREIGN PATENT DOCUMENTS**

CN 301625791 S 7/2011  
CN 303169765 S 4/2015

(Continued)

**Related U.S. Application Data**

(63) Continuation-in-part of application No. 15/491,969, filed on Apr. 19, 2017, and a continuation-in-part of application No. 15/491,957, filed on Apr. 19, 2017.

(51) **LOC (10) Cl.** ..... **19-06**

(52) **U.S. Cl.**  
USPC ..... **D19/173**; D19/916; D19/918

(58) **Field of Classification Search**  
USPC ..... D14/411; D15/143; D19/115–204  
CPC ... B43K 5/00; B43K 7/00; B43K 7/12; B43K 8/04; B43K 8/06; B43K 19/00; B43K 19/02; B43K 19/14; B43K 24/08  
See application file for complete search history.

**OTHER PUBLICATIONS**

Inventors Kent David Lyon & Jym Daniel, “meet Think Pens: Fidget for Focus,” <https://www.facebook.com/thinkinkpen/photos/a:1120979161325612.1073741827.1120350414721820/1120979117992283/?type=3&theater>; Sep. 19, 2016.

*Primary Examiner* — Elizabeth Albert

(74) *Attorney, Agent, or Firm* — Karen B. Tripp

(57) **CLAIM**

The ornamental design for a writing instrument, as shown and described.

(56) **References Cited**

**U.S. PATENT DOCUMENTS**

937,252 A \* 10/1909 Lippincott ..... B43K 19/02  
401/96  
1,508,375 A \* 9/1924 Alland ..... B43K 21/20  
401/52  
1,708,915 A \* 4/1929 Deli ..... B43K 23/002  
24/116 A  
D81,529 S \* 7/1930 Davis ..... D19/182  
2,234,942 A \* 3/1941 Nichols ..... B43K 29/003  
359/809  
D132,641 S \* 6/1942 Sanders ..... D19/163  
D136,214 S \* 8/1943 Collopy et al. .... D10/44

**DESCRIPTION**

FIG. 1 is a perspective view of a writing instrument showing our new design;

FIG. 2 is a front elevation view thereof;

FIG. 3 is a rear elevation view thereof;

FIG. 4 is a top plan view thereof;

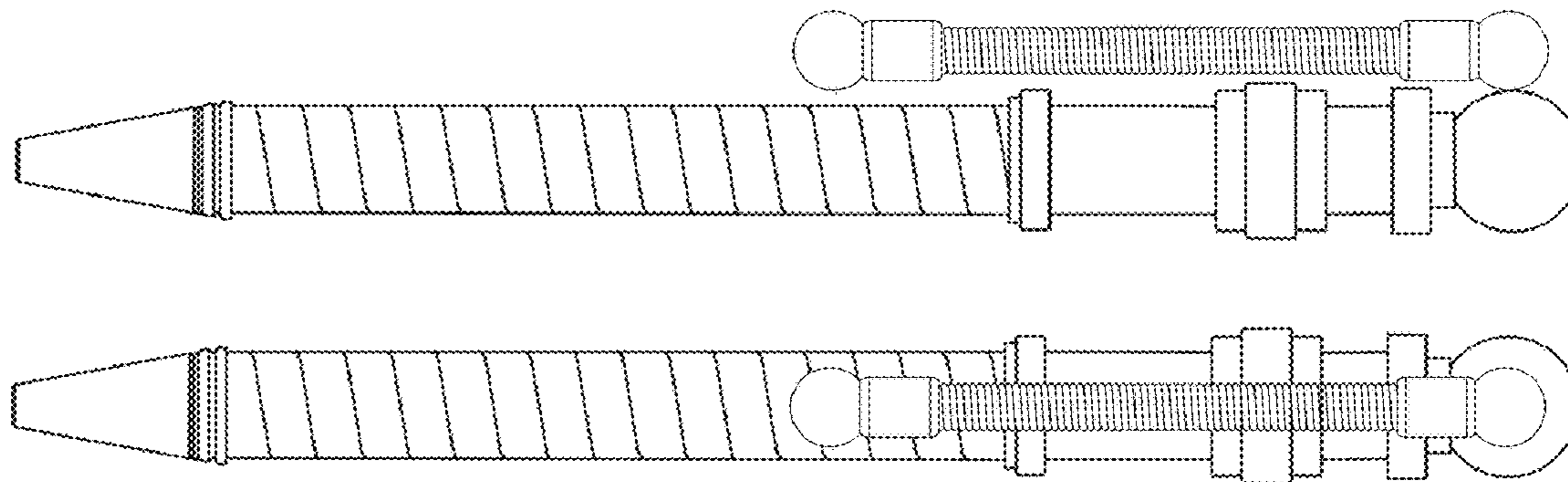
FIG. 5 is a bottom plan view thereof;

FIG. 6 is a left side elevation view thereof;

FIG. 7 is a right side elevation view thereof; and,

FIG. 8 is an exploded front elevation view thereof.

**1 Claim, 3 Drawing Sheets**



(56)

References Cited

U.S. PATENT DOCUMENTS

4,162,754 A \* 7/1979 Fleming ..... A44C 5/0046  
 D260,020 S \* 7/1981 DuBois ..... D19/156  
 D274,357 S \* 6/1984 Moreno ..... D24/142  
 D308,697 S \* 6/1990 Oka ..... D19/196  
 D336,658 S \* 6/1993 Peersmann ..... D19/85  
 D337,611 S \* 7/1993 Peersmann ..... D19/177  
 D350,562 S \* 9/1994 Muliterno ..... D19/174  
 D363,948 S \* 11/1995 Danielson ..... D19/179  
 D390,602 S \* 2/1998 Frank ..... D19/146  
 D420,386 S \* 2/2000 Clarke ..... D19/115  
 D440,602 S \* 4/2001 Ikeda ..... D19/174  
 6,234,699 B1 \* 5/2001 Brode ..... B43K 7/005  
 401/195  
 D482,728 S \* 11/2003 Koch ..... D19/173  
 6,739,780 B1 \* 5/2004 Kuo ..... B43K 5/005  
 401/195  
 D499,448 S 12/2004 Rommel  
 D582,980 S \* 12/2008 Price ..... D19/171  
 D594,583 S \* 6/2009 Puglisi ..... D26/49  
 D595,771 S \* 7/2009 Oas ..... D19/177  
 D613,794 S \* 4/2010 Puglisi ..... D19/174

D626,590 S \* 11/2010 Puglisi ..... D19/173  
 D647,962 S \* 11/2011 Puglisi ..... D19/174  
 D648,383 S 11/2011 Armstead  
 D660,358 S 5/2012 Zhang  
 D662,544 S \* 6/2012 Losel ..... D19/174  
 D689,928 S \* 9/2013 Karwowska ..... D19/149  
 D689,934 S \* 9/2013 Chu ..... D19/179  
 D692,480 S \* 10/2013 Chu ..... D19/123  
 8,967,899 B1 \* 3/2015 Chu ..... B43K 29/16  
 401/195  
 D727,903 S \* 4/2015 Madsen ..... G06F 3/03545  
 D14/411  
 D746,922 S \* 1/2016 Chu ..... D19/123  
 2009/0136283 A1 \* 5/2009 Diamond ..... B43K 7/005  
 401/99

FOREIGN PATENT DOCUMENTS

CN 303276665 S 7/2015  
 TW 504287 S1 9/2002  
 TW D100463 S1 9/2004  
 TW D102031 S1 12/2004  
 TW D102874 51 2/2005  
 TW D106823 S1 10/2005

\* cited by examiner

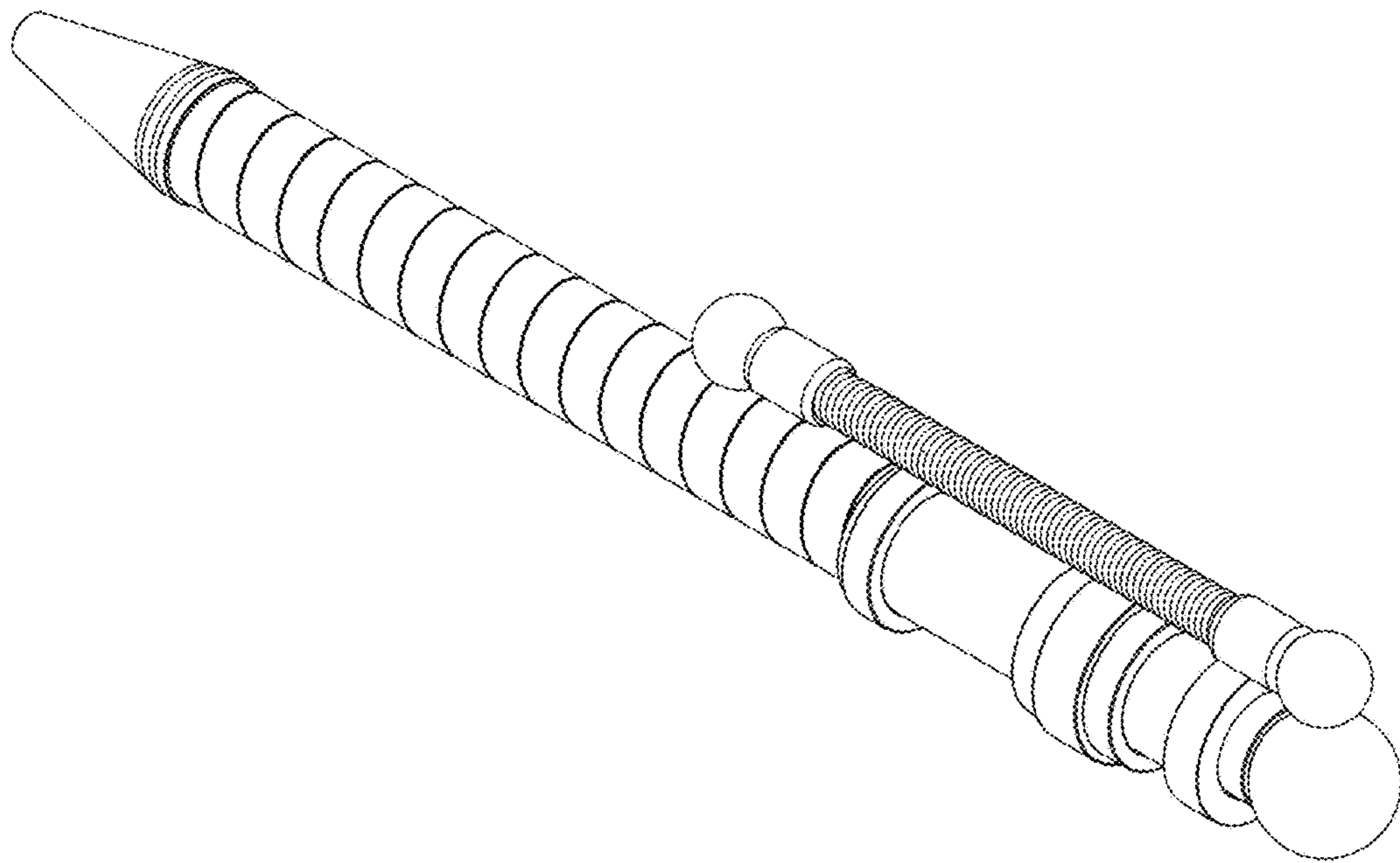


FIG. 1

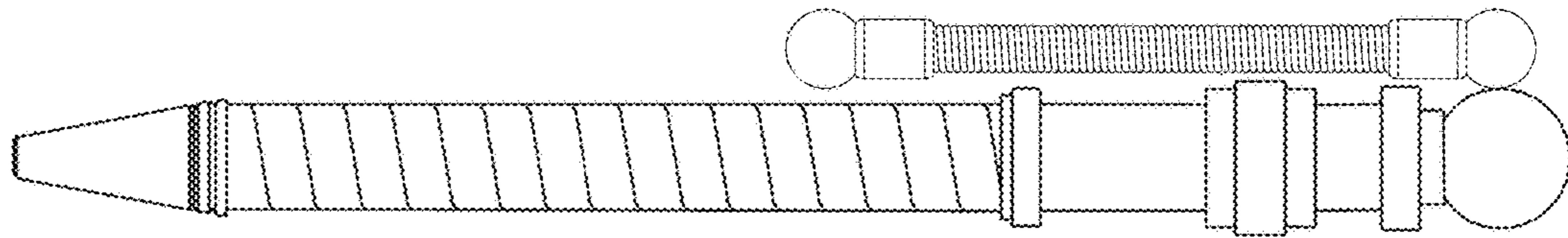


FIG. 2

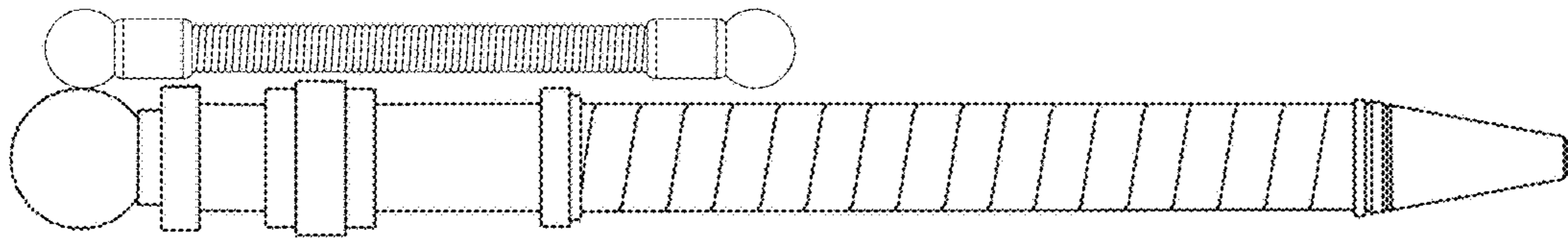


FIG. 3

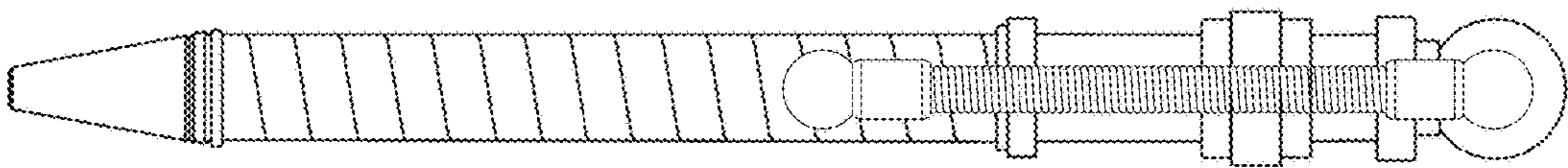


FIG. 4

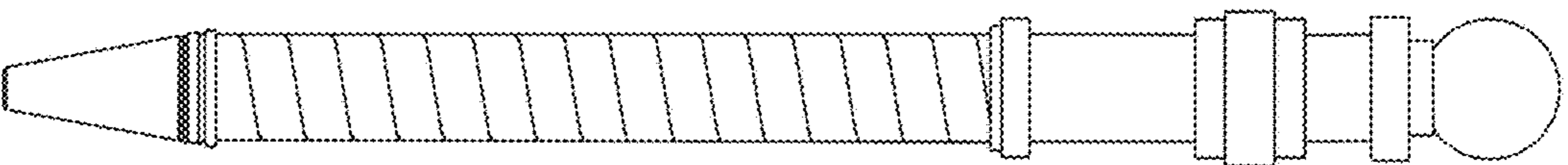


FIG. 5

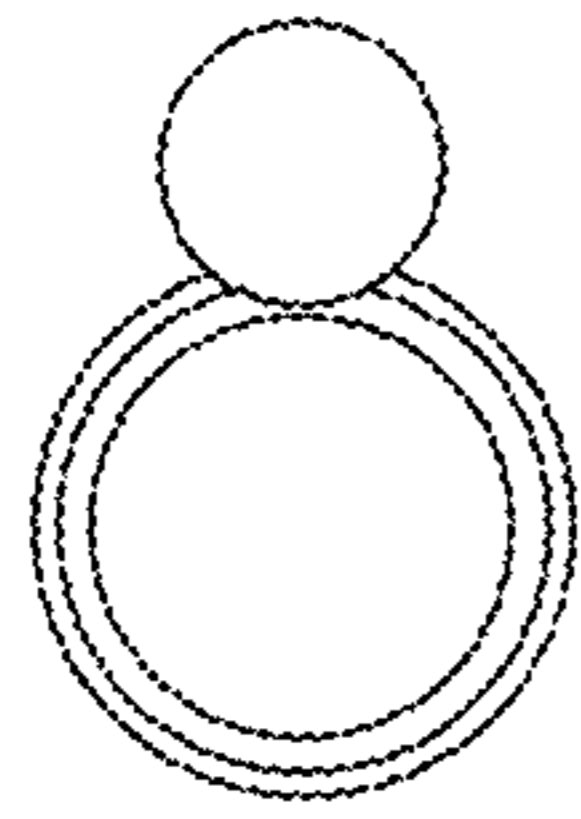


FIG. 6

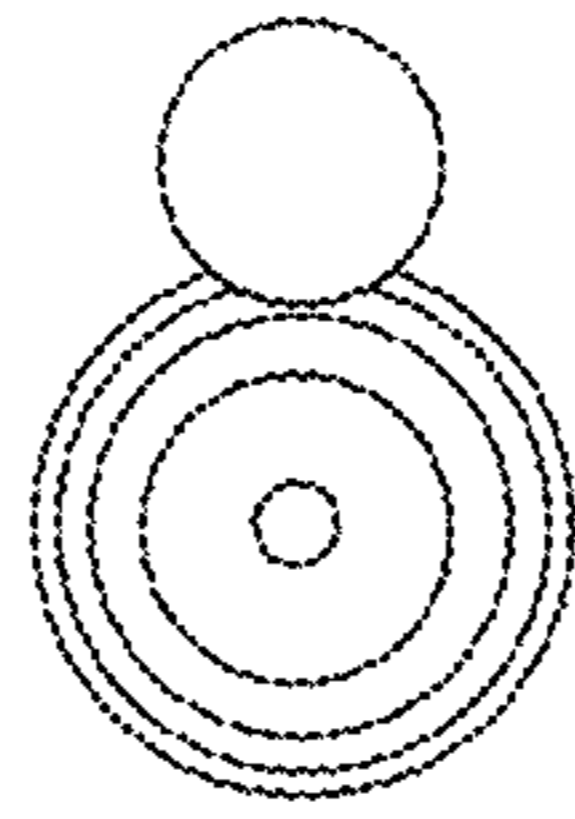


FIG. 7

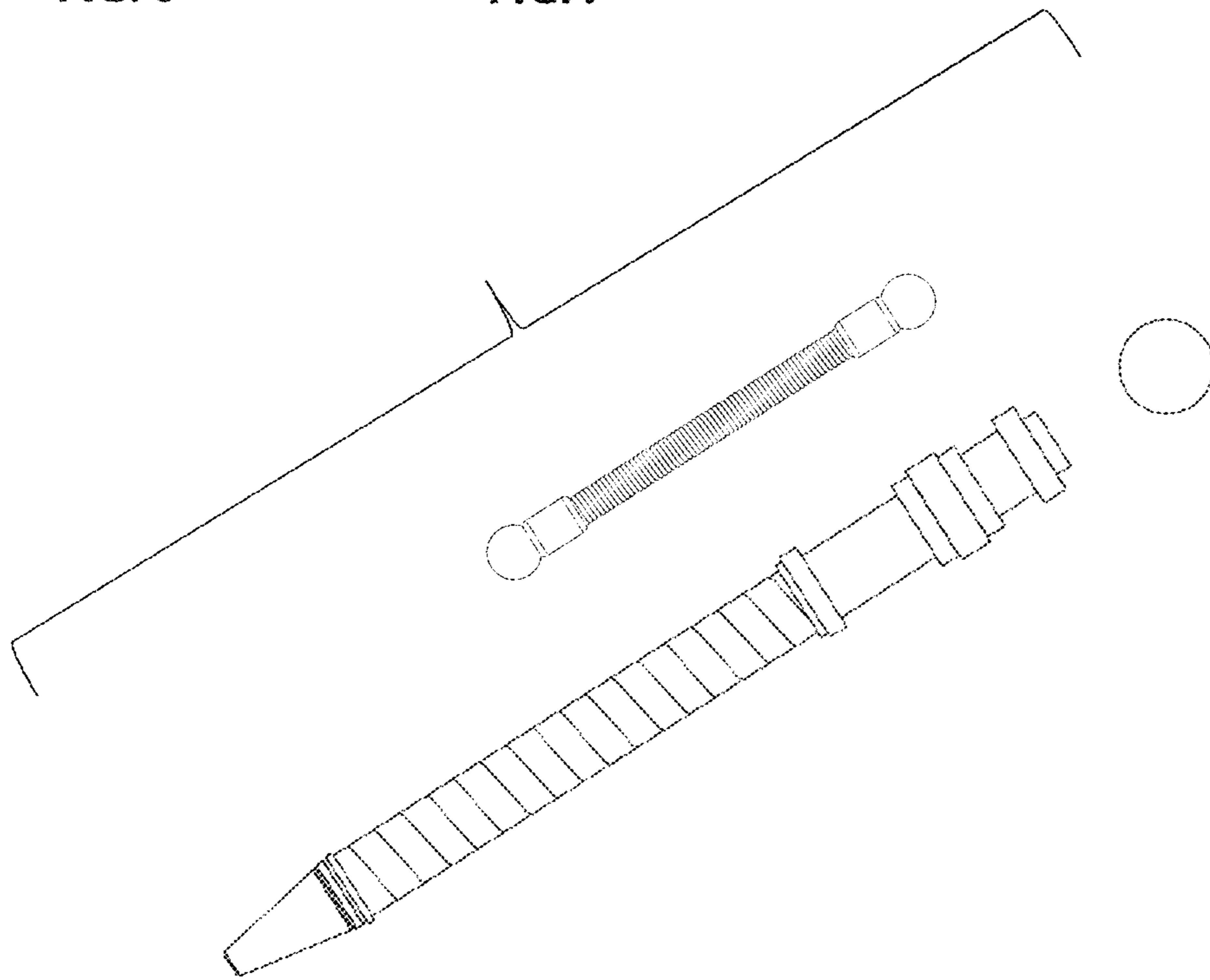


FIG. 8