



US00D799595S

(12) **United States Design Patent**
Han et al.

(10) **Patent No.:** **US D799,595 S**

(45) **Date of Patent:** **** Oct. 10, 2017**

(54) **PRINTER**

(71) Applicant: **Hewlett-Packard Development Company, L.P.**, Houston, TX (US)

(72) Inventors: **Ki Jung Han**, Vancouver, WA (US); **Peter G. Hwang**, Vancouver, WA (US); **Stephen G. Brown**, Vancouver, WA (US); **Kevin Lo**, Vancouver, WA (US); **Dan R. Dwyer**, Vancouver, WA (US); **Matthew D. Reier**, Vancouver, WA (US); **Jeremy Barribeau**, Vancouver, WA (US); **Justin Francke**, San Diego, CA (US); **Michael V. Leman**, Boise, ID (US); **Damian Mycroft**, Houston, TX (US)

(**) Term: **15 Years**

(21) Appl. No.: **29/569,746**

(22) Filed: **Jun. 30, 2016**

(51) **LOC (10) Cl.** **18-02**

(52) **U.S. Cl.**
USPC **D18/56**

(58) **Field of Classification Search**
USPC D18/4.5, 12, 14, 18, 56, 34.5, 40, 34.9, D18/99, 36, 37, 38, 39, 41, 44, 45, 46, D18/47, 48, 49, 50, 51, 52, 53, 54, 55; D14/129, 130, 299, 301, 307, 421, 432, D14/471, 483; 399/388; 101/113; 355/97; 271/3.14; D15/138, 199
CPC B41J 2/01; B41J 29/02; B41J 2/325; B41J 29/13; B41J 11/0045; B41J 32/00
See application file for complete search history.

(56) **References Cited**

U.S. PATENT DOCUMENTS

D578,154 S * 10/2008 Isogai D18/40
D619,639 S * 7/2010 Brown D18/40

D619,640 S * 7/2010 Penke D18/40
D620,520 S * 7/2010 Penke D18/40
D620,521 S * 7/2010 Penke D18/40
D628,619 S * 12/2010 Penke D18/40
D680,162 S * 4/2013 Goh D14/421
D680,163 S * 4/2013 Lim D18/36
D701,563 S * 3/2014 Kim D18/39
D763,353 S * 8/2016 Cho D18/56
D763,958 S * 8/2016 Kim D18/53
D767,676 S * 9/2016 So D18/56
D767,677 S * 9/2016 Kim D18/56

(Continued)

Primary Examiner — Cynthia Ramirez

Assistant Examiner — Michael Maharajh

(74) *Attorney, Agent, or Firm* — Morgan, Lewis & Bockius LLP

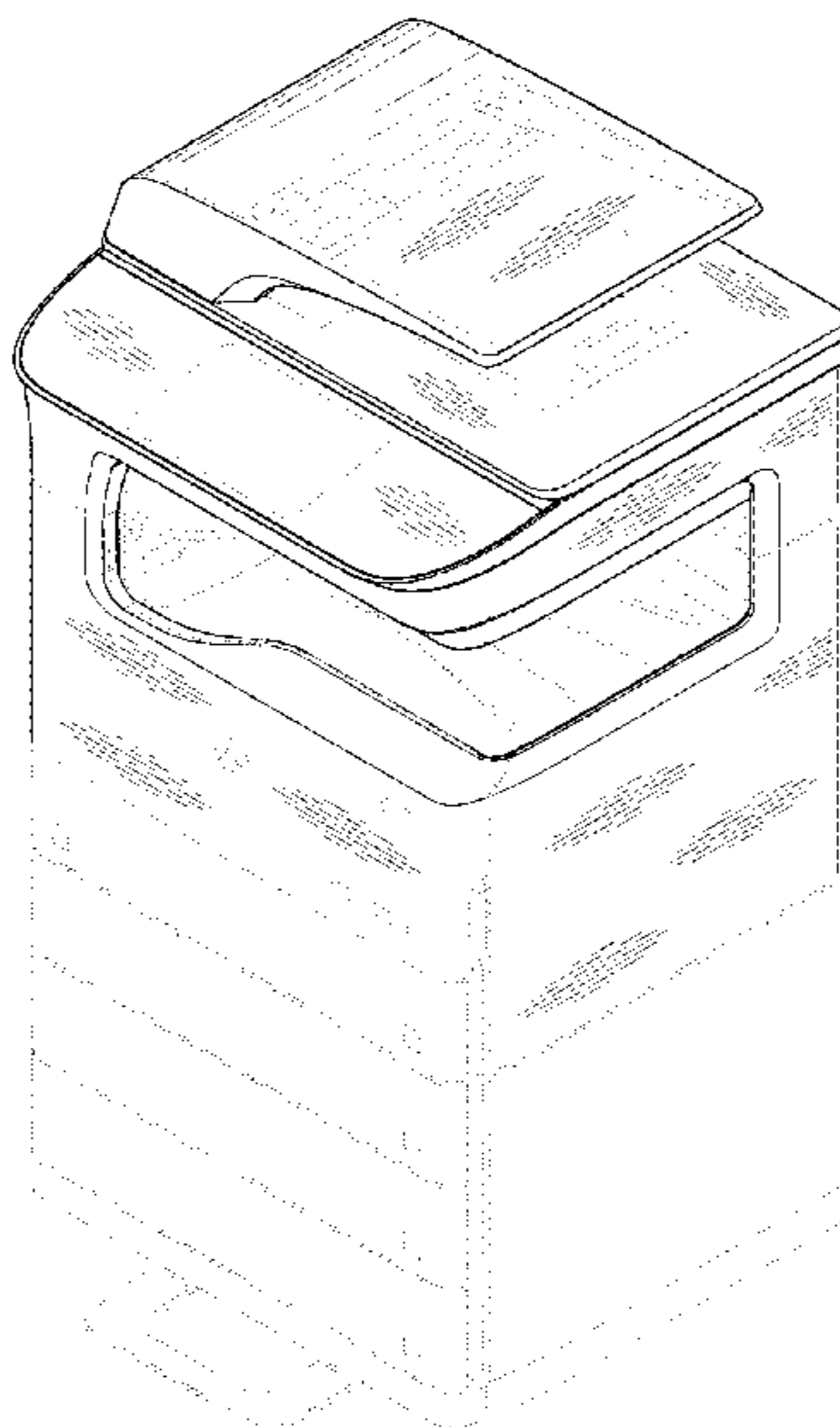
(57) **CLAIM**

The ornamental design for a printer, as shown and described.

DESCRIPTION

FIG. 1 is a front, left, top, perspective view of a printer showing our new design;
FIG. 2 is a front, right, top, perspective view of the printer shown in FIG. 1;
FIG. 3 is a front elevational view of the printer shown in FIG. 1;
FIG. 4 is a rear elevational view of the printer shown in FIG. 1;
FIG. 5 is a left-side elevational view of the printer shown in FIG. 1;
FIG. 6 is a right-side elevational view of the printer or shown in FIG. 1;
FIG. 7 is a top plan view of the printer shown in FIG. 1; and, FIG. 8 is a bottom plan view of the printer shown in FIG. 1. The broken lines shown in the drawings represent portions of the printer that form no part of the claimed design.

1 Claim, 8 Drawing Sheets



(56)

References Cited

U.S. PATENT DOCUMENTS

D769,968 S * 10/2016 So D18/56
D778,983 S * 2/2017 Kim D18/53

* cited by examiner

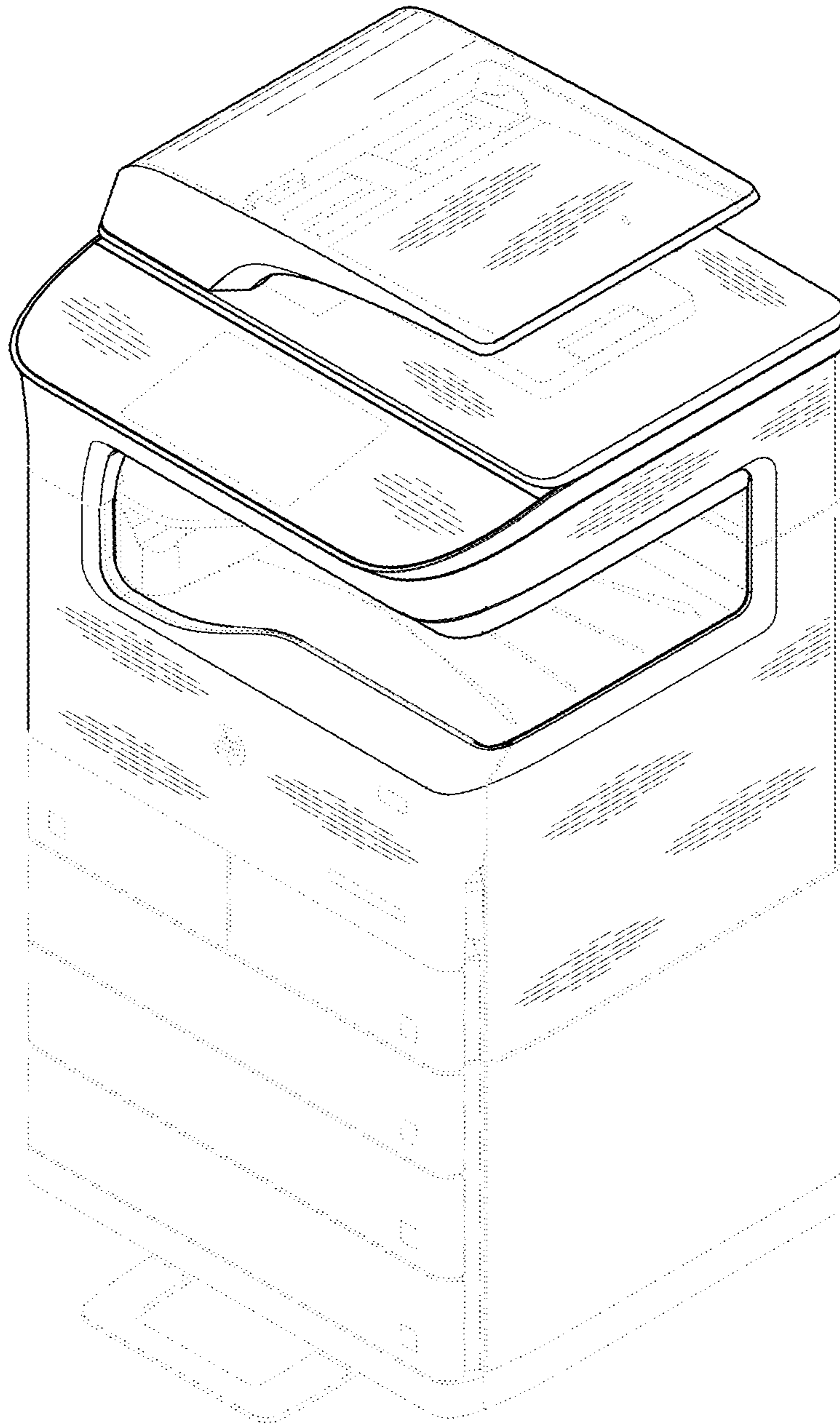


FIG. 1

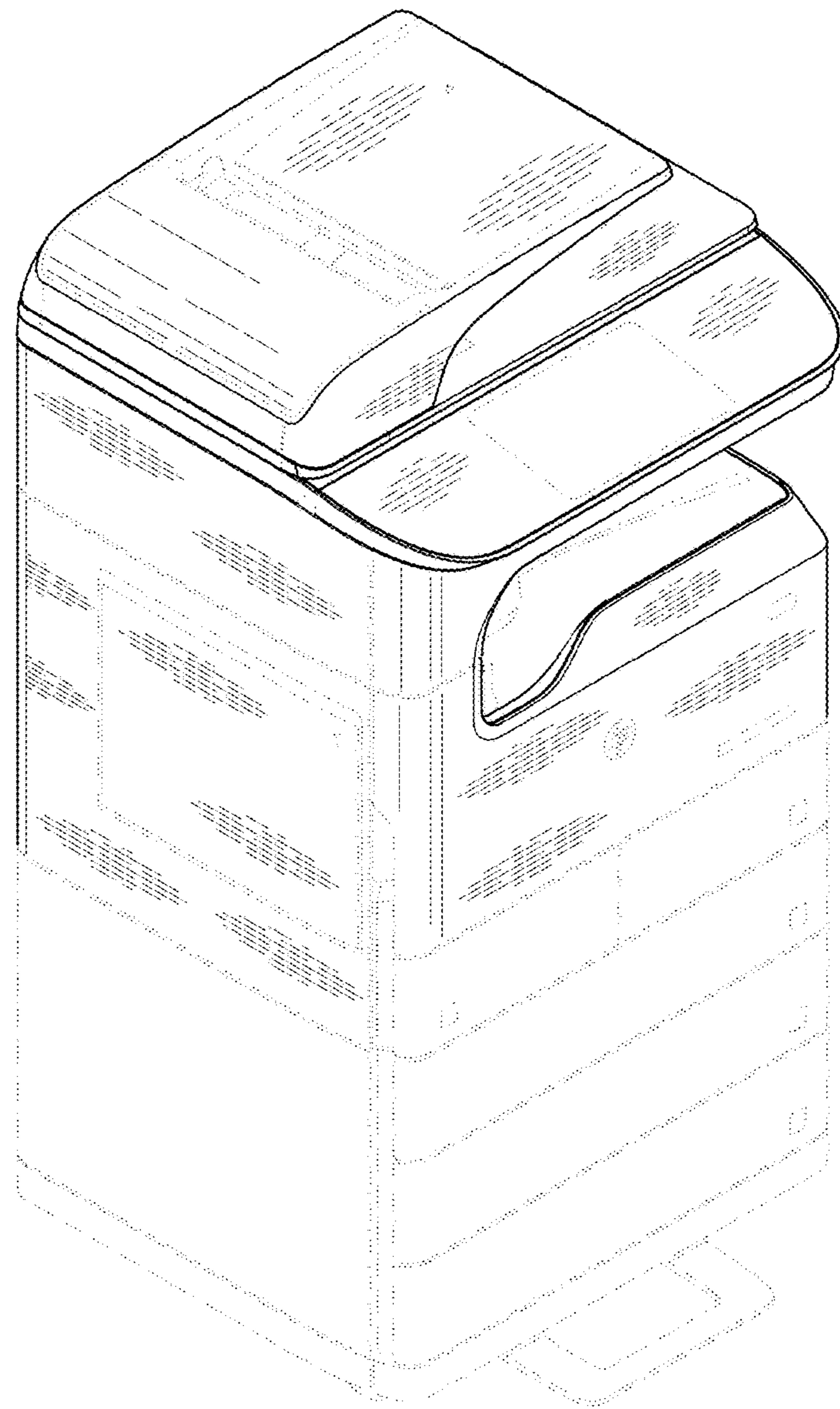


FIG. 2

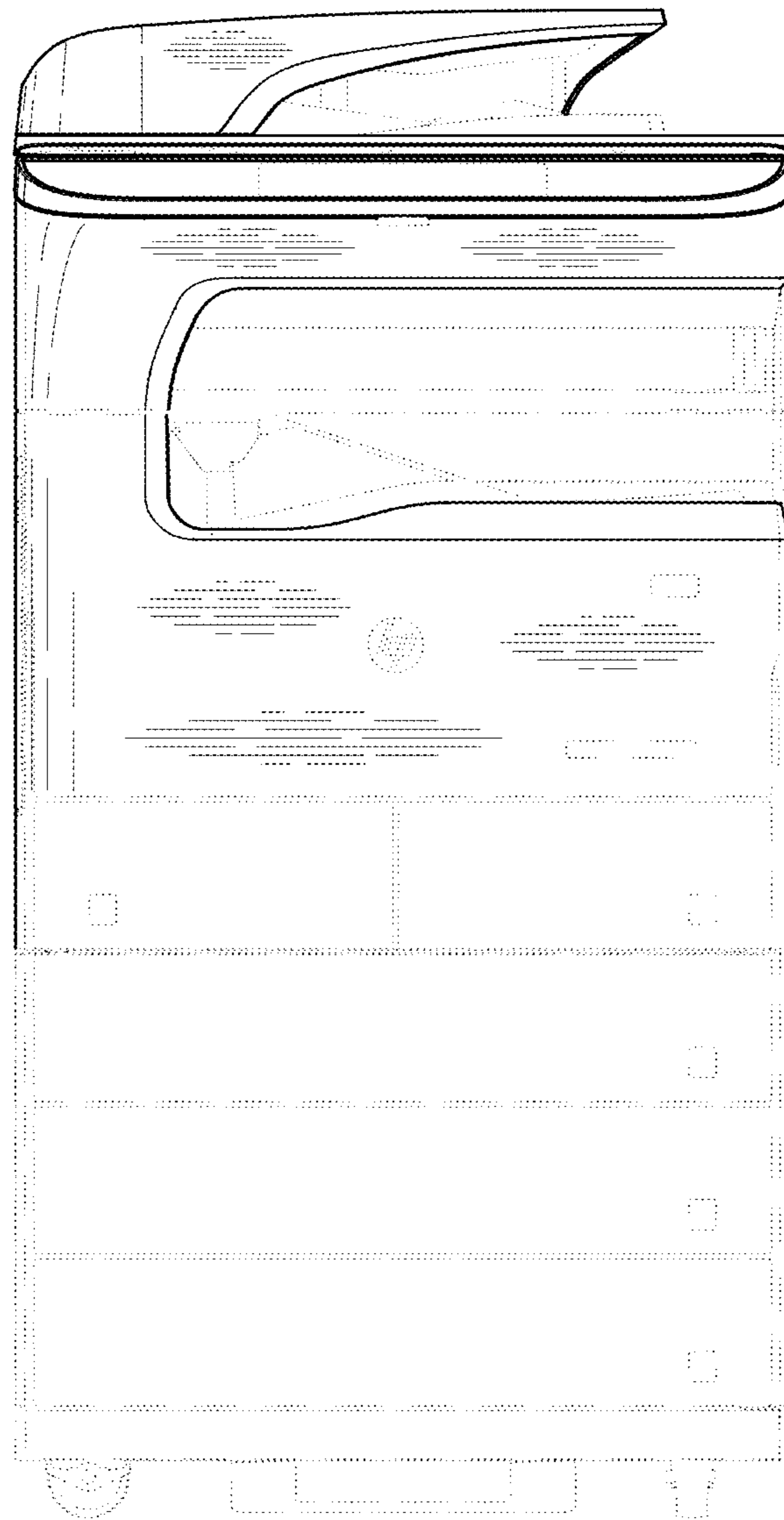


FIG. 3

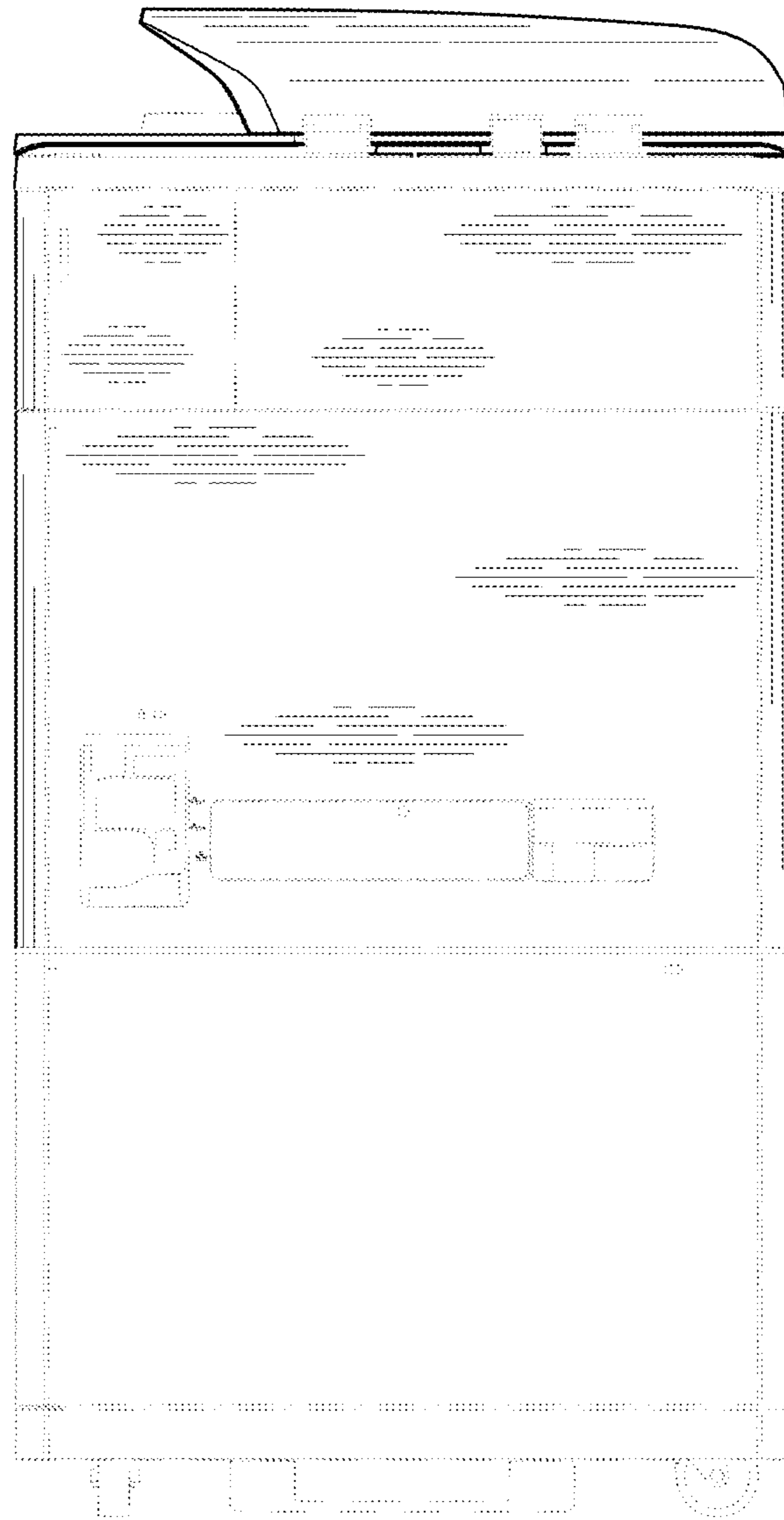


FIG. 4

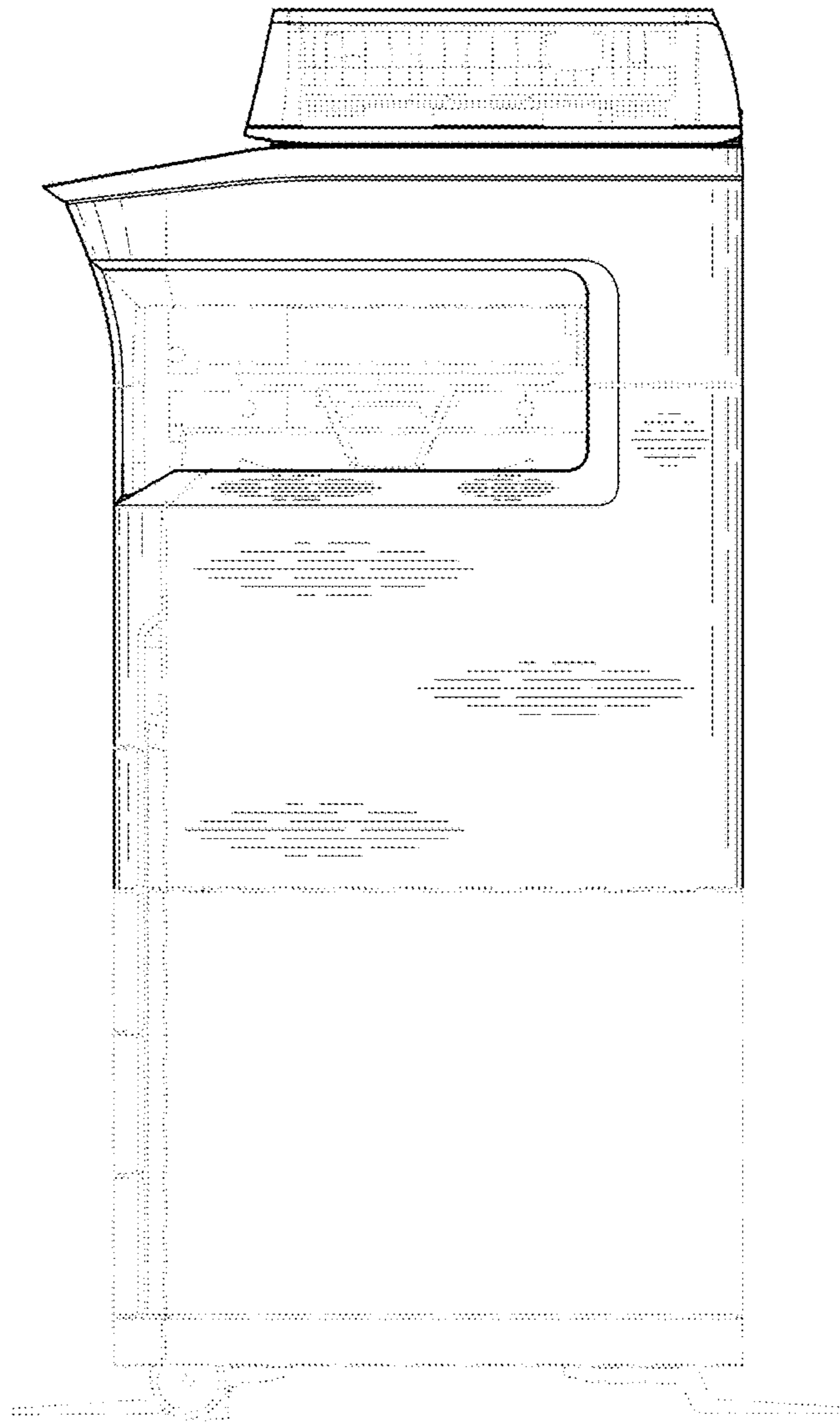


FIG. 5

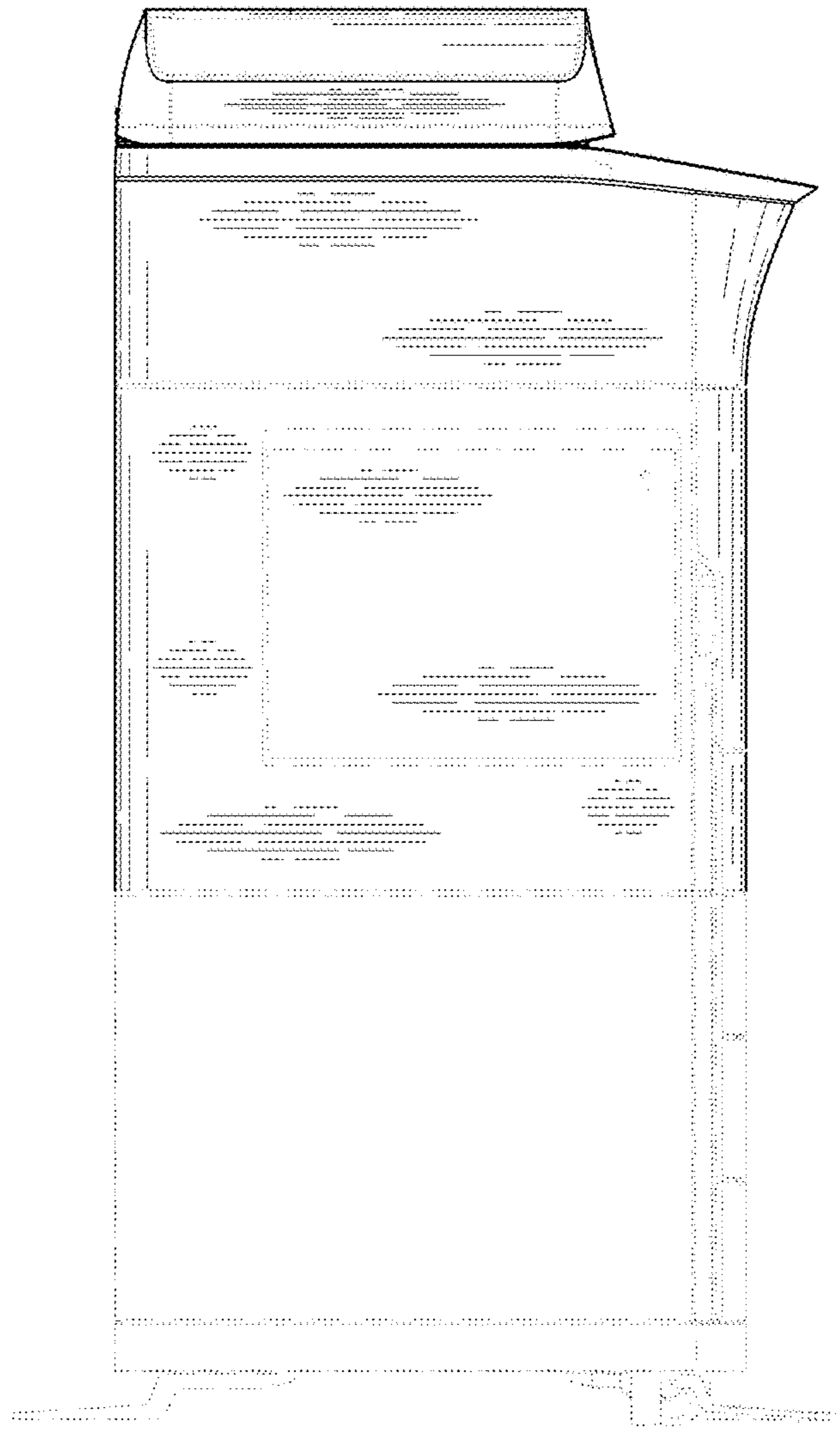


FIG. 6

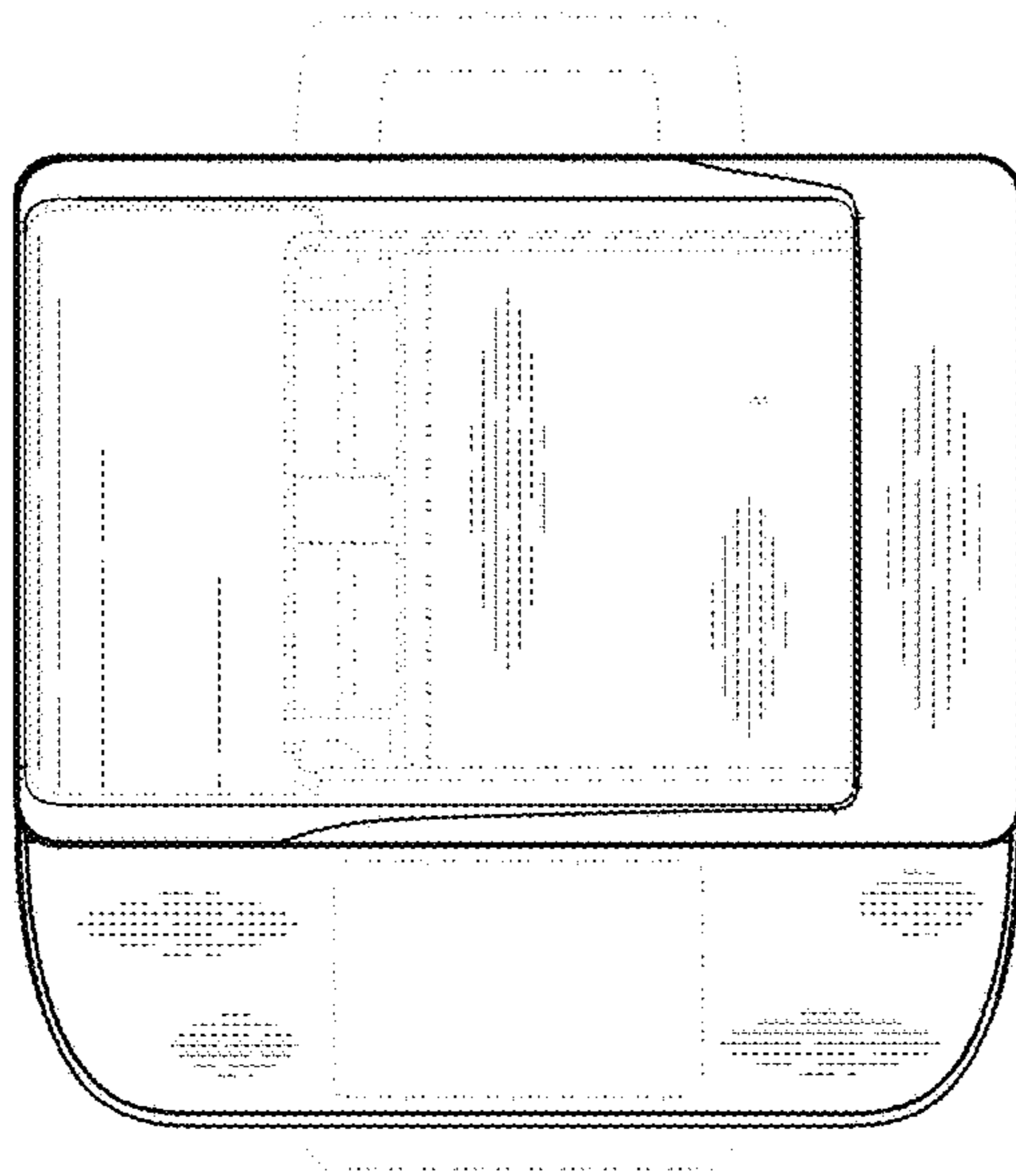


FIG. 7

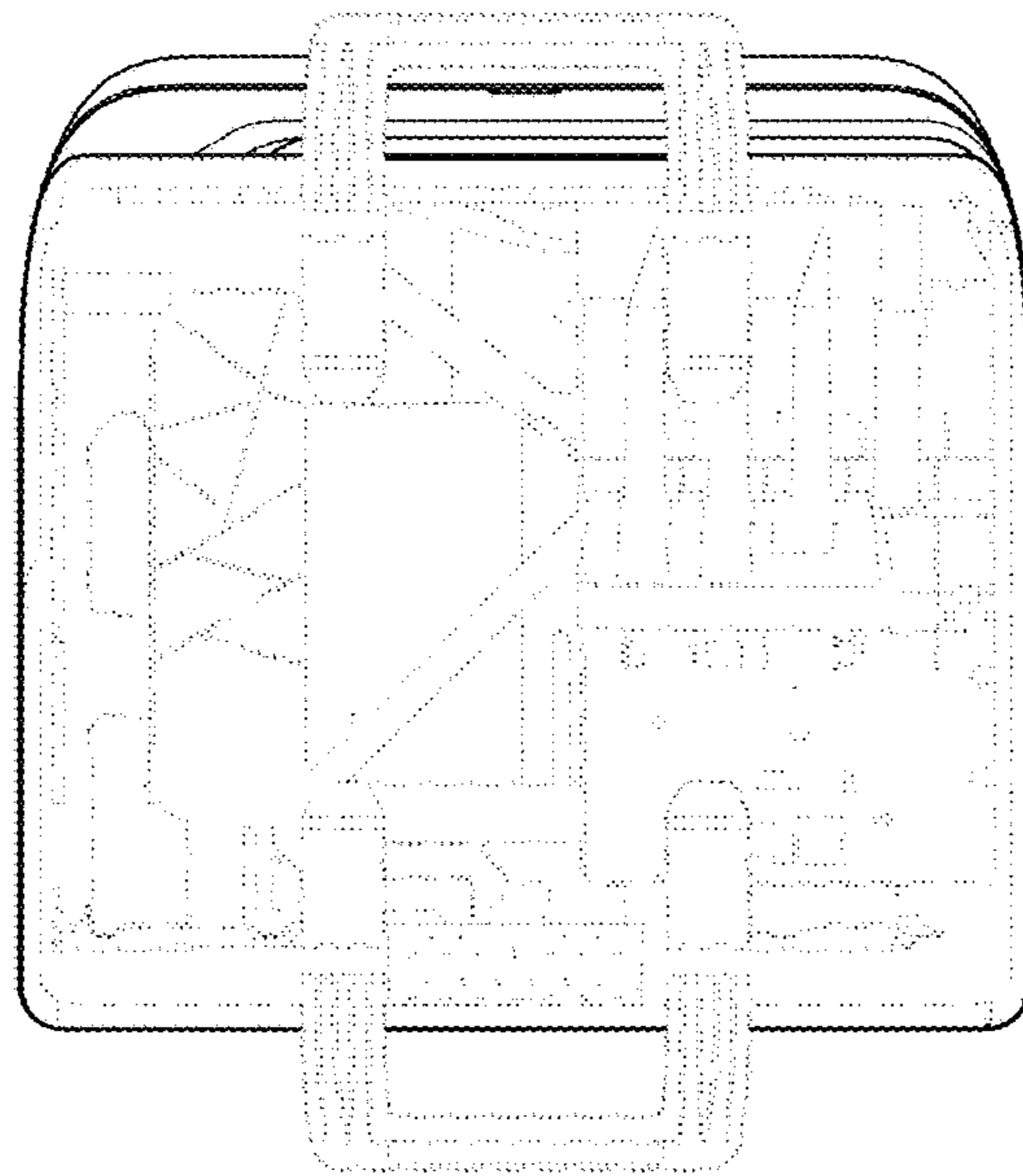


FIG. 8