



US00D799594S

(12) **United States Design Patent** (10) **Patent No.:** **US D799,594 S**  
**Kim et al.** (45) **Date of Patent:** **\*\* Oct. 10, 2017**

(54) **MULTI-FUNCTION PRINTER**

B14J 2/1721; B14J 2/17503; B14J 2/175013;

(71) Applicant: **S-Printing Solution Co., Ltd.**,  
Suwon-si (KR)

(Continued)

(72) Inventors: **Jong Kyu Kim**, Yongin-si (KR); **Min Chul Kim**, Seoul (KR); **Seung Wook Jeong**, Seoul (KR)

(56) **References Cited**

U.S. PATENT DOCUMENTS

4,872,659 A \* 10/1989 Kato ..... B65H 3/44  
271/111  
D339,154 S \* 9/1993 Fukuda ..... D18/44  
D432,161 S \* 10/2000 Takeuchi ..... D18/39

(Continued)

(73) Assignee: **S-Printing Solution Co., LTD.**,  
Suwon-si (KR)

OTHER PUBLICATIONS

(\*\*) Term: **15 Years**

New Media Cabinetry by Made, posted by Made studio, posted on May 1, 2012, made-studio.com [online], [retrived 02/01/217]. Available from internet: <URL:http://made-studio.com/blog/page/2/>.\*

(21) Appl. No.: **29/533,201**

(22) Filed: **Jul. 15, 2015**

*Primary Examiner* — Cathron Brooks

*Assistant Examiner* — Andrew Nemeth

(30) **Foreign Application Priority Data**

(74) *Attorney, Agent, or Firm* — NSIP Law

Jan. 30, 2015 (KR) ..... 30-2015-0005254

(57) **CLAIM**

We claim the ornamental design for a multi-function printer, as shown and described.

(51) **LOC (10) Cl.** ..... **18-02**

**DESCRIPTION**

(52) **U.S. Cl.**

USPC ..... **D18/55**; D18/56

(58) **Field of Classification Search**

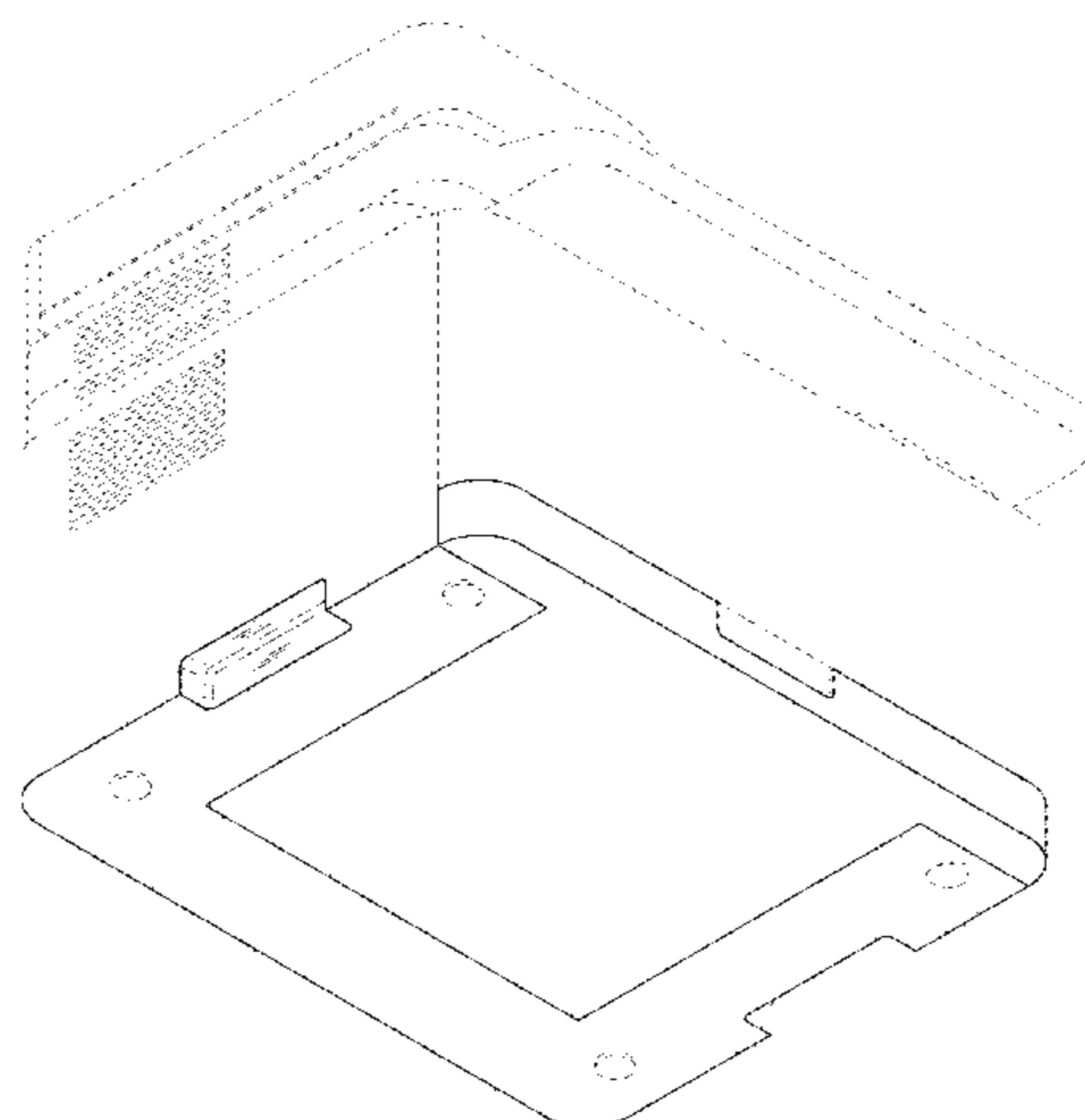
USPC ..... D18/12, 43, 56, 4.5, 4.6, 14, 18, 19,  
D18/36-41, 53, 54, 99, 55, 44-50, 59;  
D20/11, 19, 22, 27, 28; D14/421, 422,  
D14/425, 432, 441, 463, 468, 469;  
D6/407, 627; D8/313, 314, 315-322;  
D23/372

CPC ..... B41J 3/4075; B41J 15/044; B41J 32/00;  
B31D 1/027; G06F 17/30725; G06Q  
20/3274; G06Q 20/3276; B14J 2/17;

FIG. 1 is a front perspective view of a multi-function printer showing our new design;  
FIG. 2 is a front view thereof;  
FIG. 3 is a rear view thereof;  
FIG. 4 is a left-side view thereof;  
FIG. 5 is a right-side view thereof;  
FIG. 6 is a top view thereof;  
FIG. 7 is a bottom view thereof;  
FIG. 8 is an enlarged view thereof taken along line 8-8 in FIG. 4; and,  
FIG. 9 is a cross-sectional view thereof taken along line 9-9 of FIG. 8.

The broken lines illustrating portions of the multi-function printer are for environmental purposes only and form no part

(Continued)



of the claimed design. The dot-dot-dash broken lines encircling portions of the claimed design that are illustrated in enlargements form no part of the claimed design.

The front side of the multi-function printer coincides with the bottom side of the drawing and the rear side of the multi-function printer coincides with the top side of the drawing in FIG. 7.

**1 Claim, 8 Drawing Sheets**

**(58) Field of Classification Search**

CPC .. B14J 2/1752; B14J 2/17523; B14J 2/17553;  
B14J 2/17556; B14J 2/185; B14J 29/377  
See application file for complete search history.

**(56) References Cited**

U.S. PATENT DOCUMENTS

D532,043 S	*	11/2006	Park	.....	D18/50
D578,494 S	*	10/2008	Hattori	.....	D18/55
D593,149 S	*	5/2009	Park	.....	D18/55
D607,928 S	*	1/2010	Kim	.....	D18/55
D617,829 S	*	6/2010	Suzuki	.....	D18/55
D633,139 S	*	2/2011	Park	.....	D18/55
D639,847 S	*	6/2011	Nakata	.....	D18/50
D641,038 S	*	7/2011	Park	.....	D18/55
D641,395 S	*	7/2011	Park	.....	D18/55
D643,058 S	*	8/2011	Seki	.....	D18/55
D647,130 S	*	10/2011	Kim	.....	D18/50
D647,132 S	*	10/2011	Kim	.....	D18/55
D647,958 S	*	11/2011	Yoshioka	.....	D18/50
D653,704 S	*	2/2012	Seki	.....	D18/55
D661,346 S	*	6/2012	Suzuki	.....	D18/55

D662,974 S	*	7/2012	Suzuki	.....	D18/55
D664,193 S	*	7/2012	Larson	.....	D18/55
D666,239 S	*	8/2012	Larson	.....	D18/55
D667,051 S	*	9/2012	Sato	.....	D18/50
D667,488 S	*	9/2012	Inoue	.....	D18/55
D670,328 S	*	11/2012	Suzuki	.....	D18/55
D673,603 S	*	1/2013	Suzuki	.....	D18/55
D674,011 S	*	1/2013	Sato	.....	D18/55
D674,435 S	*	1/2013	Inoue	.....	D18/55
D675,673 S	*	2/2013	Sato	.....	D18/50
D681,725 S	*	5/2013	Kishimoto	.....	D14/467
D681,726 S	*	5/2013	Yonekawa	.....	D14/421
D682,928 S	*	5/2013	Kim	.....	D18/55
D688,742 S	*	8/2013	Kim	.....	D18/55
D693,873 S	*	11/2013	Fukasawa	.....	D18/55
D696,343 S	*	12/2013	Kim	.....	D18/55
D696,717 S	*	12/2013	Kim	.....	D18/55
D697,964 S	*	1/2014	Fukasawa	.....	D18/55
D697,965 S	*	1/2014	Fukasawa	.....	D18/55
D697,966 S	*	1/2014	Fukasawa	.....	D18/55
D697,967 S	*	1/2014	Fukasawa	.....	D18/55
D698,389 S	*	1/2014	Fukasawa	.....	D18/55
D722,339 S	*	2/2015	Nakagawa	.....	D18/55
D723,616 S	*	3/2015	Nakagawa	.....	D18/55
D724,141 S	*	3/2015	Kim	.....	D18/55
D725,184 S	*	3/2015	Kim	.....	D18/55
D744,031 S	*	11/2015	Tanaka	.....	D18/50
D749,168 S	*	2/2016	Nakagawa	.....	D18/50
D749,169 S	*	2/2016	Kil	.....	D18/55
D749,171 S	*	2/2016	Nakagawa	.....	D18/55
D752,138 S	*	3/2016	Seki	.....	D18/50
D770,565 S	*	11/2016	Tanaka	.....	D18/50
D771,183 S	*	11/2016	Kim	.....	D18/55
D780,841 S	*	3/2017	Kim	.....	D18/55
D783,712 S	*	4/2017	Kim	.....	D18/55
D785,086 S	*	4/2017	Kim	.....	D18/56
D786,343 S	*	5/2017	Kil	.....	D18/55

\* cited by examiner

FIG.1

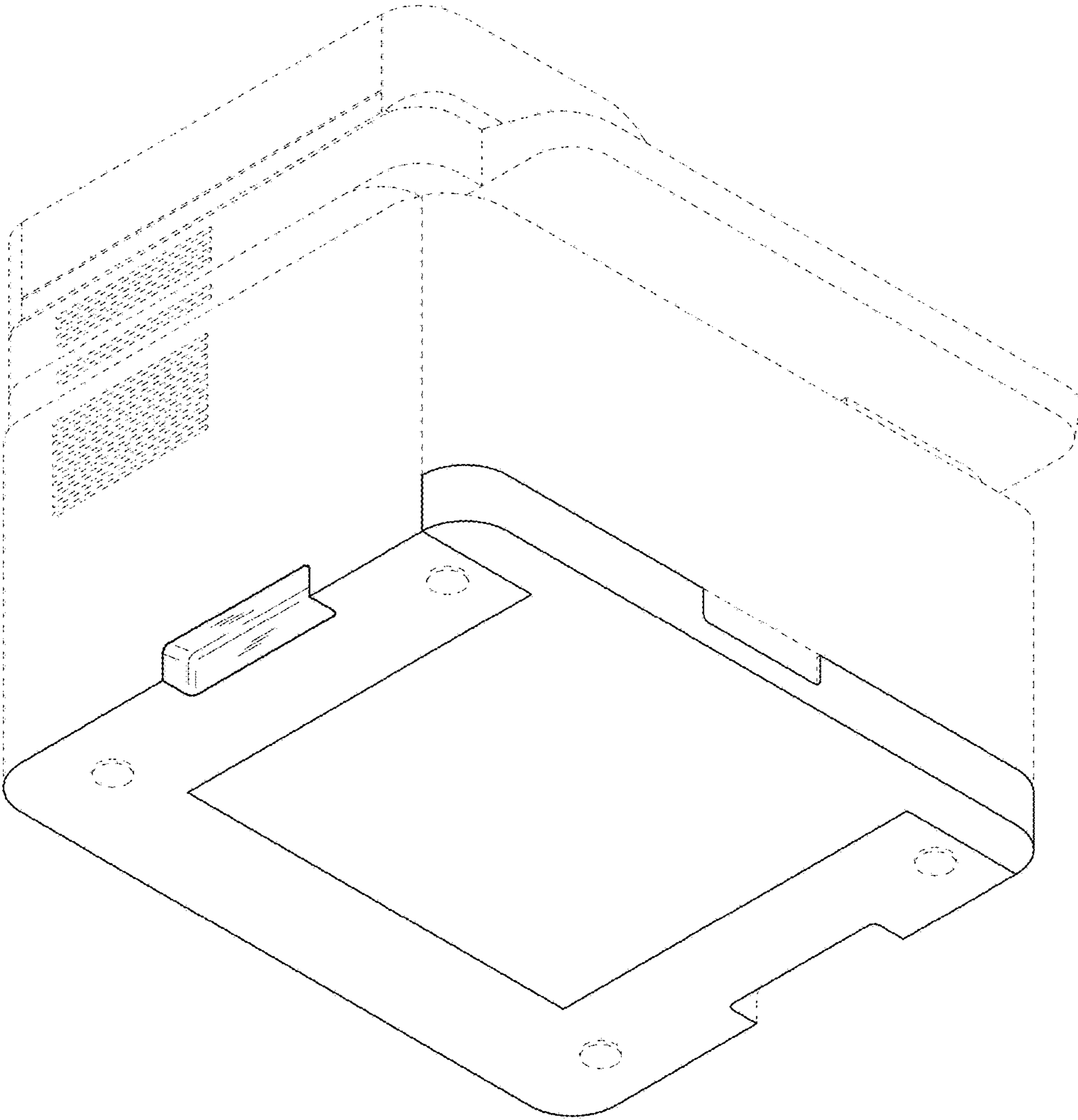


FIG.2

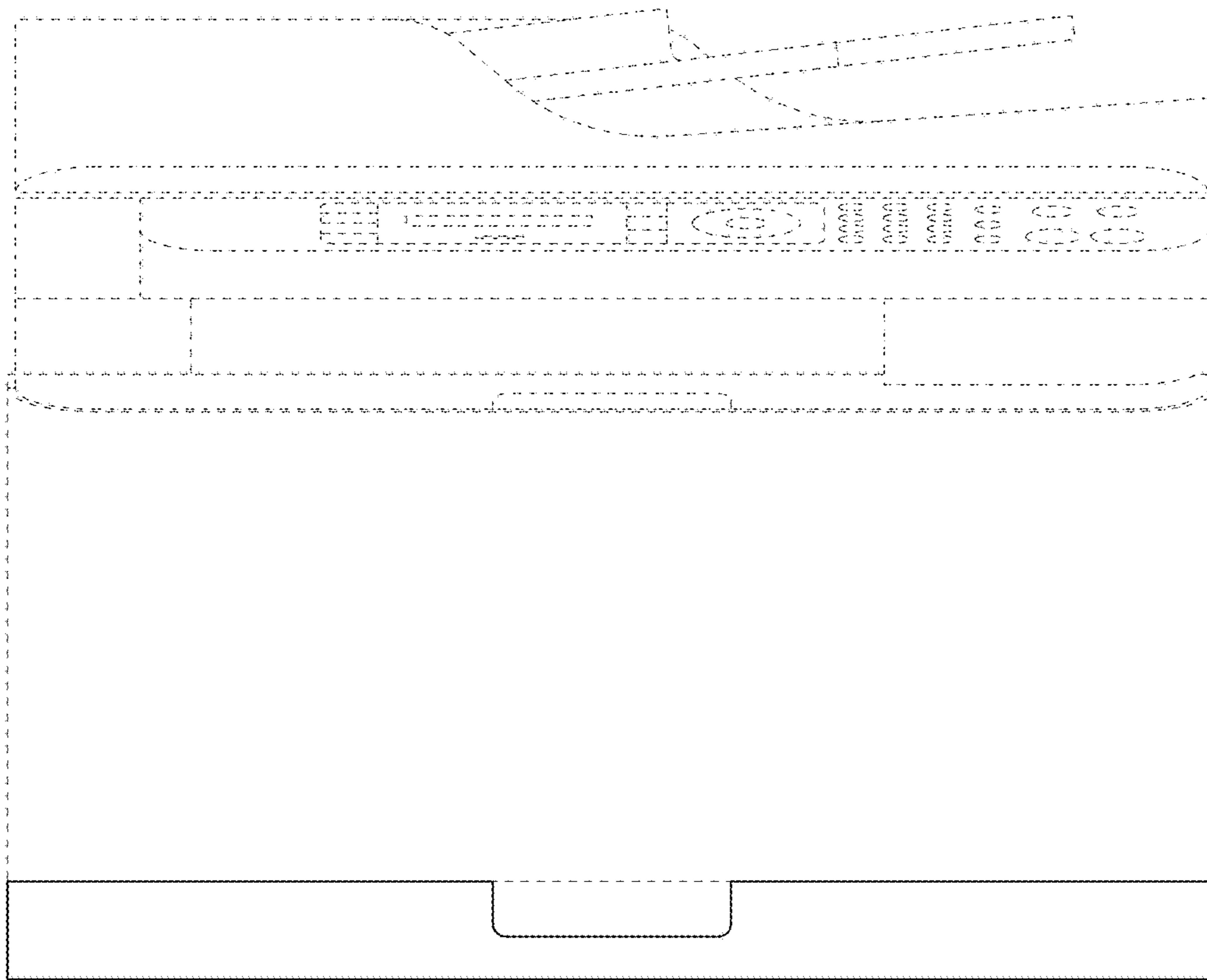


FIG.3

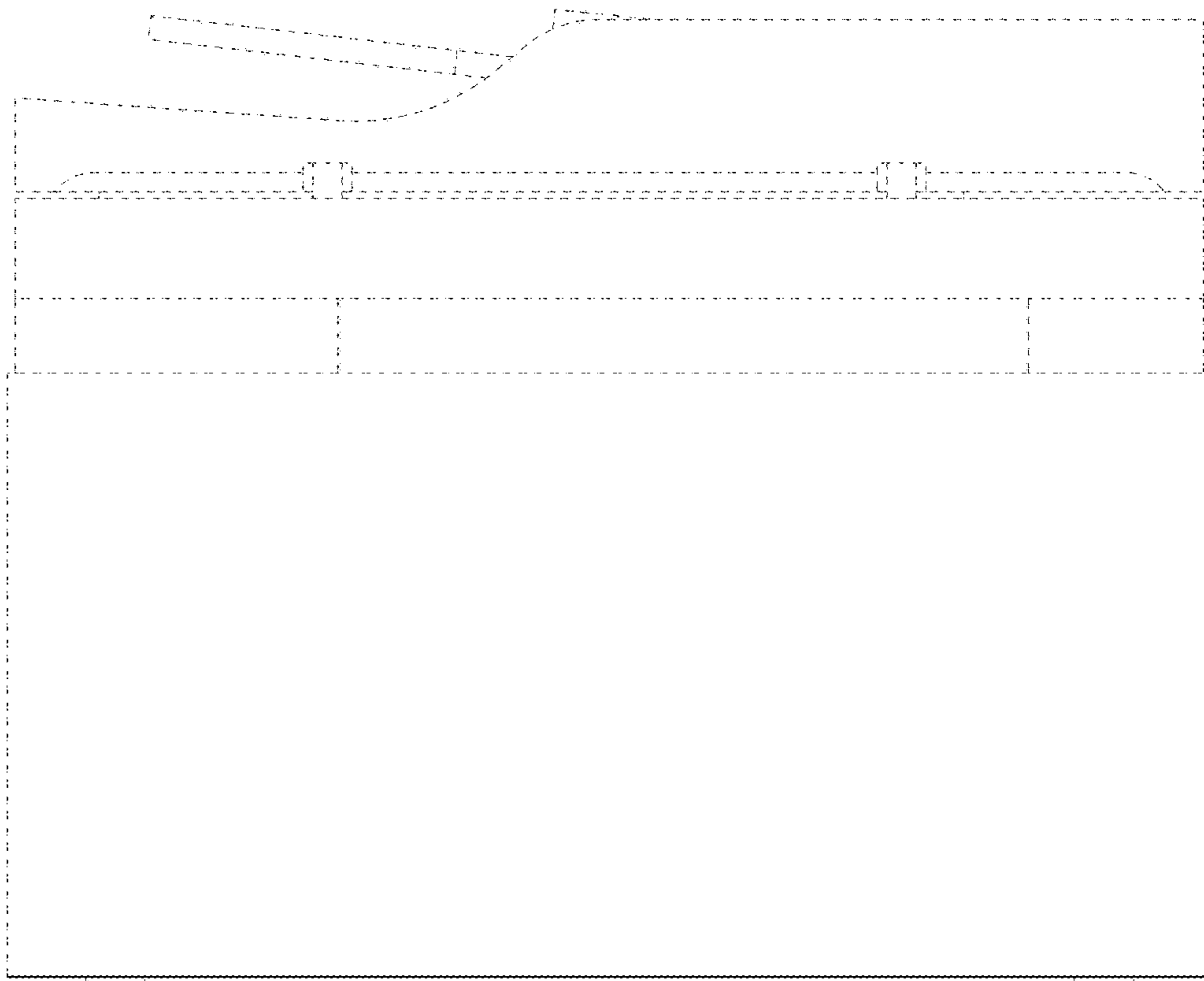




FIG.4

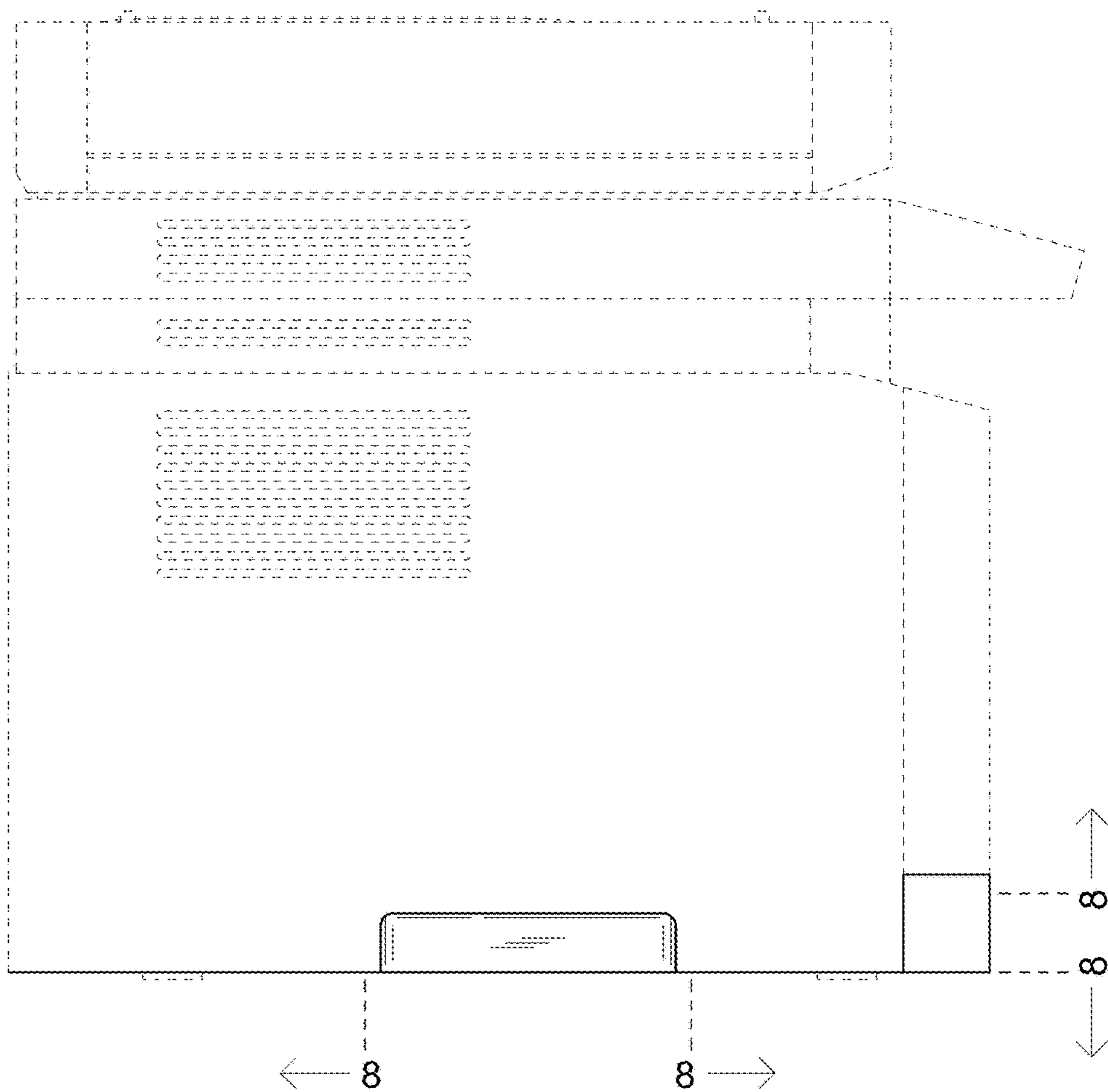


FIG.5

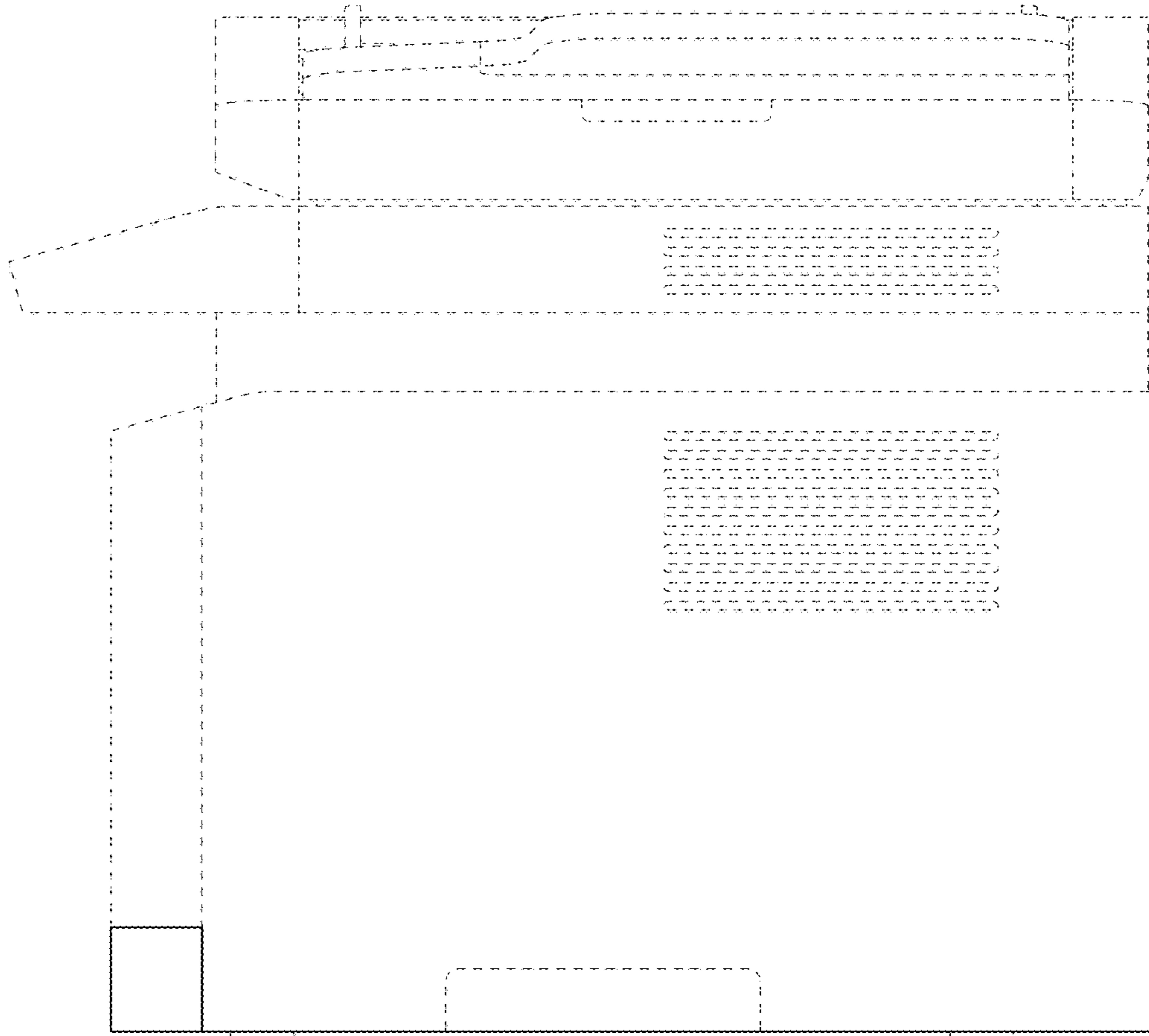


FIG.6

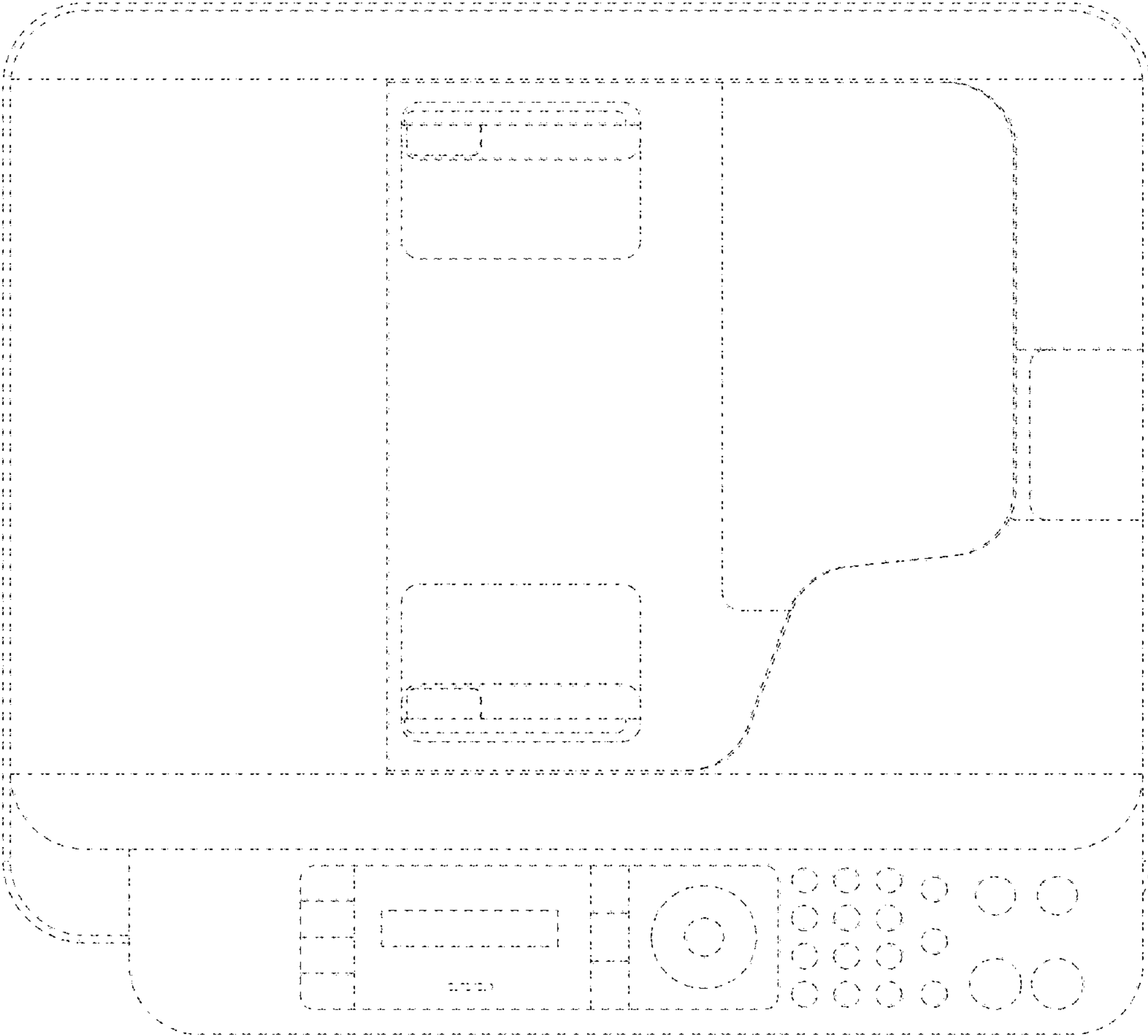




FIG.7

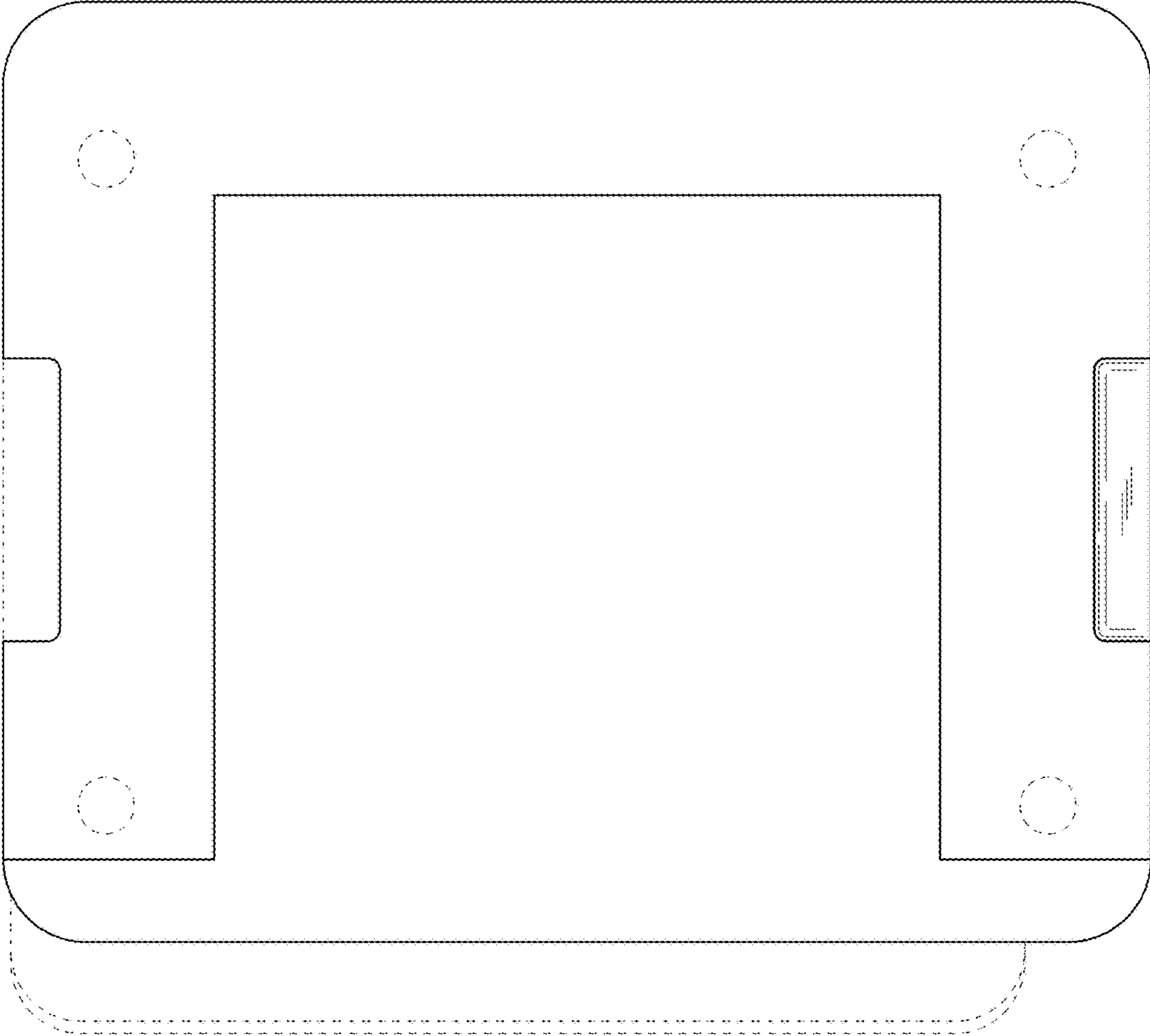


FIG.8

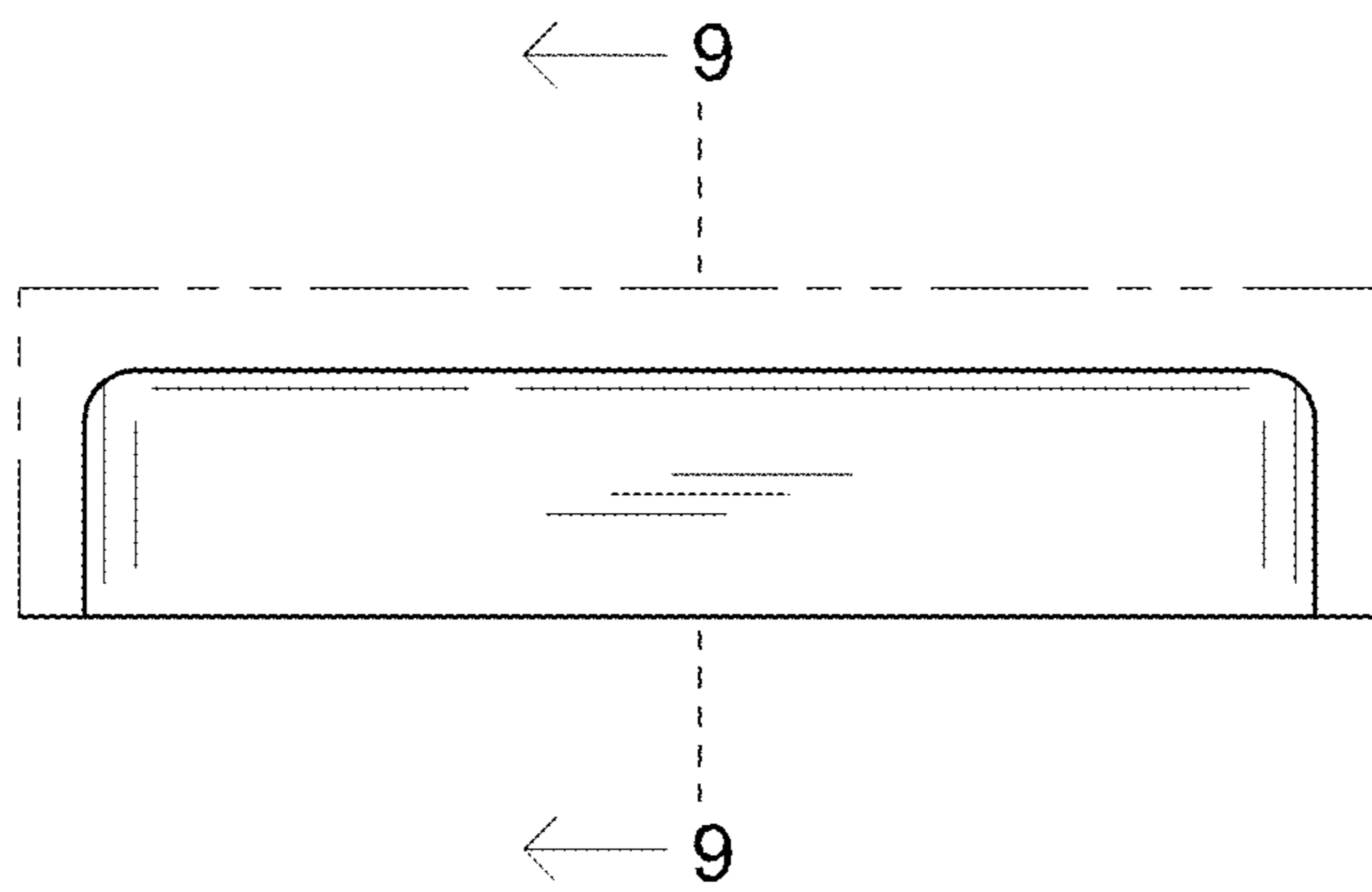


FIG.9

