



US00D799593S

(12) **United States Design Patent** (10) **Patent No.:** **US D799,593 S**  
**Kim et al.** (45) **Date of Patent:** **\*\* Oct. 10, 2017**

(54) **MULTI-FUNCTION PRINTER**  
 (71) Applicant: **S-Printing Solution Co., Ltd.**,  
 Suwon-si (KR)  
 (72) Inventors: **Jong Kyu Kim**, Yongin-si (KR); **Min Chul Kim**, Seoul (KR); **Seung Wook Jeong**, Seoul (KR)  
 (73) Assignee: **S-Printing Solution Co., Ltd.**,  
 Suwon-si (KR)  
 (\*\*) Term: **15 Years**

D529,074 S \* 9/2006 Inoue ..... D18/41  
 D537,471 S \* 2/2007 Inoue ..... D18/41  
 D543,584 S \* 5/2007 Takahashi ..... D18/40  
 D573,179 S \* 7/2008 Bae ..... D18/50  
 D676,542 S \* 2/2013 Sinur ..... D23/372  
 D682,328 S \* 5/2013 Day ..... D15/146  
 D682,928 S \* 5/2013 Kim ..... D18/55  
 8,570,624 B2 \* 10/2013 Nagashima ..... G03G 15/60  
 358/1.1  
 D695,339 S \* 12/2013 Fukasawa ..... D18/53  
 D697,966 S \* 1/2014 Fukasawa ..... D18/55  
 D697,967 S \* 1/2014 Fukasawa ..... D18/55  
 D702,760 S \* 4/2014 Kim ..... D18/55  
 D724,142 S \* 3/2015 Kim ..... D18/55  
 D726,249 S \* 4/2015 Kim ..... D18/53

(Continued)

(21) Appl. No.: **29/533,193**

(22) Filed: **Jul. 15, 2015**

(30) **Foreign Application Priority Data**

Jan. 30, 2015 (KR) ..... 30-2015-0005253

(51) **LOC (10) Cl.** ..... **18-02**

(52) **U.S. Cl.**  
 USPC ..... **D18/55; D18/56**

(58) **Field of Classification Search**  
 USPC ..... D18/12, 43, 56, 4.5, 4.6, 14, 18, 19,  
 D18/36-41, 53, 54, 99, 55, 44-50, 59;  
 D20/11, 19, 22, 27, 28; D14/421, 422,  
 D14/425, 432, 463, 468, 469  
 CPC ..... B41J 3/4075; B41J 15/044; B41J 32/00;  
 B31D 1/027; G06F 17/30725; G06Q  
 20/3274; G06Q 20/3276; B14J 2/17;  
 B14J 2/1721; B14J 2/17503; B14J  
 2/175013; B14J 2/1752; B14J 2/17523;  
 B14J 2/17553; B14J 2/17556; B14J  
 2/185; B14J 29/377

See application file for complete search history.

(56) **References Cited**

U.S. PATENT DOCUMENTS

D195,010 S \* 4/1963 Reick ..... D18/40  
 D526,351 S \* 8/2006 Yamamoto ..... D18/55

*Primary Examiner* — Cathron Brooks

*Assistant Examiner* — Andrew Nemeth

(74) *Attorney, Agent, or Firm* — NSIP Law

(57) **CLAIM**

We claim the ornamental design for a multi-function printer, as shown and described.

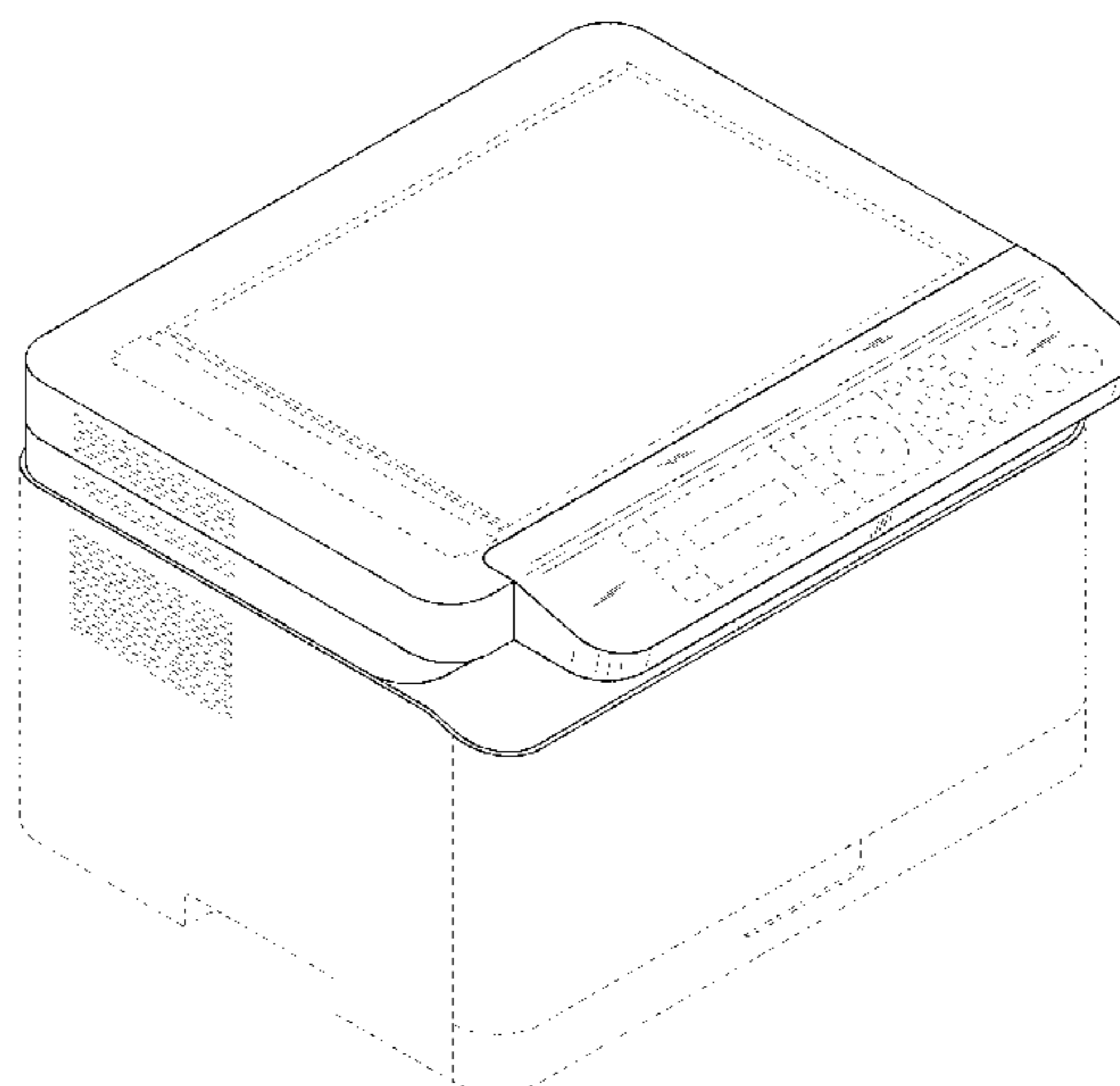
**DESCRIPTION**

FIG. 1 is a front perspective view of a multi-function printer showing our new design;  
 FIG. 2 is a front view thereof;  
 FIG. 3 is a rear view thereof;  
 FIG. 4 is a left-side view thereof;  
 FIG. 5 is a right-side view thereof;  
 FIG. 6 is a top view thereof; and,  
 FIG. 7 is a bottom view thereof.

The broken lines illustrating portions of the multi-function printer are for environmental purposes only and form no part of the claimed design.

The front side of the multi-function printer coincides with the bottom side of the drawing and the rear side of the multi-function printer coincides with the top side of the drawing in FIG. 7.

**1 Claim, 5 Drawing Sheets**



(56)

**References Cited**

U.S. PATENT DOCUMENTS

D726,250	S *	4/2015	Kim	.....	D18/55
D726,251	S *	4/2015	Kim	.....	D18/55
D742,960	S *	11/2015	Lee	.....	D18/50
D763,351	S *	8/2016	Lee	.....	D18/56
D767,676	S *	9/2016	So	.....	D18/56
D769,967	S *	10/2016	Kim	.....	D18/55
D769,968	S *	10/2016	So	.....	D18/56
D771,184	S *	11/2016	Yamashita	.....	D18/56
D780,839	S *	3/2017	Kim	.....	D18/55
D780,841	S *	3/2017	Kim	.....	D18/55
D782,568	S *	3/2017	Nishimura	.....	D18/55
2012/0134732	A1 *	5/2012	Okano	.....	B41J 3/60 400/611
2013/0135645	A1 *	5/2013	Horiguchi	.....	G06K 15/02 358/1.13

\* cited by examiner

FIG.1

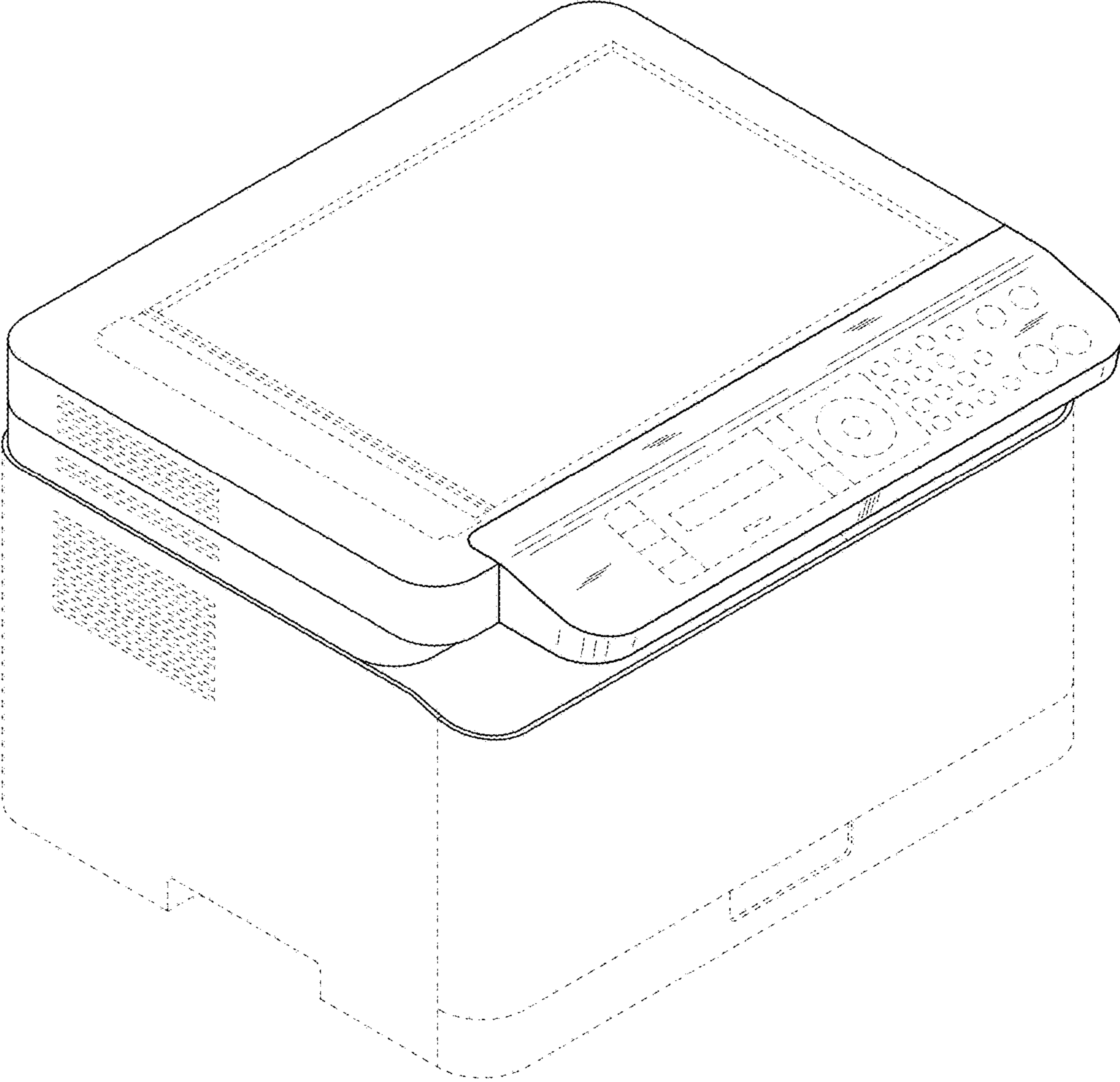


FIG.2

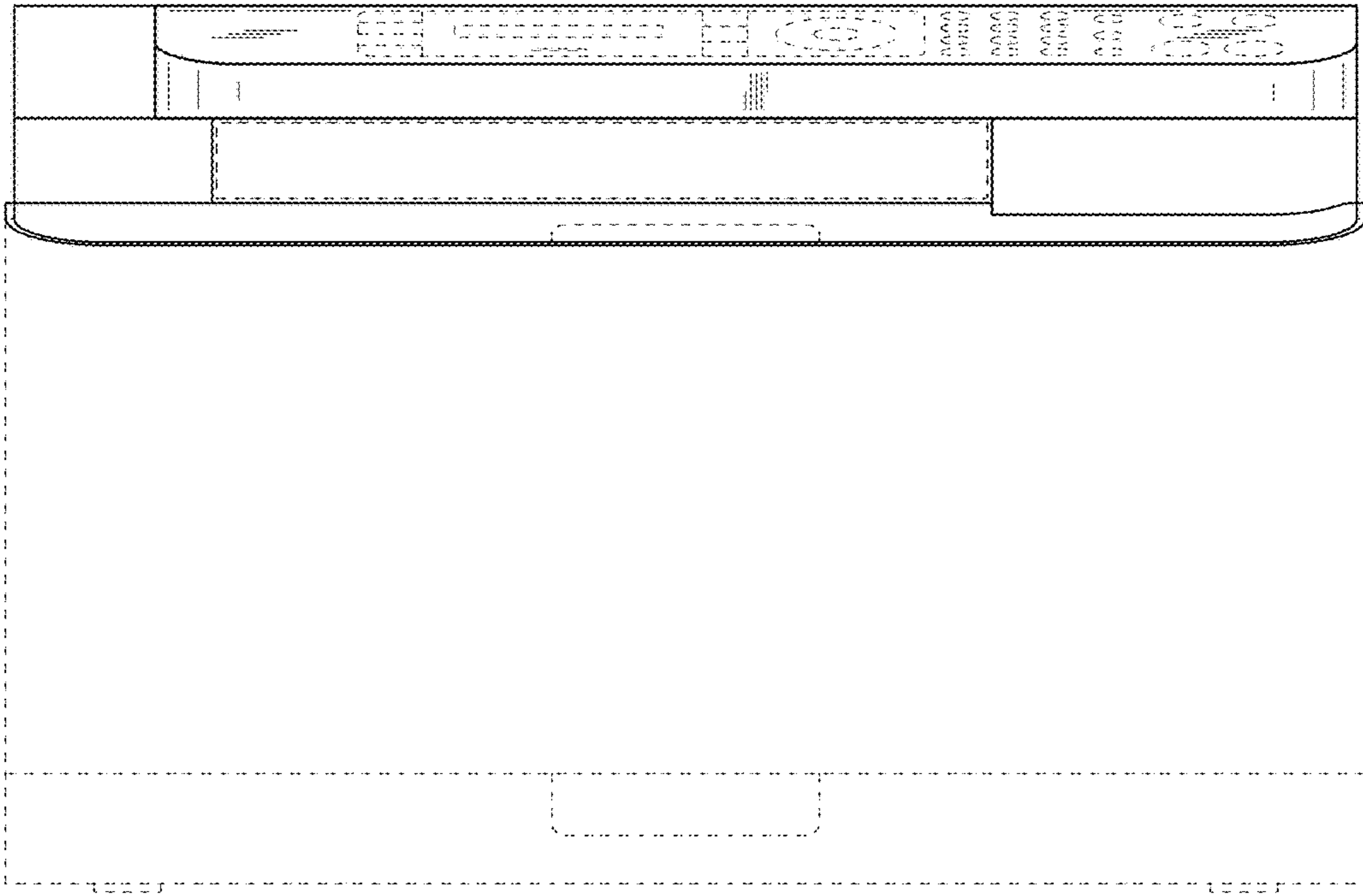


FIG.3

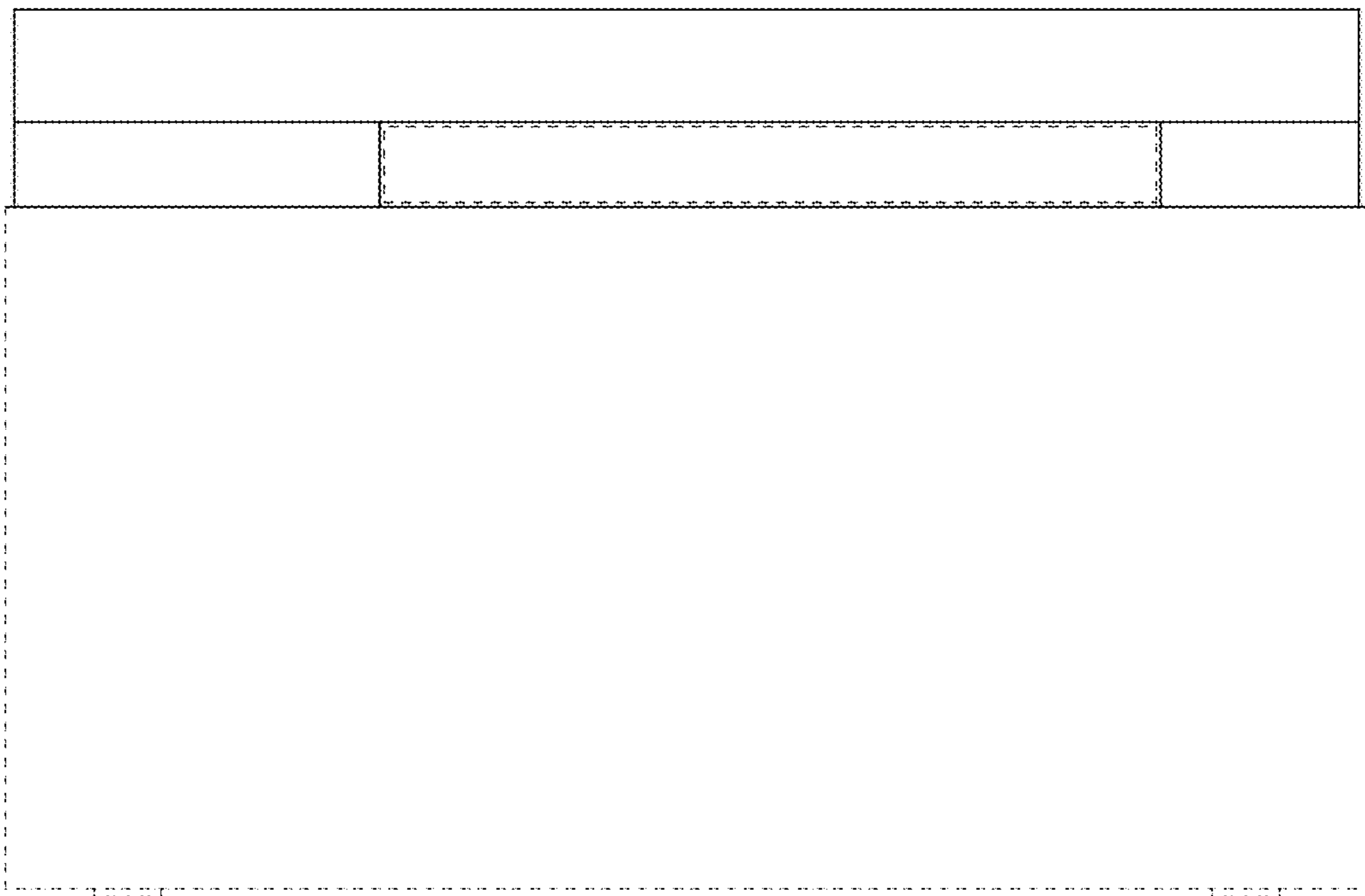


FIG.4

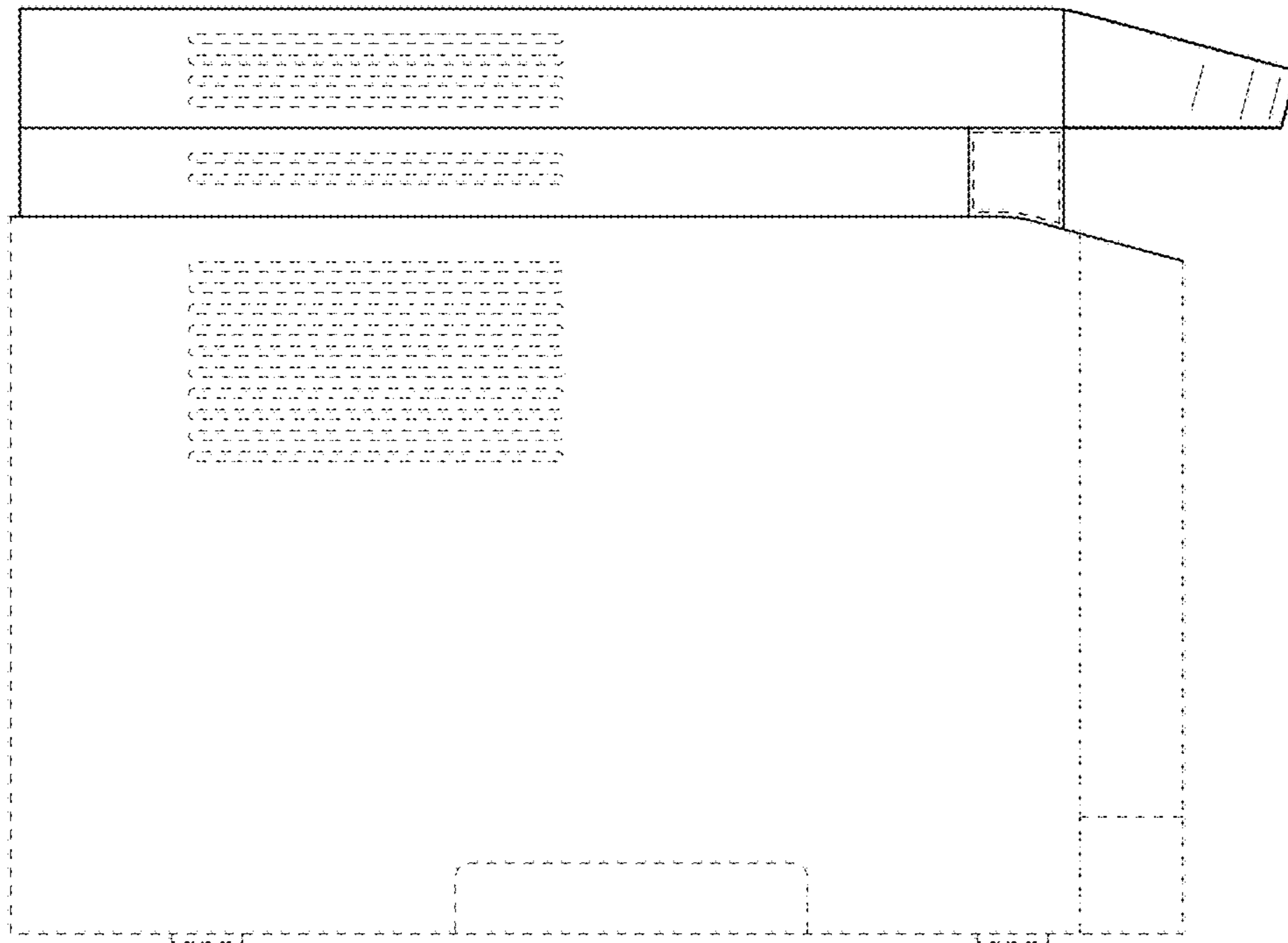


FIG.5

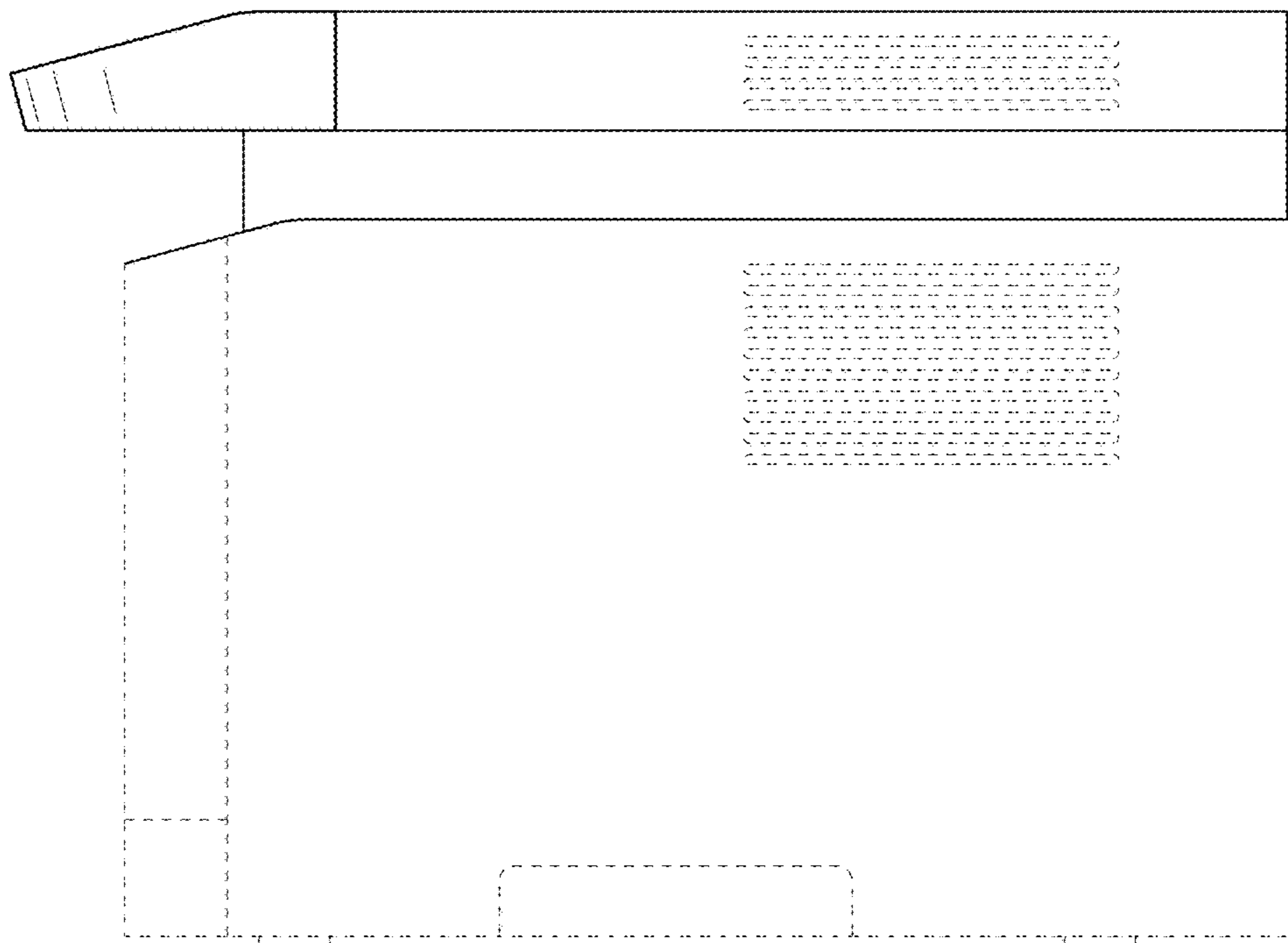


FIG.6

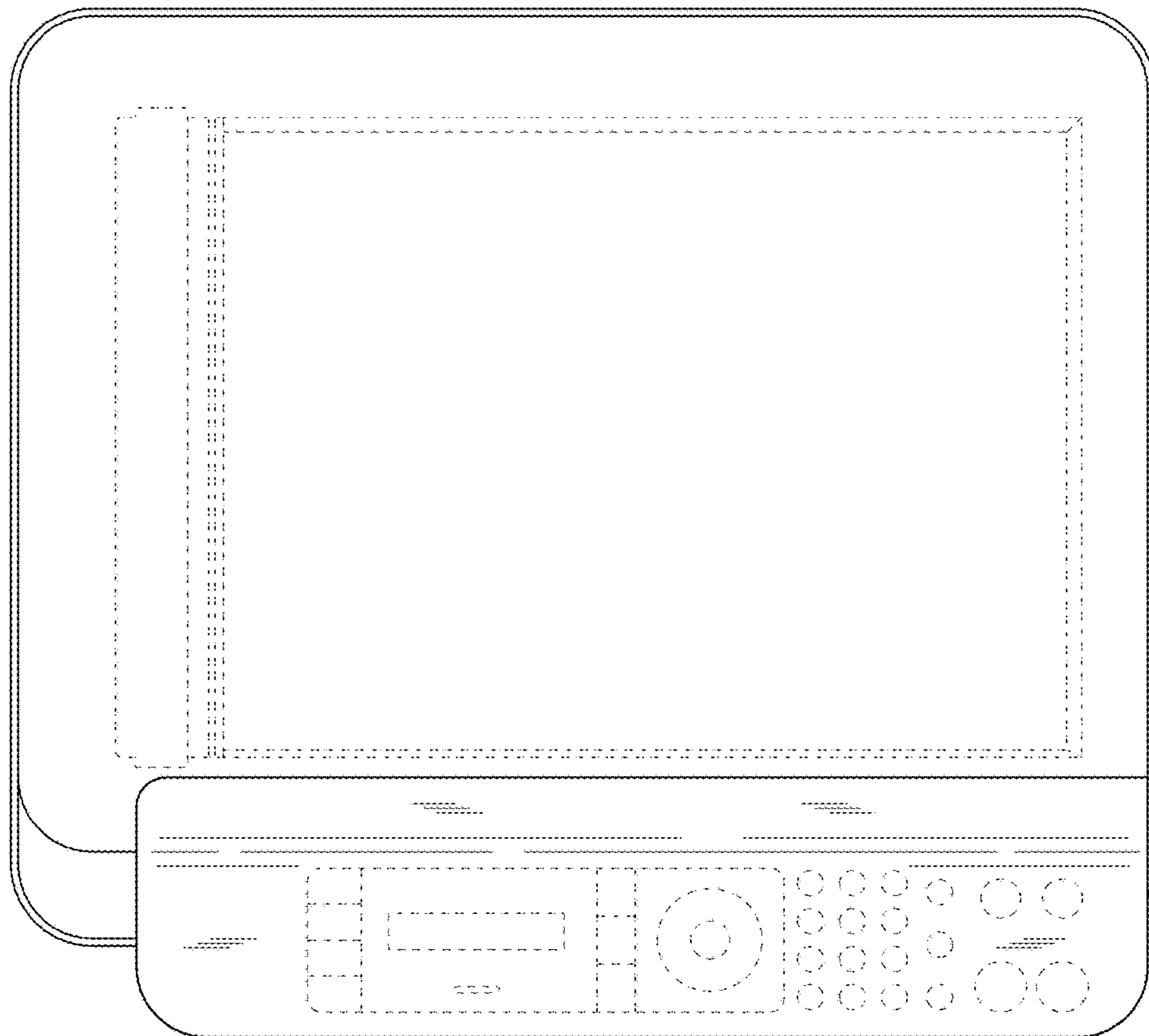


FIG.7

