



US00D799591S

(12) **United States Design Patent** (10) **Patent No.:** **US D799,591 S**  
**Kusanagi et al.** (45) **Date of Patent:** **\*\* Oct. 10, 2017**

(54) **PRINTER**

(71) Applicant: **Canon Kabushiki Kaisha**, Ohta-ku,  
Tokyo (JP)

(72) Inventors: **Takashi Kusanagi**, Akishima (JP);  
**Hiroki Nakanishi**, Tokyo (JP)

(73) Assignee: **Canon Kabushiki Kaisha**, Tokyo (JP)

(\*\*) Term: **15 Years**

(21) Appl. No.: **29/552,629**

(22) Filed: **Jan. 25, 2016**

(30) **Foreign Application Priority Data**

Jul. 30, 2015 (JP) ..... 2015-016975

(51) **LOC (10) Cl.** ..... **18-02**

(52) **U.S. Cl.**  
USPC ..... **D18/53**

(58) **Field of Classification Search**  
USPC ..... D18/53, 50, 54, 56, 59, 36, 38, 39, 40,  
D18/41, 45, 34.4, 34.5, 34.6; D14/301,  
D14/307

CPC .... G06K 15/12; G06K 15/14; H04N 1/00204;  
H04N 1/00249; H04N 1/00278; B41J  
3/00; B41J 3/28; B41J 3/445; B41J 3/46  
See application file for complete search history.

(56) **References Cited**

**U.S. PATENT DOCUMENTS**

D342,907 S *	1/1994	Kamatsuda	.....	D10/46
D400,917 S *	11/1998	Kajikawa	.....	D18/53
D408,848 S *	4/1999	Flores	.....	D18/53
D447,768 S	9/2001	Shiozaki et al.	.....	D18/53
D450,755 S *	11/2001	Gimenez	.....	D18/53
D475,083 S	5/2003	Kusanagi	.....	D18/50
D529,545 S *	10/2006	Kimura	.....	D18/53
D544,533 S *	6/2007	Moliner	.....	D18/53
D561,823 S *	2/2008	Morillo	.....	D18/53

D595,345 S *	6/2009	Yagi	.....	D18/53
D619,165 S *	7/2010	Sakurai	.....	D18/53
D643,463 S *	8/2011	Sakurai	.....	D18/53
D669,510 S *	10/2012	de la Hamayde	.....	D15/146
D700,608 S *	3/2014	Stange	.....	B41J 11/001 D14/421

(Continued)

**FOREIGN PATENT DOCUMENTS**

JP	D1543383	*	2/2016
JP	D1543556	*	2/2016
JP	D1543557	*	2/2016

**OTHER PUBLICATIONS**

YouTube. <URL: <https://youtu.be/umX7u7CITGo>>. Jun. 14, 2016.  
Canon Pro Series Large Format printers.\*

*Primary Examiner* — Bridget L Eland

*Assistant Examiner* — Lauren McVey

(74) *Attorney, Agent, or Firm* — Fitzpatrick, Cella,  
Harper & Scinto

(57) **CLAIM**

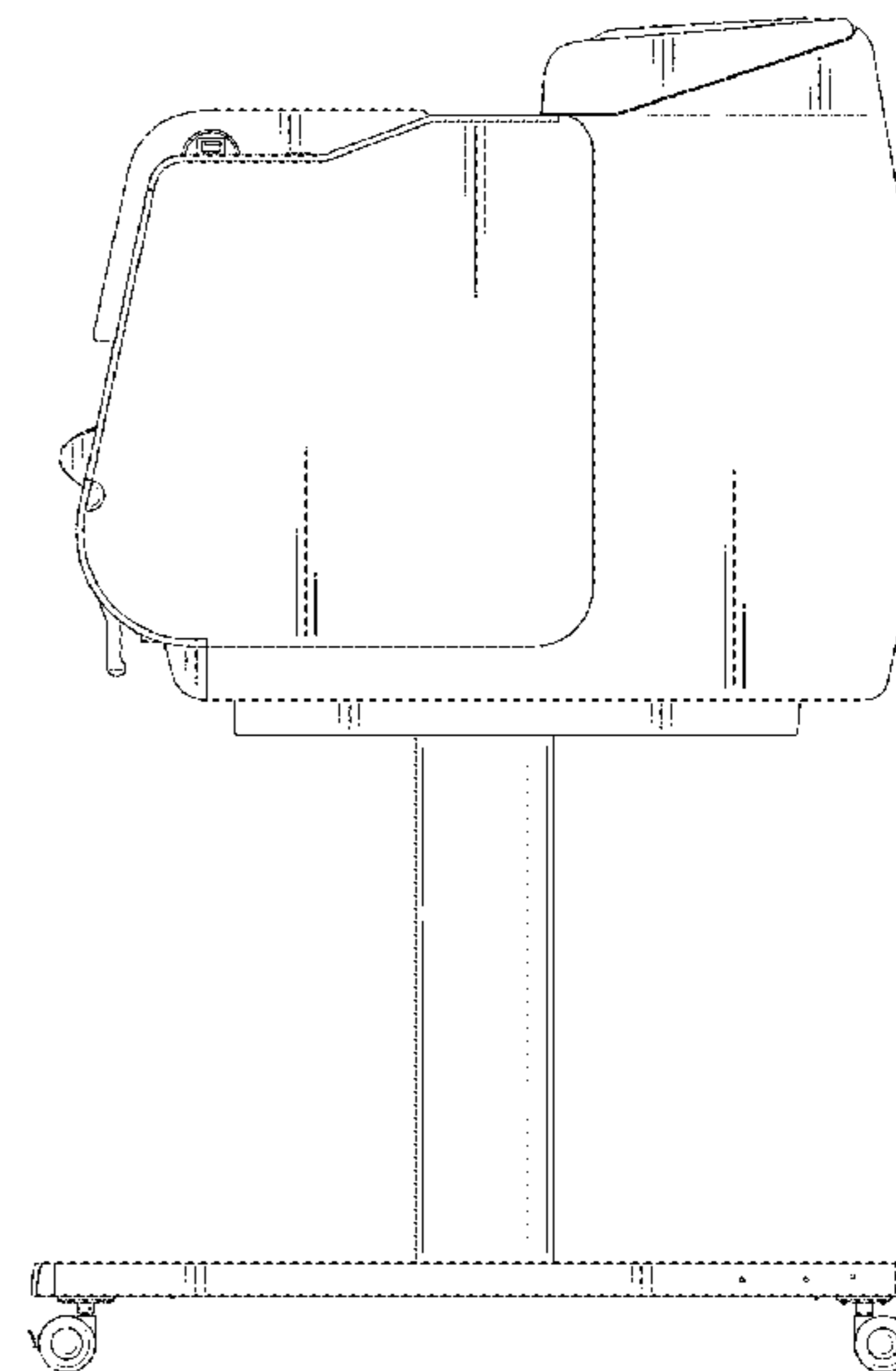
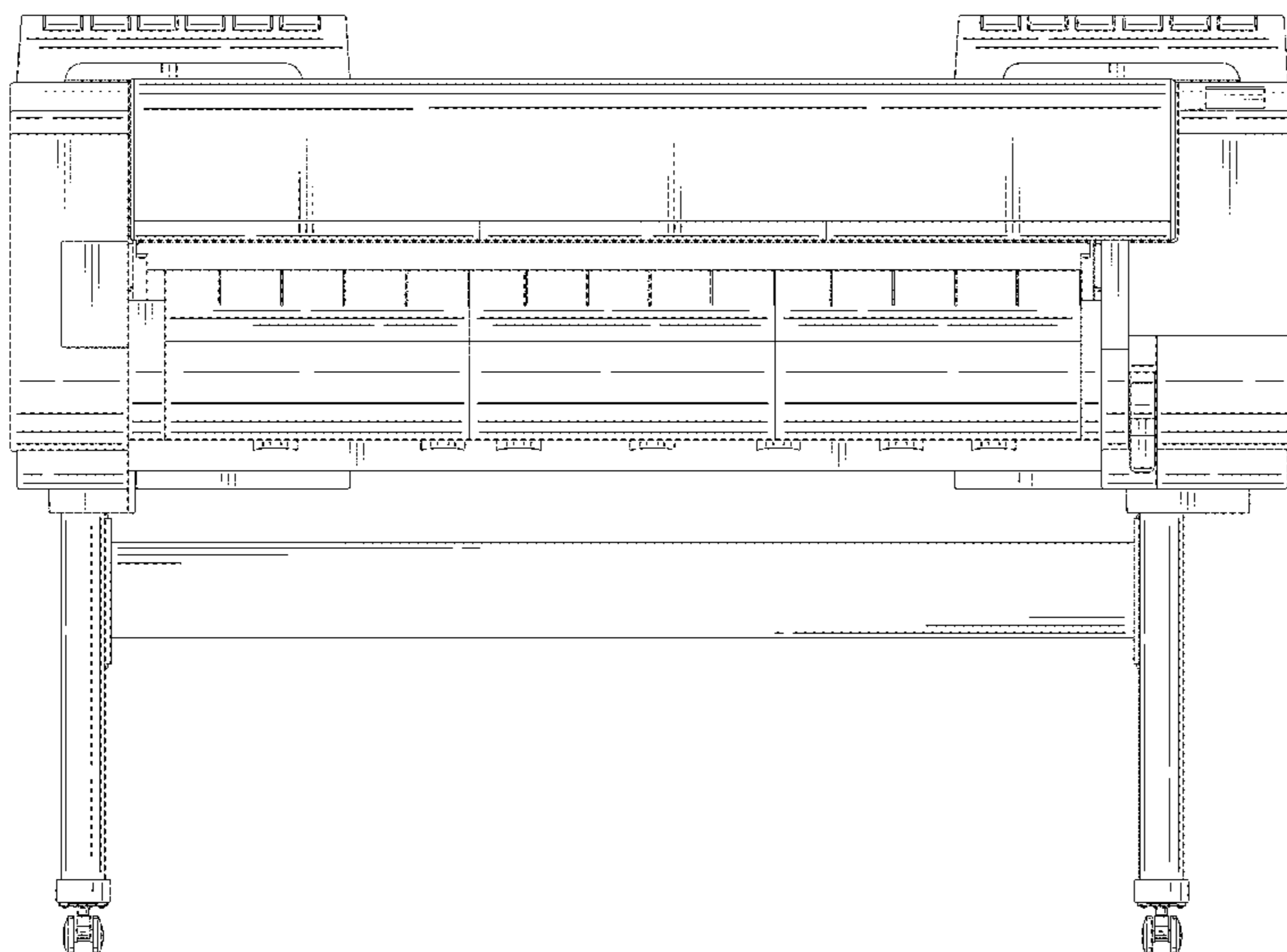
The ornamental design for a printer, as shown and described.

**DESCRIPTION**

FIG. 1 is a front view of a printer showing our new design;  
FIG. 2 is a rear view thereof;  
FIG. 3 is a top plan view thereof;  
FIG. 4 is a bottom plan view thereof;  
FIG. 5 is a left side view thereof;  
FIG. 6 is a right side view thereof; and,  
FIG. 7 is a perspective view thereof.

The broken lines immediately adjacent to the claim, encompassing unshaded regions, represent the bounds of the claimed design while all other broken lines are directed to environment; the broken lines form no part of the claimed design.

**1 Claim, 6 Drawing Sheets**



(56)

**References Cited**

U.S. PATENT DOCUMENTS

2007/0171269 A1\* 7/2007 Murase ..... B41J 29/08  
347/108

\* cited by examiner

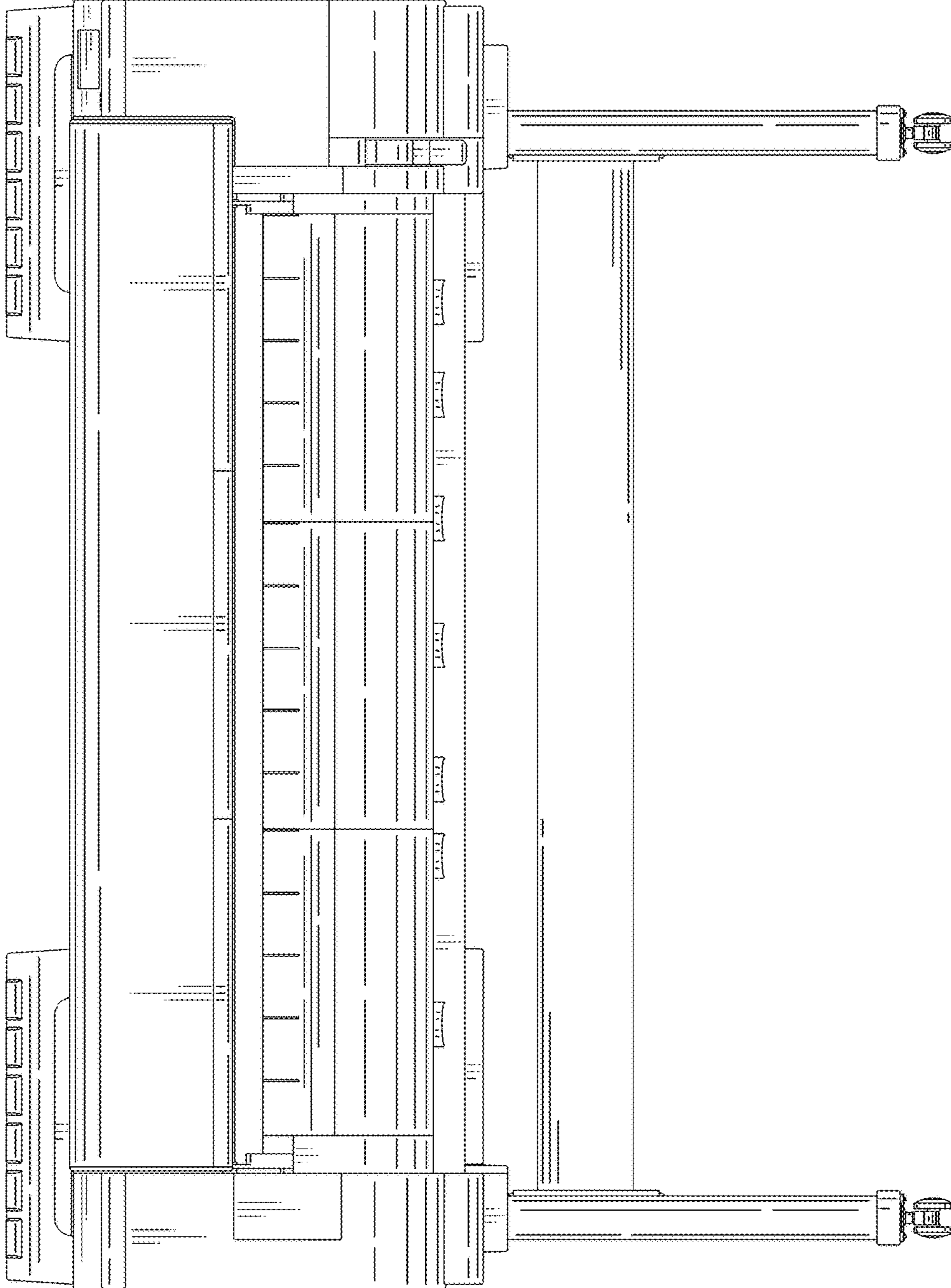


FIG. 1

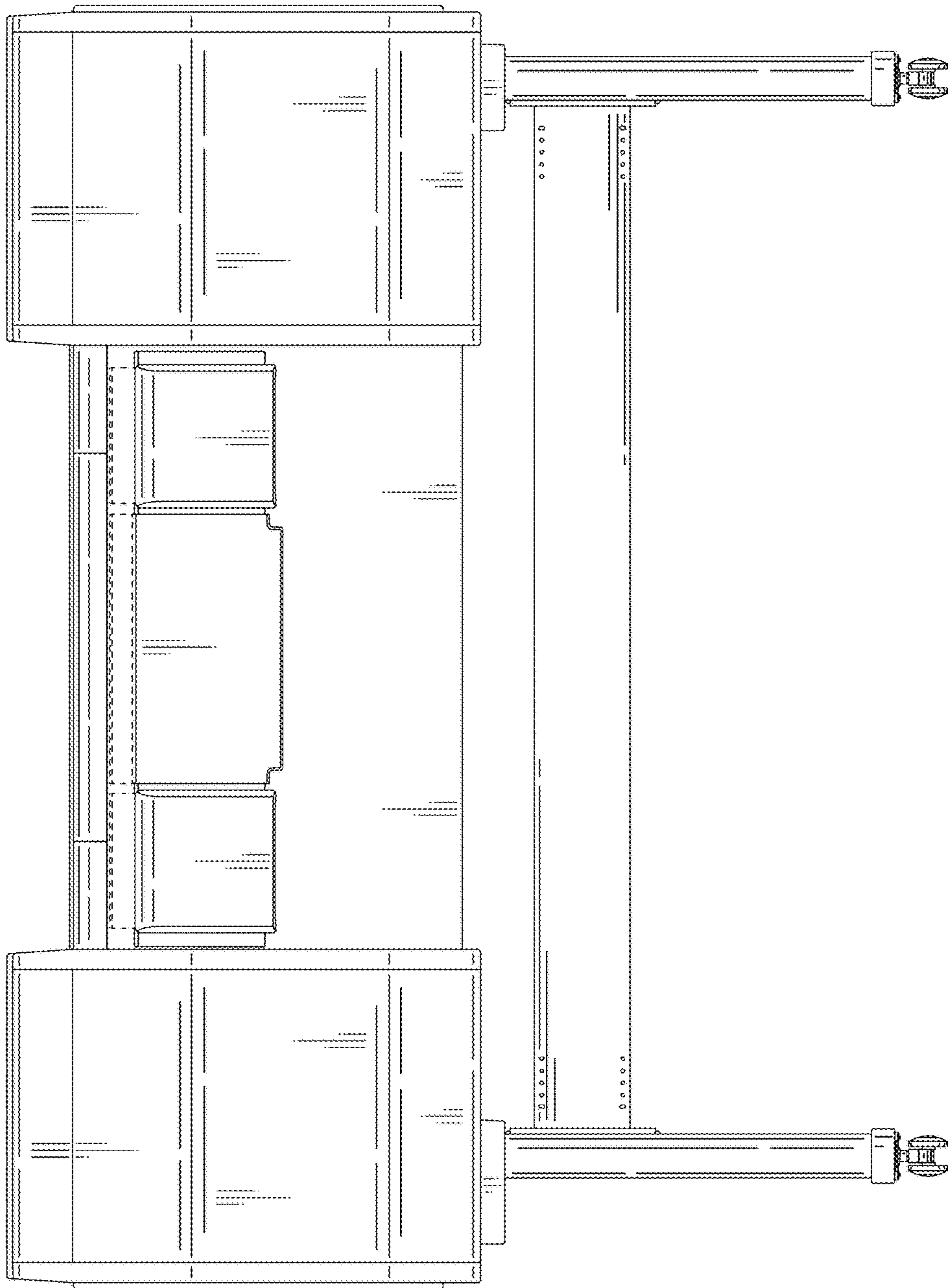


FIG. 2

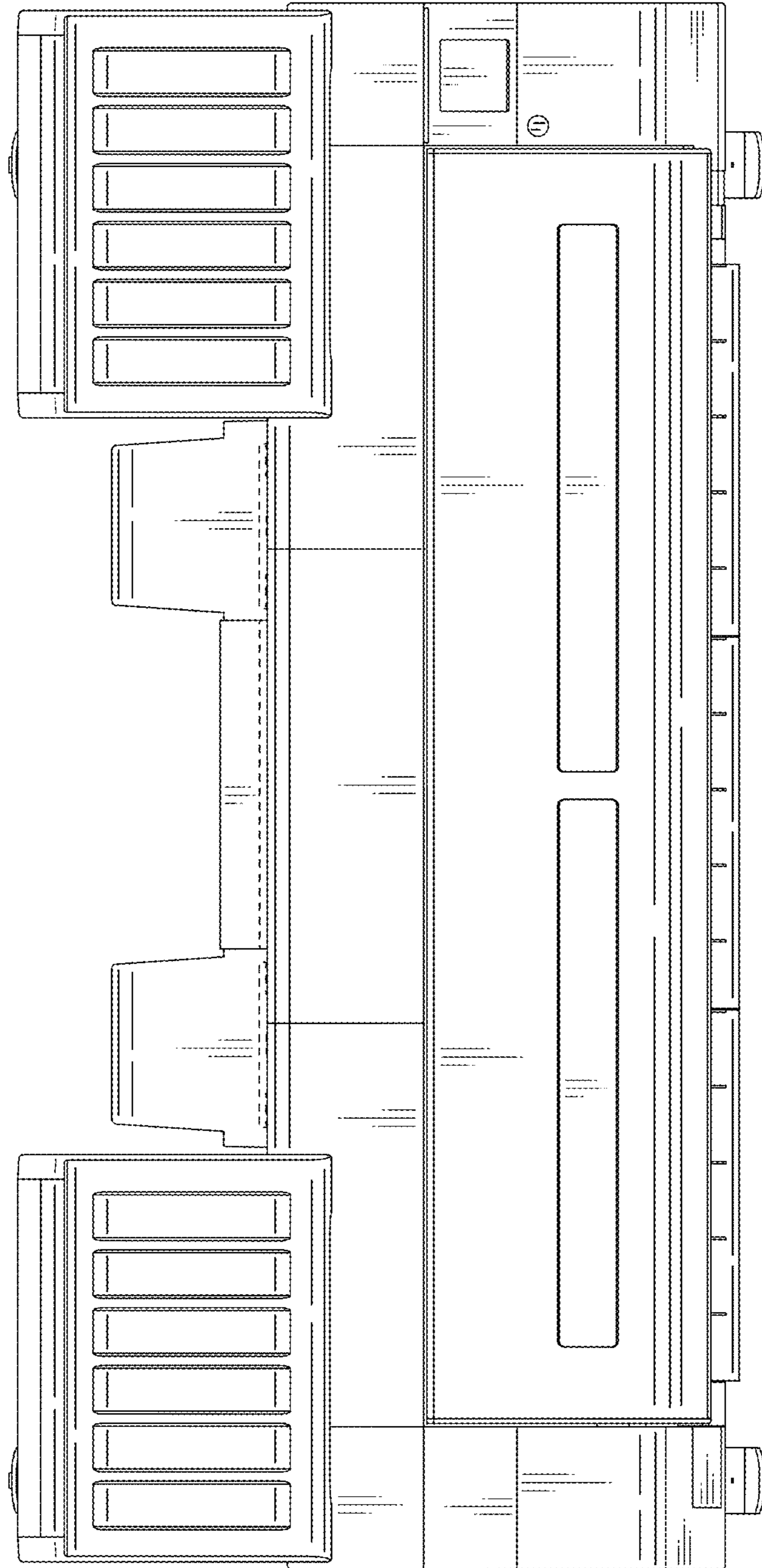


FIG. 3

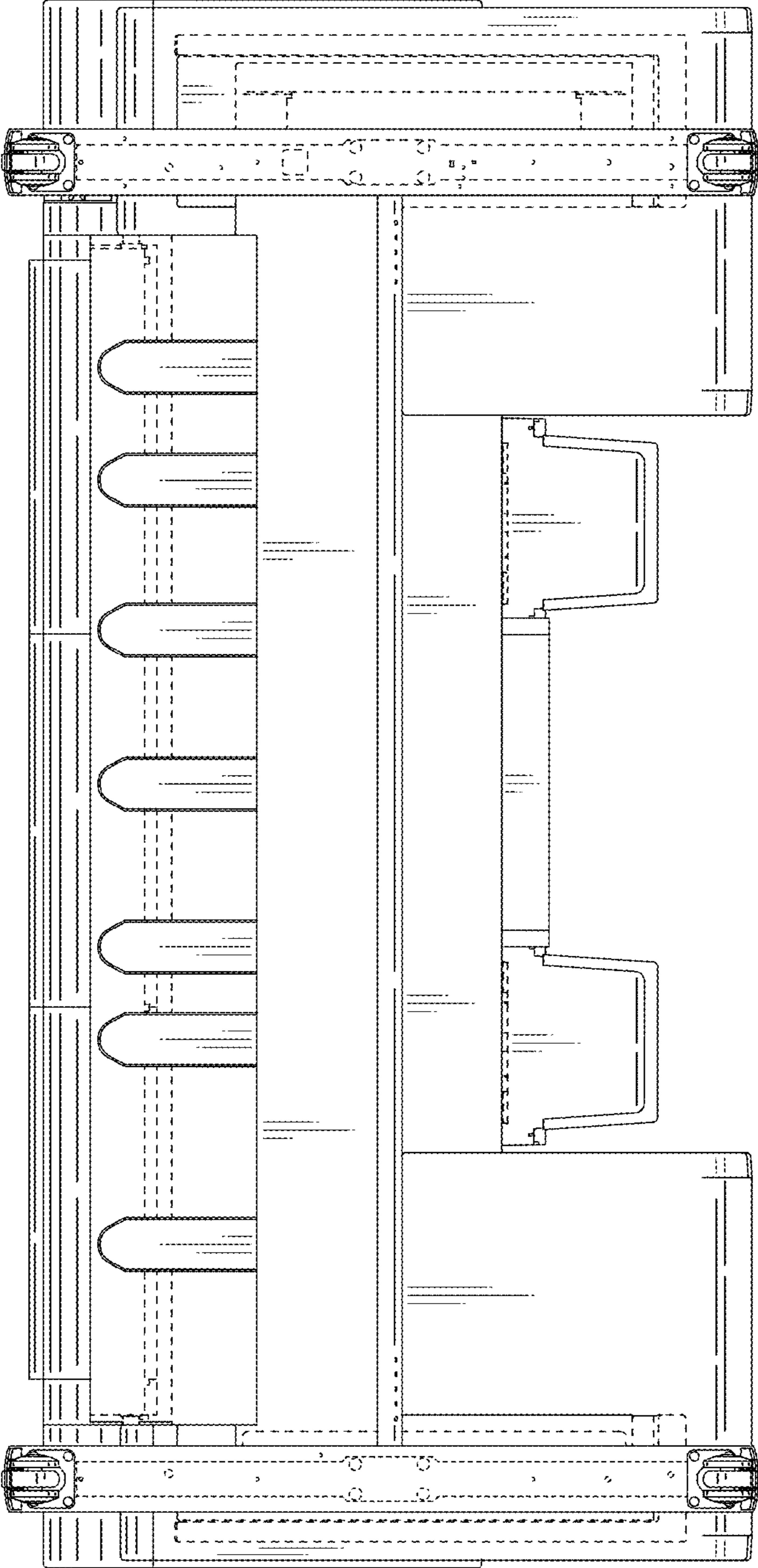


FIG. 4

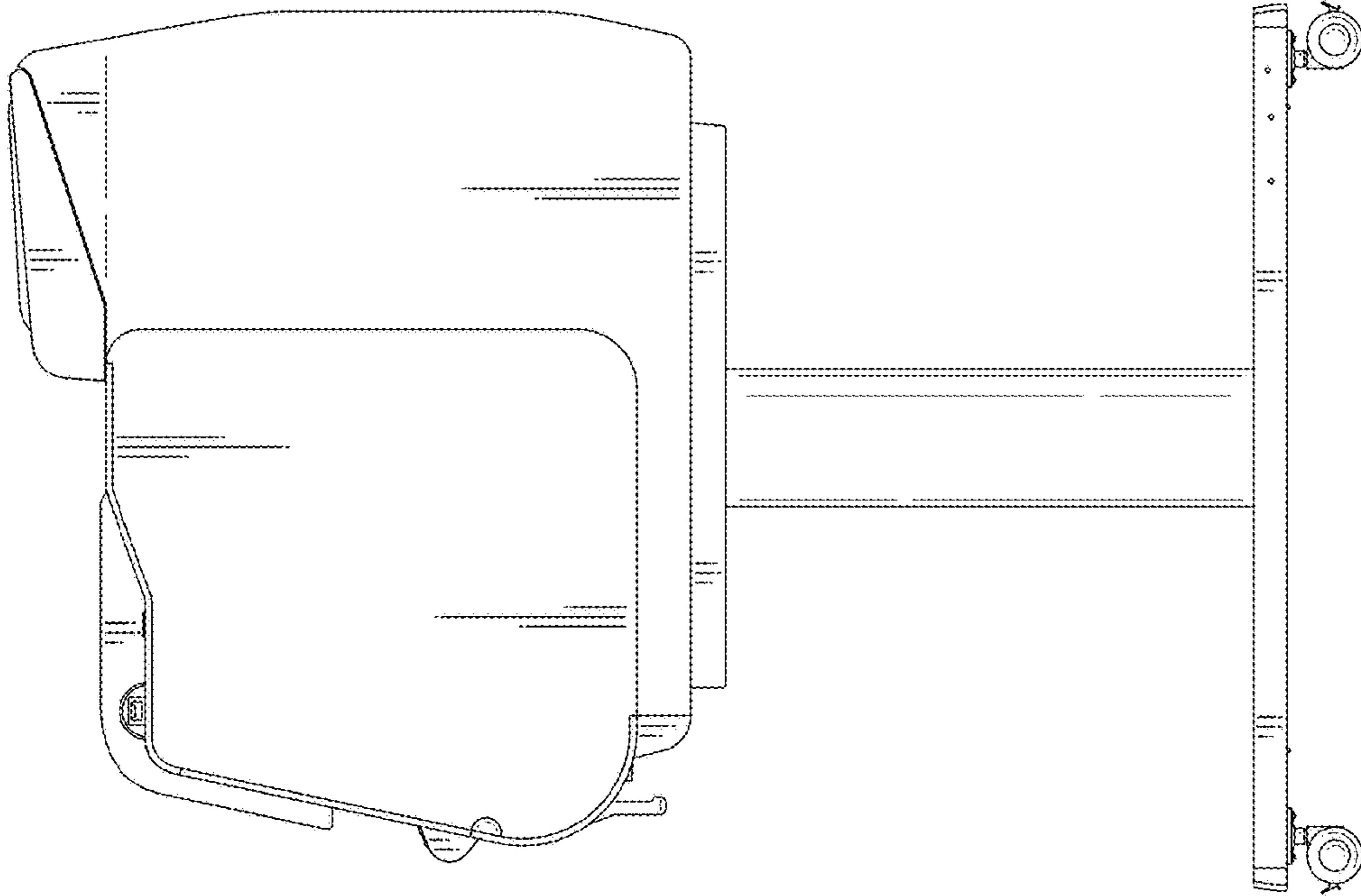


FIG. 5

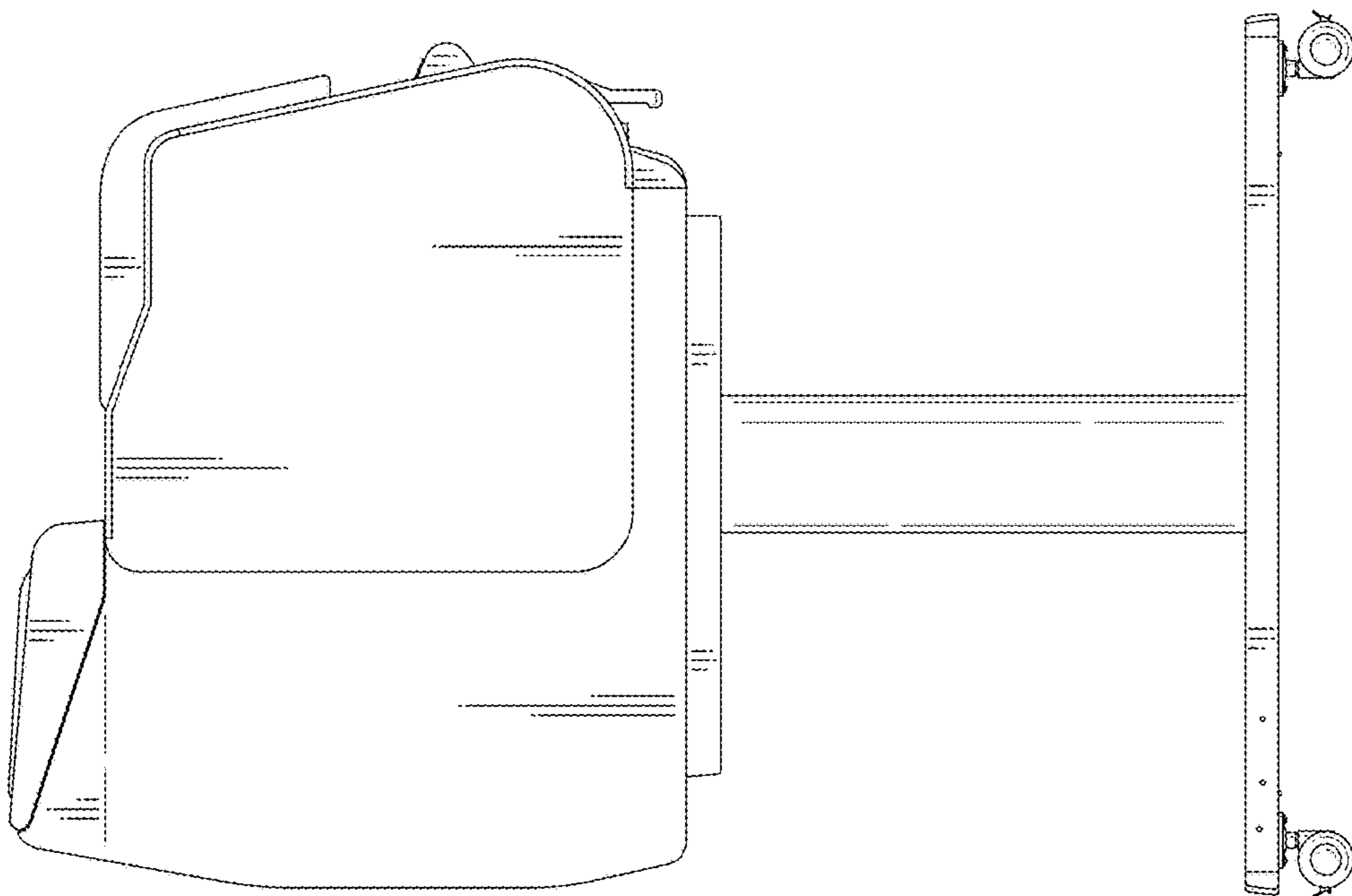


FIG. 6

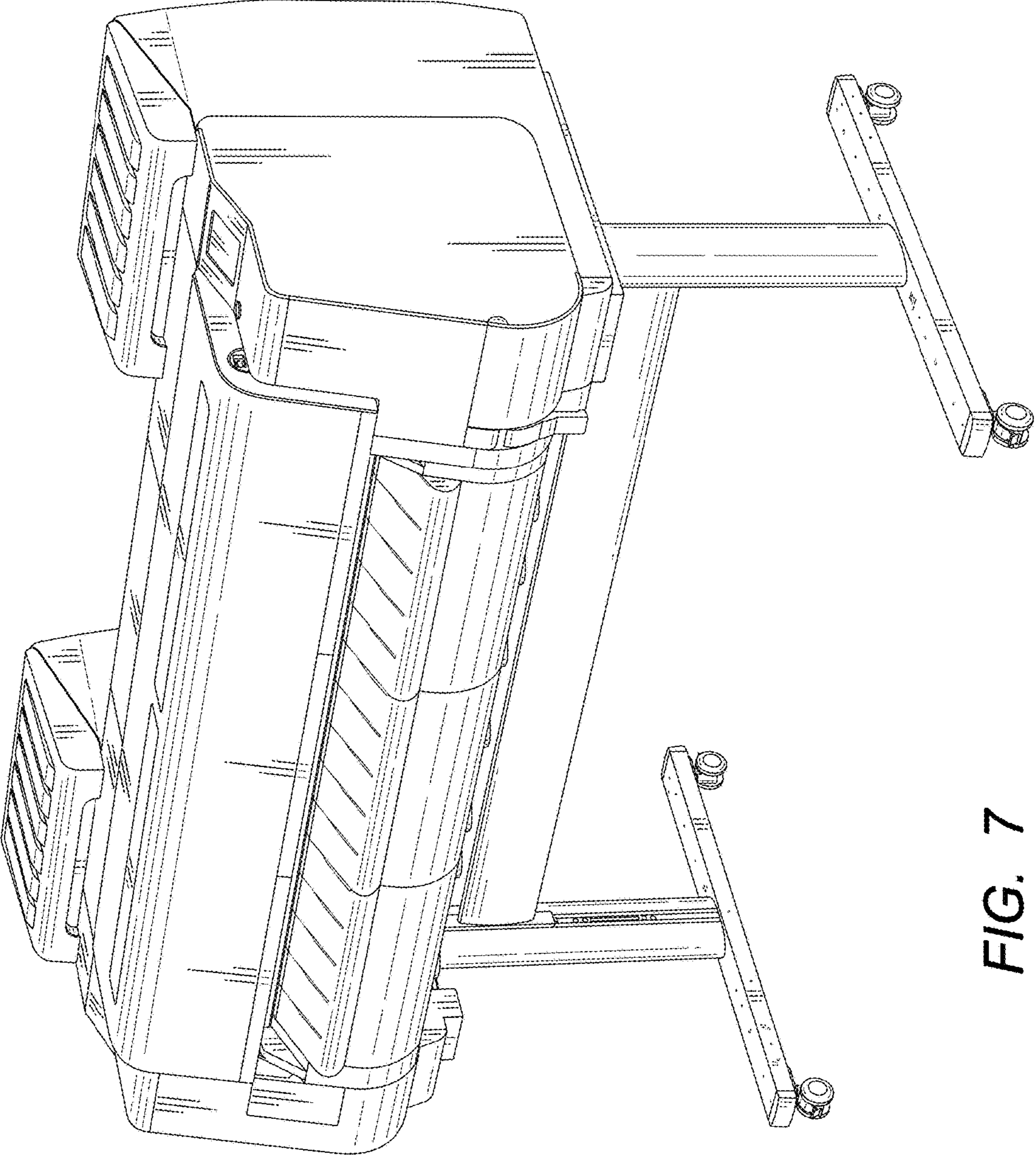


FIG. 7