



US00D799589S

(12) **United States Design Patent**  
**Maeda et al.**

(10) **Patent No.:** **US D799,589 S**  
(45) **Date of Patent:** **\*\* Oct. 10, 2017**

(54) **LABEL PRINTER**

11/0205; B65C 11/021; B65C 11/046;  
B65C 11/06

See application file for complete search history.

(71) Applicant: **BROTHER INDUSTRIES, LTD.**,  
Nagoya-shi, Aichi-ken (JP)

(56) **References Cited**

(72) Inventors: **Shino Maeda**, Nagoya (JP); **Tomoyuki Nanno**, Nagoya (JP); **Nobuyuki Iwai**, Chita-gun (JP)

U.S. PATENT DOCUMENTS

D333,316 S \* 2/1993 Ishizawa ..... D18/55  
D351,152 S \* 10/1994 Liu ..... D14/385  
D425,547 S \* 5/2000 Ishiura ..... D18/19  
(Continued)

(73) Assignee: **BROTHER INDUSTRIES, LTD.**,  
Nagoya-shi (JP)

FOREIGN PATENT DOCUMENTS

(\*\*) Term: **15 Years**

CN 302423960 \* 5/2013  
CN WO 2016197495 A1 \* 12/2016  
(Continued)

(21) Appl. No.: **29/574,476**

OTHER PUBLICATIONS

(22) Filed: **Aug. 16, 2016**

YouTube. <URL: <https://www.youtube.com/watch?v=ZR-Hc912oEQ>> Feb. 17, 2017. Brother portable label printer model comparisons.\*

(30) **Foreign Application Priority Data**

Feb. 23, 2016 (JP) ..... 2016-003831

(Continued)

(51) **LOC (10) Cl.** ..... **18-99**

*Primary Examiner* — Bridget L Eland

(52) **U.S. Cl.**

*Assistant Examiner* — Lauren McVey

USPC ..... **D18/19**

(74) *Attorney, Agent, or Firm* — Oliff PLC

(58) **Field of Classification Search**

USPC ..... D18/50, 14, 19, 54, 36-37; D19/68;  
D14/314, 332, 348-349, 351, 352

(57) **CLAIM**

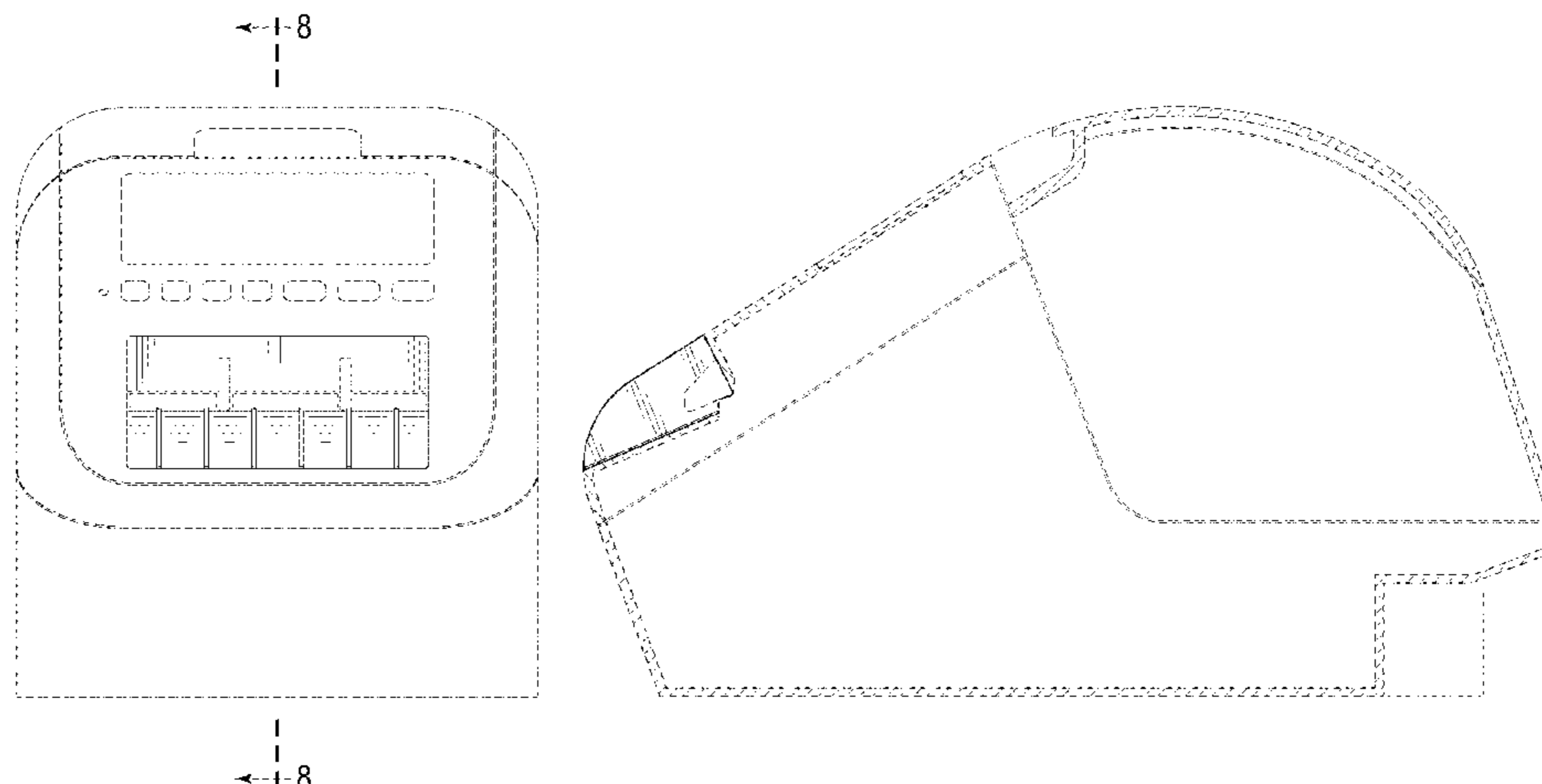
The ornamental design for a label printer, as shown and described.

CPC .... B41J 3/4075; B65C 11/00; B65C 11/0215;  
B65C 11/0221; B65C 11/0226; B65C  
11/0231; B65C 11/0236; B65C 11/0242;  
B65C 11/0252; B65C 11/0257; B65C  
11/0268; B65C 11/0273; B65C 11/0284;  
B65C 11/0289; B65C 11/0294; B65C  
11/04; B65C 11/062; B65C 11/064; B65C  
11/066; B65C 11/068; B65C 11/02; B65C

**DESCRIPTION**

FIG. 1 is a perspective view of a label printer;  
FIG. 2 is a front view thereof;  
FIG. 3 is a top view thereof;  
FIG. 4 is a right-side view thereof;  
FIG. 5 is a left-side view thereof;  
FIG. 6 is a rear view thereof;  
FIG. 7 is a bottom view thereof; and,  
FIG. 8 is a cross-sectional view taken in the direction of 8-8  
of FIG. 2.

(Continued)



The broken lines with a lighter line thickness are directed to environment while the broken lines with a heavier line thickness and broken line directional arrows in the FIG. 2 view are for reference purpose only in order to identify the cross sectional view of FIG. 8; the broken lines form no part of the claimed design.

**1 Claim, 7 Drawing Sheets**

(56)

**References Cited**

U.S. PATENT DOCUMENTS

D478,116	S	*	8/2003	Nakaeda	.....	D18/19
D527,043	S	*	8/2006	Borne	.....	D18/19
D542,337	S	*	5/2007	Nakata	.....	D18/19
D643,875	S	*	8/2011	Suzuki	.....	D18/55
D663,767	S	*	7/2012	Inada	.....	D18/19
D671,593	S	*	11/2012	Kinoshita	.....	D18/55
D701,898	S	*	4/2014	Nakata	.....	D18/50
D752,140	S	*	3/2016	Tanaka	.....	D18/19
D765,773	S	*	9/2016	Ozawa	.....	D18/14
D777,249	S	*	1/2017	Tanaka	.....	D18/19

FOREIGN PATENT DOCUMENTS

EP			2159064	A1	*	3/2010
JP			09254451	A	*	9/1997
WO			WO 2009155482	A2	*	12/2009

OTHER PUBLICATIONS

YouTube. <URL: <https://www.youtube.com/watch?v=NtR4PibyANg>> Oct. 18, 2010. Brother QL label printer.\*

\* cited by examiner

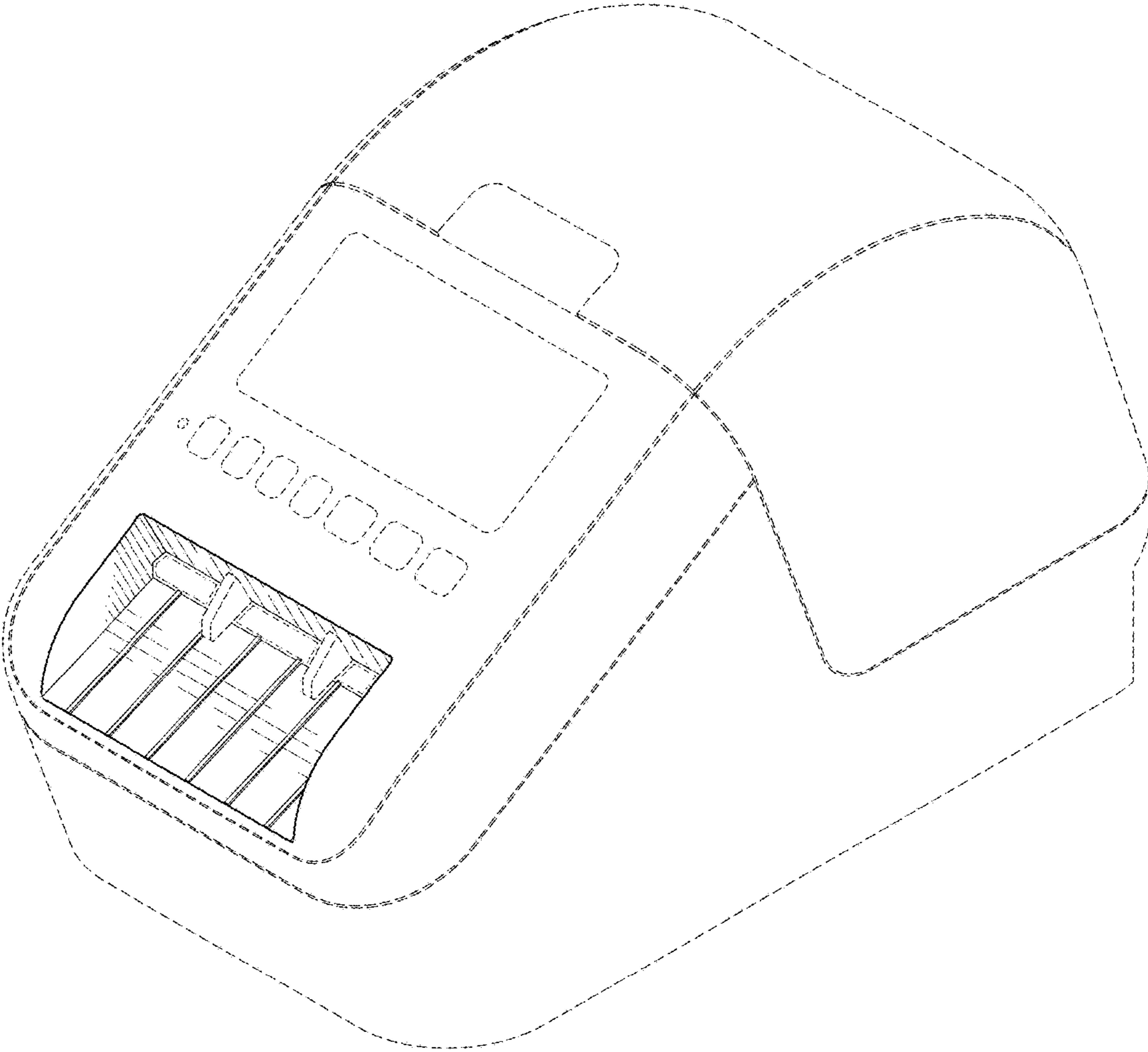


FIG. 1

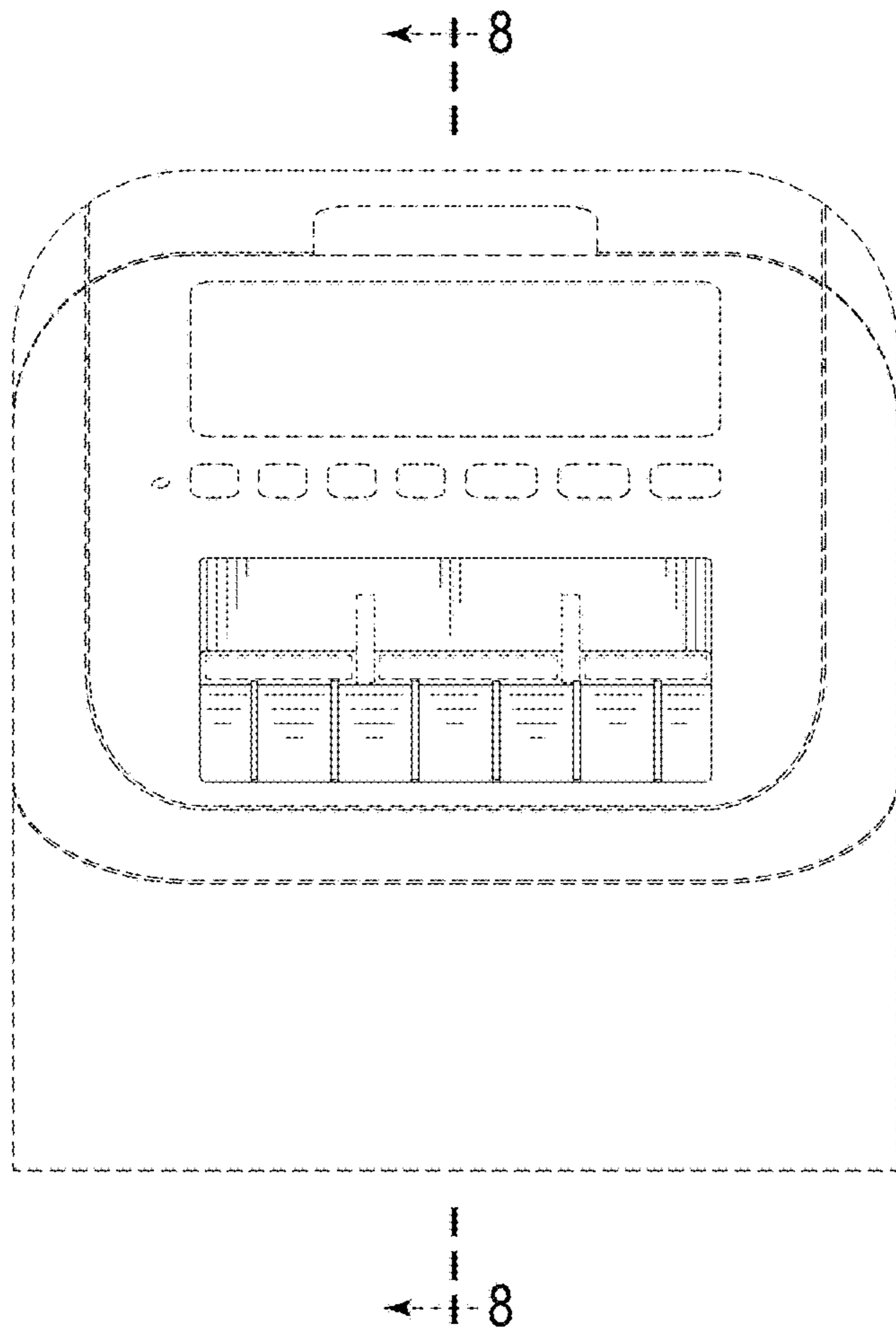


FIG. 2

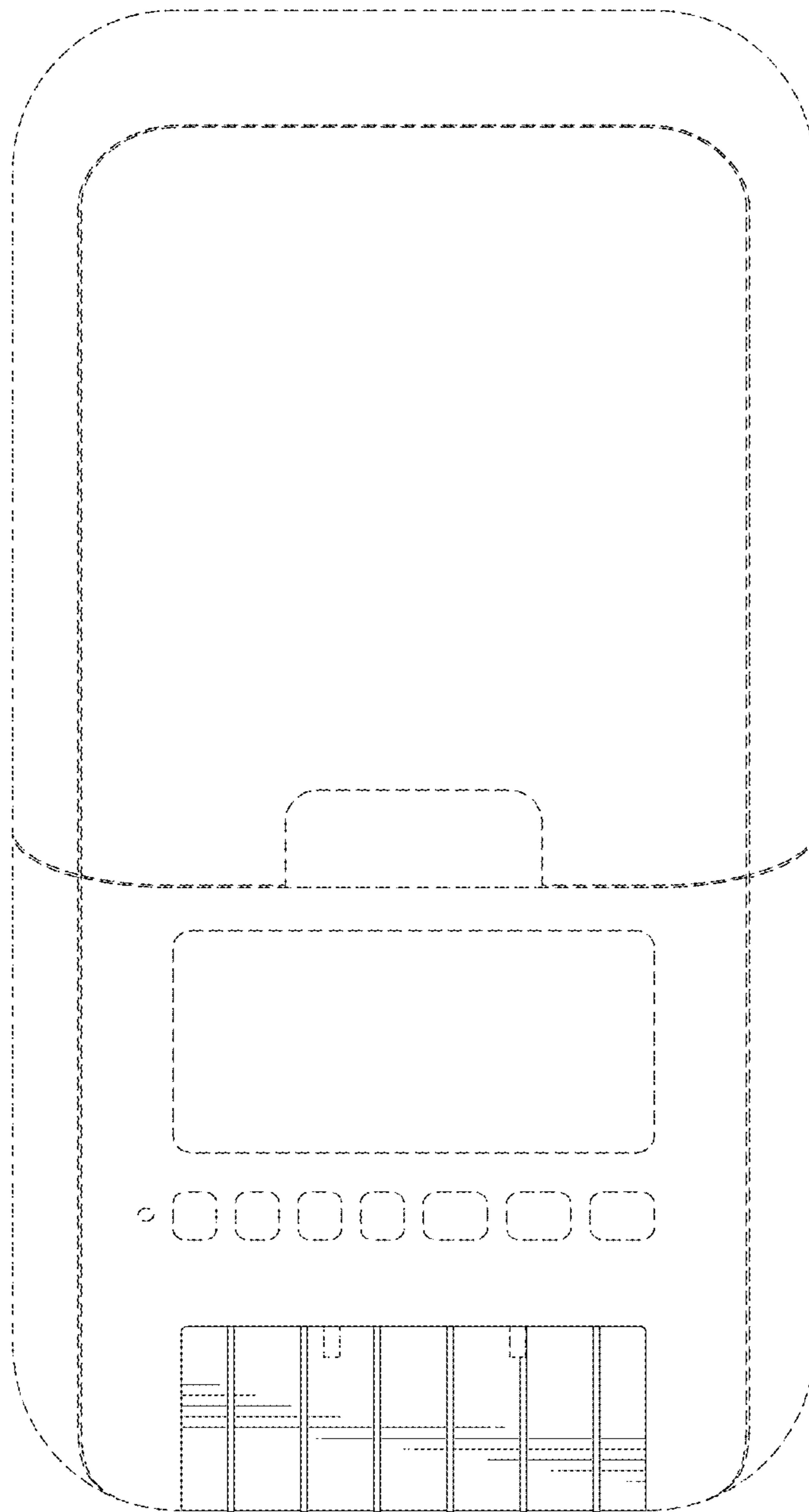


FIG. 3

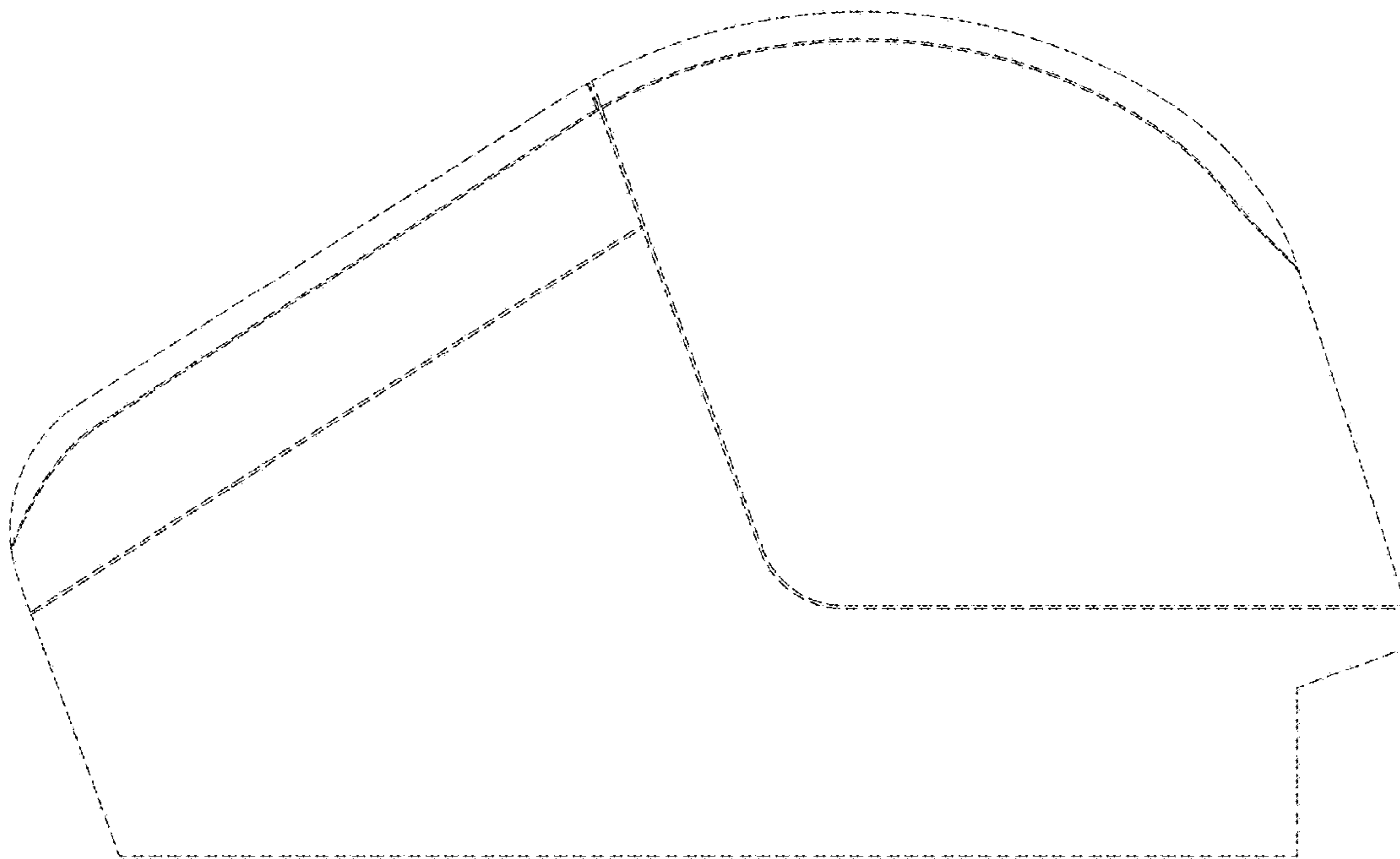


FIG. 4

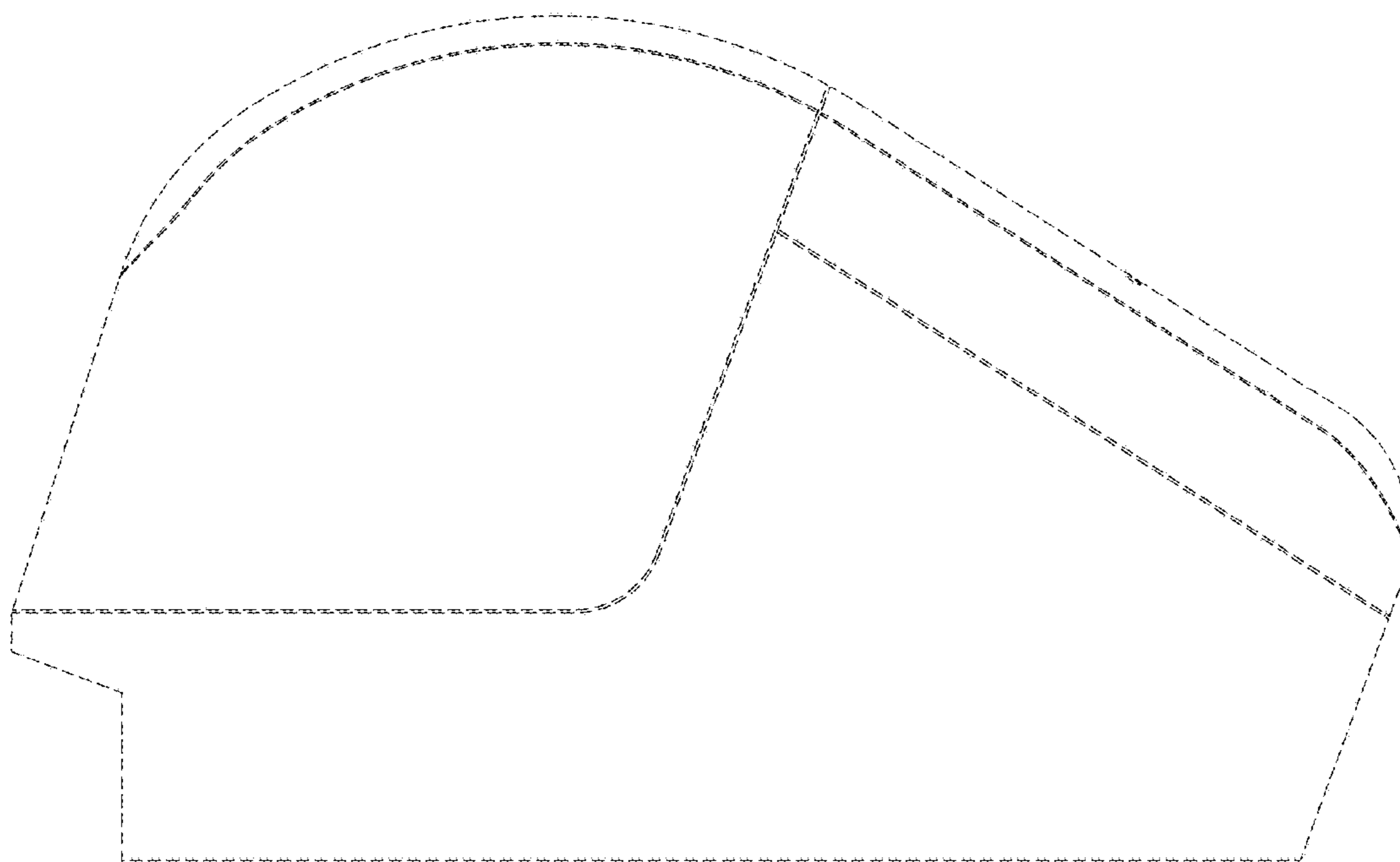


FIG. 5

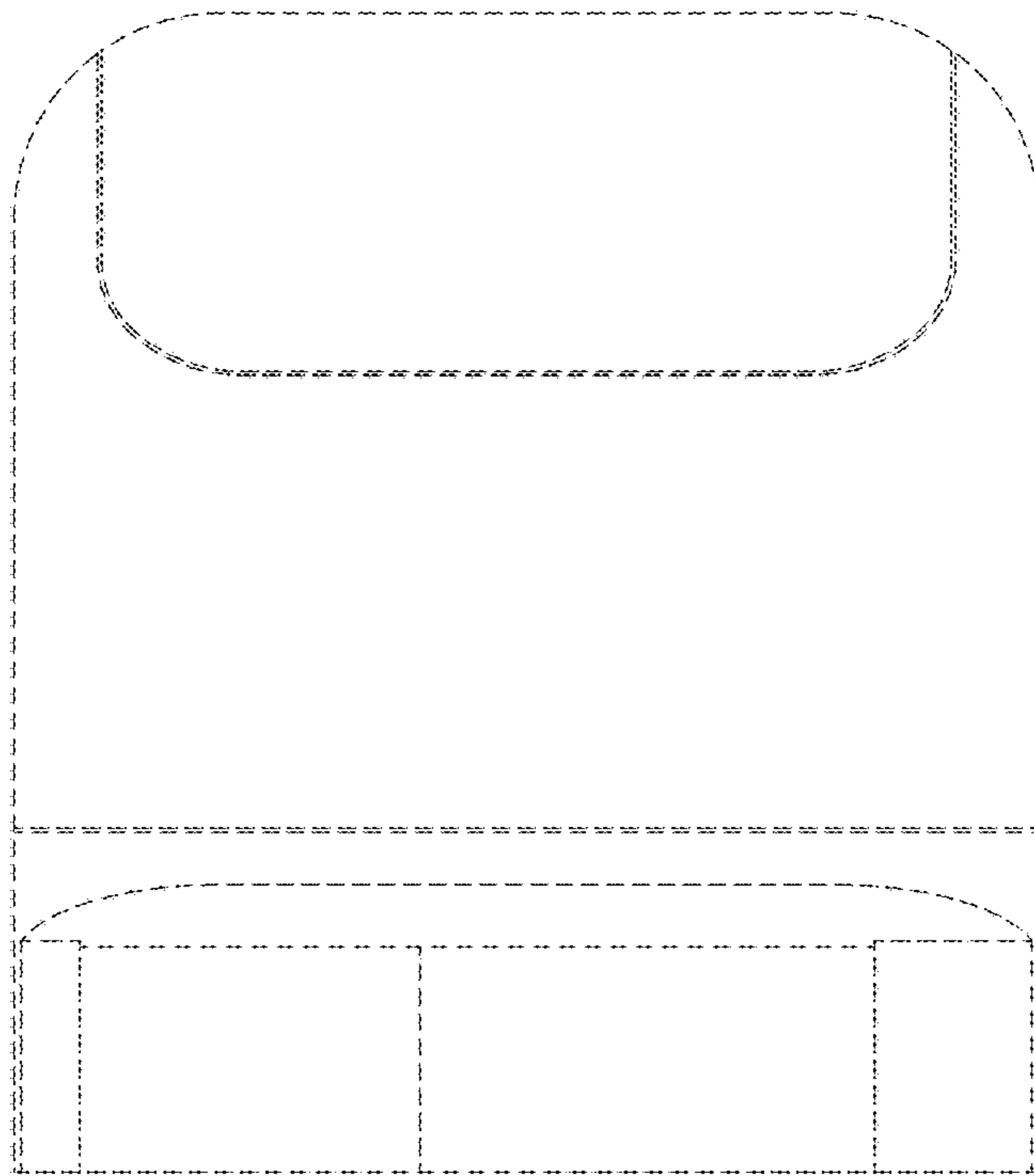


FIG. 6

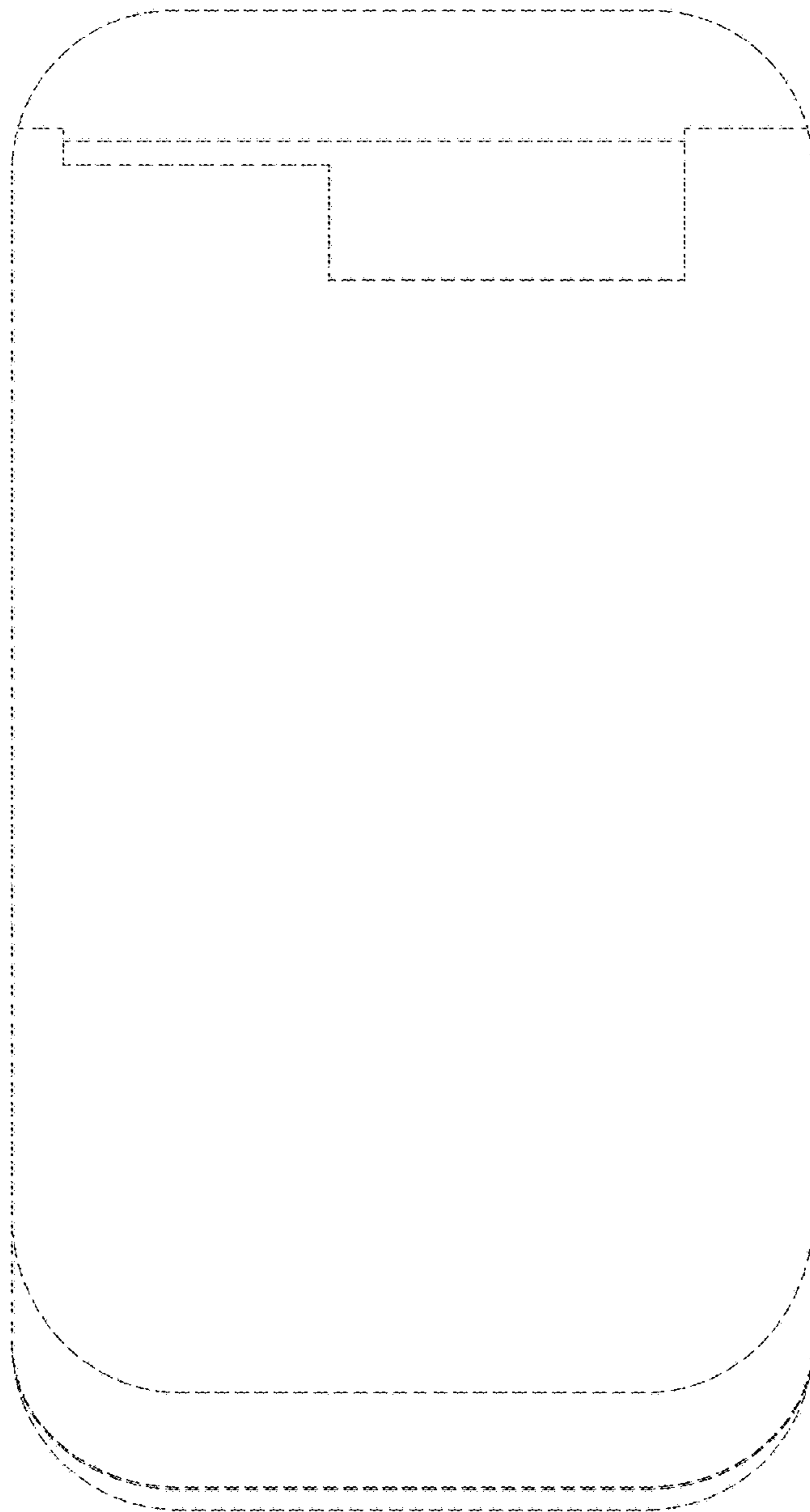


FIG. 7



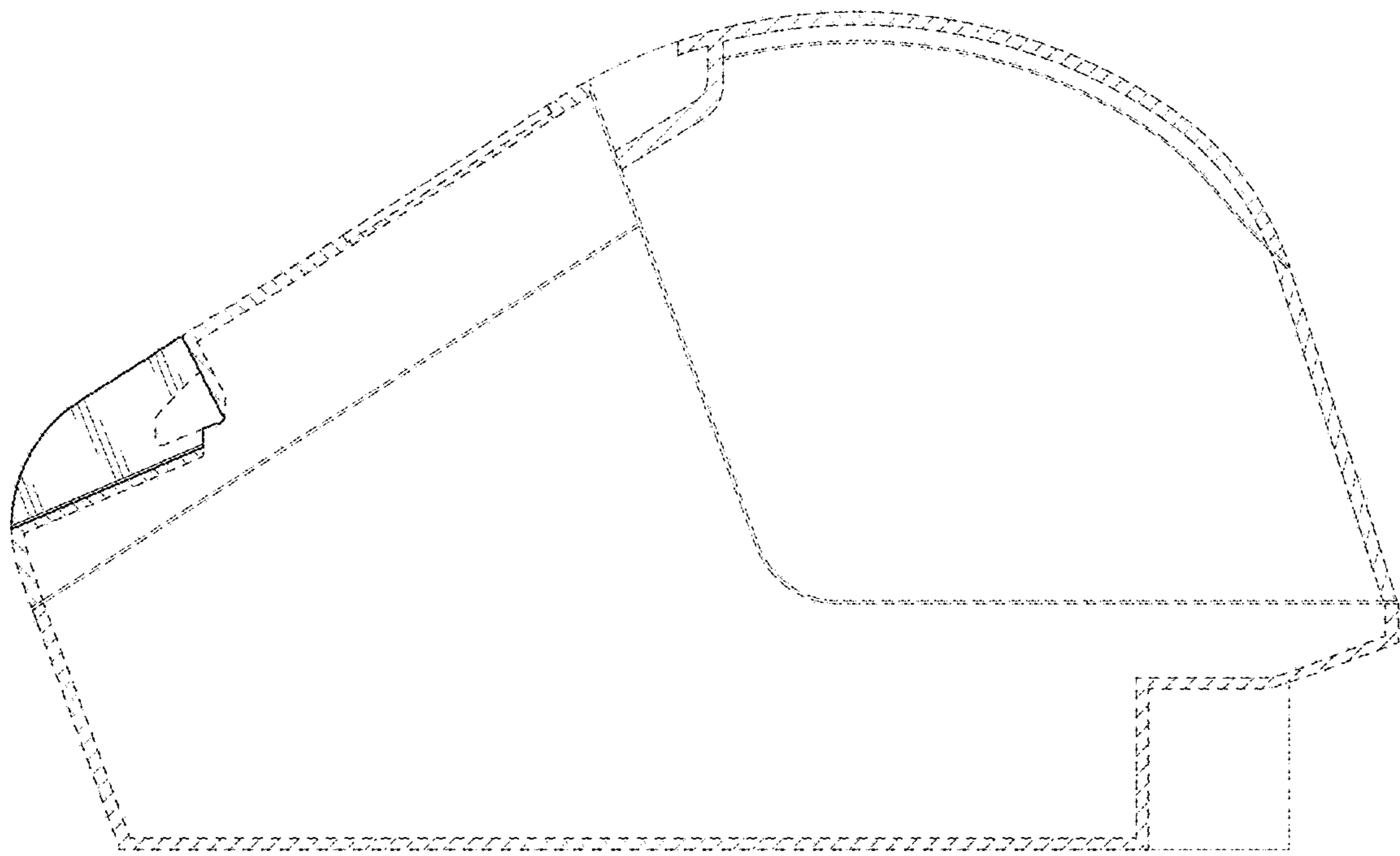


FIG. 8