



US00D799584S

(12) **United States Design Patent** (10) **Patent No.:** **US D799,584 S**
Chen (45) **Date of Patent:** **** Oct. 10, 2017**

(54) **SPECTACLES FRAME**

- (71) Applicant: **Chun-Nan Chen**, Tainan (TW)
- (72) Inventor: **Chun-Nan Chen**, Tainan (TW)
- (**) Term: **15 Years**
- (21) Appl. No.: **29/575,725**
- (22) Filed: **Aug. 29, 2016**
- (51) **LOC (10) Cl.** **16-06**
- (52) **U.S. Cl.**
USPC **D16/325**
- (58) **Field of Classification Search**
USPC D16/300, 309, 311-315, 319-322,
D16/325-330, 334, 335
CPC G02C 2202/16; G02C 7/10; G02C 7/104
See application file for complete search history.

(56) **References Cited**

U.S. PATENT DOCUMENTS

D491,975 S *	6/2004	Teng	D16/315
D508,068 S *	8/2005	Hsu	D16/315
D508,255 S *	8/2005	Wu	D16/315
D546,868 S *	7/2007	Teng	D16/314
D574,034 S *	7/2008	Chou	D16/315
D574,410 S *	8/2008	Chen	D16/315
D591,787 S *	5/2009	Yee	D16/314
D594,051 S *	6/2009	Chou	D16/315
D597,122 S *	7/2009	Daems	D16/315
D617,364 S *	6/2010	Chou	D16/314
D623,683 S *	9/2010	Rohrbach	D16/315
D631,906 S *	2/2011	Chen	D16/315
D653,696 S *	2/2012	Tao	D16/314
D674,433 S *	1/2013	Chen	D16/315
D683,785 S *	6/2013	Chen	D16/315
D728,666 S *	5/2015	Corcoran	D16/315
D731,580 S *	6/2015	Chou	D16/300
D757,156 S *	5/2016	Wu	D16/315
D759,148 S *	6/2016	Glynn	D16/300
D775,262 S *	12/2016	Chen	D16/315

OTHER PUBLICATIONS

Flash Safety Glasses, posted at uline.com, posting date not given, [online], [site visited May 25, 2017]. Available from Internet, <URL: <https://www.uline.com/Product/Detail/S17944C/SafetyGlasses/FlashSafetyGlassesClearLens>>.*

Oakley Men's Flak Jacket, posted at amazon.com, posting date May 3, 2013, [online], [site visited May 25, 2017]. Available from Internet, <URL: <https://www.amazon.com/gp/product/B00CG38HTU>>.*

Tifosi Veloce Wrap Sunglasses, posted at amazon.com, posting date Jun. 26, 2013, [online], [site visited May 25, 2017]. Available from Internet, <URL: <https://www.amazon.com/TifosiVeloce1040200115SunglassesMatte/dp/B00DNGG3LS>>.*

* cited by examiner

Primary Examiner — Caron D Veynar
Assistant Examiner — Maria Edwards
 (74) *Attorney, Agent, or Firm* — Alan D. Kamrath;
 Kamrath IP Lawfirm, P.A.

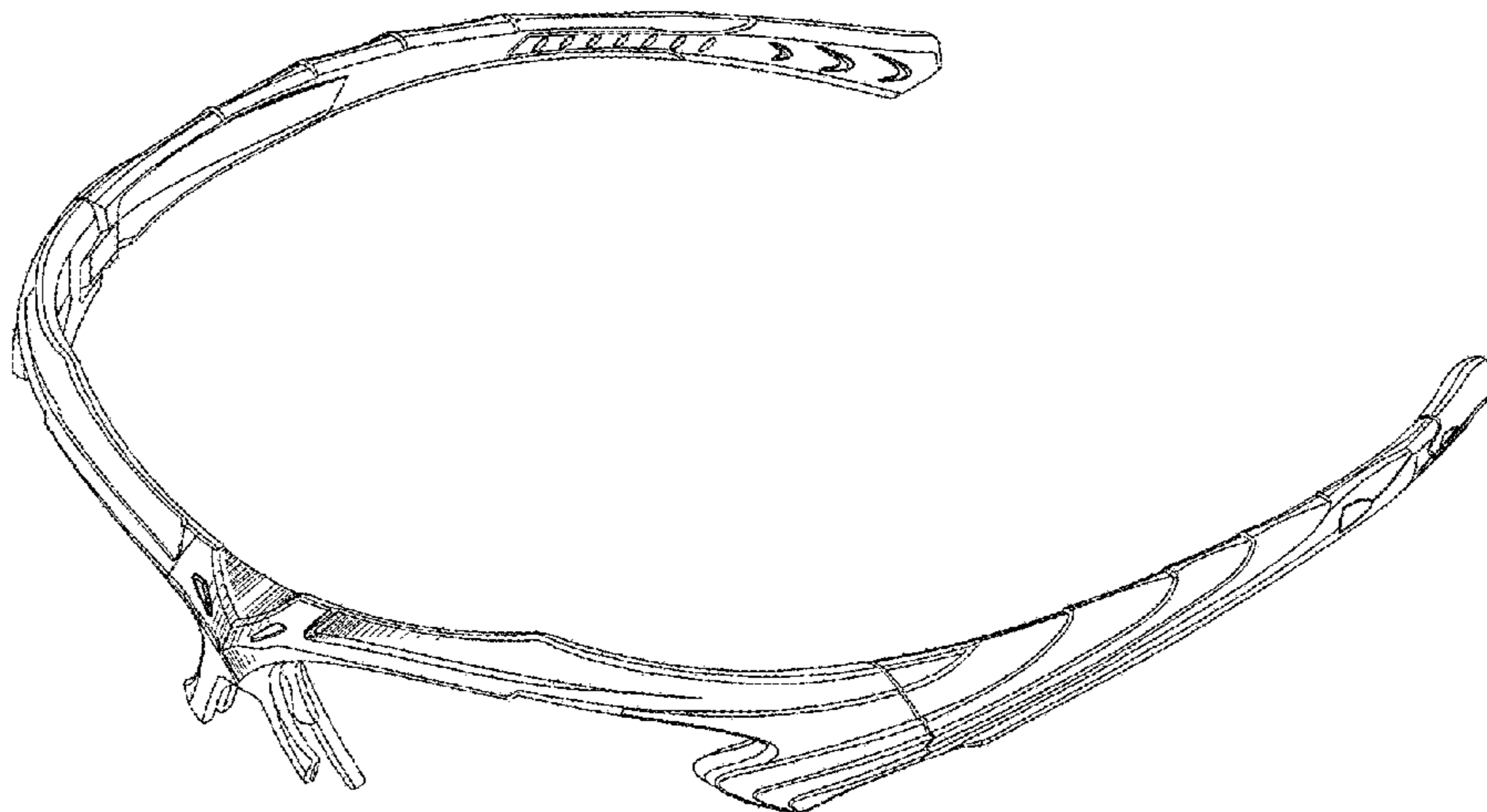
(57) **CLAIM**

The ornamental design for spectacles frame, as shown and described.

DESCRIPTION

FIG. 1 is a perspective view of spectacles frame showing my design;
 FIG. 2 is a front elevational view thereof;
 FIG. 3 is a rear elevational view thereof;
 FIG. 4 is a left side elevational view thereof;
 FIG. 5 is a right side elevational view thereof;
 FIG. 6 is a top plan view thereof; and,
 FIG. 7 is a bottom plan view thereof.

1 Claim, 7 Drawing Sheets



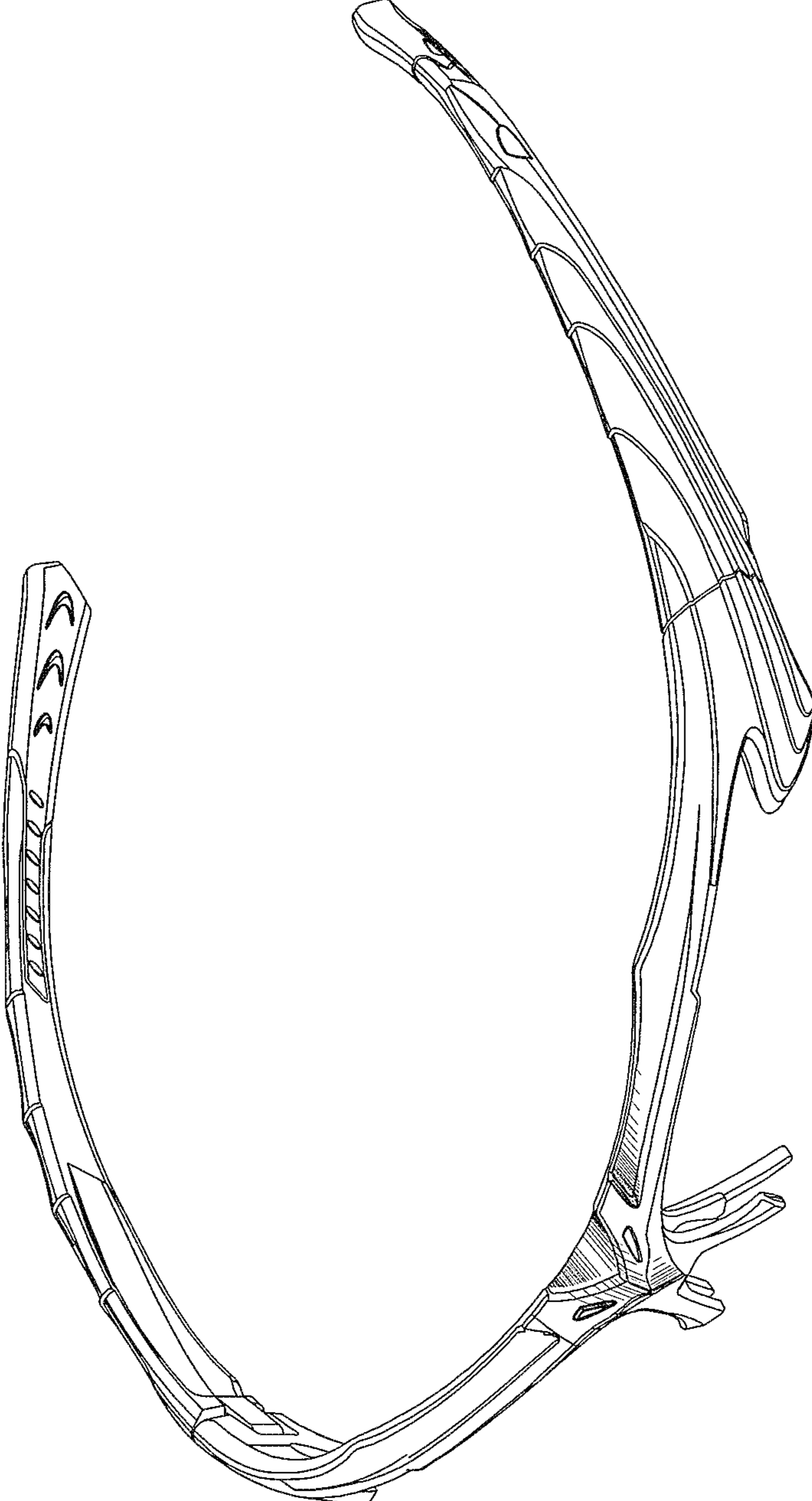


FIG. 1

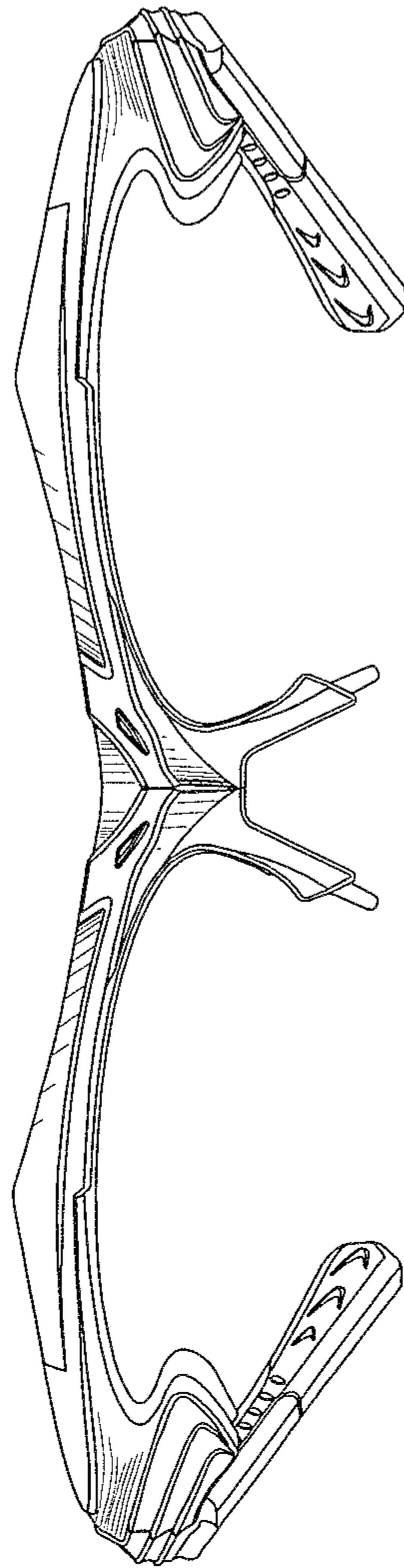


FIG. 2

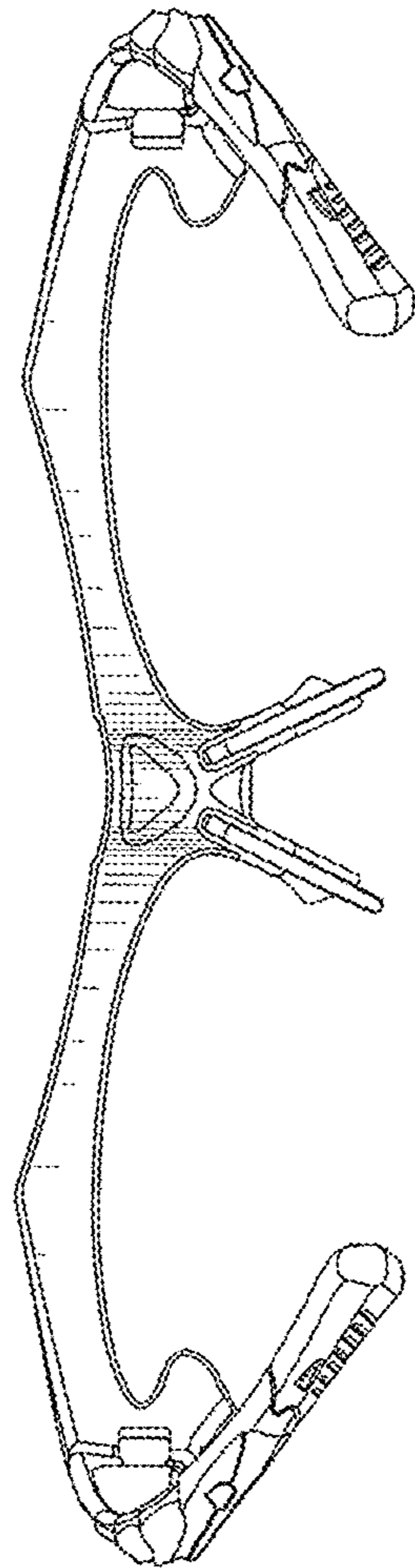


FIG. 3

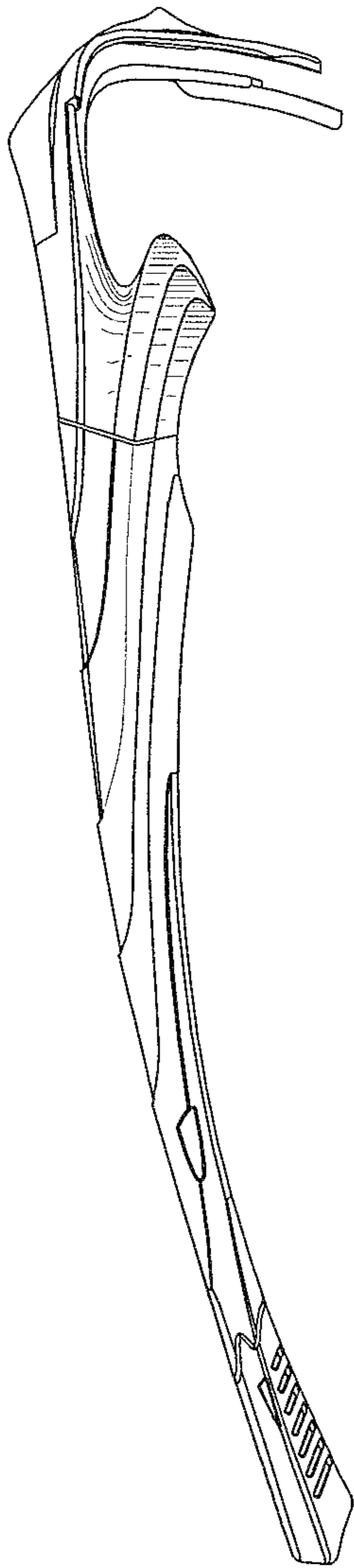


FIG. 4

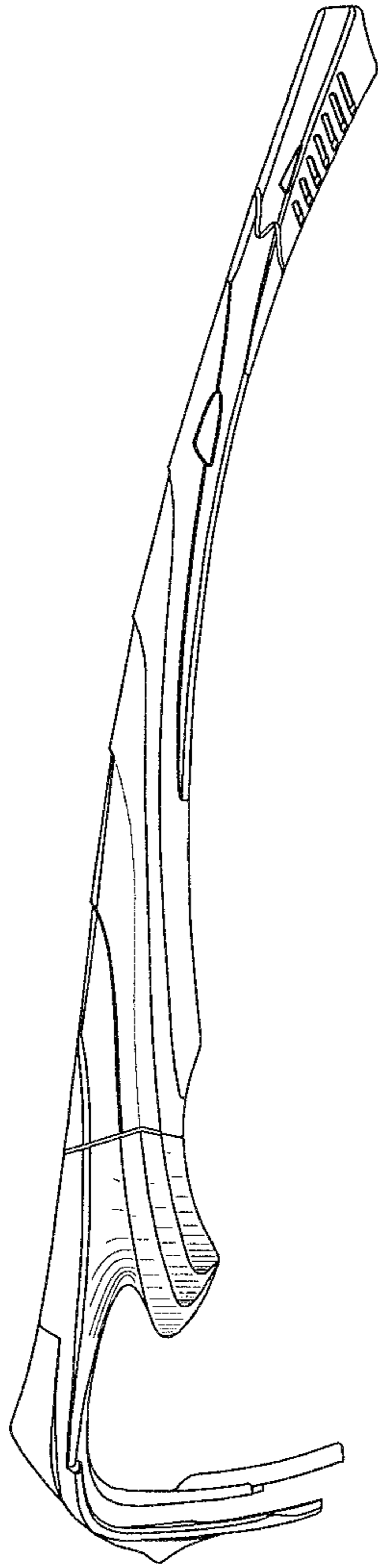


FIG. 5

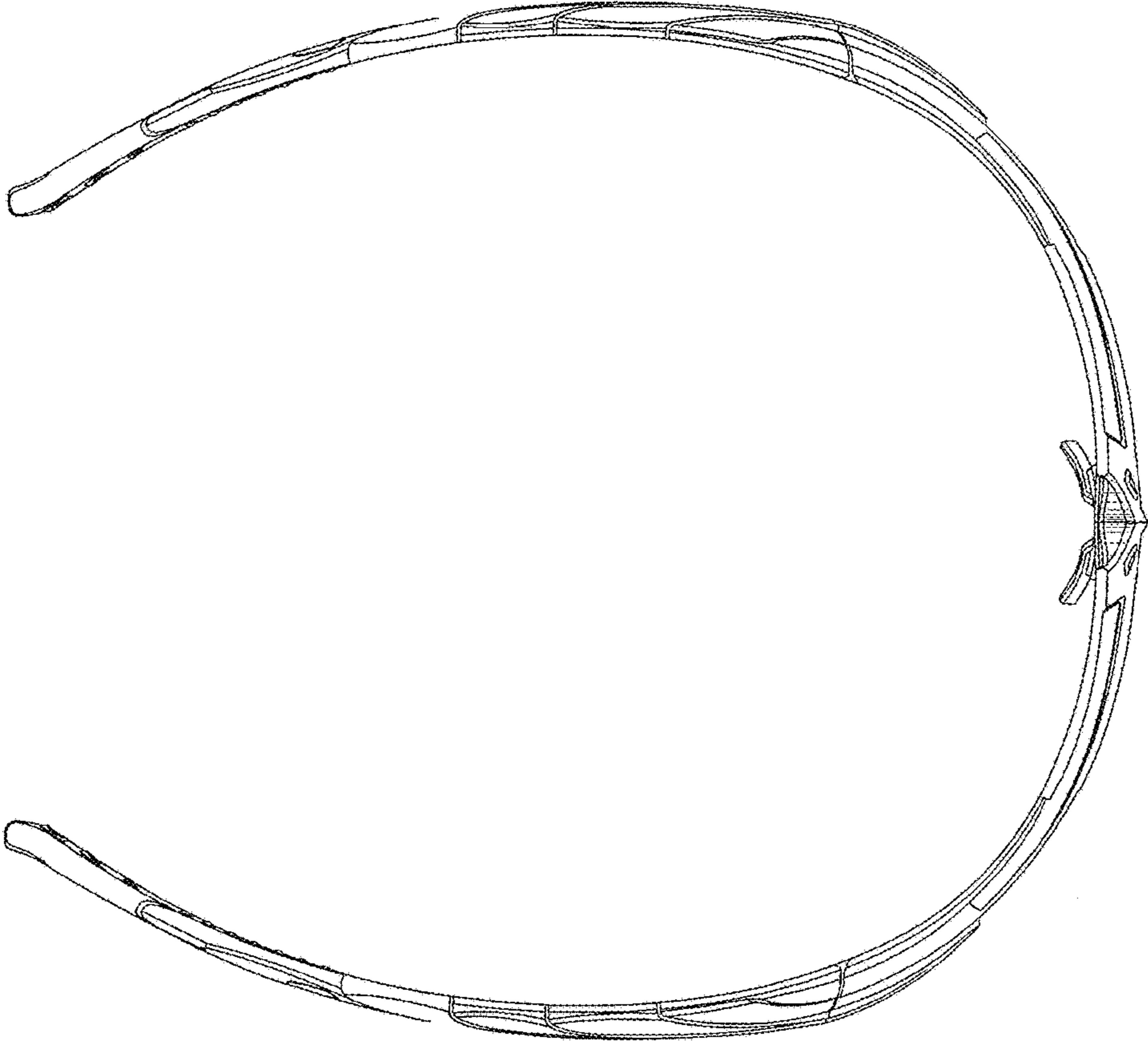


FIG. 6

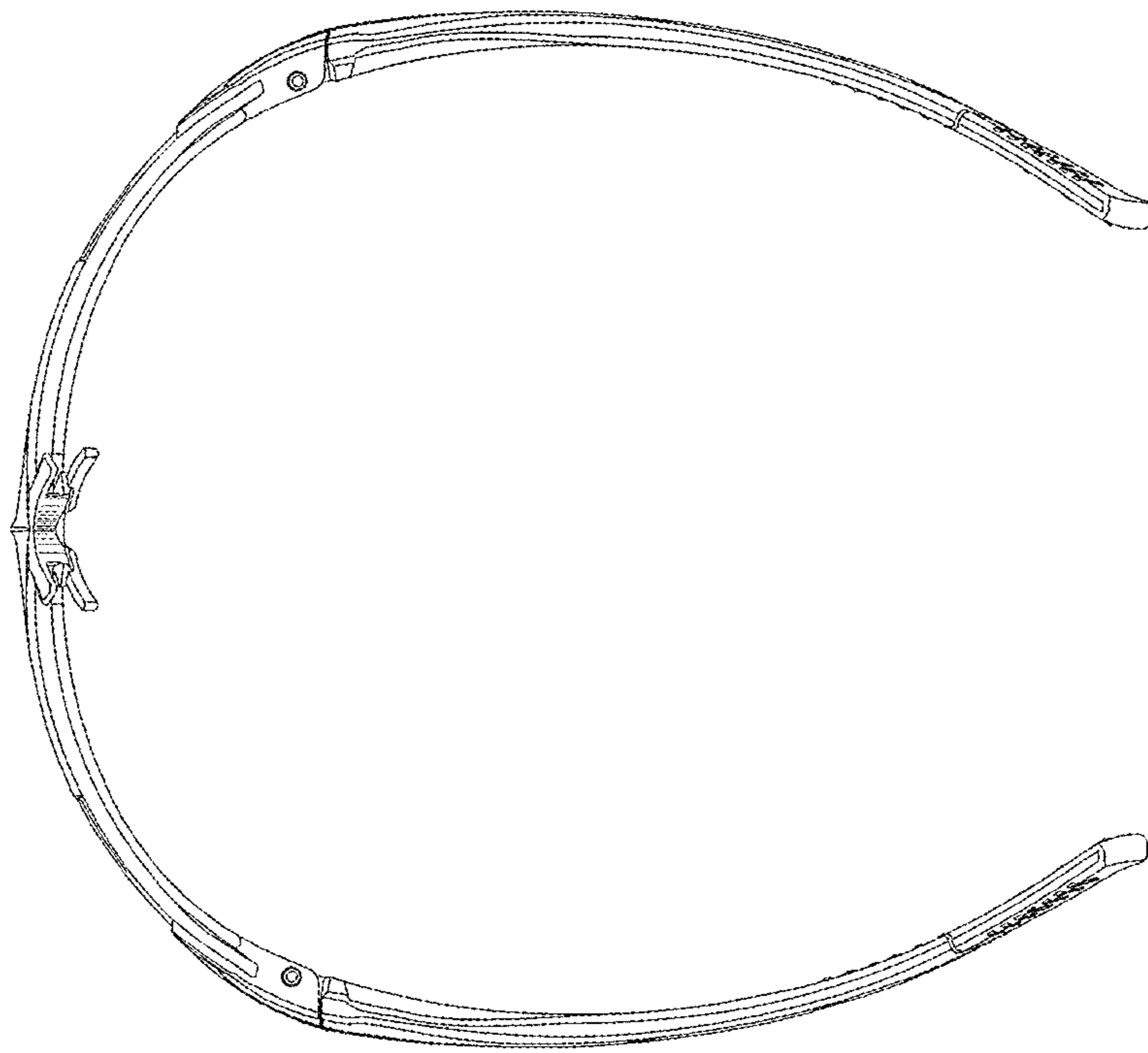


FIG. 7