



US00D799581S

(12) **United States Design Patent** (10) **Patent No.:** **US D799,581 S**
Lin (45) **Date of Patent:** **** Oct. 10, 2017**

(54) **CAMERA GIMBAL** 2007/0127912 A1* 6/2007 Jones F16M 11/10
396/428
(71) Applicant: **SZ DJI Osmo Technology Co., Ltd.,** 2015/0097950 A1* 4/2015 Wang H04N 5/23287
Shenzhen (CN) 348/144
(72) Inventor: **Yuan Lin, Shenzhen (CN)** 2016/0100236 A1* 4/2016 Ifuku H04R 1/028
248/634
2016/0229556 A1* 8/2016 Zhou B64D 47/08

(73) Assignee: **SZ DJI Osmo Technology Co., Ltd.,**
Shenzhen (CN)

(**) Term: **14 Years**

(21) Appl. No.: **29/494,012**

(22) Filed: **Jun. 16, 2014**

(30) **Foreign Application Priority Data**

Apr. 29, 2014 (CN) 2014 3 0111007

(51) **LOC (10) Cl.** **16-05**

(52) **U.S. Cl.**
USPC **D16/242**

(58) **Field of Classification Search**
USPC D16/200, 204, 219, 237-250; D14/251
CPC G03B 17/56; G03B 17/561-17/568; G02B
7/00-7/002

See application file for complete search history.

(56) **References Cited**

U.S. PATENT DOCUMENTS

D292,982 S * 12/1987 Nakatani D16/245
D564,010 S * 3/2008 Dordick D16/242
D564,567 S * 3/2008 Dordick D16/242
D596,658 S * 7/2009 Dordick D16/242
D653,692 S * 2/2012 Dordick D16/242
9,004,785 B1 * 4/2015 Mohan G03B 17/561
348/143
D738,951 S * 9/2015 Coyle D16/237
D754,242 S * 4/2016 Wang D16/242
2002/0130230 A1 * 9/2002 Ursan F16M 11/10
248/184.1

OTHER PUBLICATIONS

54 results TinEye. [online] Published date unknown. Retrieved on Oct. 19, 2016 from <URL: <https://tineye.com/search/c7ceda0313fd271caf4db1c0b586df505e2aa35e/?page=2&sort=score&order=desc>>.*

* cited by examiner

Primary Examiner — Vy Koenig
Assistant Examiner — Omeed Agilee
(74) *Attorney, Agent, or Firm* — Sterne, Kessler,
Goldstein & Fox P.L.L.C.

(57) **CLAIM**

The ornamental design for a camera gimbal, as shown and described.

DESCRIPTION

FIG. 1 is a top front perspective view of a camera gimbal showing the claimed design.

FIG. 2 is a front view of thereof.

FIG. 3 is a rear view of thereof.

FIG. 4 is a left side view of thereof.

FIG. 5 is a right side view of thereof.

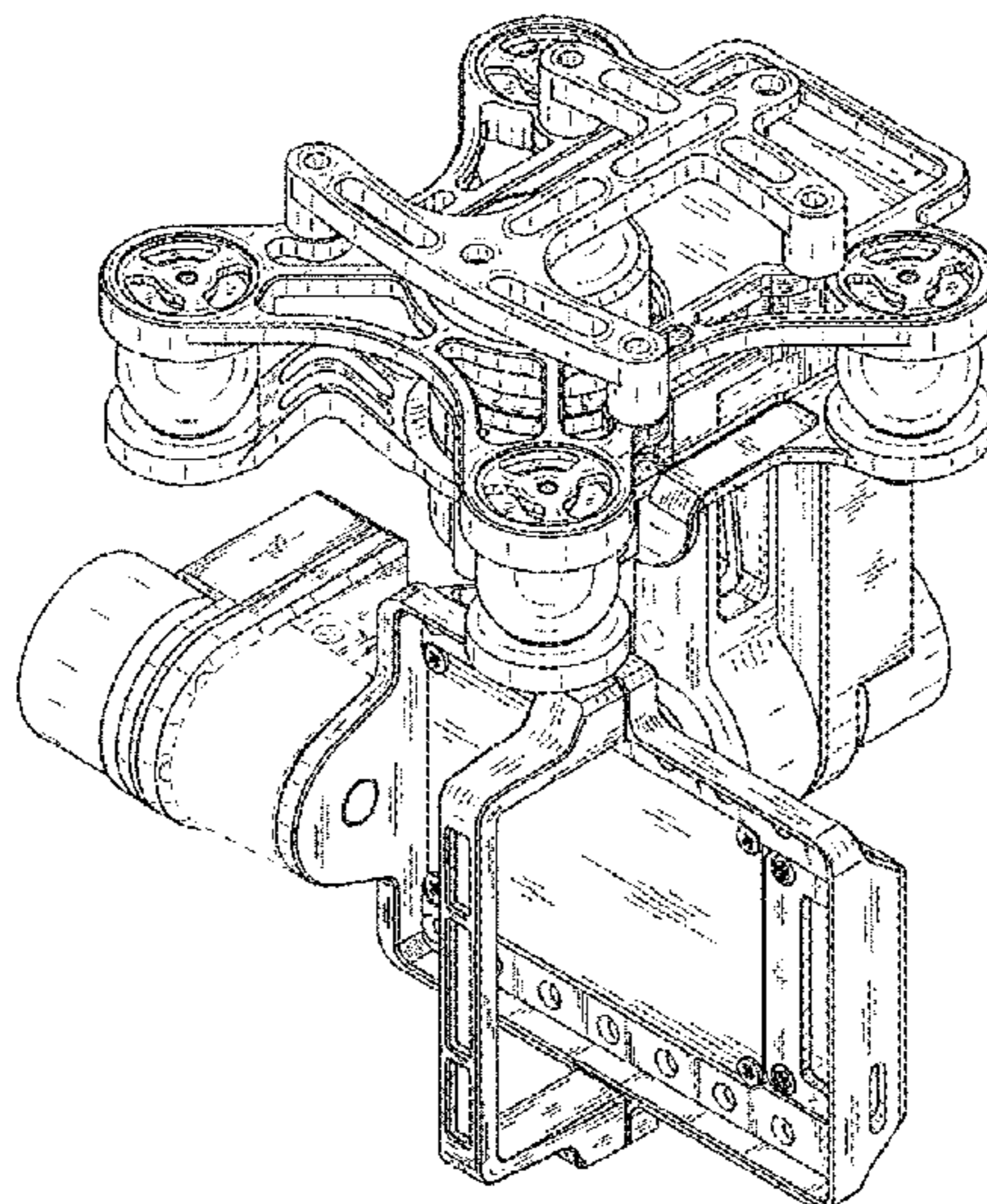
FIG. 6 is a top view of thereof; and,

FIG. 7 is a bottom view of thereof.

The shade lines in the figures show contour and not surface ornamentation.

The broken lines in the figures show portions of the camera gimbal that form no part of the claimed design.

1 Claim, 7 Drawing Sheets



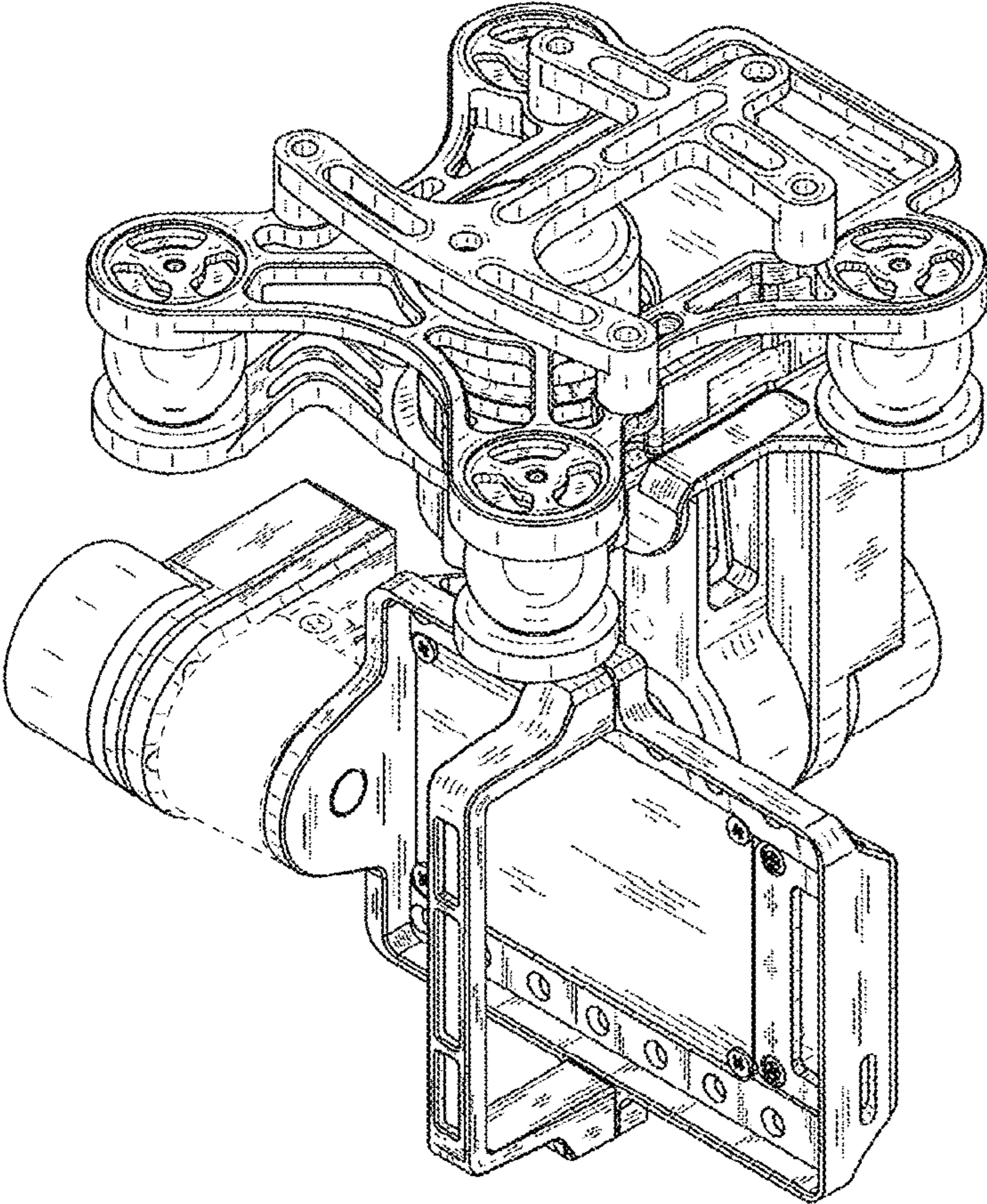


FIG. 1

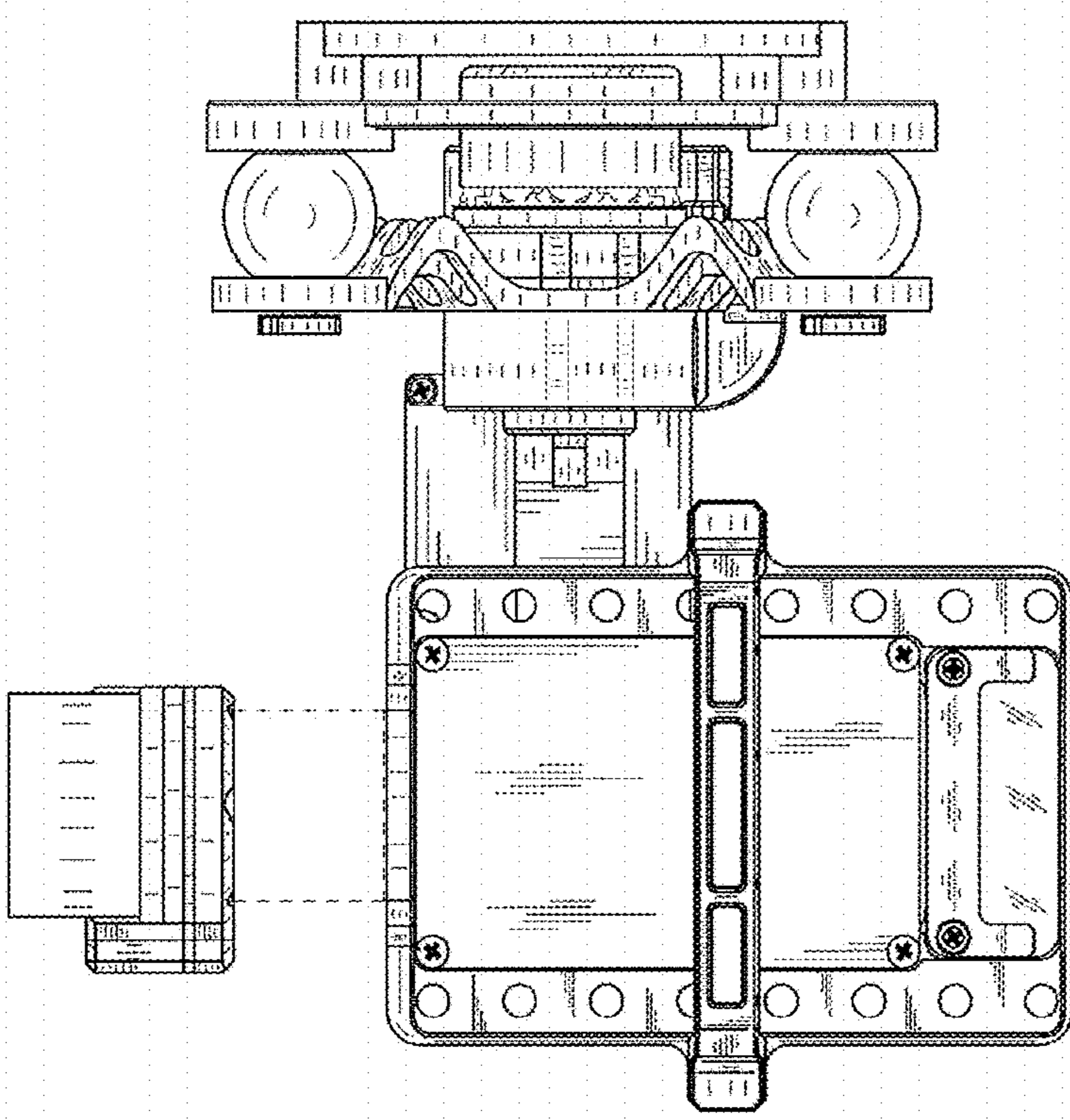


FIG. 2

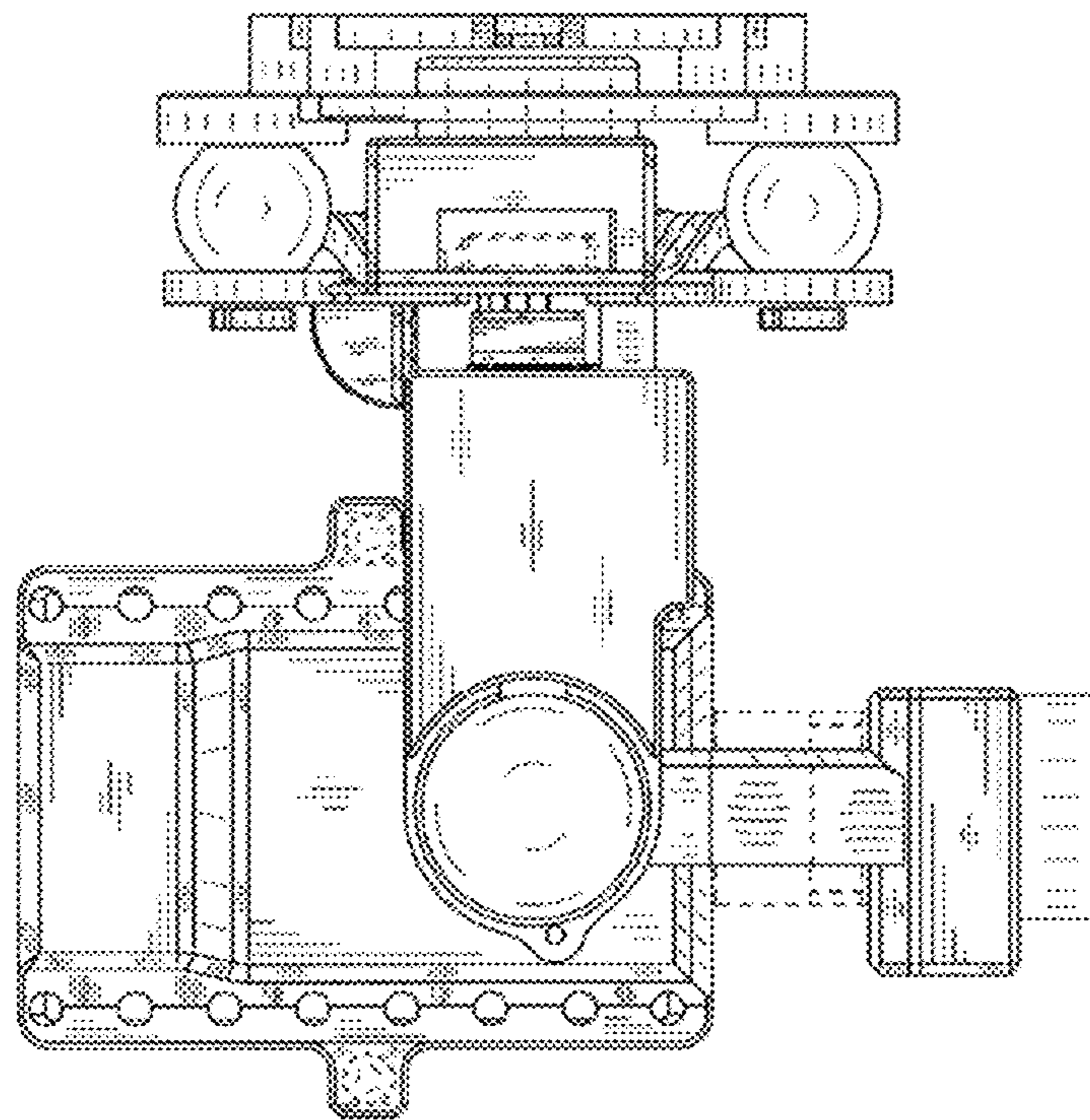


FIG. 3

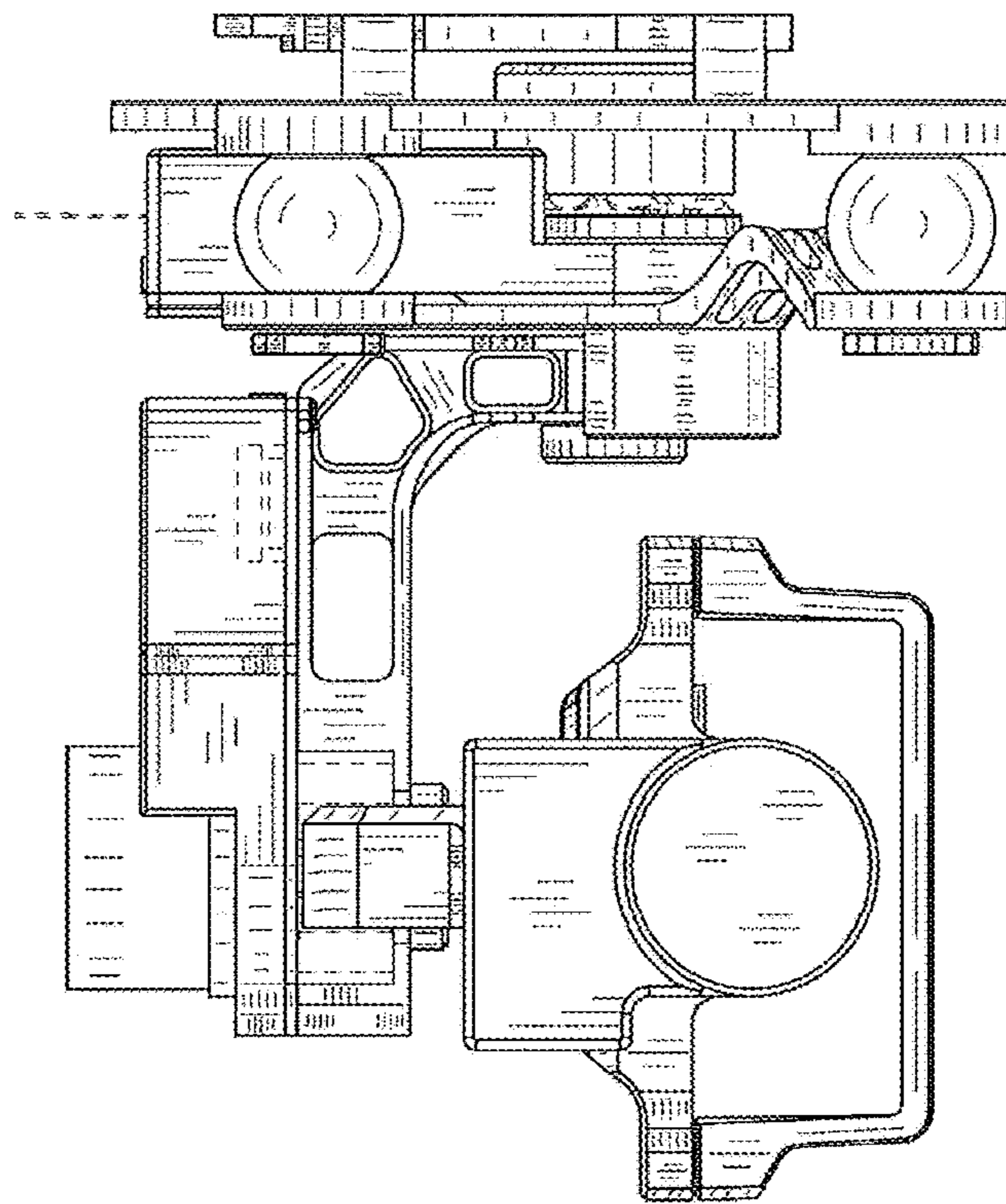


FIG. 4

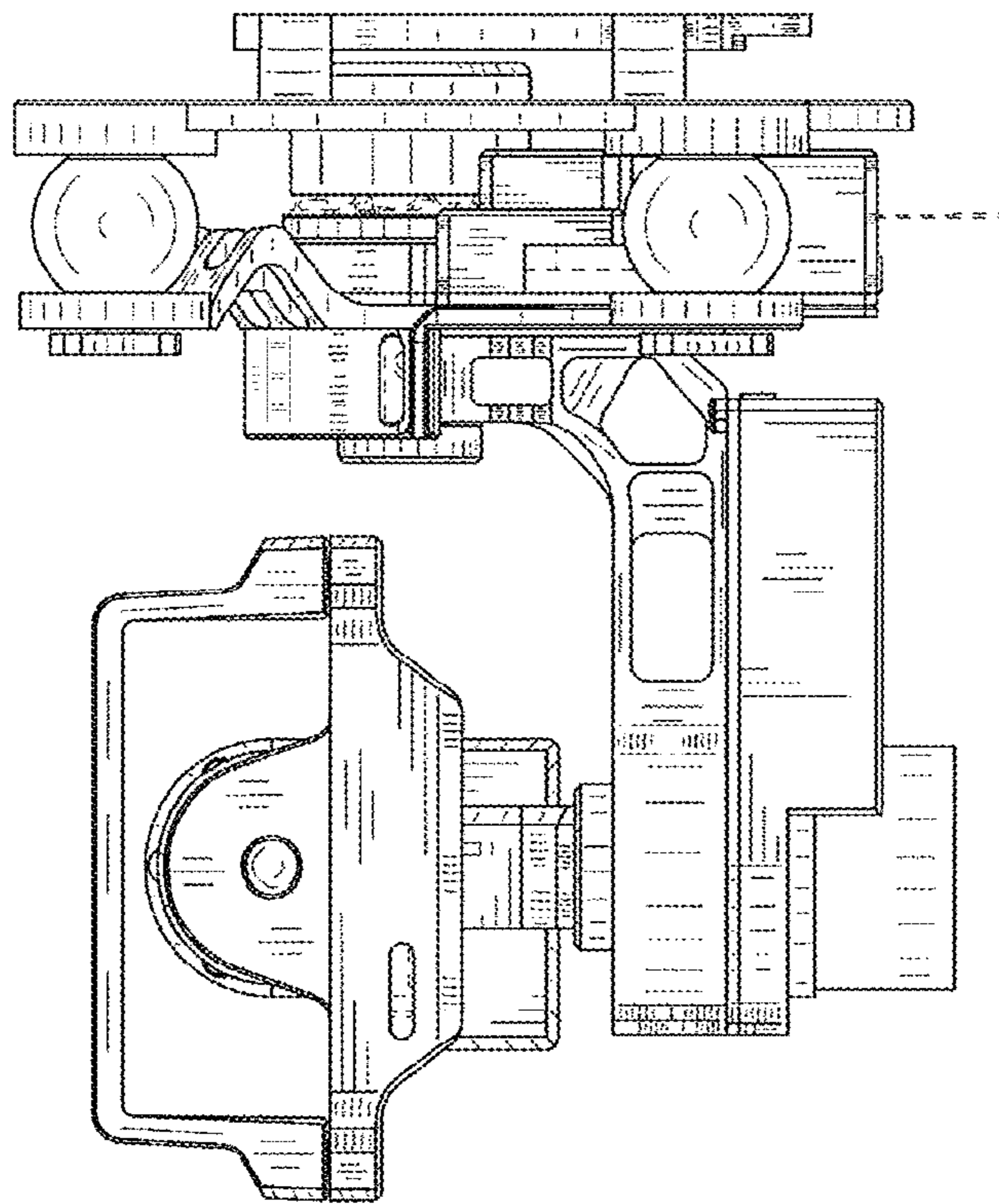


FIG. 5

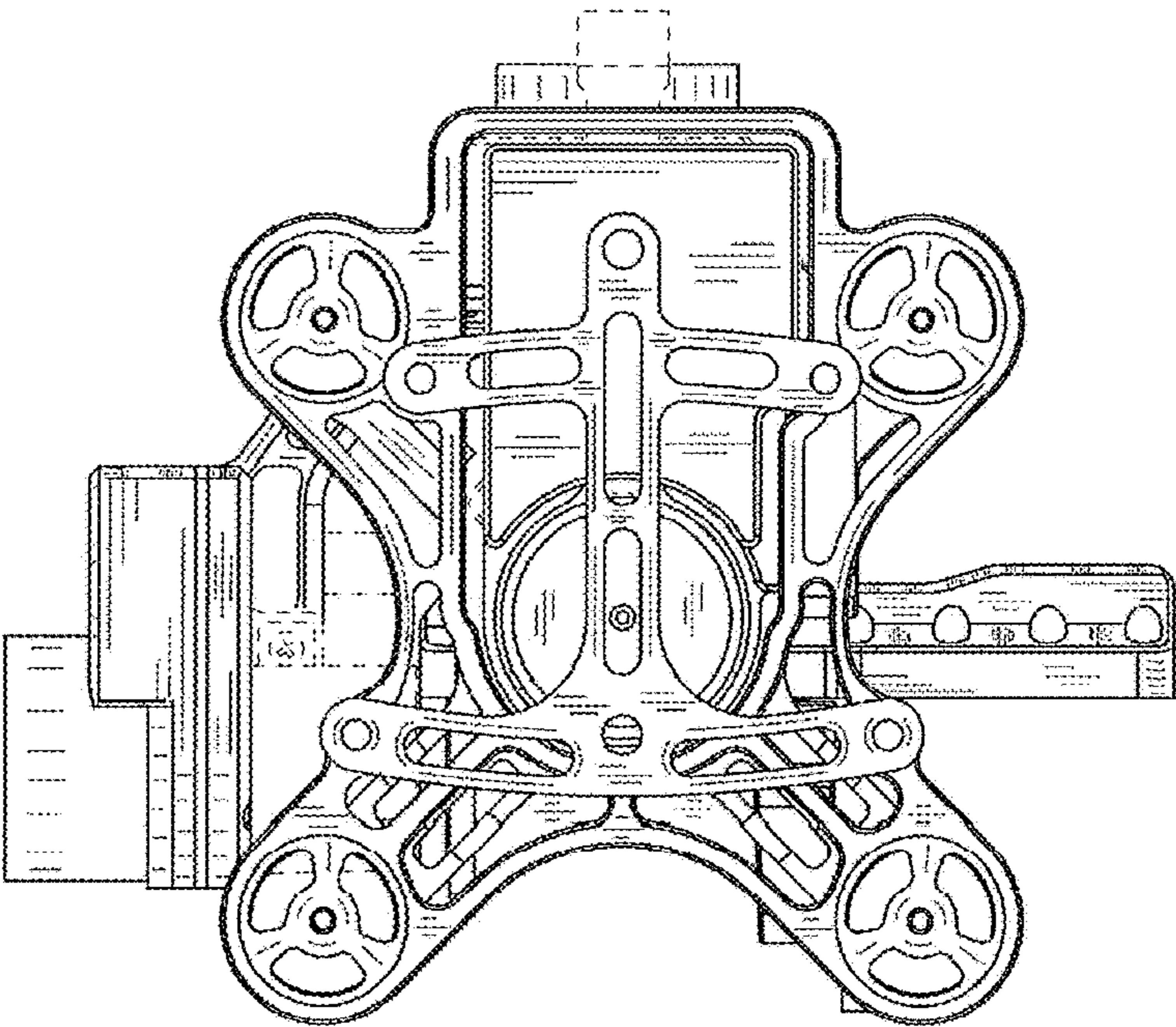


FIG. 6

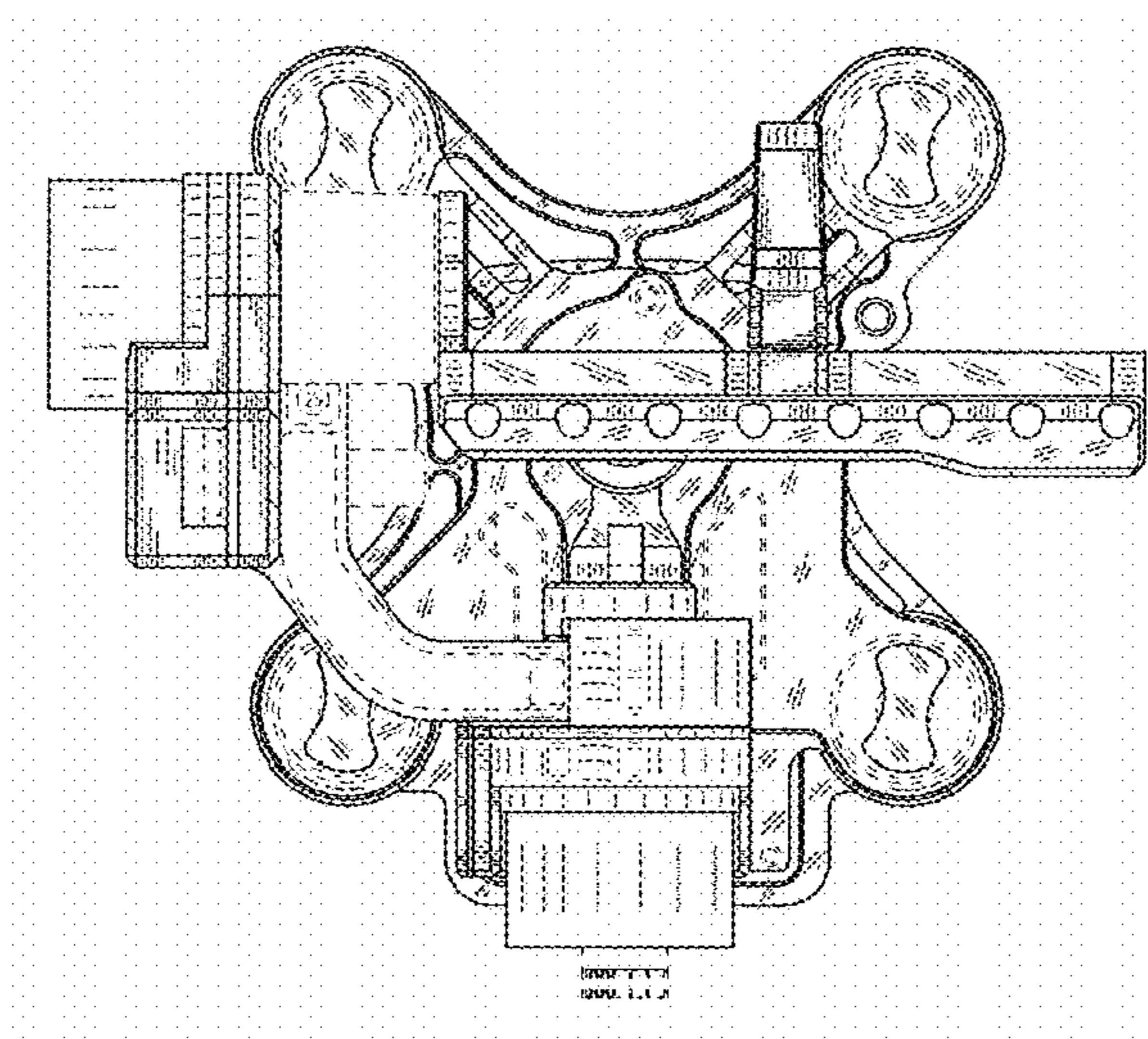


FIG. 7