



US00D799579S

(12) **United States Design Patent** (10) **Patent No.:** **US D799,579 S**
Yuyama (45) **Date of Patent:** **** Oct. 10, 2017**

(54) **PROJECTOR**

FOREIGN PATENT DOCUMENTS

(71) Applicant: **Panasonic Intellectual Property Management Co., Ltd.**, Osaka (JP)

JP D1526847 6/2015

* cited by examiner

(72) Inventor: **Keiji Yuyama**, Tokyo (JP)

Primary Examiner — Wan Laymon

(73) Assignee: **Panasonic Intellectual Property Management Co., Ltd.**, Osaka (JP)

(74) *Attorney, Agent, or Firm* — Panasonic IP Management; Kerry S. Culpepper

(**) Term: **15 Years**

(57) **CLAIM**

(21) Appl. No.: **29/580,918**

I claim the ornamental design for a projector, as shown and described.

(22) Filed: **Oct. 13, 2016**

(30) **Foreign Application Priority Data**

DESCRIPTION

Jul. 13, 2016 (JP) 2016-014954

(51) **LOC (10) Cl.** **16-02**

(52) **U.S. Cl.**
USPC **D16/235**; D16/230; D16/231

(58) **Field of Classification Search**
USPC D16/221, 225, 230–231, 234–235;
D21/514

CPC G03B 21/145; G03B 21/14; G03B 21/00;
G03B 21/001; G03B 21/003; G03B
21/12; G03B 21/16

See application file for complete search history.

FIG. 1 is a front perspective view of a projector of the present invention;
 FIG. 2 is a rear perspective view thereof;
 FIG. 3 is a front view thereof;
 FIG. 4 is a rear view thereof;
 FIG. 5 is a first side view thereof;
 FIG. 6 is a second side view thereof;
 FIG. 7 is a top view thereof;
 FIG. 8 is a bottom view thereof;
 FIG. 9 is a first front perspective view thereof shown in an environmental use with the eyebolts attached;
 FIG. 10 is a rear perspective view thereof shown in an environmental use with the eyebolts attached;
 FIG. 11 is a second front perspective view thereof shown in an environmental use with the eyebolts attached; and,
 FIG. 12 is a bottom perspective view thereof shown in an environmental use with the eyebolts attached.
 The broken line showing of projector is included for the purpose of illustrating environment and forms no part of the claimed design.

(56) **References Cited**

U.S. PATENT DOCUMENTS

D436,979 S *	1/2001	Yokoyama	D16/231
D449,061 S *	10/2001	Lim	D16/231
D565,630 S *	4/2008	Morishita	D16/230
D605,215 S *	12/2009	Azuma	D16/230
7,850,309 B2 *	12/2010	Hirouchi	G03B 21/145 353/52
D677,305 S *	3/2013	Inoue	D16/235
D775,681 S *	1/2017	Yuyama	D16/230

1 Claim, 12 Drawing Sheets

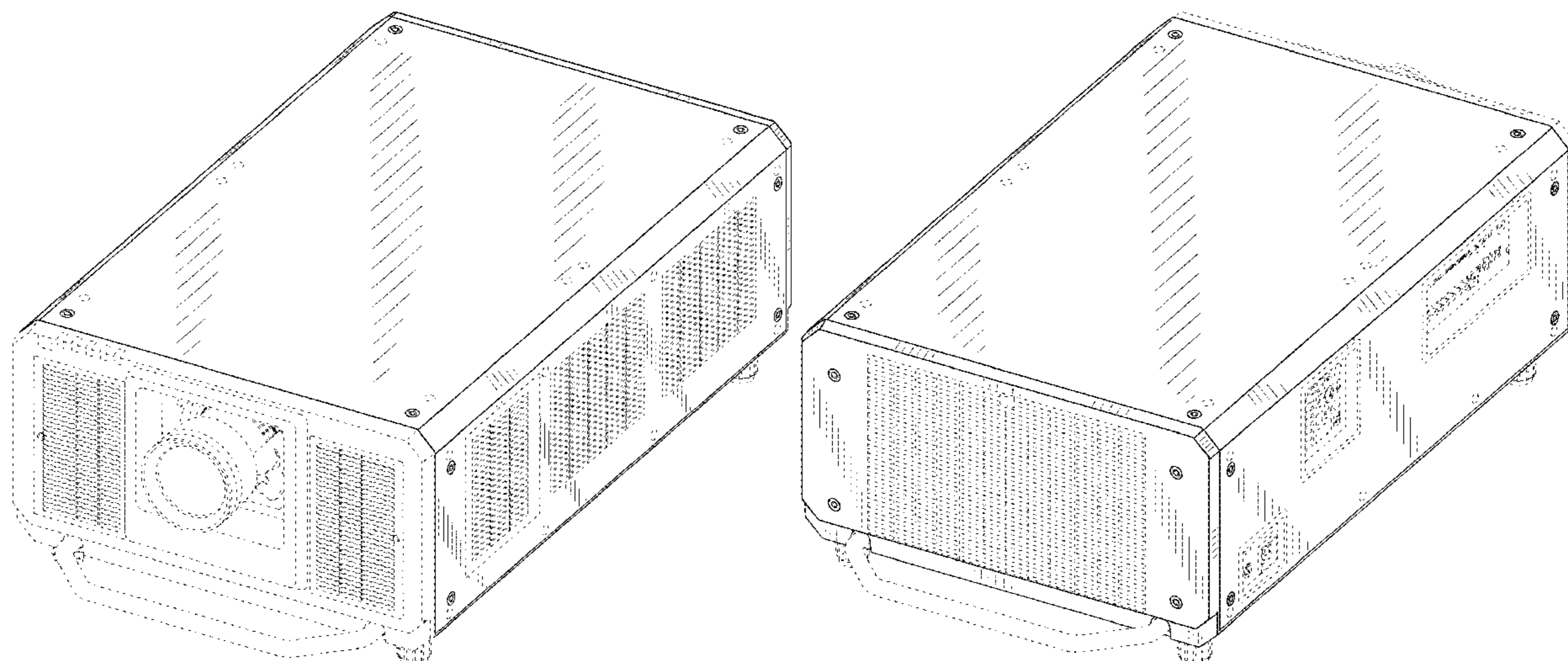


FIG. 1

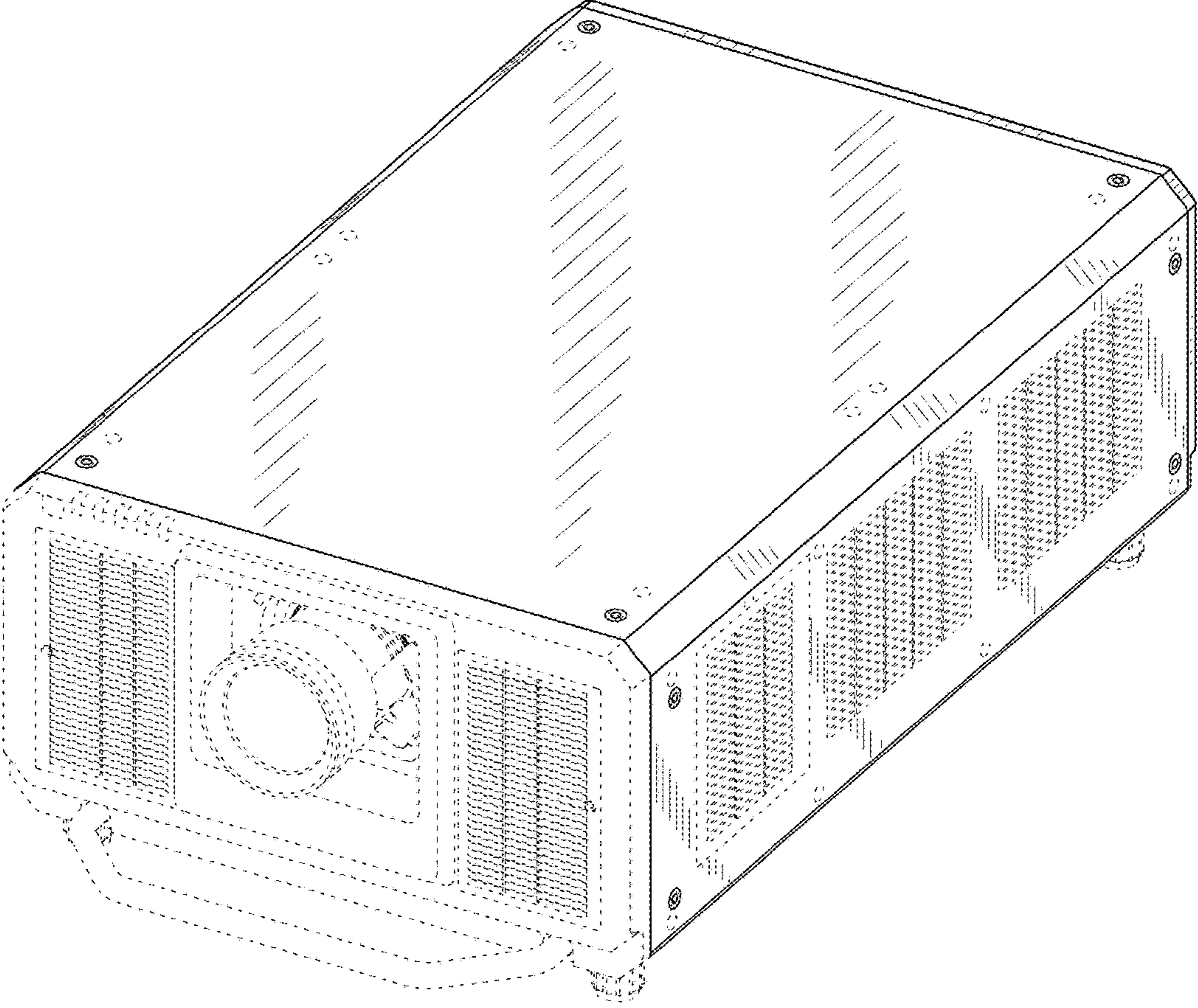


FIG. 2

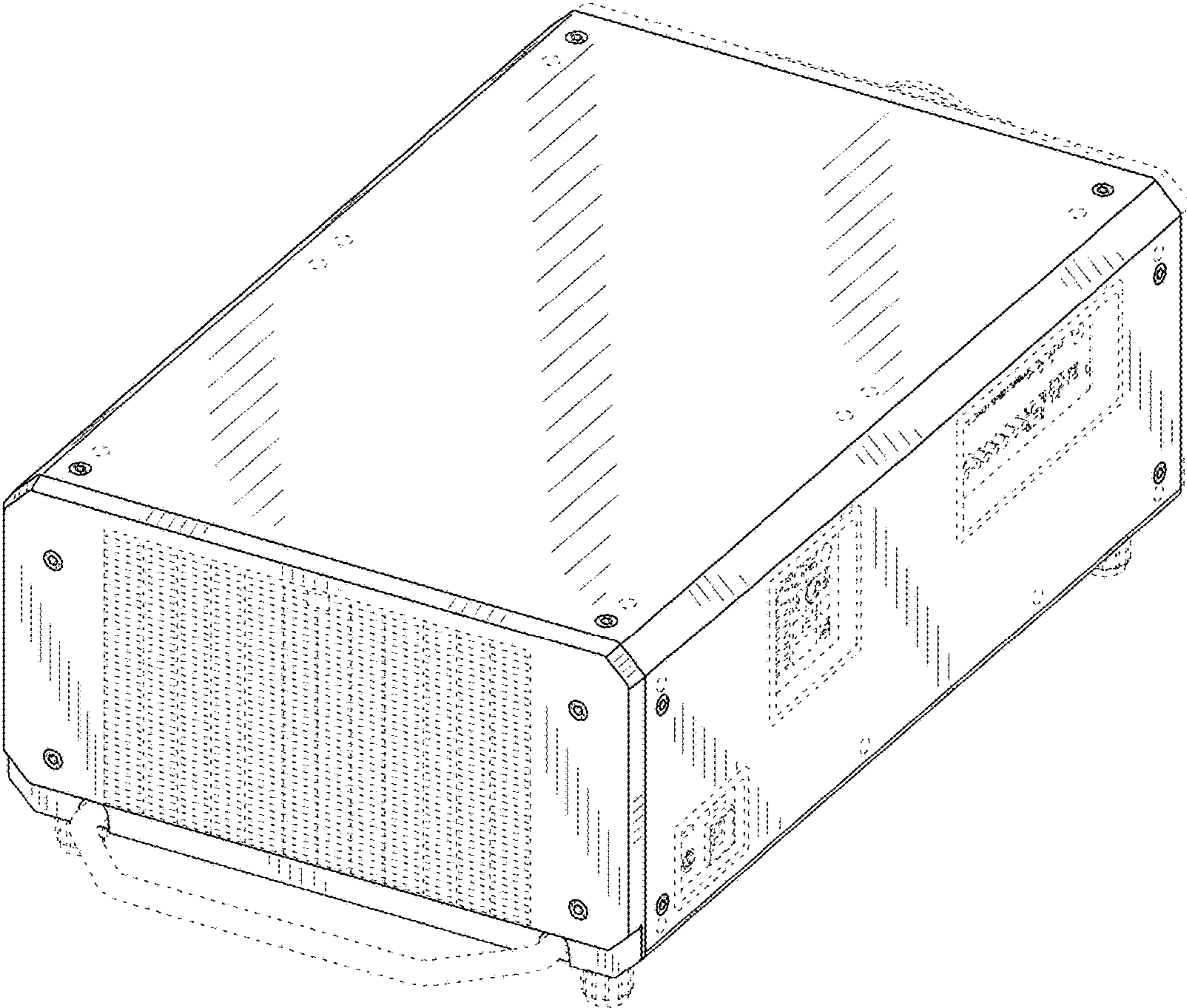


FIG. 3

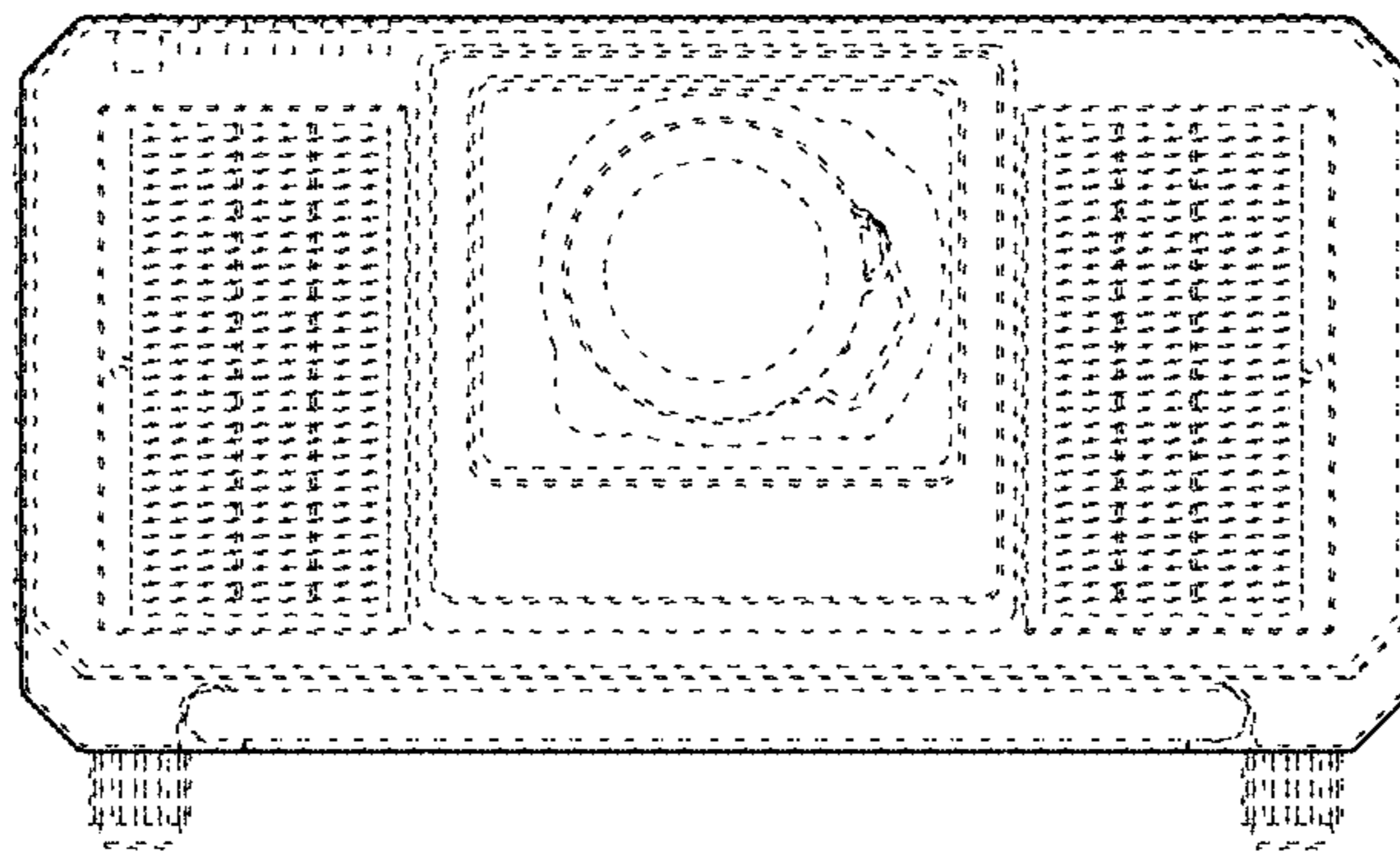


FIG. 4

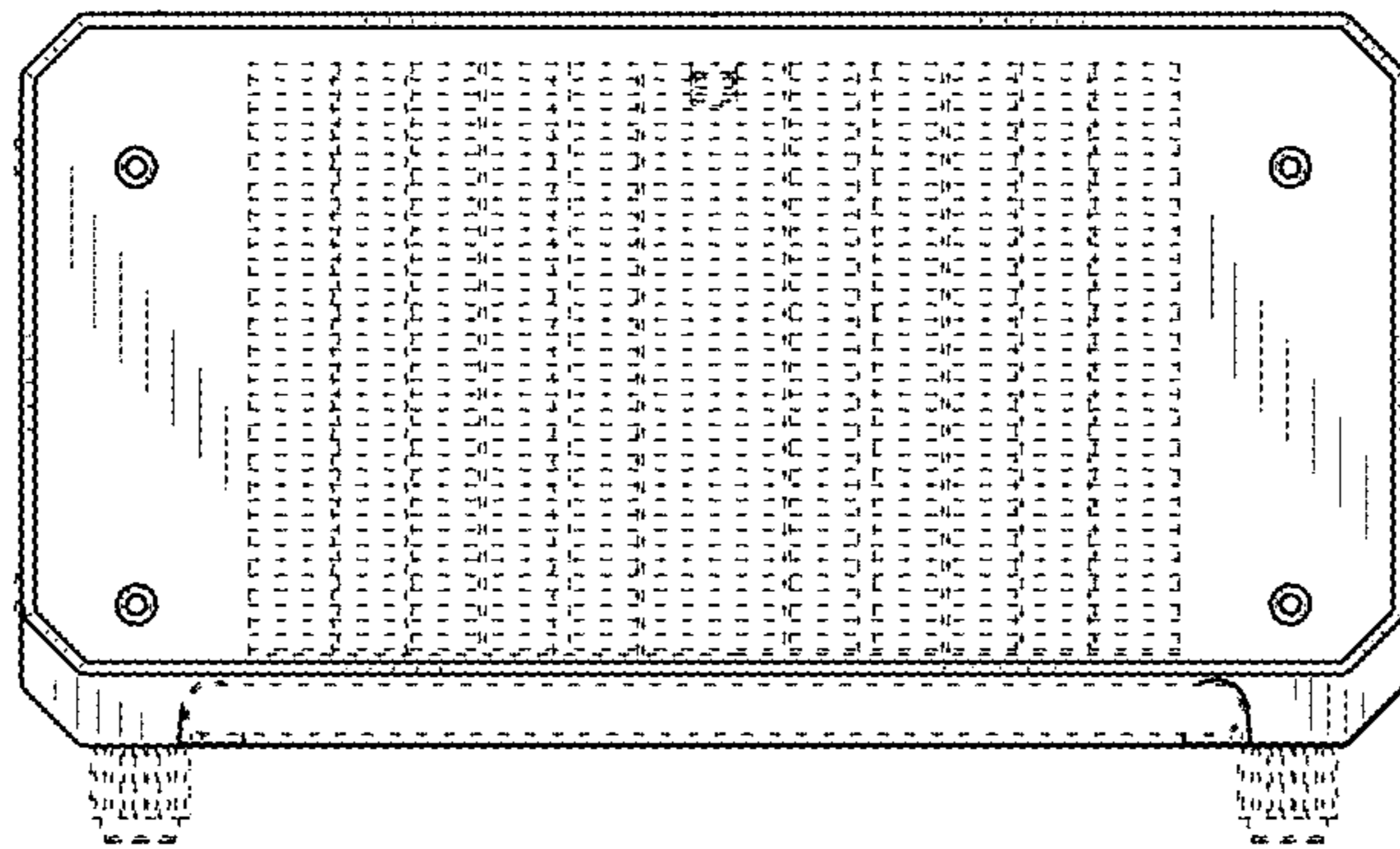


FIG. 5

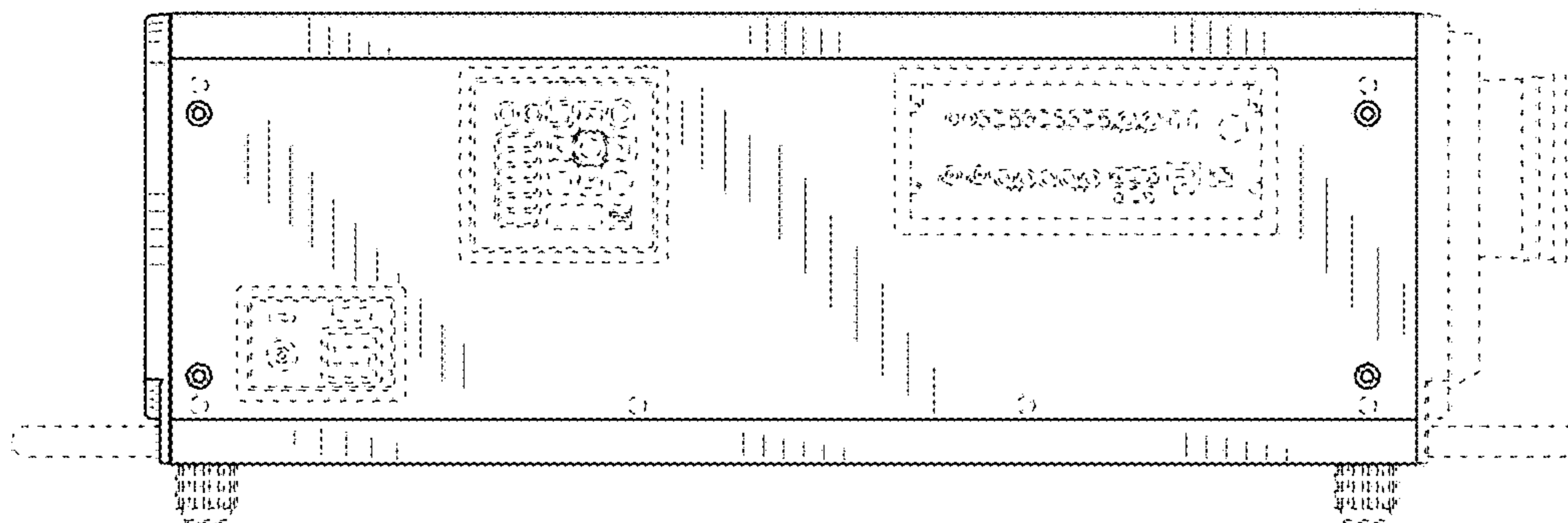


FIG. 6

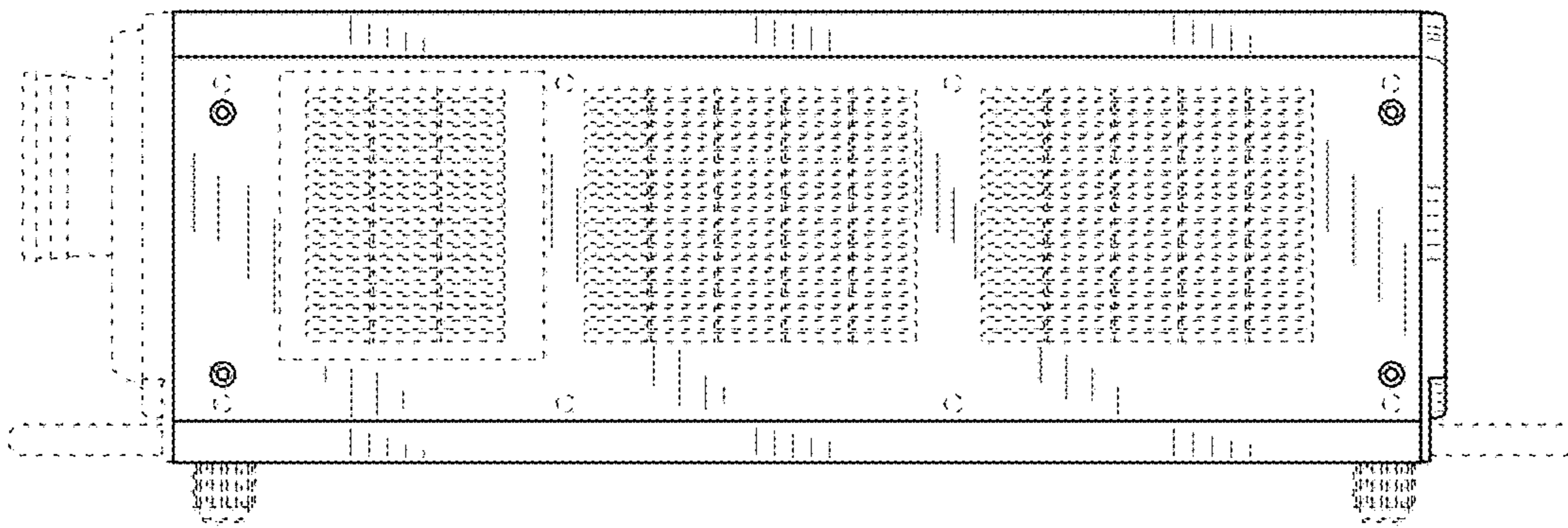


FIG. 7

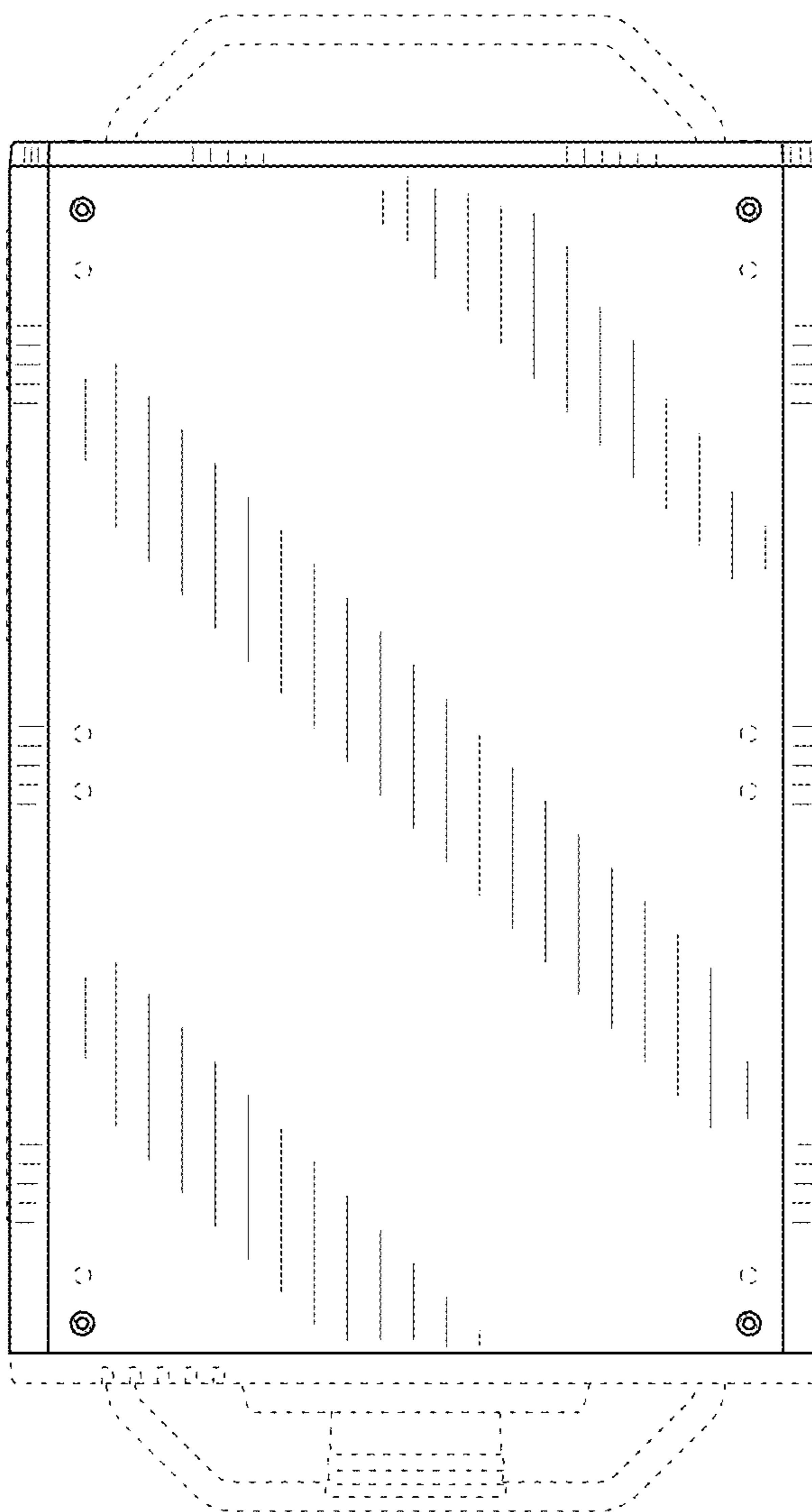


FIG. 8

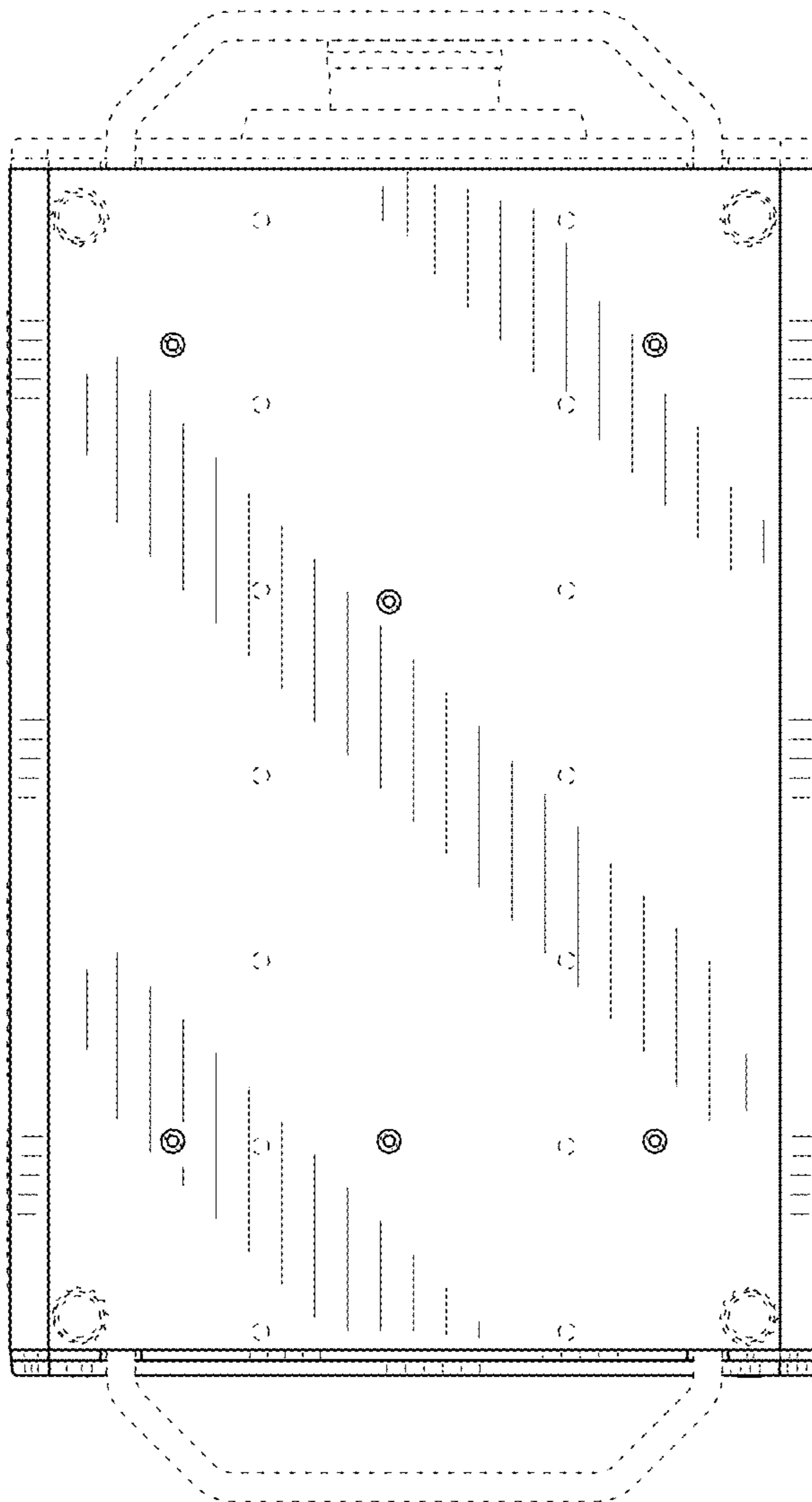


FIG. 9

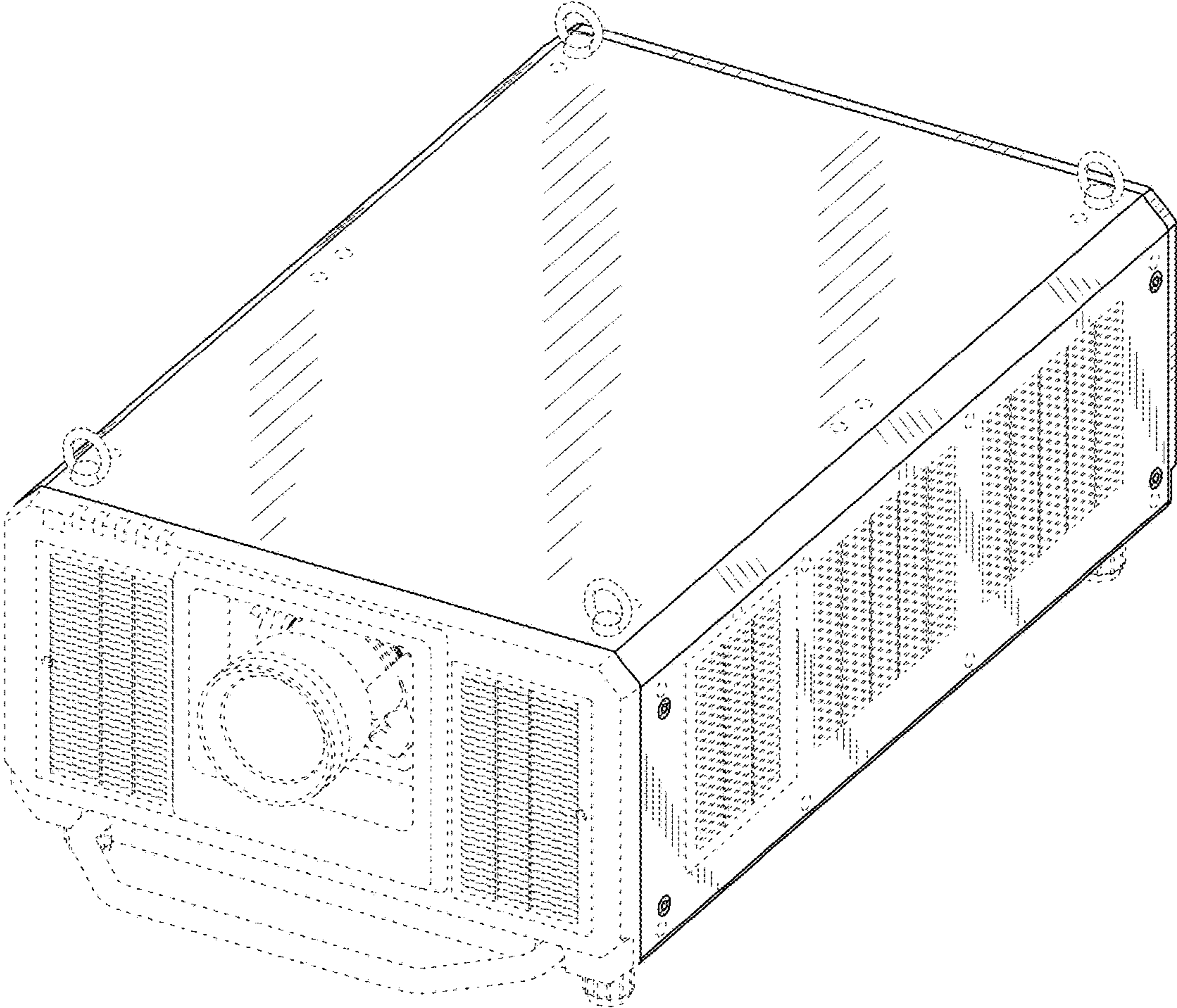


FIG. 10

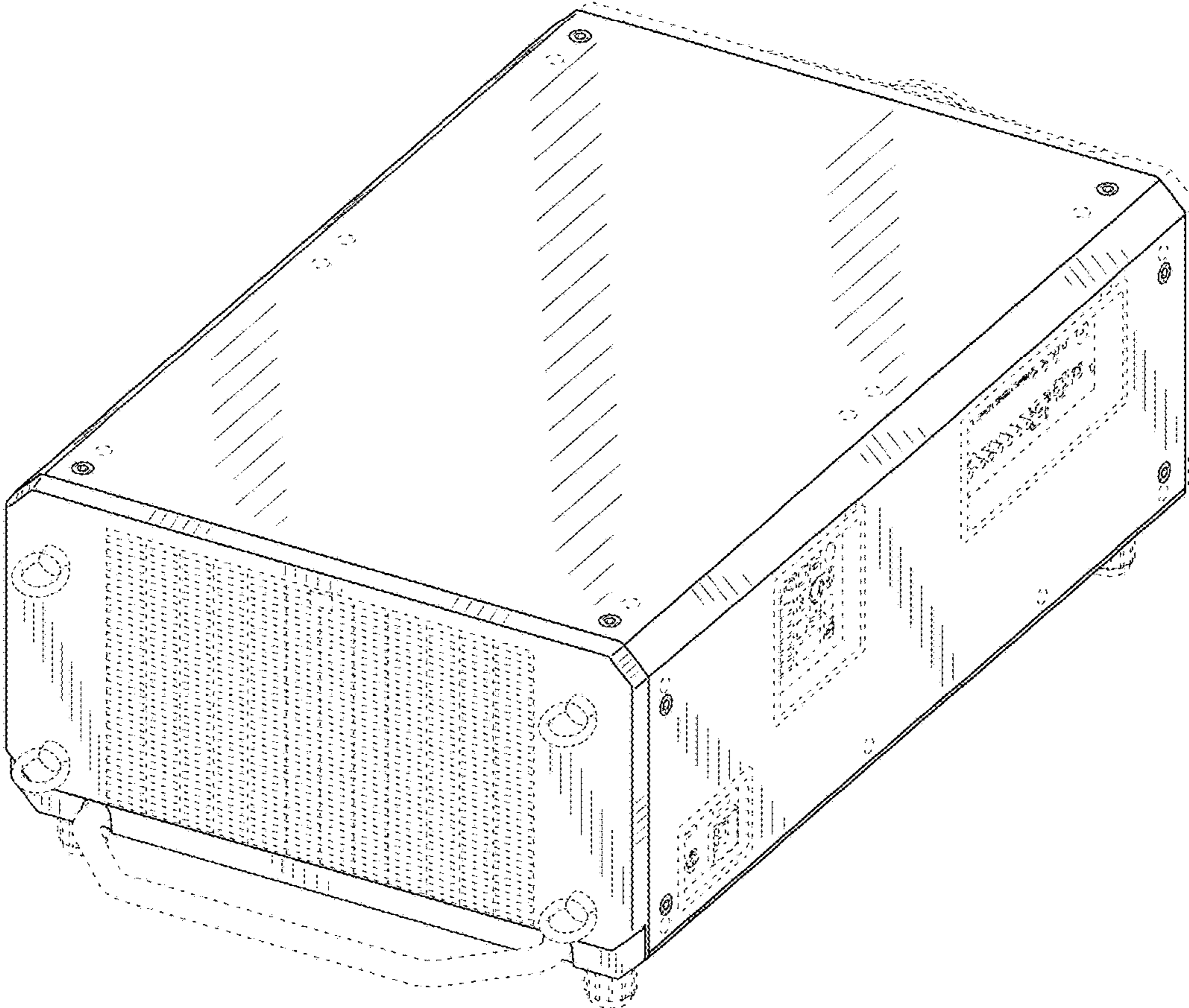


FIG. 11

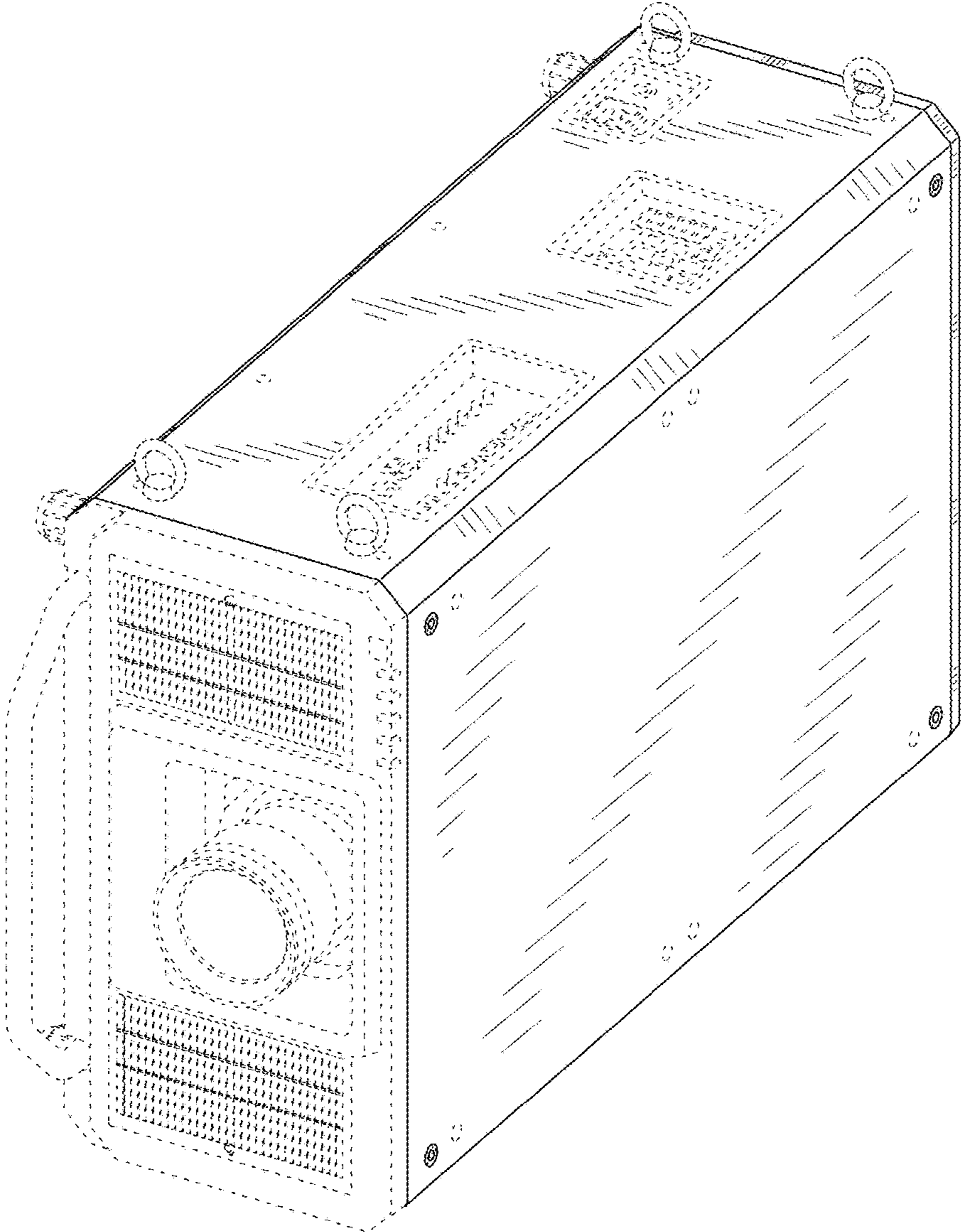


FIG. 12

