



US00D799573S

(12) **United States Design Patent** (10) **Patent No.:** **US D799,573 S**
Tomoda et al. (45) **Date of Patent:** **** Oct. 10, 2017**

(54) **TIP FOR METAL CUTTING TOOL**

(71) Applicant: **SUMITOMO ELECTRIC HARDMETAL CORP.**, Itami-shi (JP)

(72) Inventors: **Yuji Tomoda**, Itami (JP); **Yasuyuki Kanada**, Itami (JP); **Kunishige Tanaka**, Itami (JP)

(73) Assignee: **Sumitomo Electric Hardmetal Corp.**, Itami-shi (JP)

(**) Term: **15 Years**

(21) Appl. No.: **29/547,429**

(22) Filed: **Dec. 3, 2015**

Related U.S. Application Data

(62) Division of application No. 29/488,921, filed on Apr. 24, 2014, now Pat. No. Des. 755,266.

(30) **Foreign Application Priority Data**

Oct. 30, 2013 (JP) 2013-025260
Oct. 30, 2013 (JP) 2013-025261

(Continued)

(51) **LOC (10) Cl.** **15-09**

(52) **U.S. Cl.**
USPC **D15/139**

(58) **Field of Classification Search**
USPC D15/130-132, 138-140, 133, 134;
D8/70, 90, 98

(Continued)

(56) **References Cited**

U.S. PATENT DOCUMENTS

4,359,300 A * 11/1982 Hazra B23B 27/143
407/114

D305,662 S 1/1990 Niebauer

(Continued)

FOREIGN PATENT DOCUMENTS

EM 002446542-0001 4/2014
EM 002446542-0002 4/2014

(Continued)

OTHER PUBLICATIONS

W. W. Grainger, Inc. Item No. 4MPF7 (Japan Patent Office, Design Department, known document No. HJ21061664).

(Continued)

Primary Examiner — Susan Bennett Hattan

Assistant Examiner — Brett Miller

(74) *Attorney, Agent, or Firm* — Venable LLP; Michael A. Sartori; Miguel A. Lopez

(57) **CLAIM**

The ornamental design for a tip for metal cutting tool, as shown and described.

DESCRIPTION

FIG. 1 is a front view of a first embodiment of a tip for metal cutting tool showing our new design;

FIG. 2 is a rear view thereof;

FIG. 3 is a top plan view thereof;

FIG. 4 is a bottom plan view thereof;

FIG. 5 is a left side view thereof;

FIG. 6 is a right side view thereof;

FIG. 7 is a perspective view thereof;

FIG. 8 is a sectional view taken along line 8-8 of FIG. 3 thereof;

FIG. 9 is a sectional view taken along line 9-9 of FIG. 3 thereof;

FIG. 10 is a front view of a second embodiment of a tip for metal cutting tool showing our new design;

FIG. 11 is a rear view thereof;

FIG. 12 is a top plan view thereof;

FIG. 13 is a bottom plan view thereof;

FIG. 14 is a left side view thereof;

FIG. 15 is a right side view thereof;

FIG. 16 is a perspective view thereof;

(Continued)

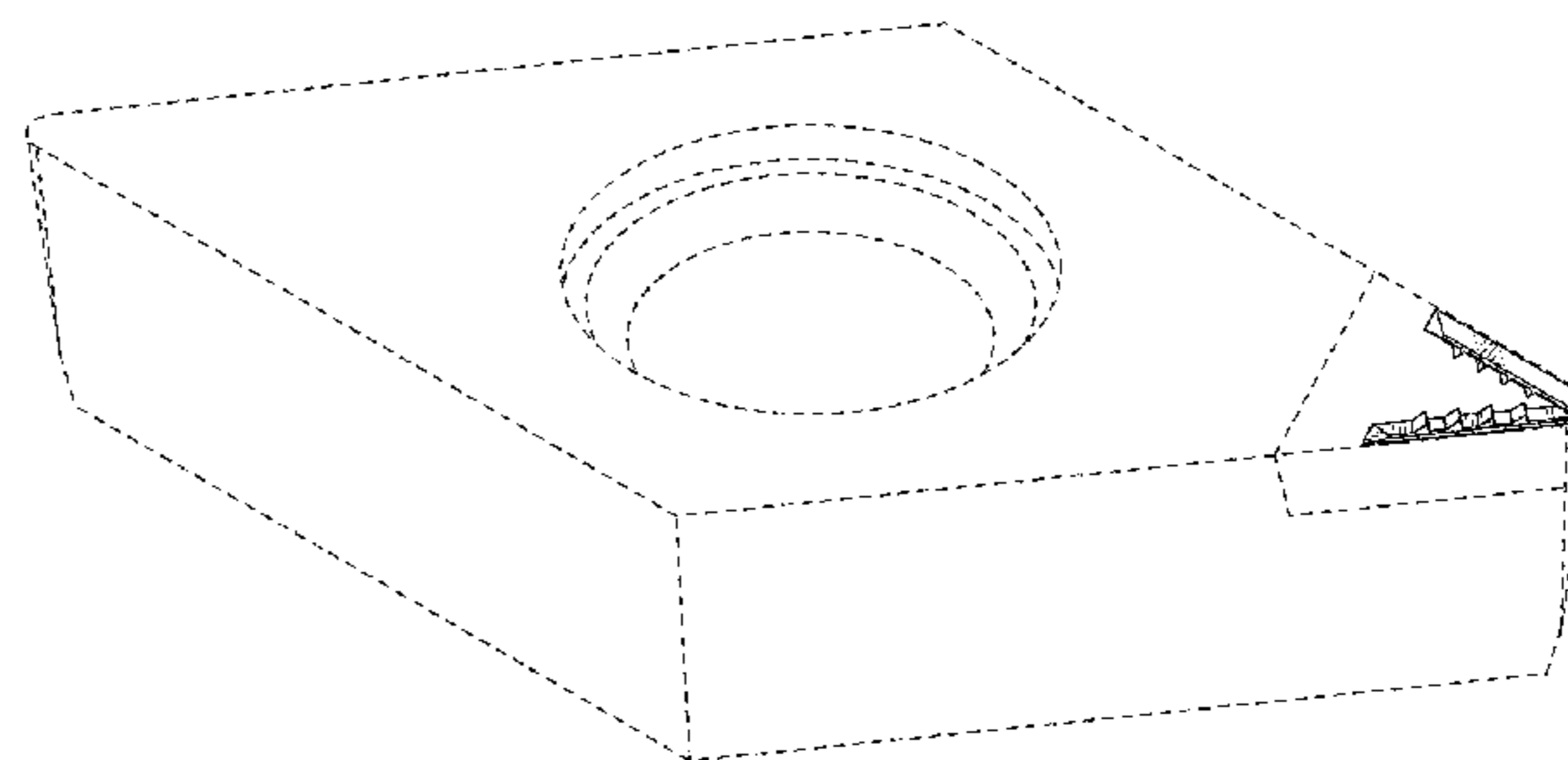
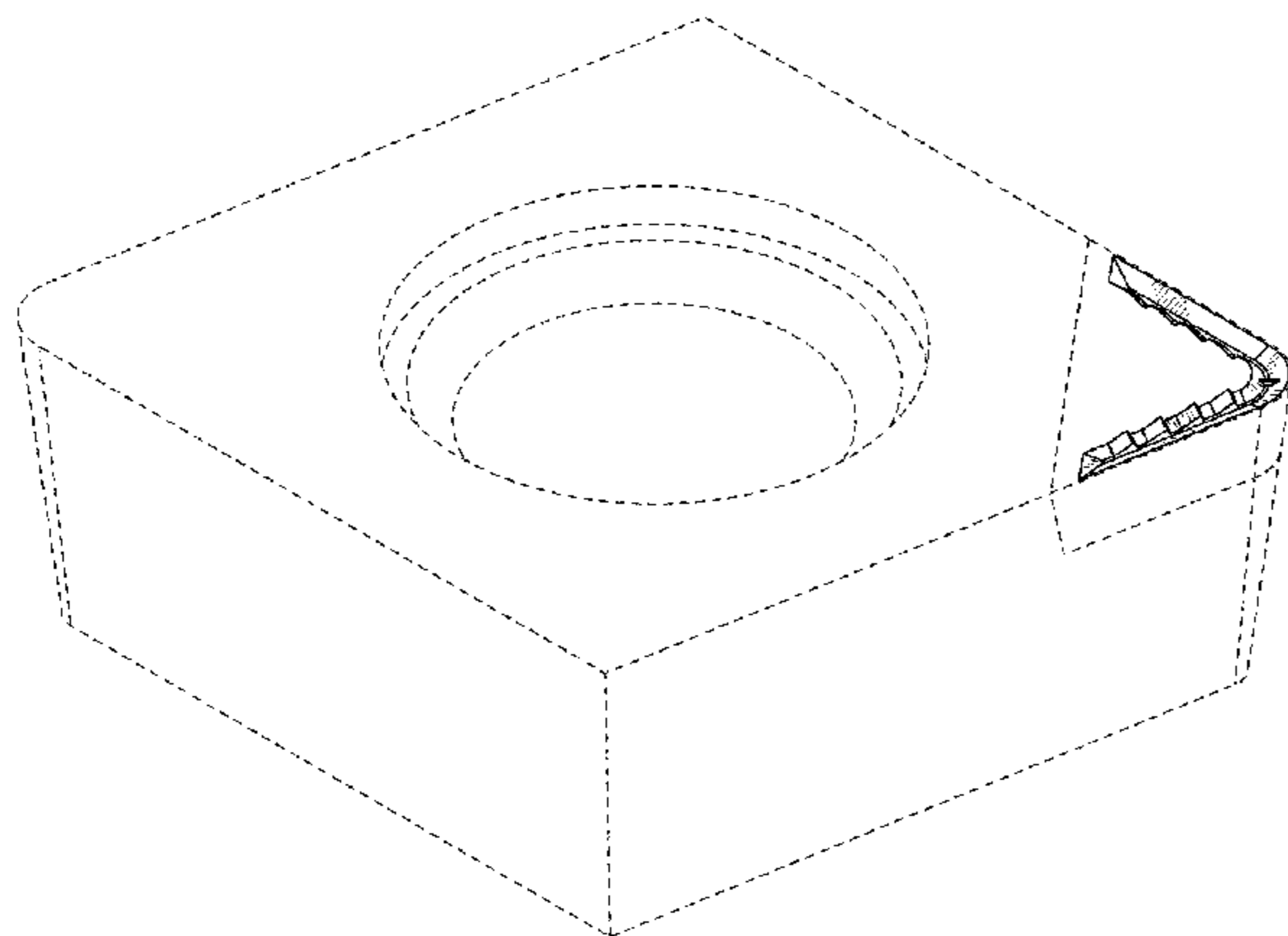


FIG. 17 is a sectional view taken along line 17-17 of FIG. 12 thereof; and,

FIG. 18 is a sectional view taken along line 18-18 of FIG. 12 thereof.

The broken lines shown in the drawings represent portions of the tip for metal cutting tool that form no part of the claimed design.

1 Claim, 18 Drawing Sheets

(30) **Foreign Application Priority Data**

Oct. 30, 2013 (JP) 2013-025262
 Oct. 30, 2013 (JP) 2013-025263

(58) **Field of Classification Search**

CPC . B23B 51/02; B23B 2251/02; B23B 2251/50;
 B23B 27/007; B23B 27/141; B23B
 27/143; B23B 2200/321; B23C 5/06;
 B23C 5/207; B23C 5/2221; B27G 15/00

See application file for complete search history.

(56) **References Cited**

U.S. PATENT DOCUMENTS

D308,975 S * 7/1990 Niebauer D15/130
 5,044,839 A 9/1991 Takahashi
 5,044,840 A 9/1991 Fouquer et al.
 5,116,167 A 5/1992 Niebauer
 5,180,258 A 1/1993 Bernadic
 5,265,985 A 11/1993 Boppana et al.
 D362,859 S 10/1995 Wiman et al.
 5,577,867 A 11/1996 Paya
 D430,178 S 8/2000 Hartlohner et al.
 D432,147 S * 10/2000 Kasperik D15/139

D434,051 S * 11/2000 Kasperik D15/139
 D487,755 S 3/2004 Kasperik et al.
 D487,757 S 3/2004 Kasperik et al.
 D487,758 S 3/2004 Kasperik et al.
 D487,759 S 3/2004 Kasperik et al.
 D488,176 S 4/2004 Kasperik et al.
 D491,588 S 6/2004 Kasperik et al.
 D503,181 S 3/2005 Kasperik et al.
 7,234,901 B2 6/2007 Ishida
 D636,418 S 4/2011 Chen et al.
 7,934,891 B2 5/2011 Jonsson et al.
 8,262,324 B2 9/2012 Park et al.
 8,459,162 B2 6/2013 Kimura et al.
 D748,169 S * 1/2016 Tomoda D15/139
 D755,266 S * 5/2016 Tomoda D15/139
 2009/0226269 A1 * 9/2009 Iyori B23B 27/143
 407/114
 2014/0154019 A1 * 6/2014 Pacheri B23B 27/143
 407/114
 2015/0016902 A1 1/2015 Okamura et al.
 2015/0078844 A1 * 3/2015 Majima B23B 27/143
 407/114
 2015/0283617 A1 * 10/2015 Nagarajan B23B 27/143
 407/114

FOREIGN PATENT DOCUMENTS

EM 002446542-0003 4/2014
 EM 002446542-0004 4/2014
 JP D801772 S 12/1990

OTHER PUBLICATIONS

Notice in Japanese Design Application No. 2014-008431, dated Feb. 16, 2015.
 Notice in Japanese Design Application No. 2014-008432, dated Feb. 16, 2015.
 Tomoda et al., U.S. Appl. No. 29/489,377, filed Apr. 29, 2014.

* cited by examiner

FIG. 1



FIG.2

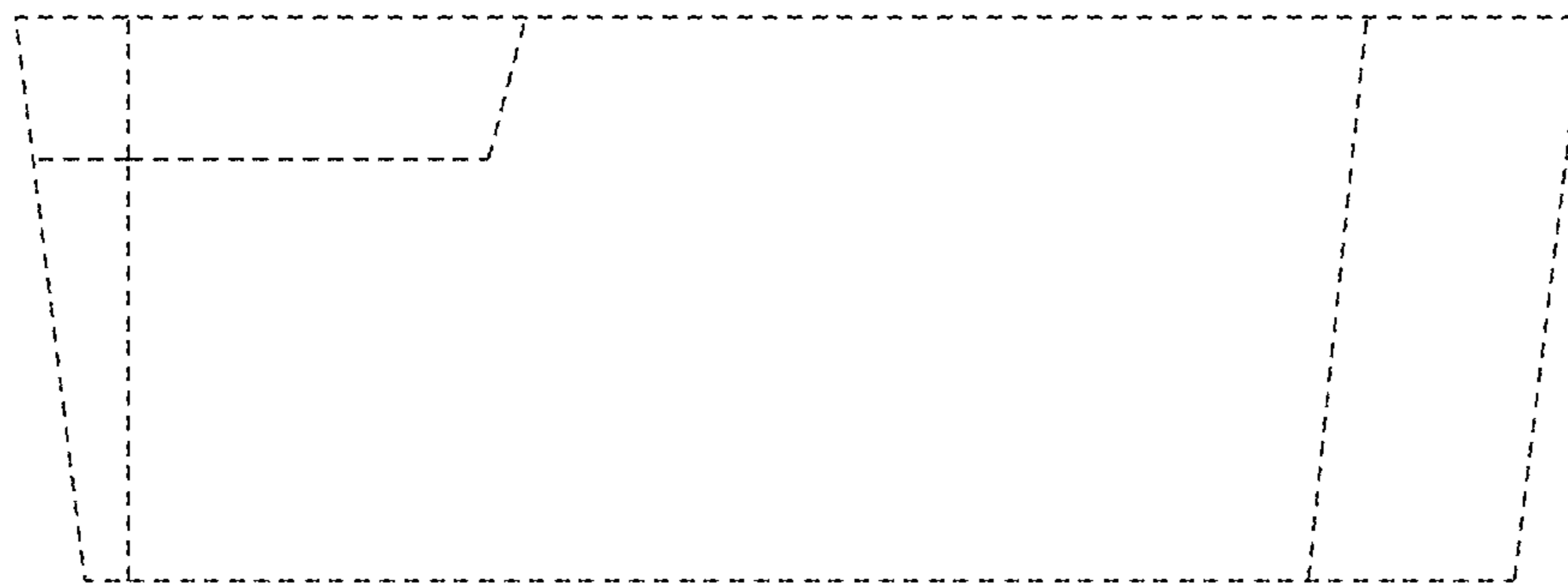


FIG.3

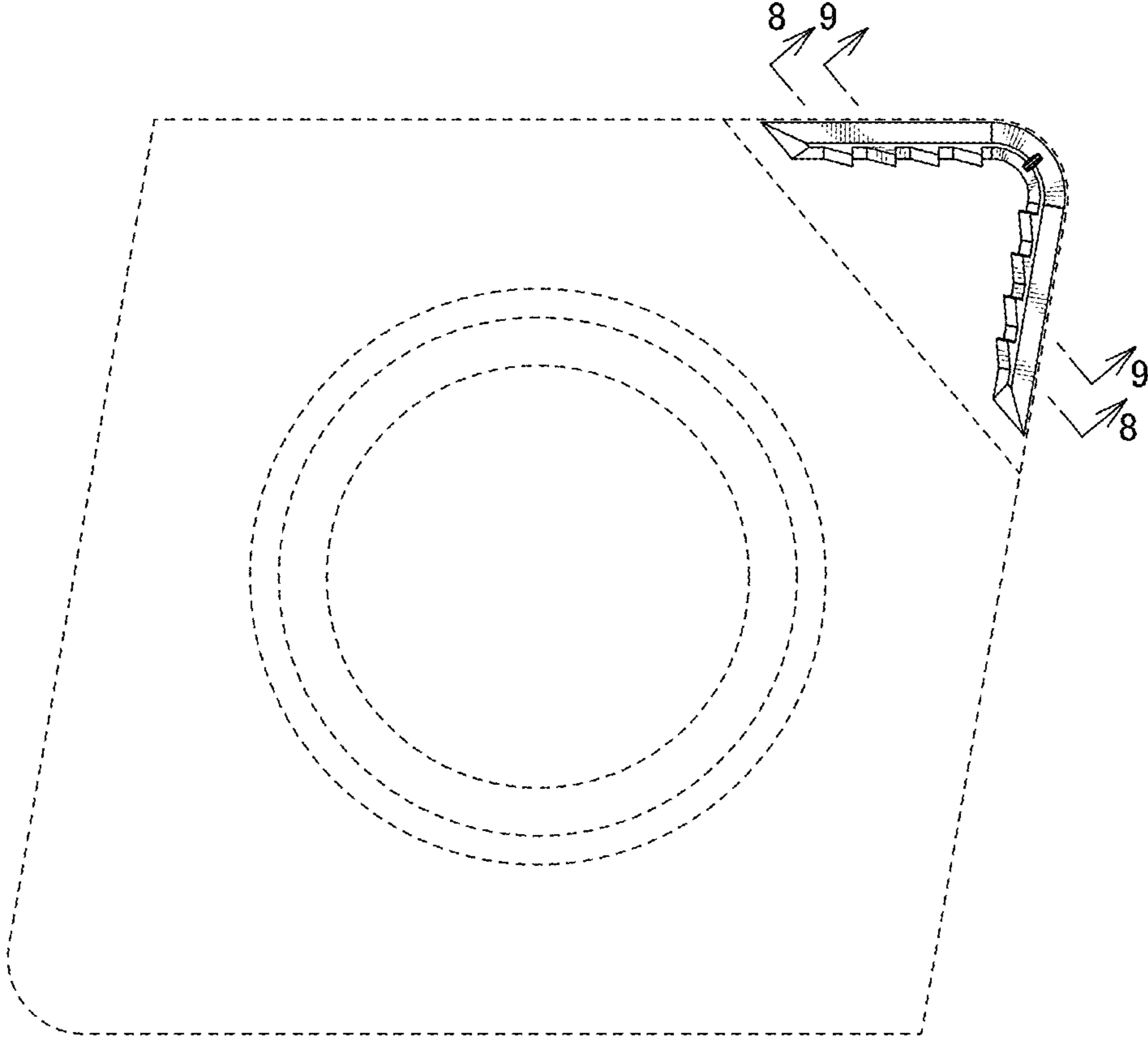


FIG.4

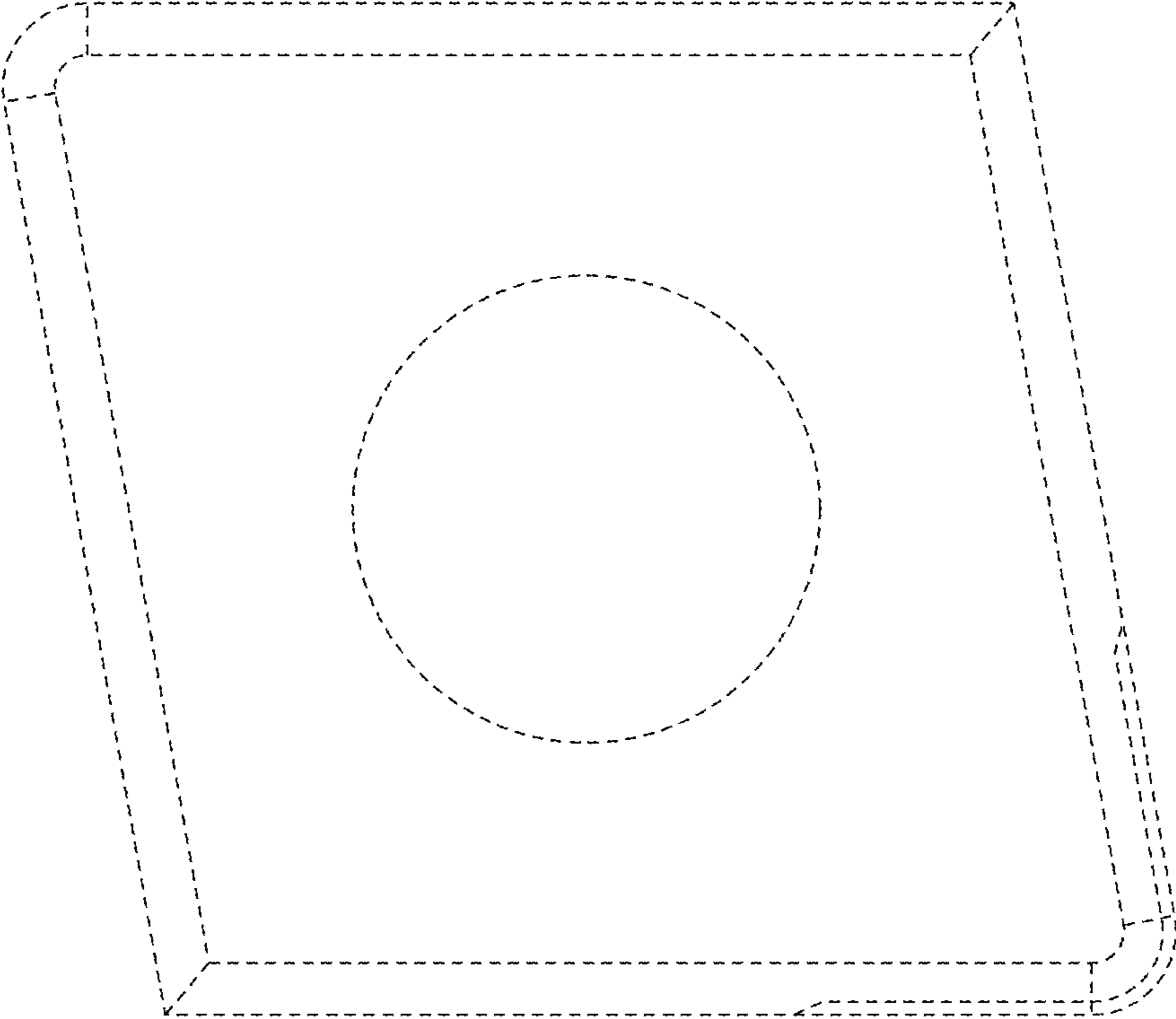


FIG.5



FIG.6

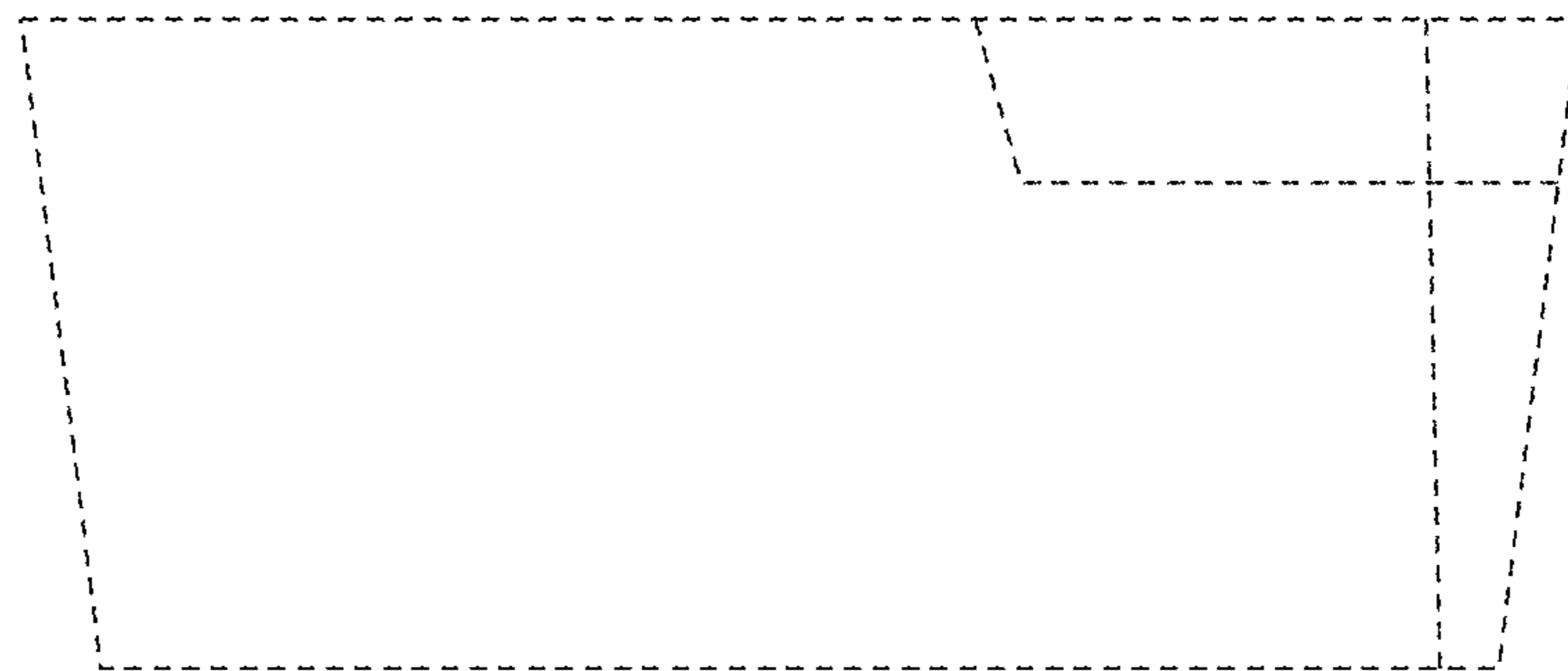


FIG. 7

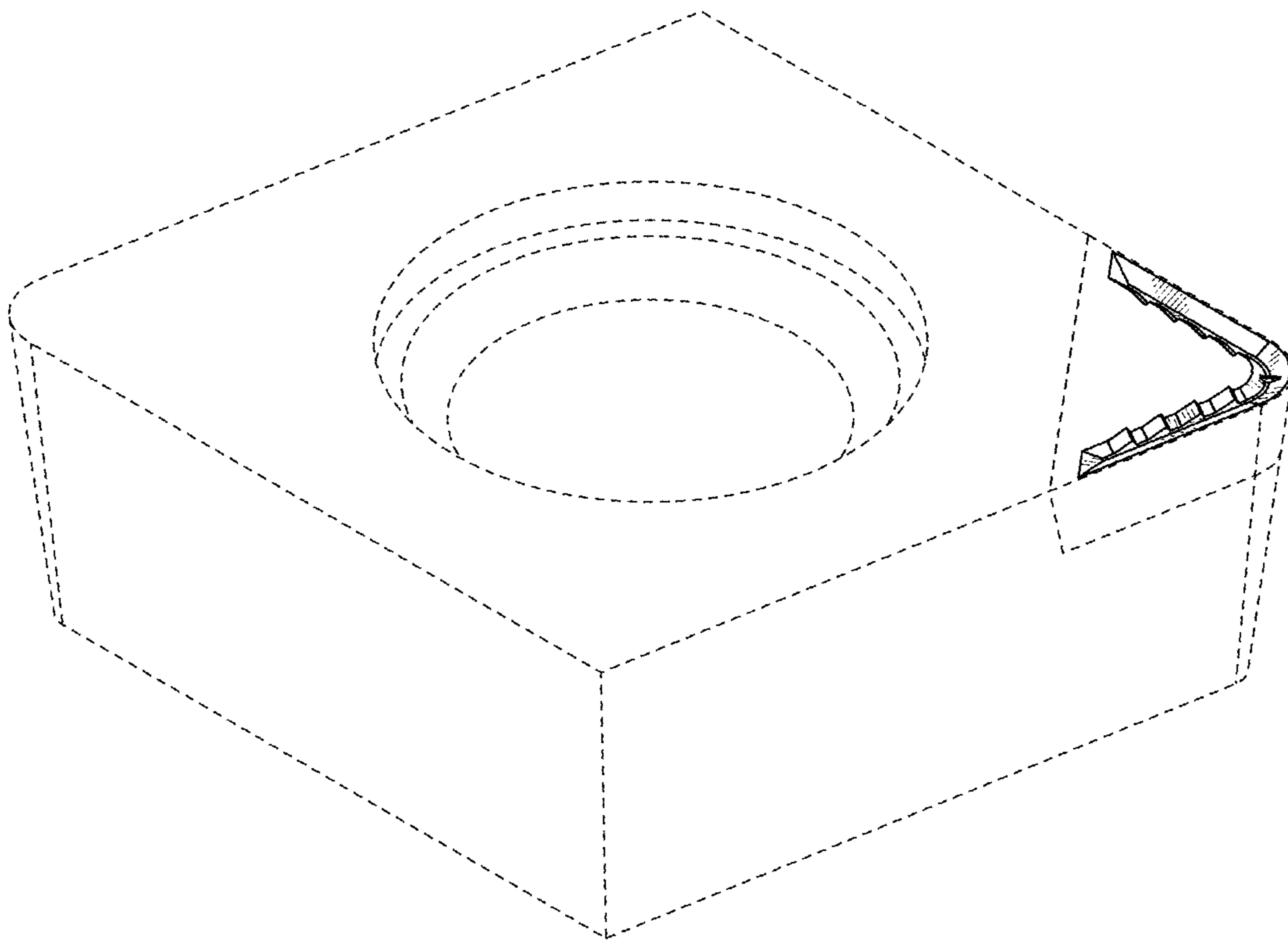


FIG.8

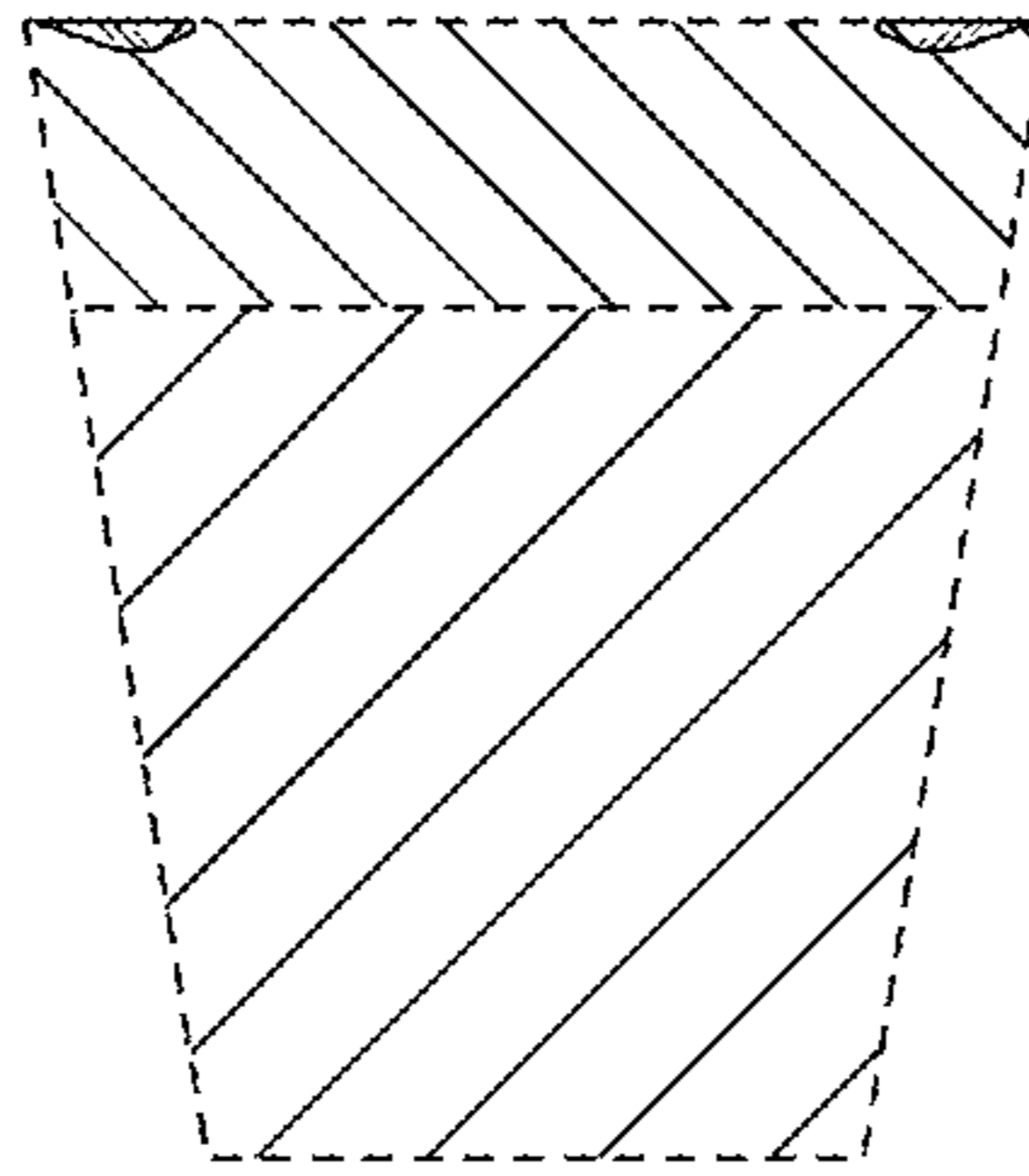


FIG.9

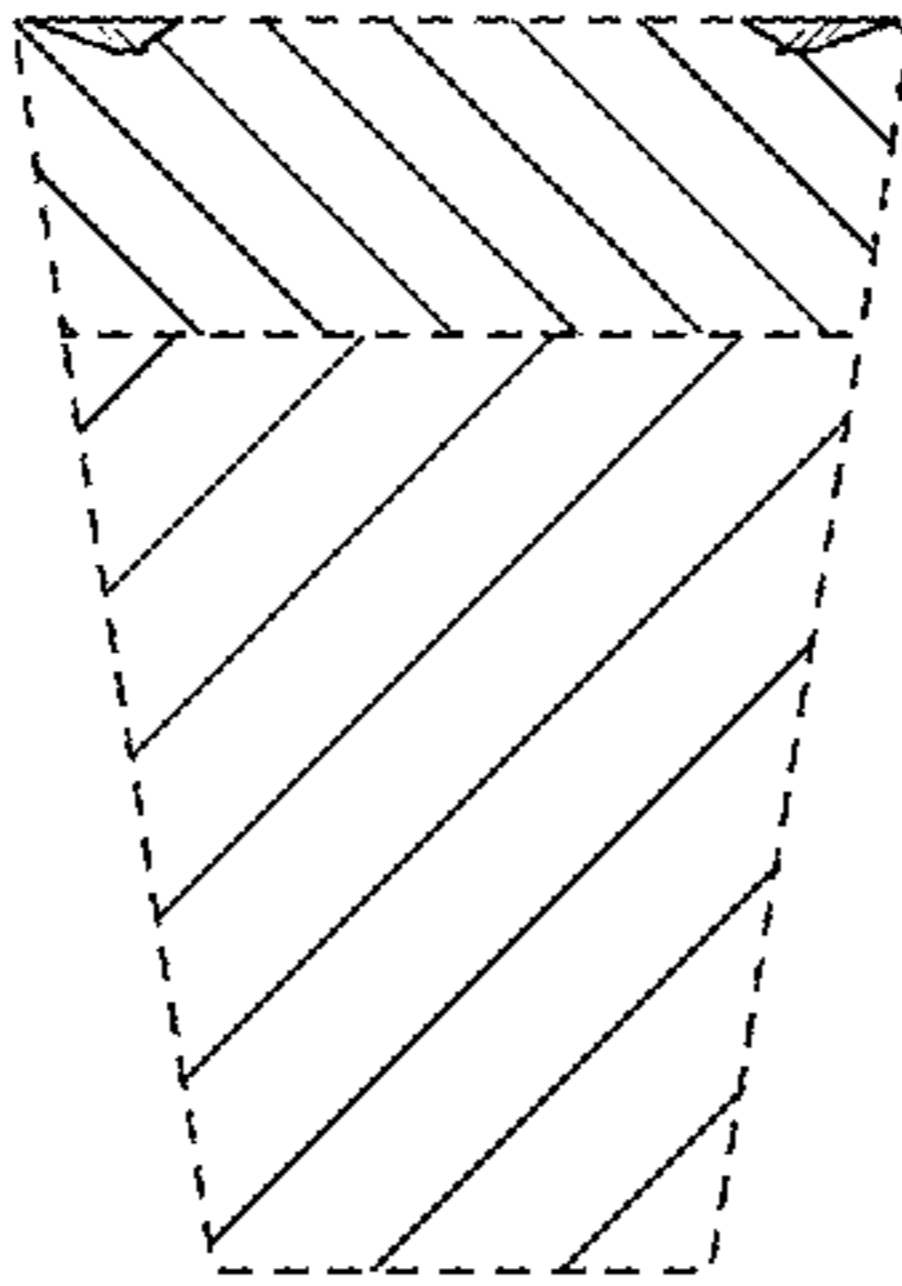


FIG.10



FIG.11



FIG.12

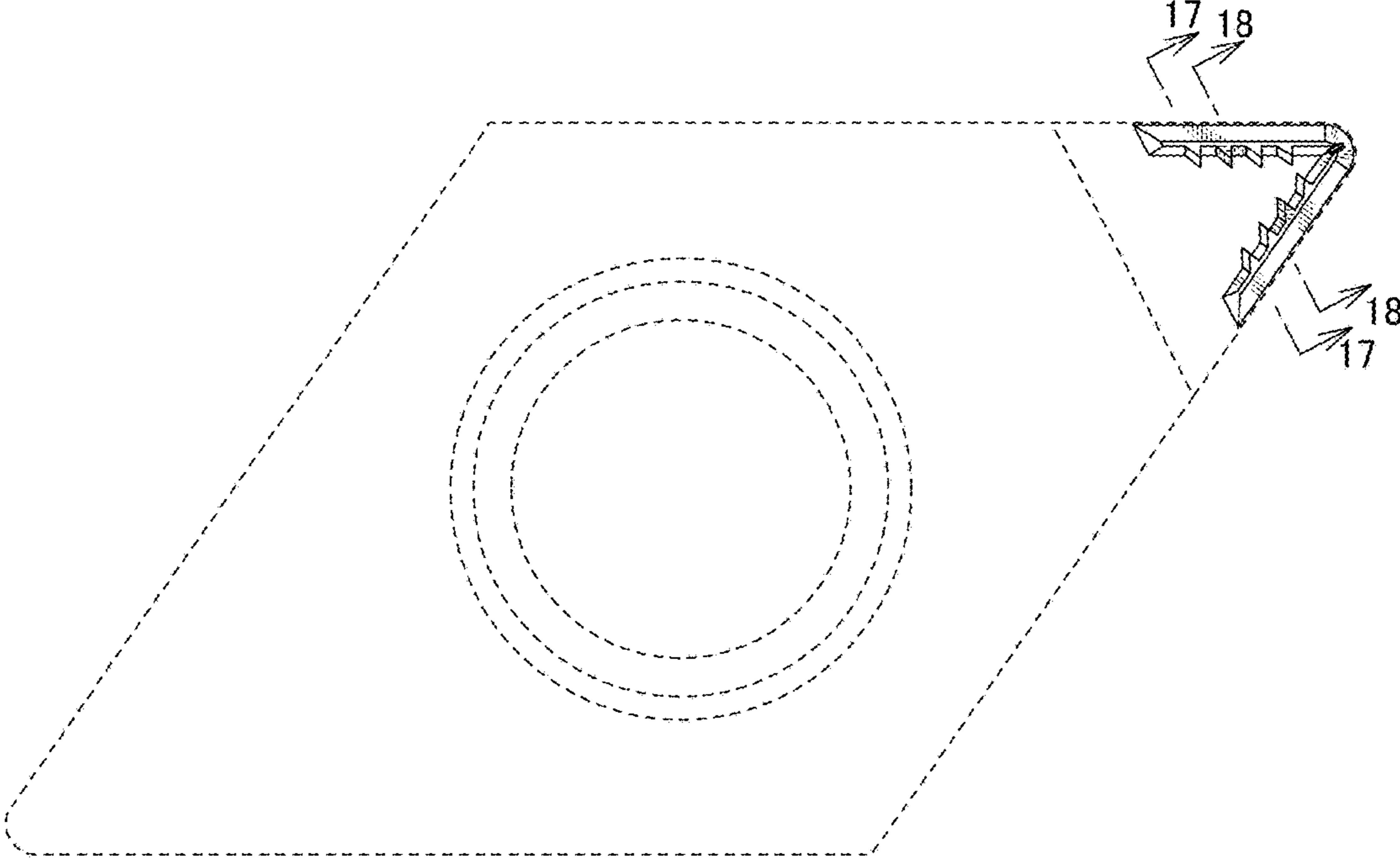


FIG.13

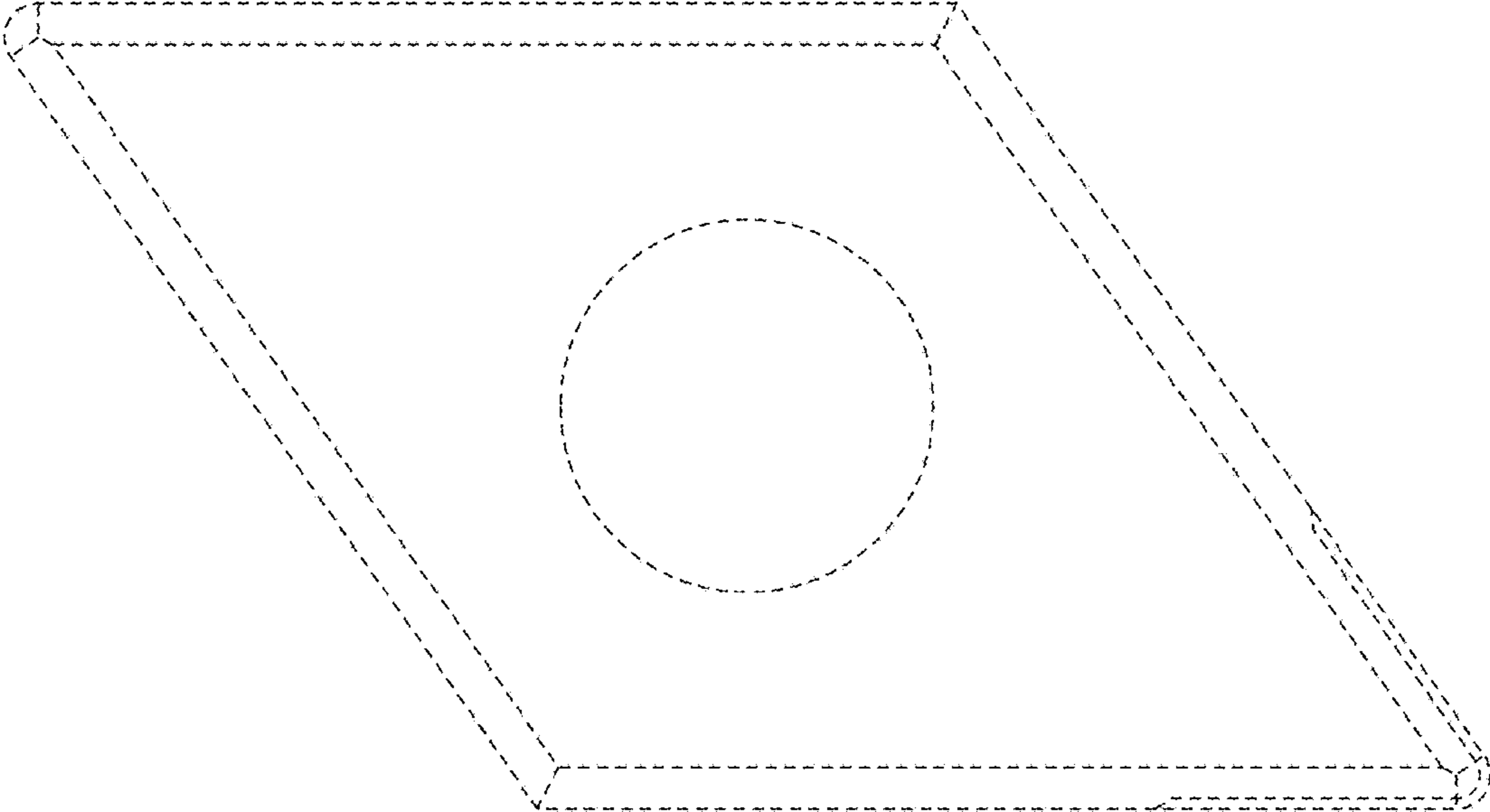


FIG.14



FIG.15

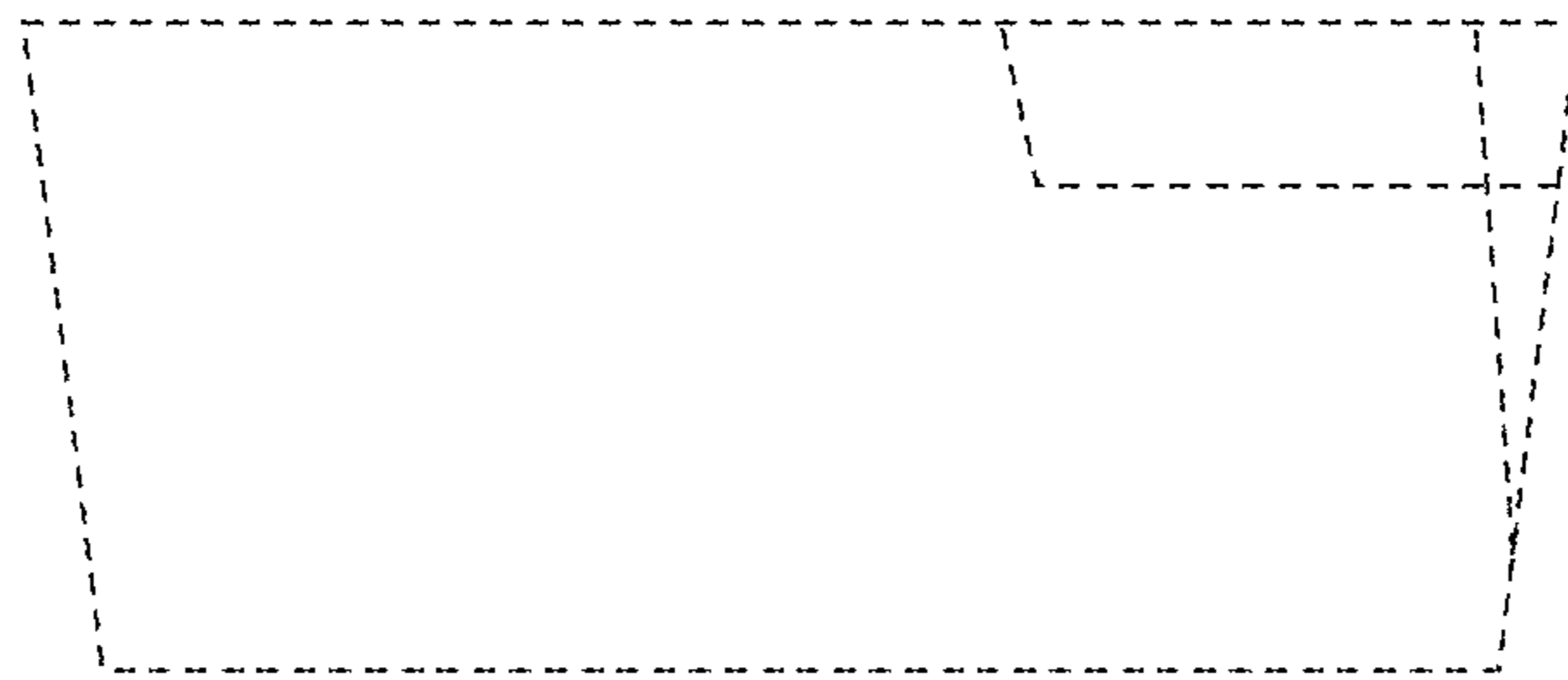


FIG.16

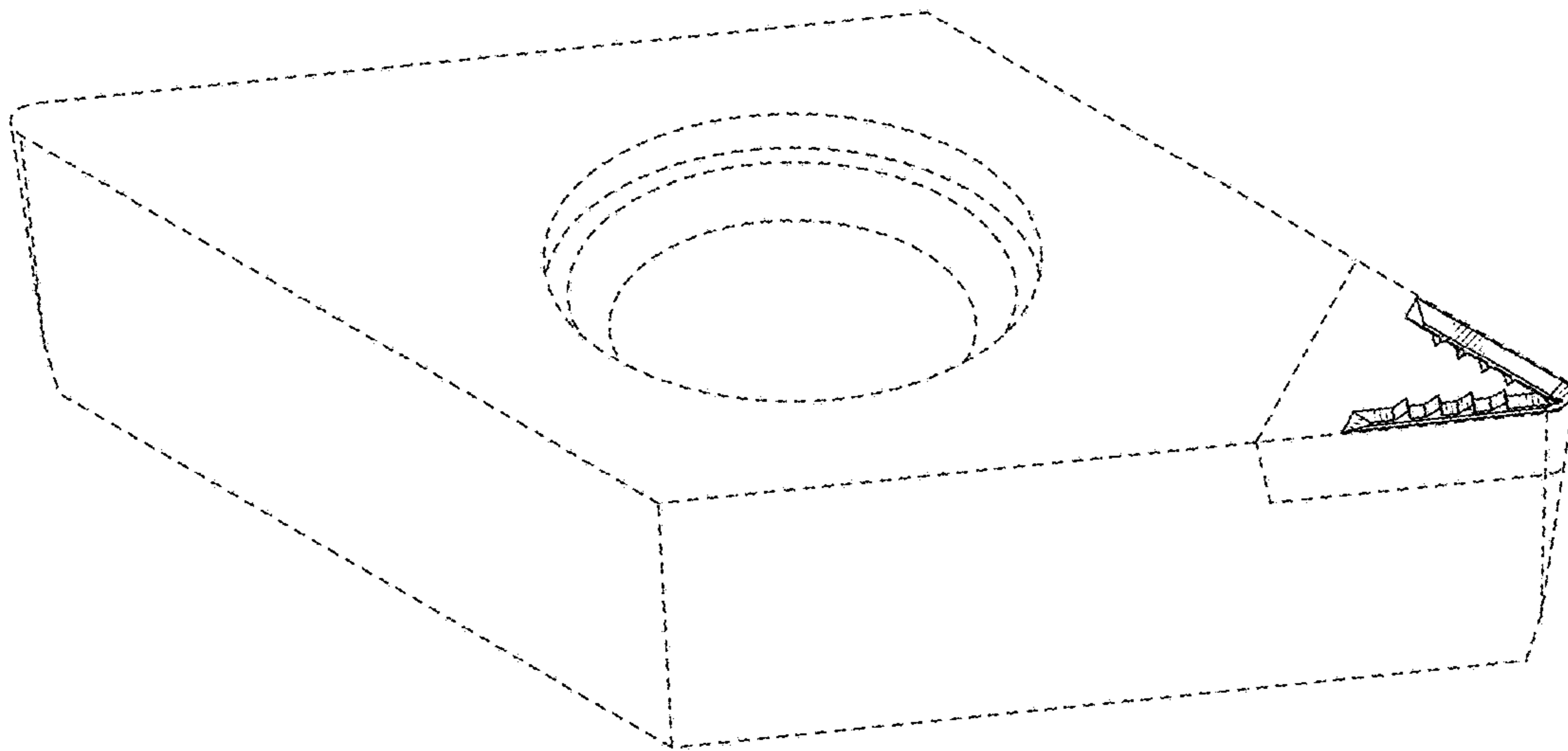


FIG.17

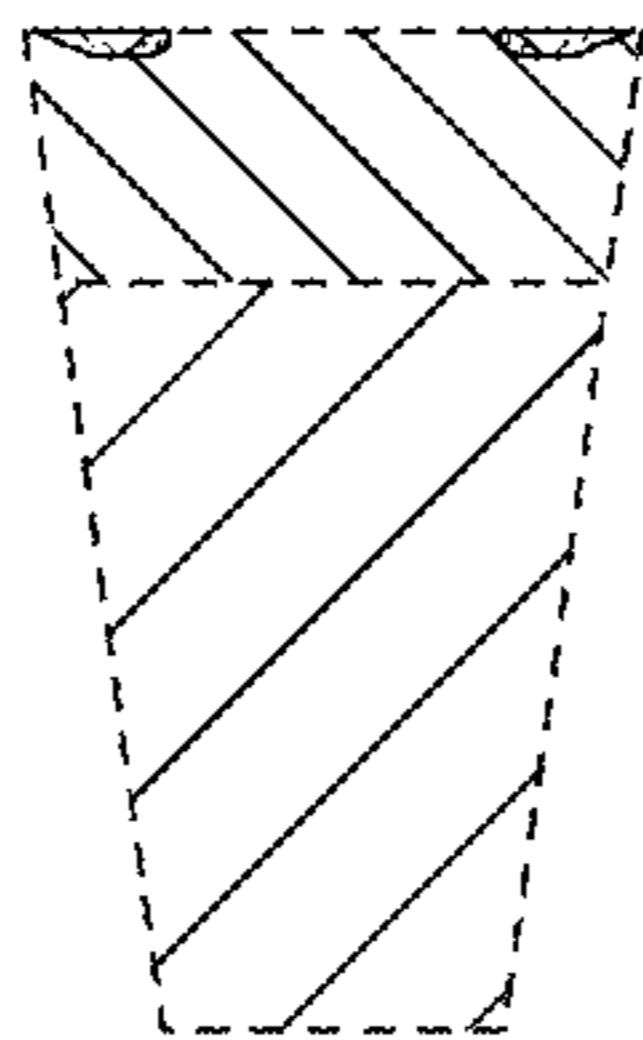


FIG.18

