



US00D799570S

(12) **United States Design Patent** (10) **Patent No.:** **US D799,570 S**
Schindler (45) **Date of Patent:** **** Oct. 10, 2017**

(54) **MACHINING CENTER**
(71) Applicant: **DMG MORI CO., LTD.**, Nara (JP)
(72) Inventor: **Dominic Schindler**, Lauterach (AT)
(**) Term: **15 Years**
(21) Appl. No.: **35/501,079**
(22) Filed: **Dec. 15, 2015**

(80) **Hague Agreement Data**

Int. Filing Date: **Dec. 15, 2015**
Int. Reg. No.: **DM/088831**
Int. Reg. Date: **Dec. 15, 2015**
Int. Reg. Pub. Date: **Jun. 17, 2016**

(51) **LOC (10) Cl.** **15-09**

(52) **U.S. Cl.**
USPC **D15/122**
CPC **B23Q 11/0042** (2013.01)

(58) **Field of Classification Search**
USPC D15/122-131; 29/30-39, 50, 563-566,
29/564.1-564.8; 483/17-57; 409/20-31,
409/134
CPC B23Q 11/00; B23Q 11/08; B23Q 11/0042;
B23Q 15/007
See application file for complete search history.

(56) **References Cited**

U.S. PATENT DOCUMENTS

D122,752 S * 9/1940 Monroe D15/141
D265,912 S * 8/1982 Frenkel D15/138
D319,834 S * 9/1991 Rutschle D15/131
5,367,754 A * 11/1994 Sheehan B23B 3/161
29/27 C
5,960,690 A * 10/1999 Romi B23Q 1/0009
82/118
D445,807 S * 7/2001 Baulk D15/127
D489,077 S * 4/2004 Bloch D15/122
D548,755 S * 8/2007 Takeshima D15/122

D559,871 S * 1/2008 Kittaka D15/122
D578,144 S * 10/2008 Arisue D15/122
D638,449 S * 5/2011 Schindler D15/122
D651,620 S * 1/2012 Schindler D15/122
D654,099 S * 2/2012 Schindler D15/122
D654,518 S * 2/2012 Miyake D15/122
D658,686 S * 5/2012 Mueller D15/122
D671,969 S * 12/2012 Yang D15/122
D676,882 S * 2/2013 Mueller D15/122
D680,563 S * 4/2013 Yang D15/122
D694,787 S * 12/2013 Mueller D15/122
D696,315 S * 12/2013 Schmid D15/122
D700,638 S * 3/2014 Shou D15/123
D711,947 S * 8/2014 Son D15/199
D711,948 S * 8/2014 Son D15/199
D718,795 S * 12/2014 Schonherr D15/122
D745,070 S * 12/2015 Schindler D15/122
D759,738 S * 6/2016 Schonherr D15/122
D778,329 S * 2/2017 Grobe D15/122
D781,357 S * 3/2017 Inaba D15/122
2002/0170689 A1 * 11/2002 Yamagami B23Q 11/08
160/368.1
2013/0061726 A1 * 3/2013 Katsu B23B 23/00
82/1.11

(Continued)

Primary Examiner — Richard E Chilcot

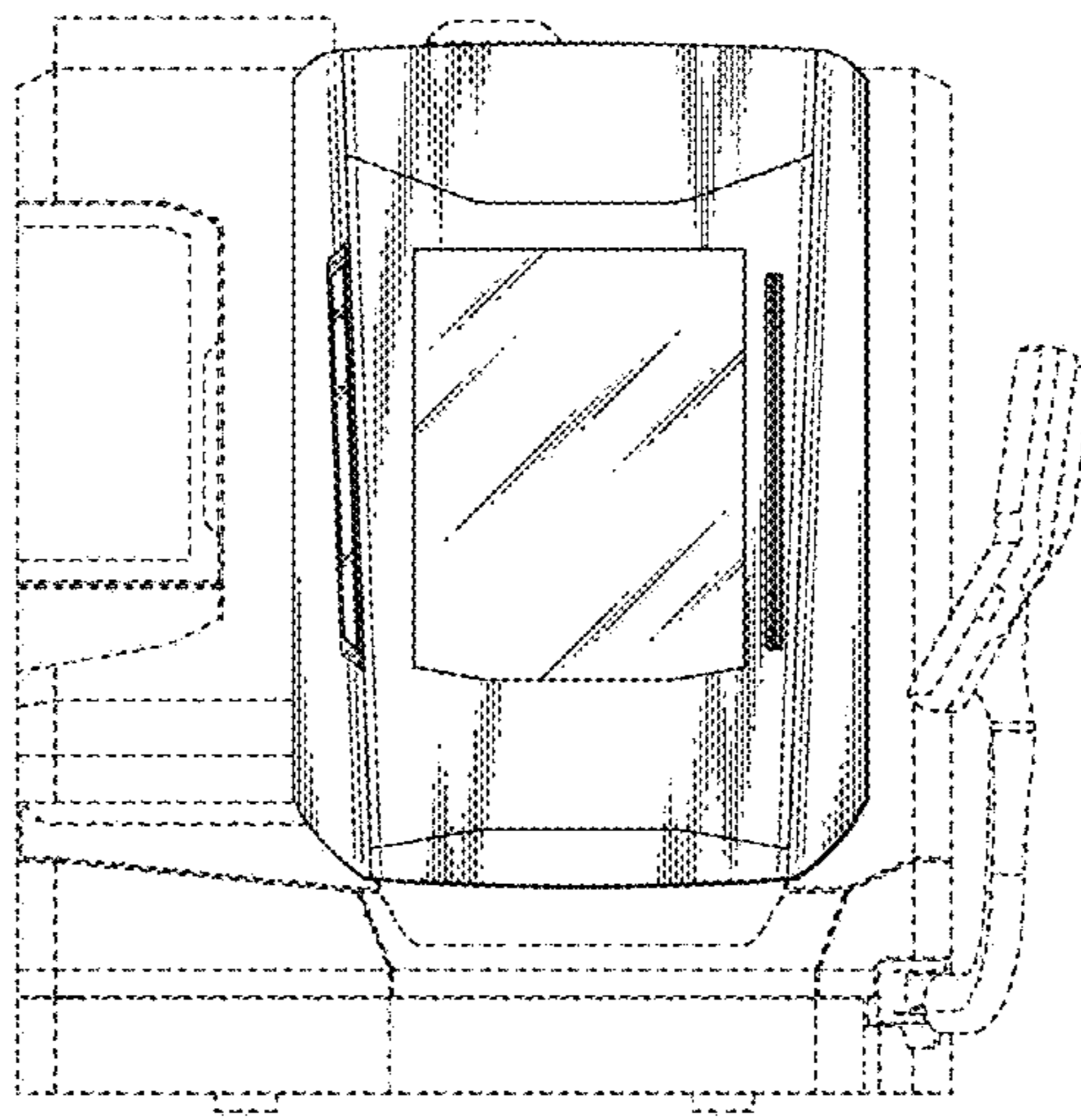
(57) **CLAIM**

The ornamental design for a machining center, as shown and described.

DESCRIPTION

1. Machining center
View **1.1** is a front view of a machining center which has a door with a transparent window, showing my new design; view **1.2** is a back view thereof; view **1.3** is a top view thereof; view **1.4** is a bottom view thereof; view **1.5** is a right view thereof; and view **1.6** is a left view thereof; the portion indicated by the solid lines is a portion seeking for a design registration as a partial design, and the broken lines shown in the drawings represent portions of the machining center that form no part of the claimed design.

1 Claim, 6 Drawing Sheets



(56)

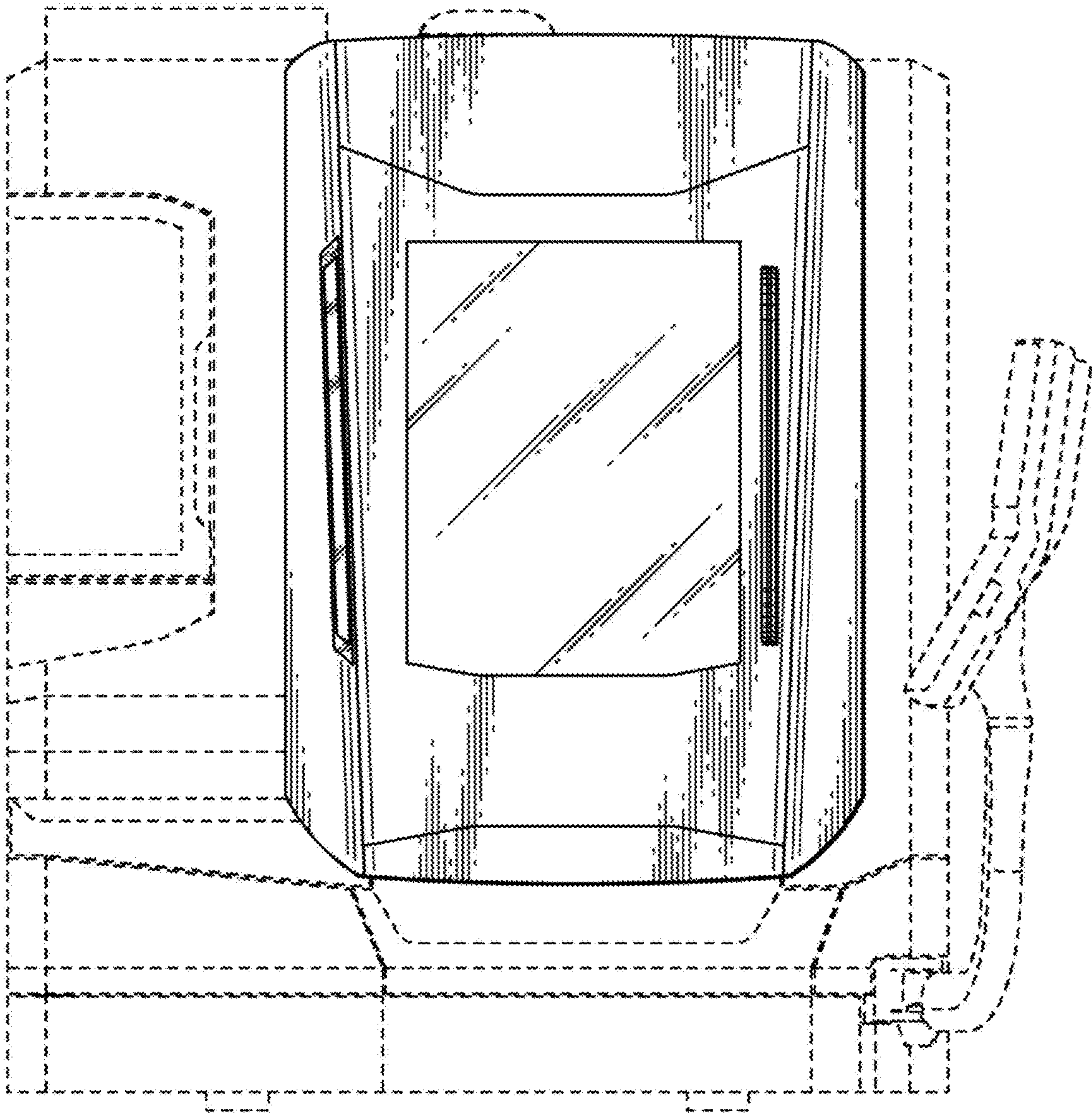
References Cited

U.S. PATENT DOCUMENTS

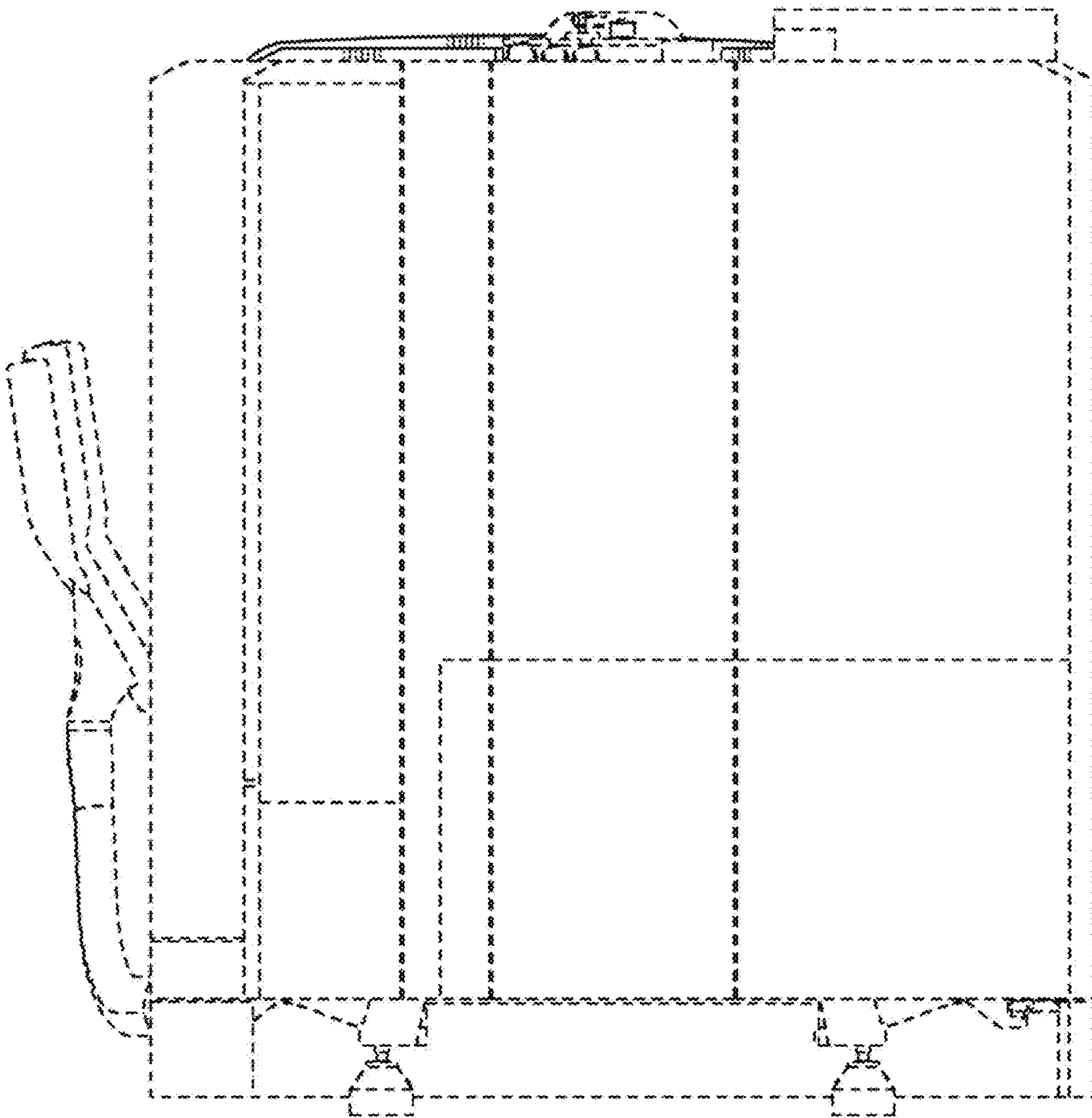
2014/0069609 A1* 3/2014 Caihuzac B23Q 11/128
165/67
2014/0174774 A1* 6/2014 Okamoto B23Q 17/007
173/20
2014/0319746 A1* 10/2014 Kozawa B23Q 7/04
269/14
2014/0341669 A1* 11/2014 Fleischer B23F 23/04
409/20
2014/0377028 A1* 12/2014 Inaguchi B23Q 11/0042
409/134

* cited by examiner

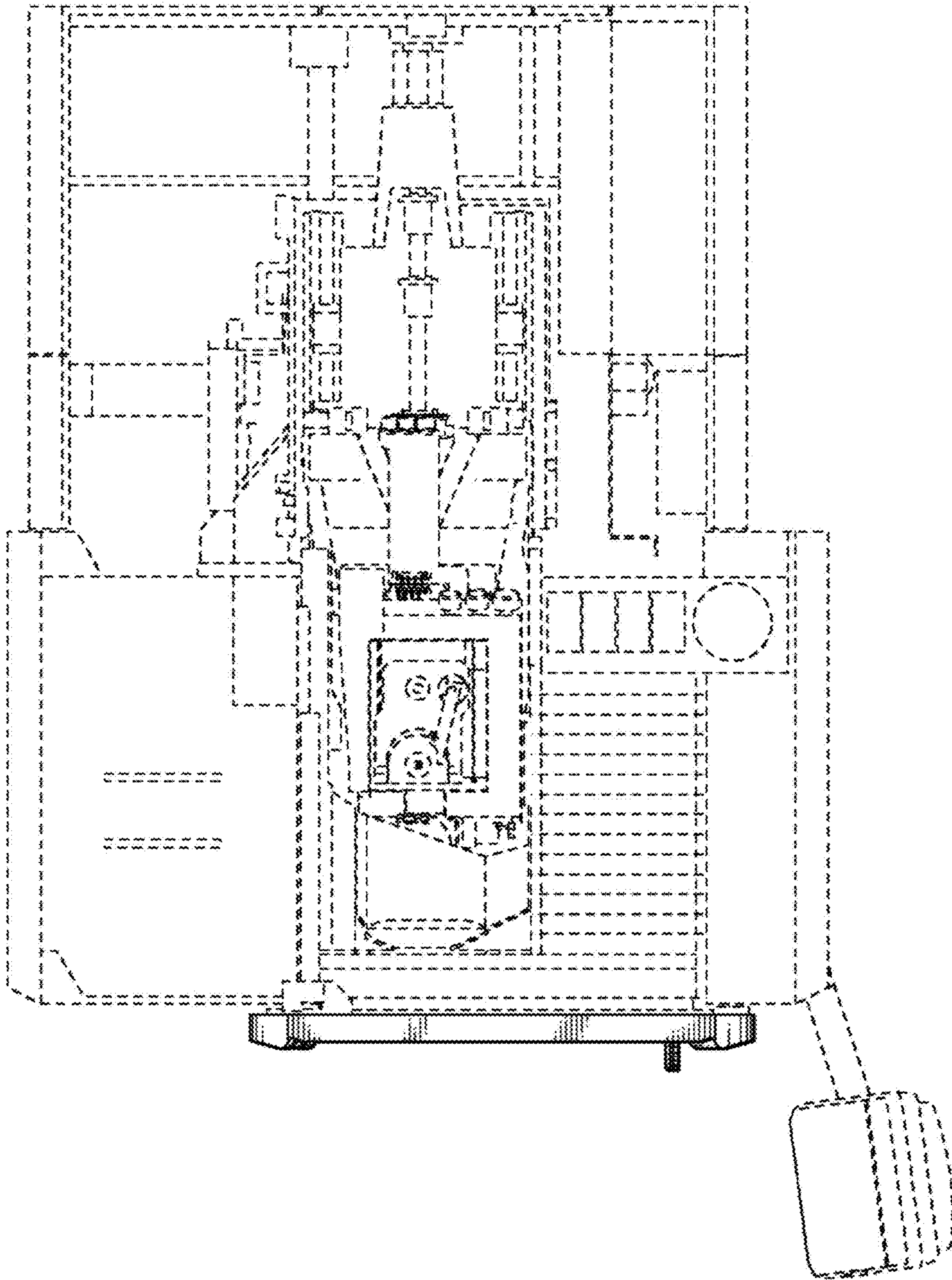
1.1



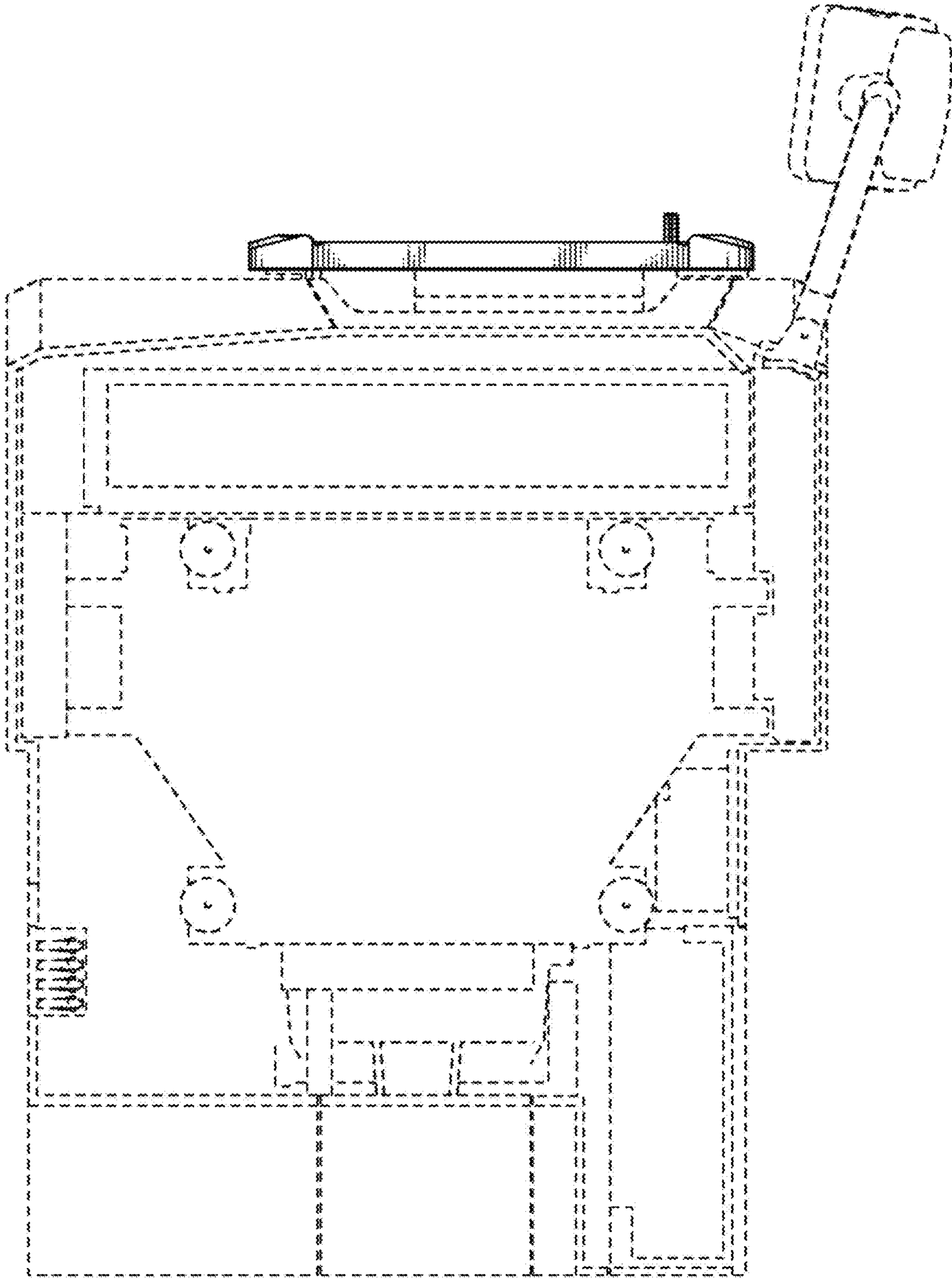
1.2



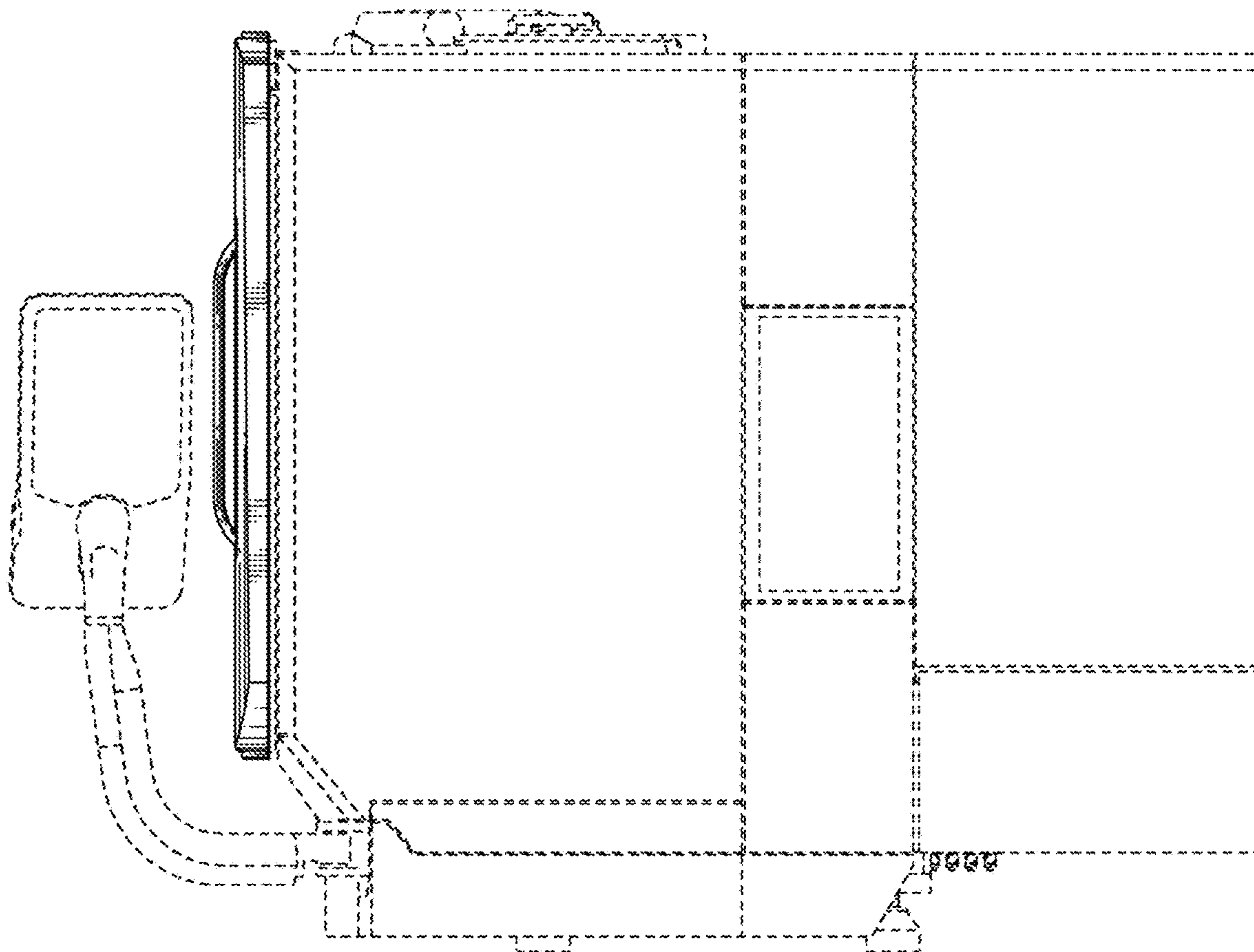
1.3



1.4



1.5



1.6

