



US00D799568S

(12) **United States Design Patent** (10) **Patent No.:** **US D799,568 S**
Cesar et al. (45) **Date of Patent:** **** Oct. 10, 2017**

(54) **THREE DIMENSIONAL PRINTER SUPPLY UNPACKING, COOLING AND REFILLING UNIT**

47/1045; B29C 47/48; B29C 47/522; B29C 47/786; B29C 47/86; B29C 47/862; B29C 67/0066; B29C 67/0074

See application file for complete search history.

(71) Applicant: **Hewlett-Packard Development Company, L.P.**

(56) **References Cited**

(72) Inventors: **Javier Alfonso Cesar**, Sant Cugat del Valles (ES); **Andreu Oliver**, Barcelona (ES); **Marc Morros**, Terrassa (ES)

U.S. PATENT DOCUMENTS

(73) Assignee: **Hewlett-Packard Development Company, L.P.**, Houston, TX (US)

D266,327 S *	9/1982	Haight	D15/135
D337,334 S *	7/1993	Matsui	D15/135
D420,371 S *	2/2000	Strong	D15/135
D423,023 S *	4/2000	Strong	D15/135
D702,760 S *	4/2014	Kim	D18/55
D716,966 S *	11/2014	Lizari Illarramendi	D24/232
D724,456 S *	3/2015	Antonczak	D10/81
D730,980 S *	6/2015	Kohno	D18/53
D739,459 S *	9/2015	Murata	D18/50
D758,486 S *	6/2016	Nakagawa	D18/55

(**) Term: **15 Years**

(Continued)

(21) Appl. No.: **29/563,824**

Primary Examiner — Ian Simmons

(22) Filed: **May 9, 2016**

Assistant Examiner — Khawaja Anwar

(51) **LOC (10) Cl.** **15-09**

(52) **U.S. Cl.**

(74) *Attorney, Agent, or Firm* — HP Inc. Patent Department

USPC **D15/122**

(58) **Field of Classification Search**

USPC D14/420–425; D18/14, 19, 36–39, 50, D18/53, 54, 54.1, 55; D15/122, 135

(57) **CLAIM**

CPC B33Y 10/00; B33Y 30/00; B33Y 80/00; B33Y 50/02; B33Y 50/00; B33Y 70/00; B33Y 40/00; B29C 67/0055; B29C

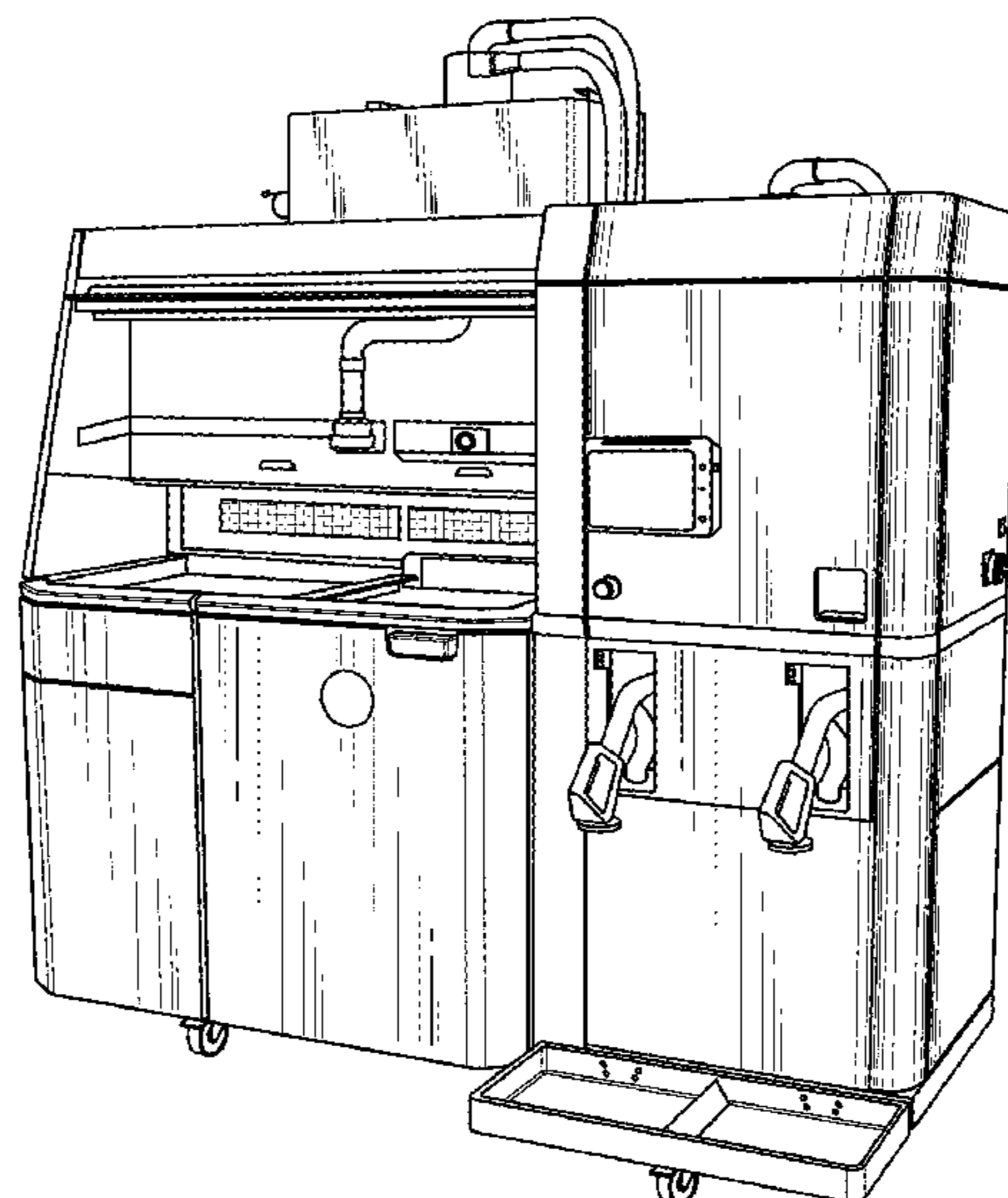
We claim the ornamental design for a three dimensional printer supply unpacking, cooling and refilling unit, as shown and described.

DESCRIPTION

67/0088; B29C 67/0059; B29C 67/0085; B29C 67/0092; B29C 67/0051; B29C 67/0077; B29C 67/0081; B29C 2947/92571; B29C 47/0004; B29C 47/0014; B29C 47/0813; B29C 47/92; B29C 67/007; B29C 67/0096; B29C 2043/182; B29C 2043/189; B29C 2793/0081; B29C 2793/009; B29C 2947/9258; B29C 2947/92704; B29C 2947/92904; B29C 35/0805; B29C 43/18; B29C 44/1271; B29C 45/14819; B29C 47/0002; B29C 47/0066; B29C 47/026; B29C 47/0801; B29C 47/0811; B29C

FIG. 1 is a front right perspective view of a three dimensional printer supply unpacking, cooling and refilling unit; FIG. 2 is a front left perspective view thereof; FIG. 3 is a right side view thereof; FIG. 4 is a left side view thereof; FIG. 5 is a front view thereof; FIG. 6 is a rear view thereof; FIG. 7 is a top view thereof; and, FIG. 8 is a bottom view thereof.

1 Claim, 7 Drawing Sheets



(56)

References Cited

U.S. PATENT DOCUMENTS

D763,958 S * 8/2016 Kim D18/53
D769,965 S * 10/2016 Clark, III D18/55

* cited by examiner

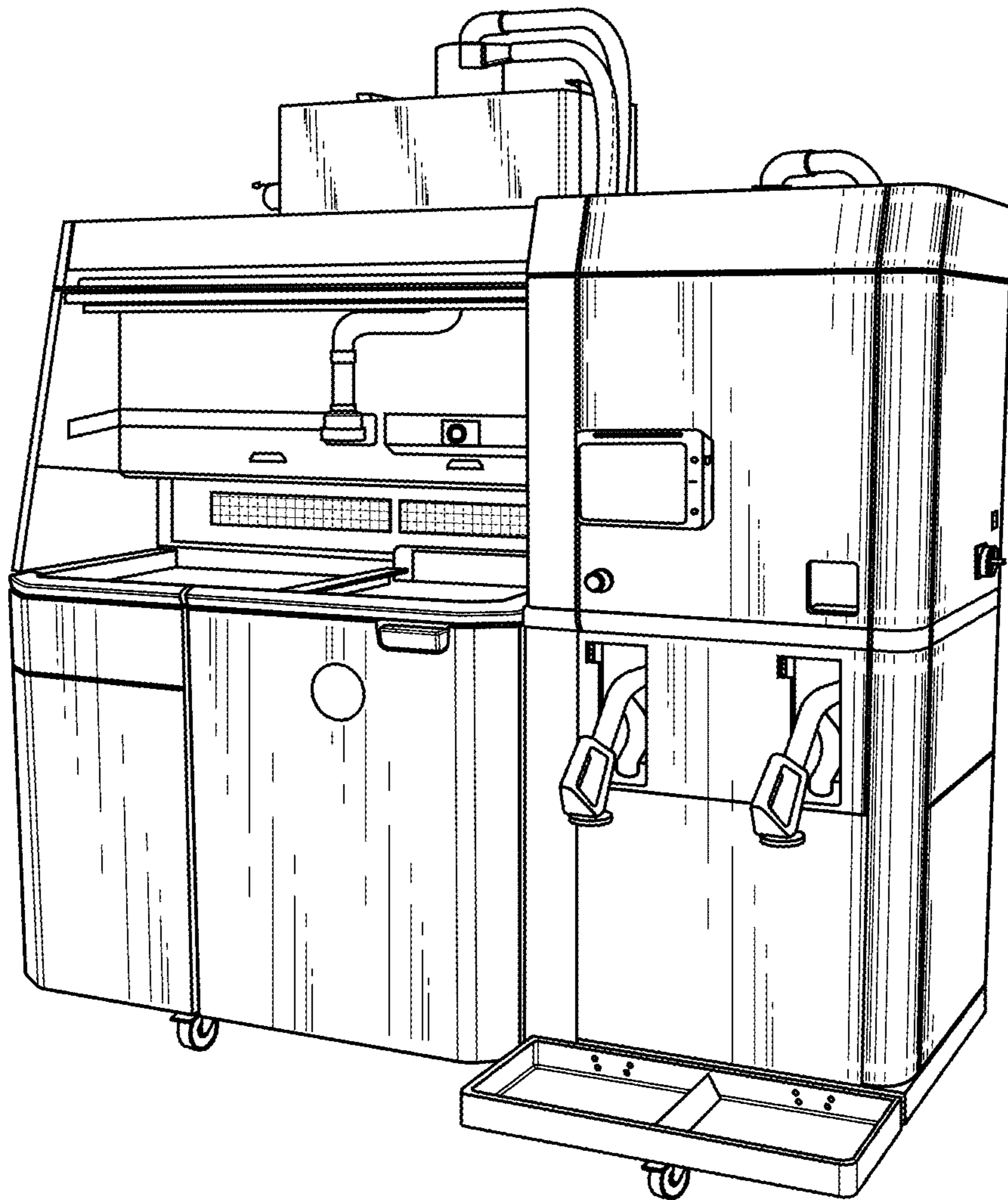


FIG. 1

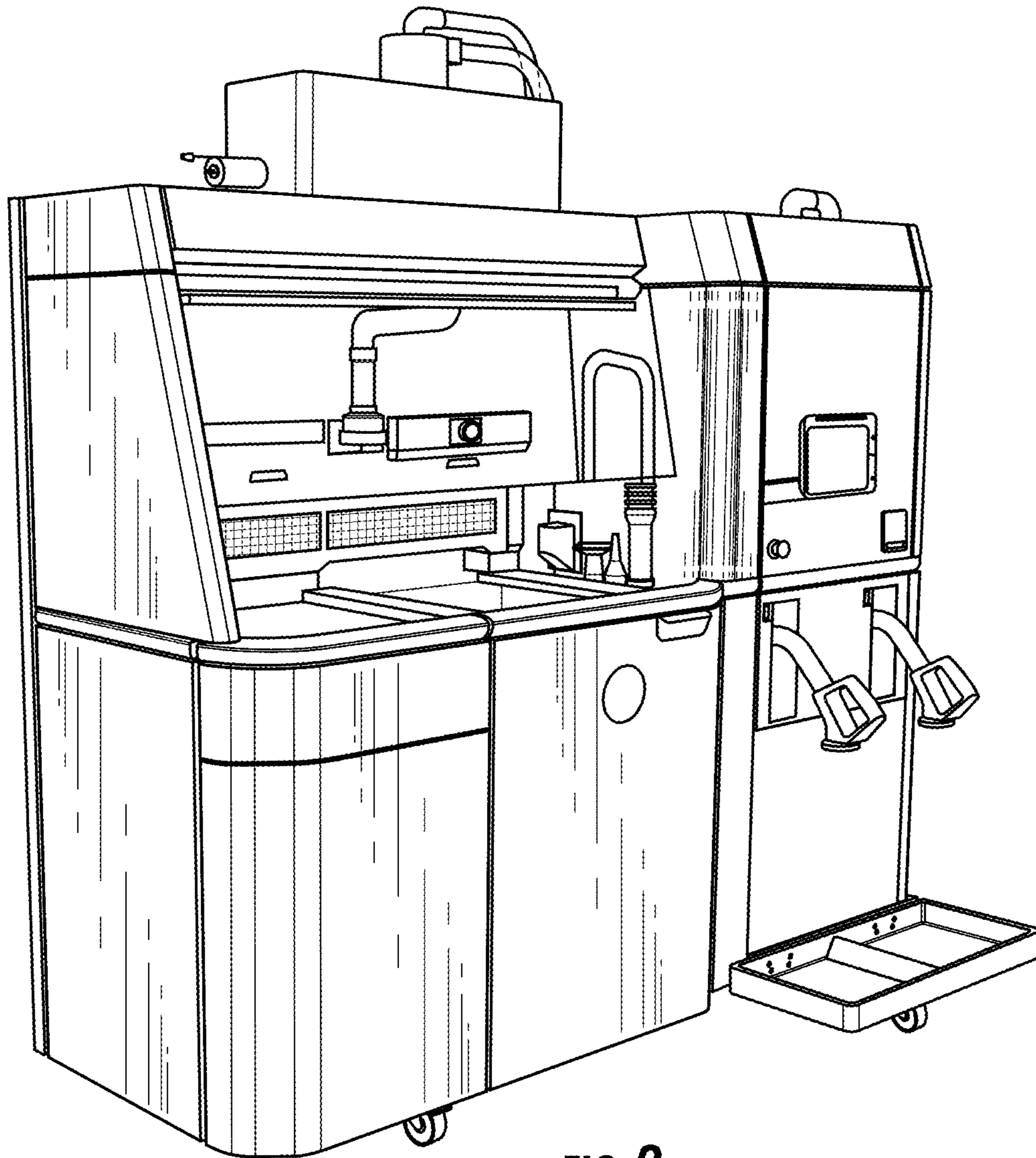


FIG. 2

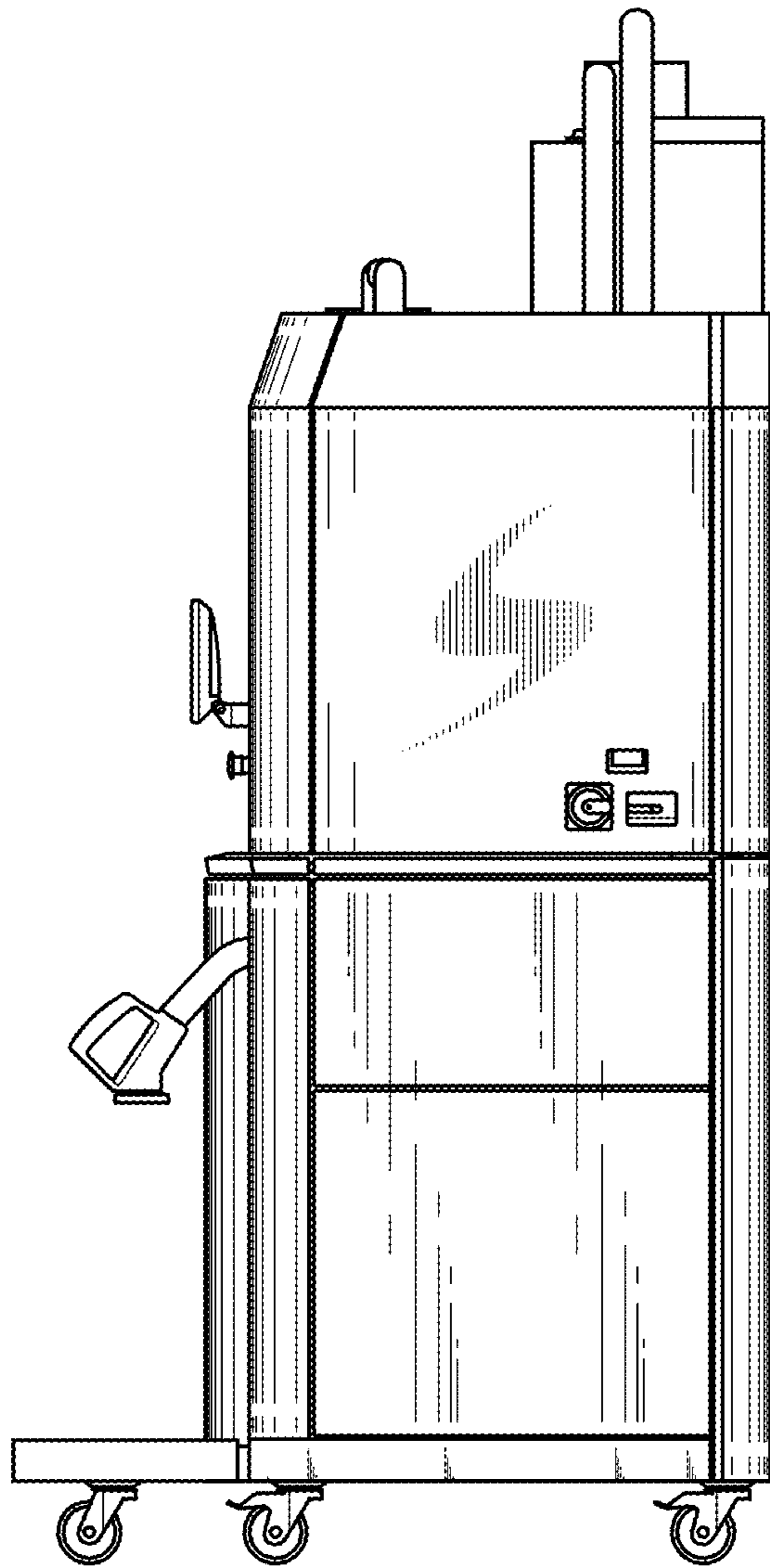


FIG. 3

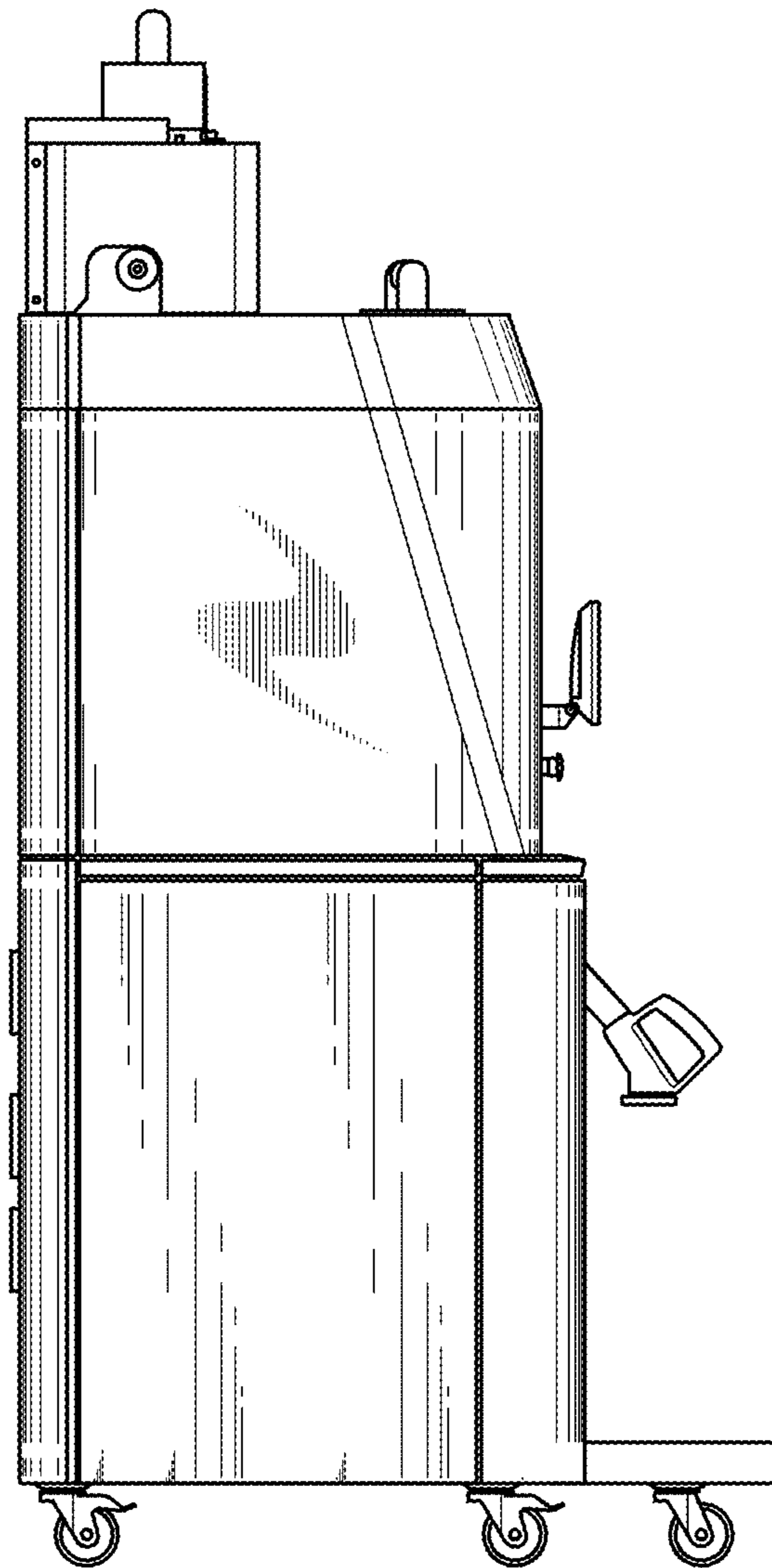


FIG. 4

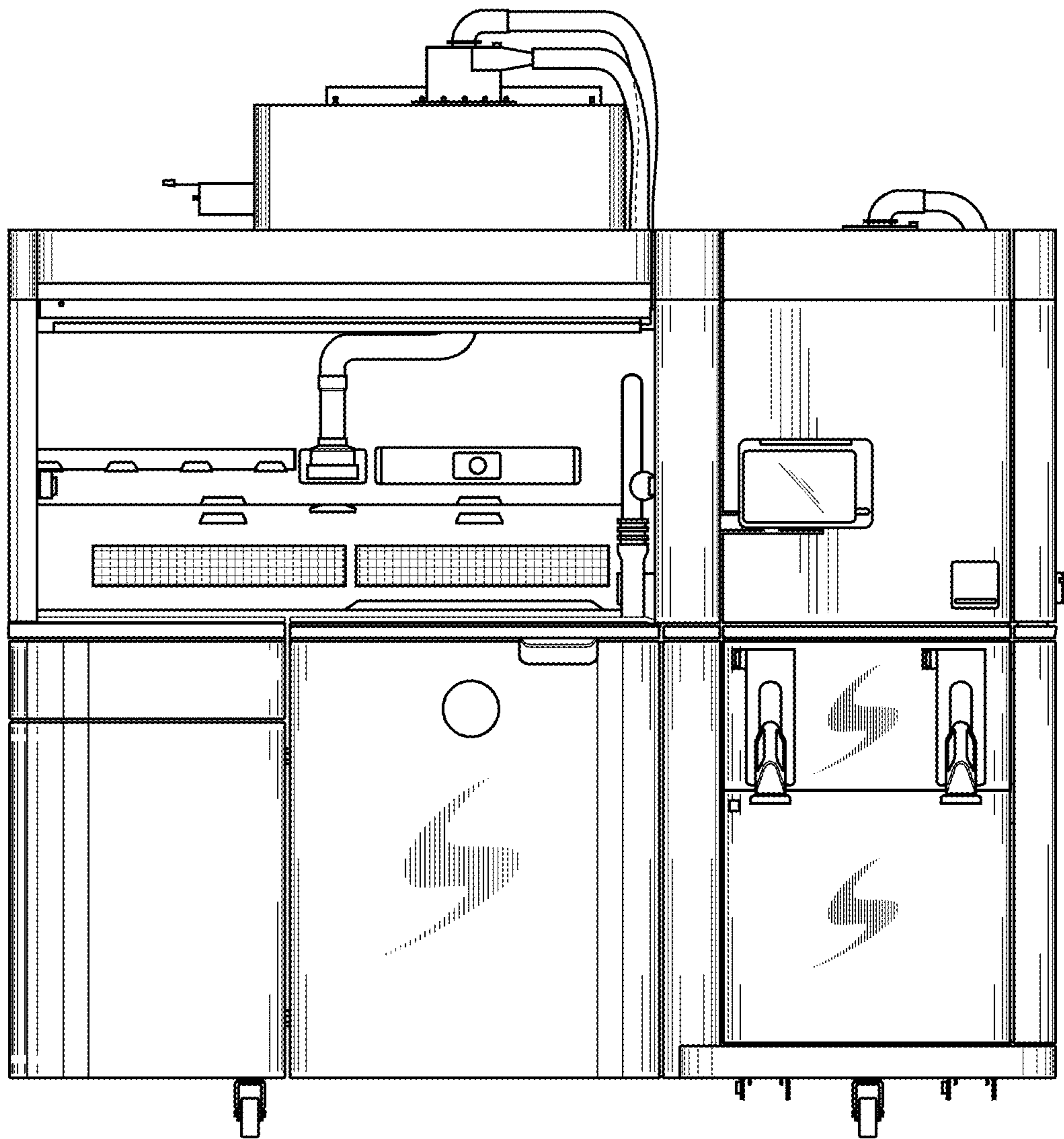


FIG. 5

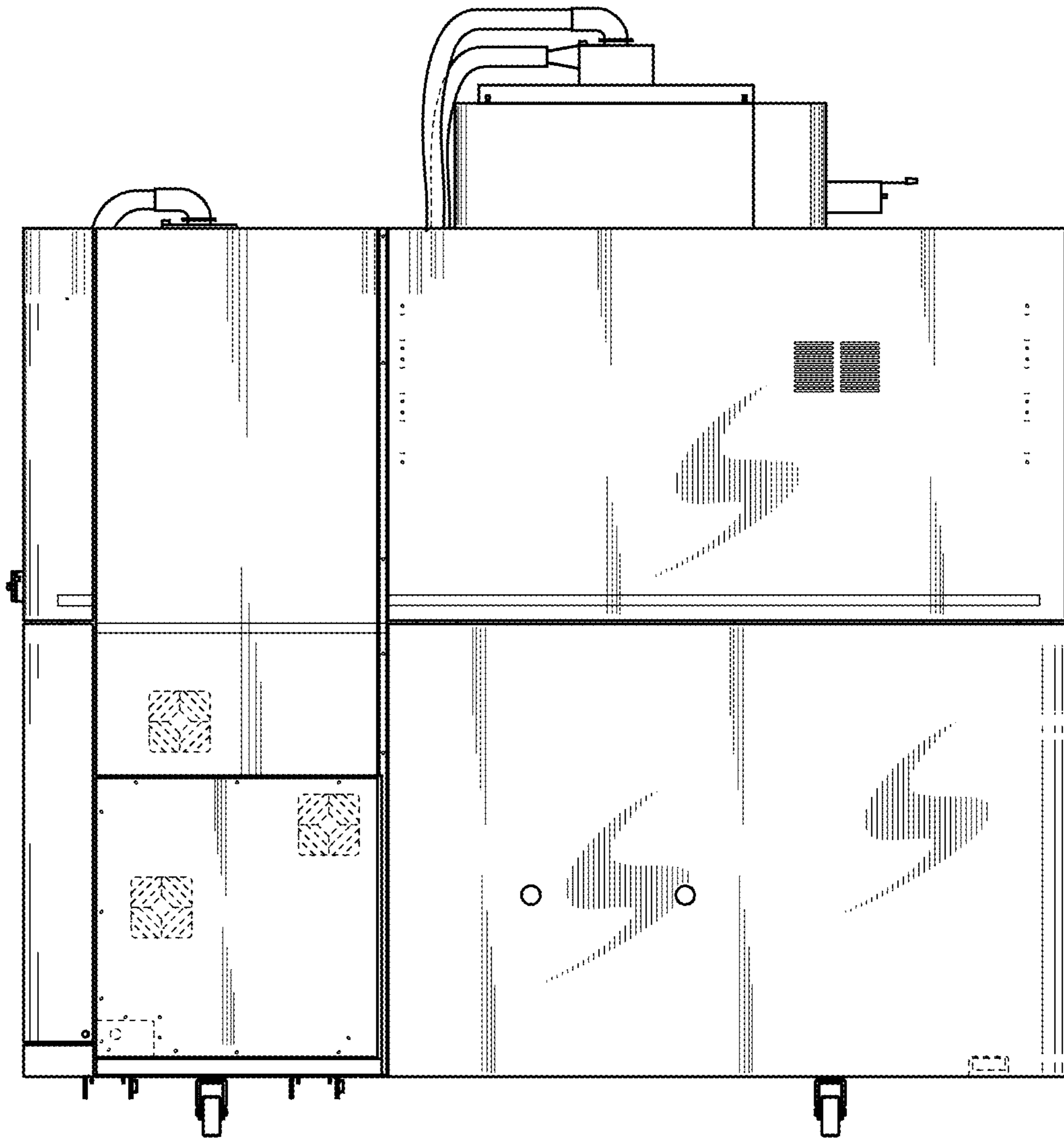


FIG. 6

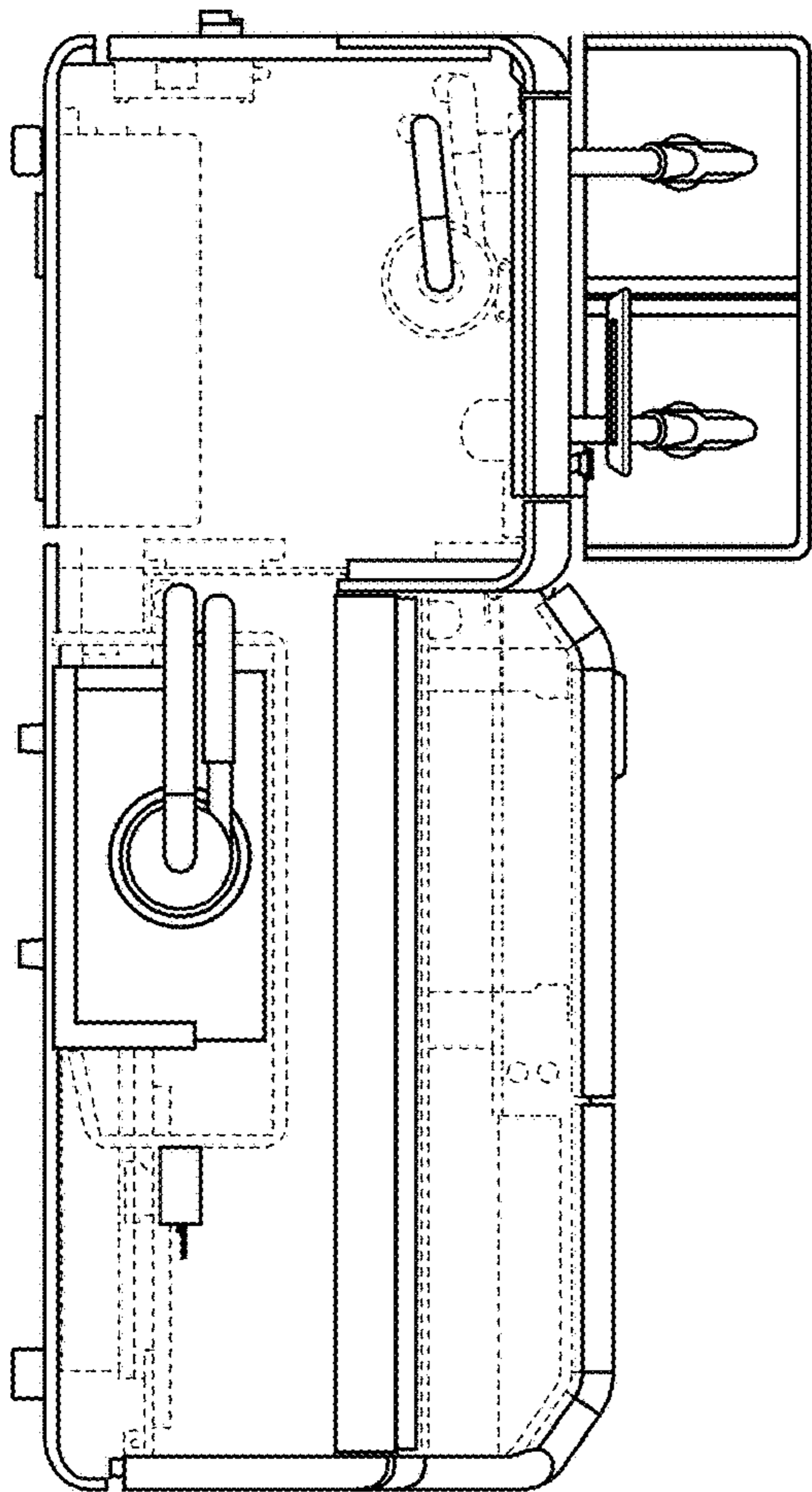


FIG. 7

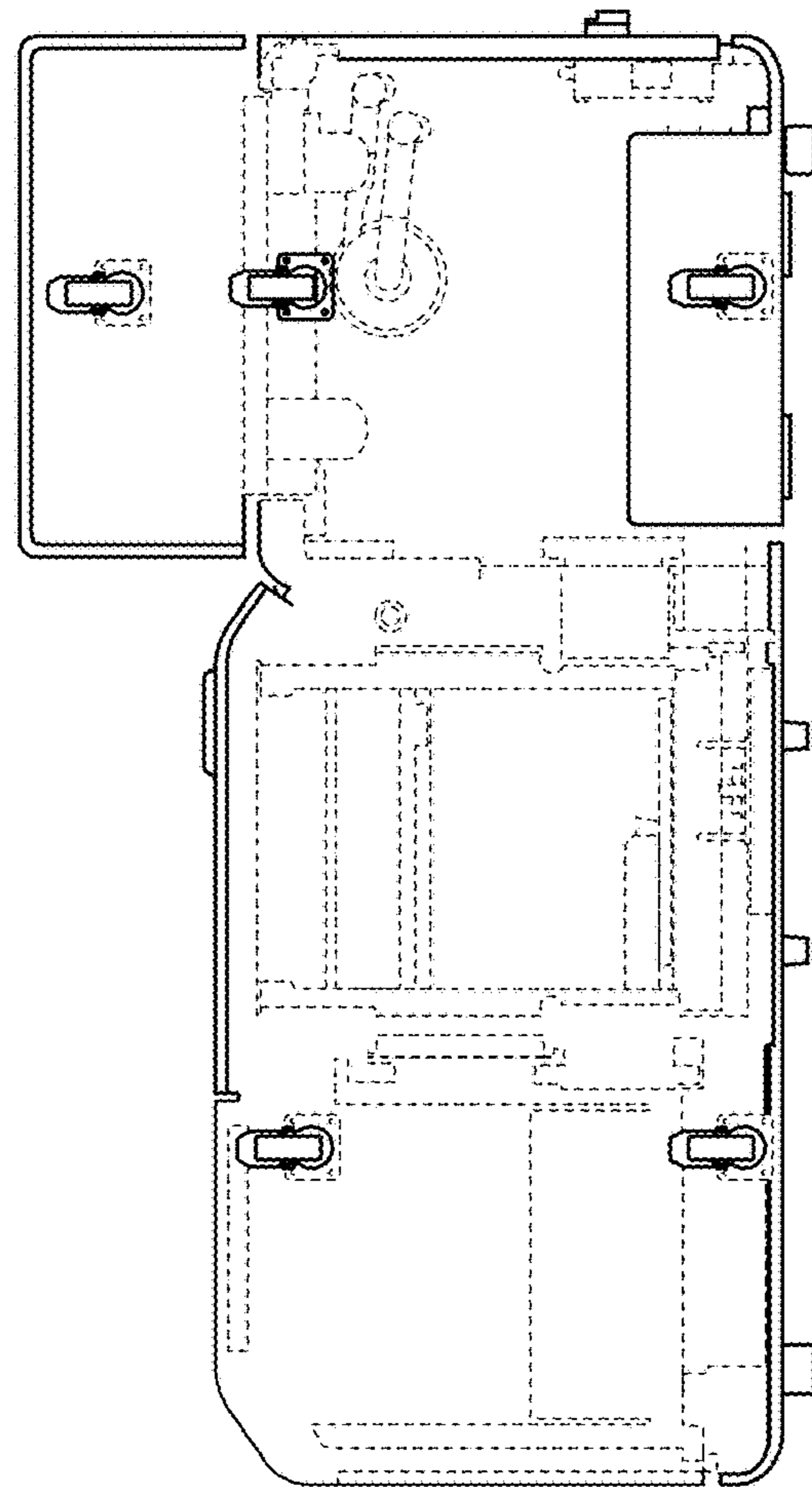


FIG. 8