



US00D799567S

(12) **United States Design Patent** (10) **Patent No.:** **US D799,567 S**  
**Cesar et al.** (45) **Date of Patent:** **\*\* Oct. 10, 2017**

(54) **THREE DIMENSIONAL PRINTER POWDER CARRIAGE TROLLEY**

B29C 47/786; B29C 47/86; B29C 47/862; B29C 67/0066; B29C 67/0074

See application file for complete search history.

(71) Applicant: **Hewlett-Packard Development Company, L.P.**, Houston, TX (US)

(56)

**References Cited**

(72) Inventors: **Javier Alfonso Cesar**, Sant Cugat del Valles (ES); **Andreu Oliver**, Barcelona (ES); **Marc Morros**, Terrassa (ES)

U.S. PATENT DOCUMENTS

(73) Assignee: **Hewlett-Packard Development Company, L.P.**, Houston, TX (US)

D266,327 S *	9/1982	Haight	.....	D15/135
D337,334 S *	7/1993	Matsui	.....	D15/135
D420,371 S *	2/2000	Strong	.....	D15/135
D423,023 S *	4/2000	Strong	.....	D15/135
D702,760 S *	4/2014	Kim	.....	D18/55
D716,966 S *	11/2014	Lizari Illarramendi	.....	D24/232
D724,456 S *	3/2015	Antonczak	.....	D10/81
D730,980 S *	6/2015	Kohno	.....	D18/53
D739,459 S *	9/2015	Murata	.....	D18/50
D758,486 S *	6/2016	Nakagawa	.....	D18/55
D763,958 S *	8/2016	Kim	.....	D18/53
D769,965 S *	10/2016	Clark, III	.....	D18/55

(\*\*) Term: **15 Years**

(21) Appl. No.: **29/563,815**

(22) Filed: **May 9, 2016**

(51) **LOC (10) Cl.** ..... **15-09**

\* cited by examiner

(52) **U.S. Cl.**  
USPC ..... **D15/122**

(58) **Field of Classification Search**  
USPC ..... D14/420-425; D18/14, 19, 36-39, 50, D18/53, 54, 54.1, 55; D15/122, 135  
CPC ..... B33Y 10/00; B33Y 30/00; B33Y 80/00; B33Y 50/02; B33Y 50/00; B33Y 70/00; B33Y 40/00; B29C 67/0055; B29C 67/0088; B29C 67/0059; B29C 67/0085; B29C 67/0092; B29C 67/0051; B29C 67/0077; B29C 67/0081; B29C 2947/92571; B29C 47/0004; B29C 47/0014; B29C 47/0813; B29C 47/92; B29C 67/007; B29C 67/0096; B29C 2043/182; B29C 2043/189; B29C 2793/0081; B29C 2793/009; B29C 2947/9258; B29C 2947/92704; B29C 2947/92904; B29C 35/0805; B29C 43/18; B29C 44/1271; B29C 45/14819; B29C 47/0002; B29C 47/0066; B29C 47/026; B29C 47/0801; B29C 47/0811; B29C 47/1045; B29C 47/48; B29C 47/522;

*Primary Examiner* — Ian Simmons  
*Assistant Examiner* — Khawaja Anwar  
(74) *Attorney, Agent, or Firm* — HP Inc. Patent Department

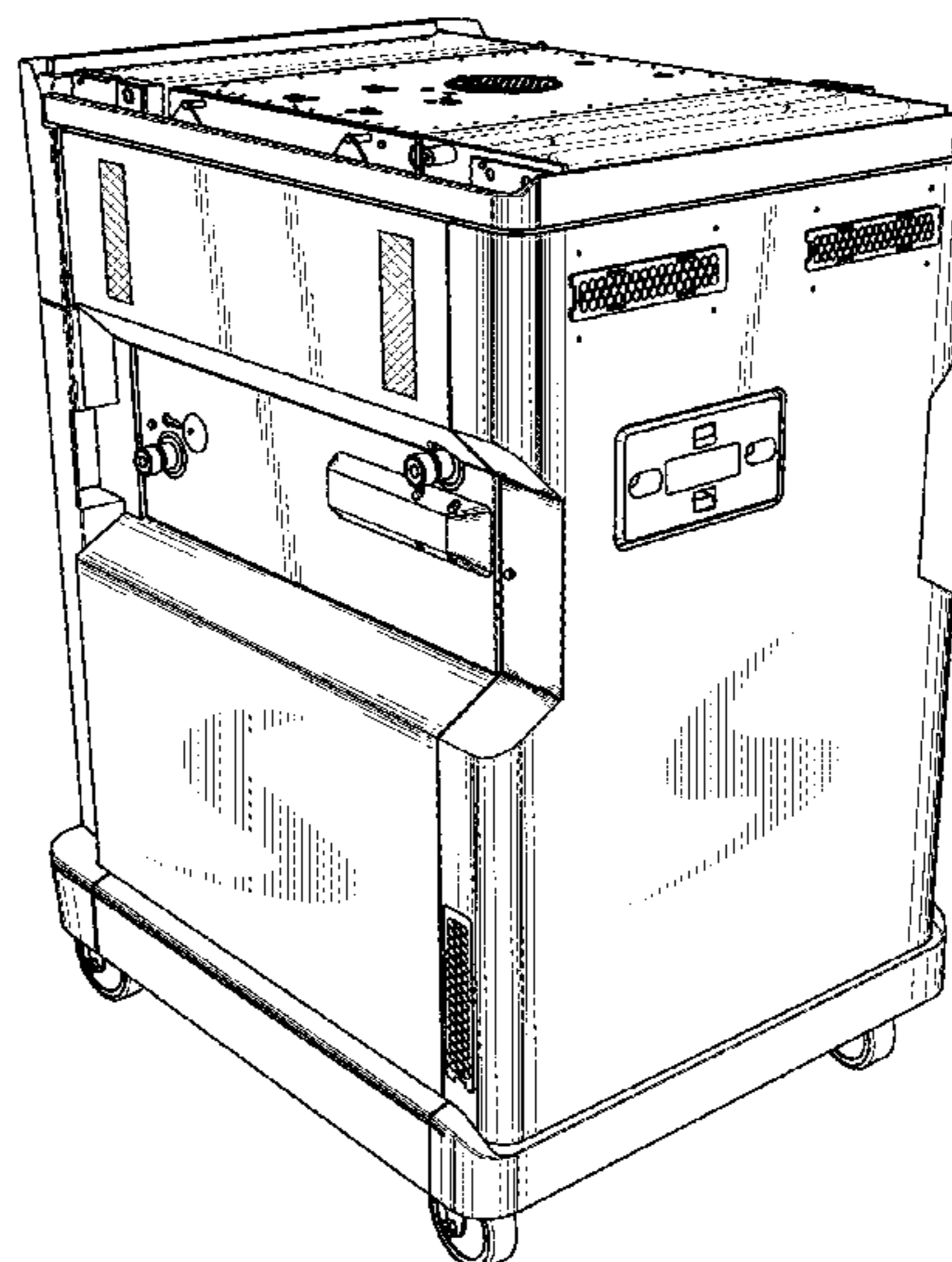
(57) **CLAIM**

We claim the ornamental design for a three dimensional printer powder carriage trolley, as shown and described.

**DESCRIPTION**

FIG. 1 is a front right perspective view of a three dimensional printer powder carriage trolley;  
FIG. 2 is a rear left perspective view thereof;  
FIG. 3 is a left side view thereof;  
FIG. 4 is a right side view thereof;  
FIG. 5 is a rear view thereof;  
FIG. 6 is a front view thereof; and,  
FIG. 7 is a top view thereof.

**1 Claim, 7 Drawing Sheets**



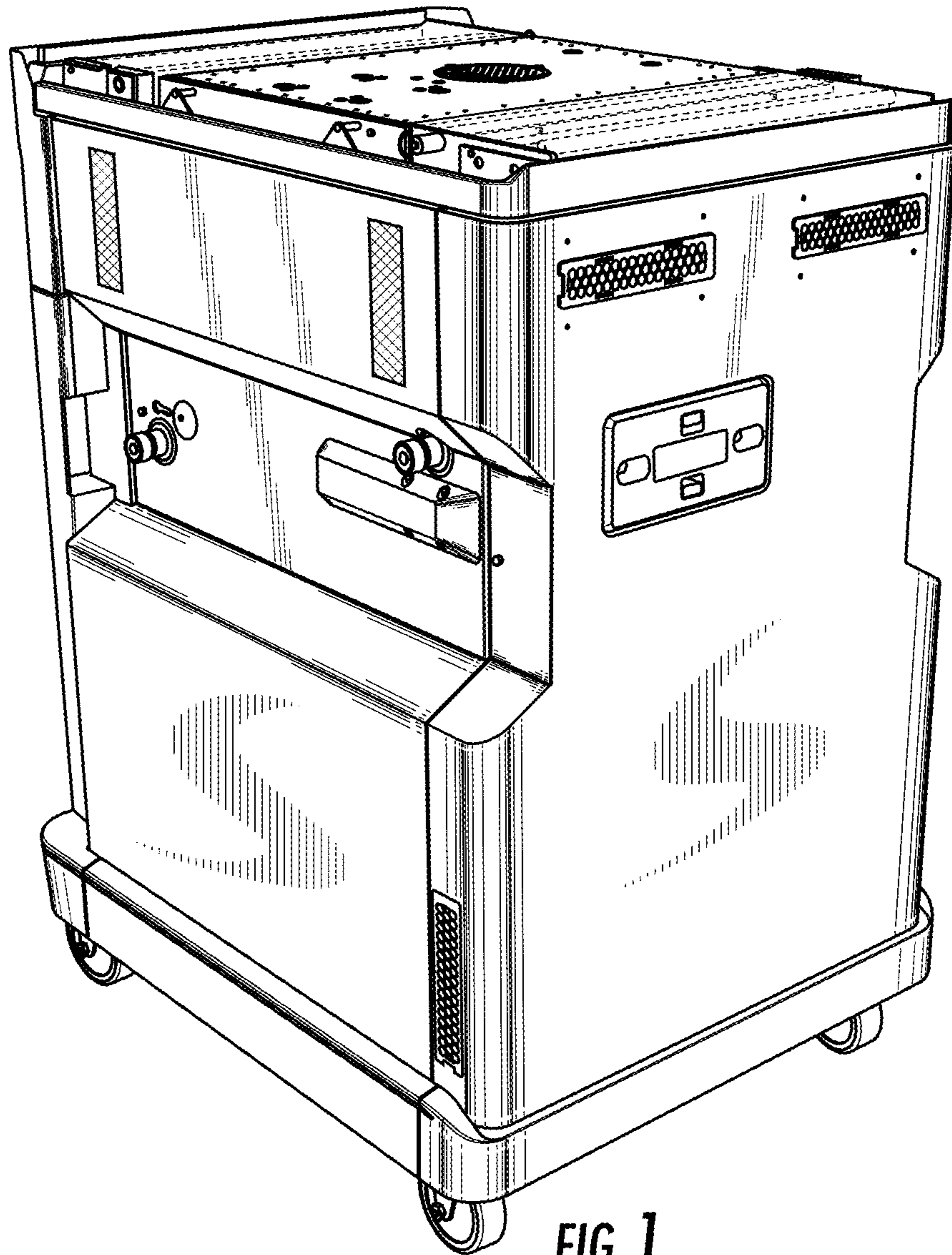


FIG. 1

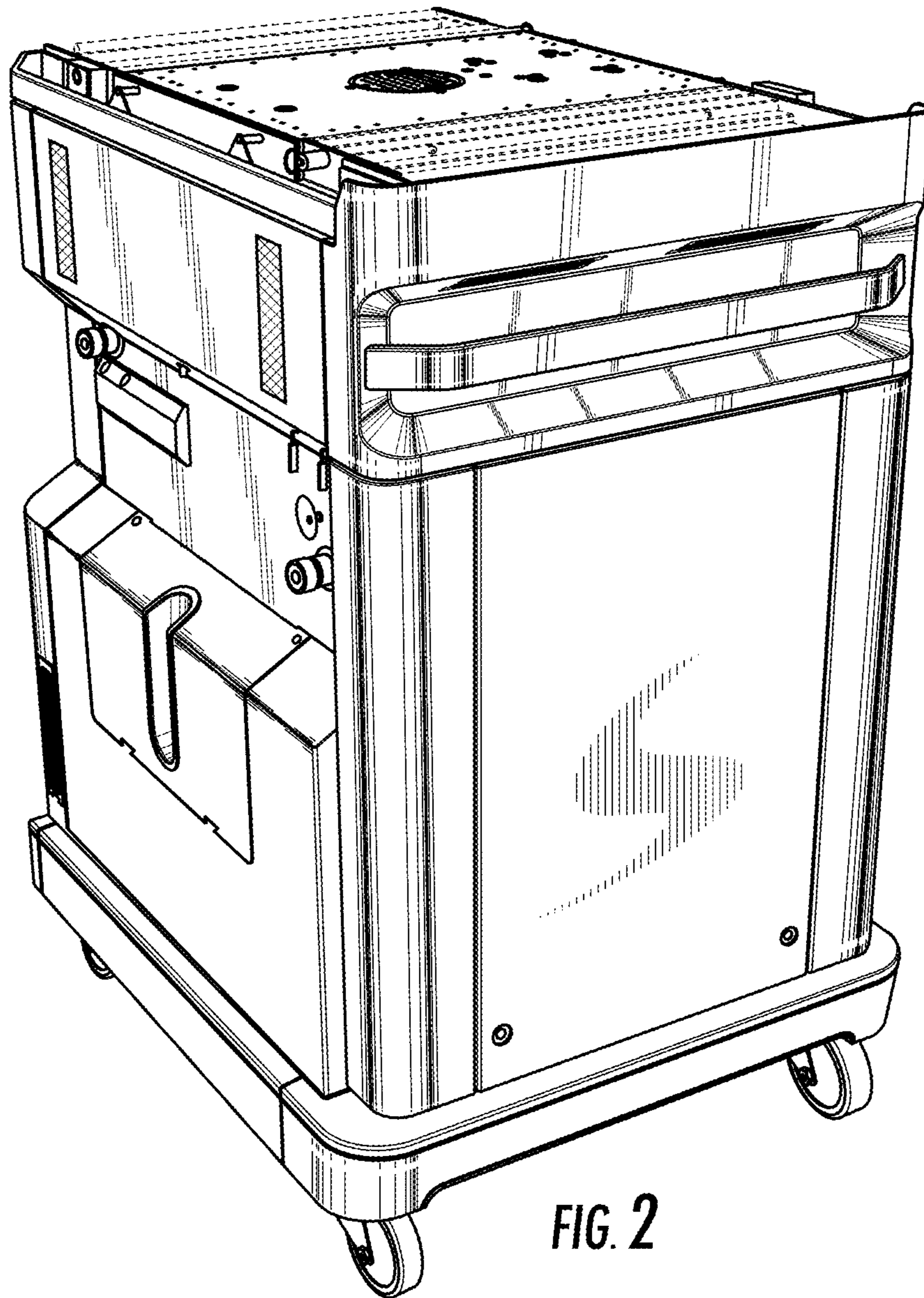


FIG. 2

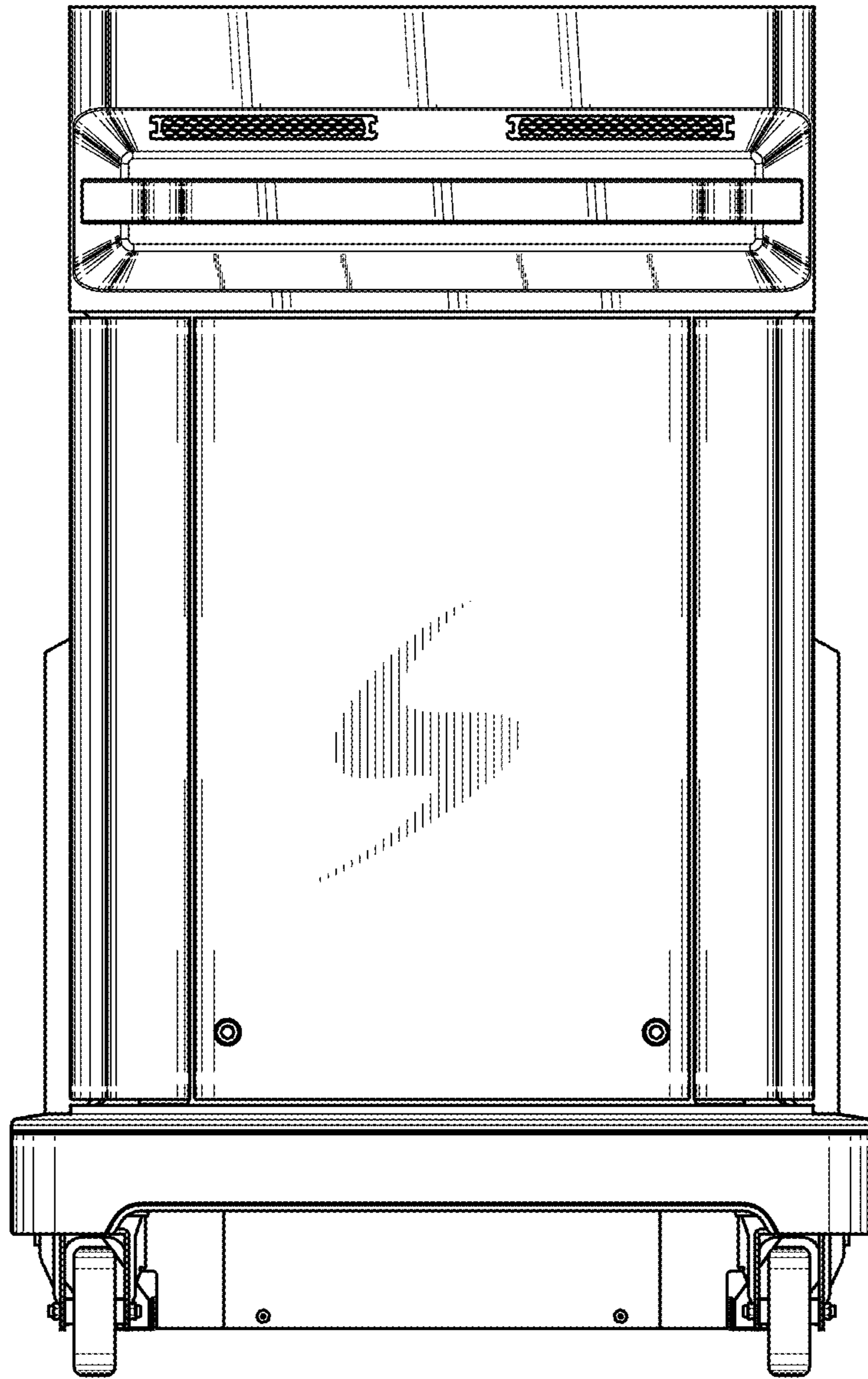


FIG. 3

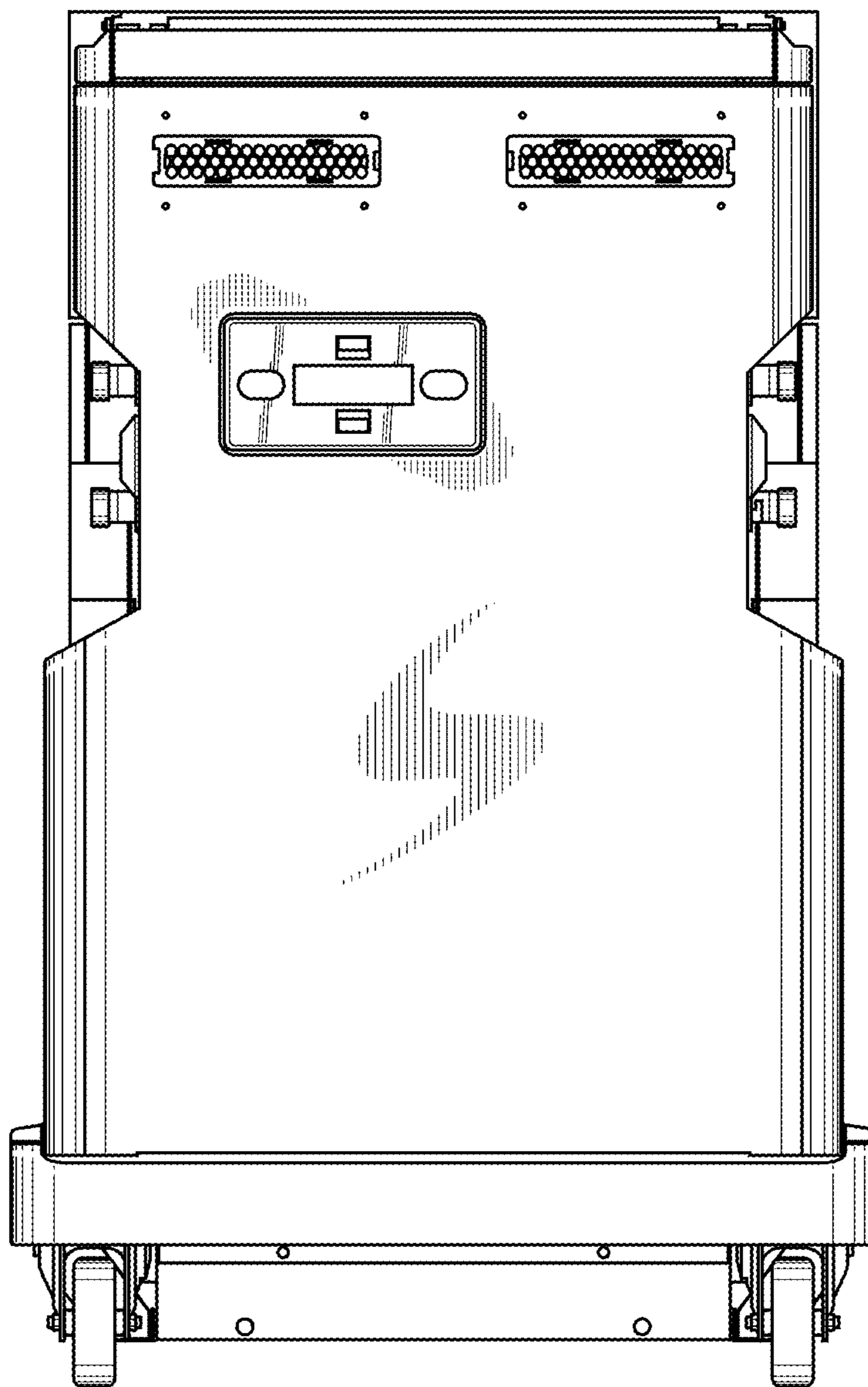


FIG. 4

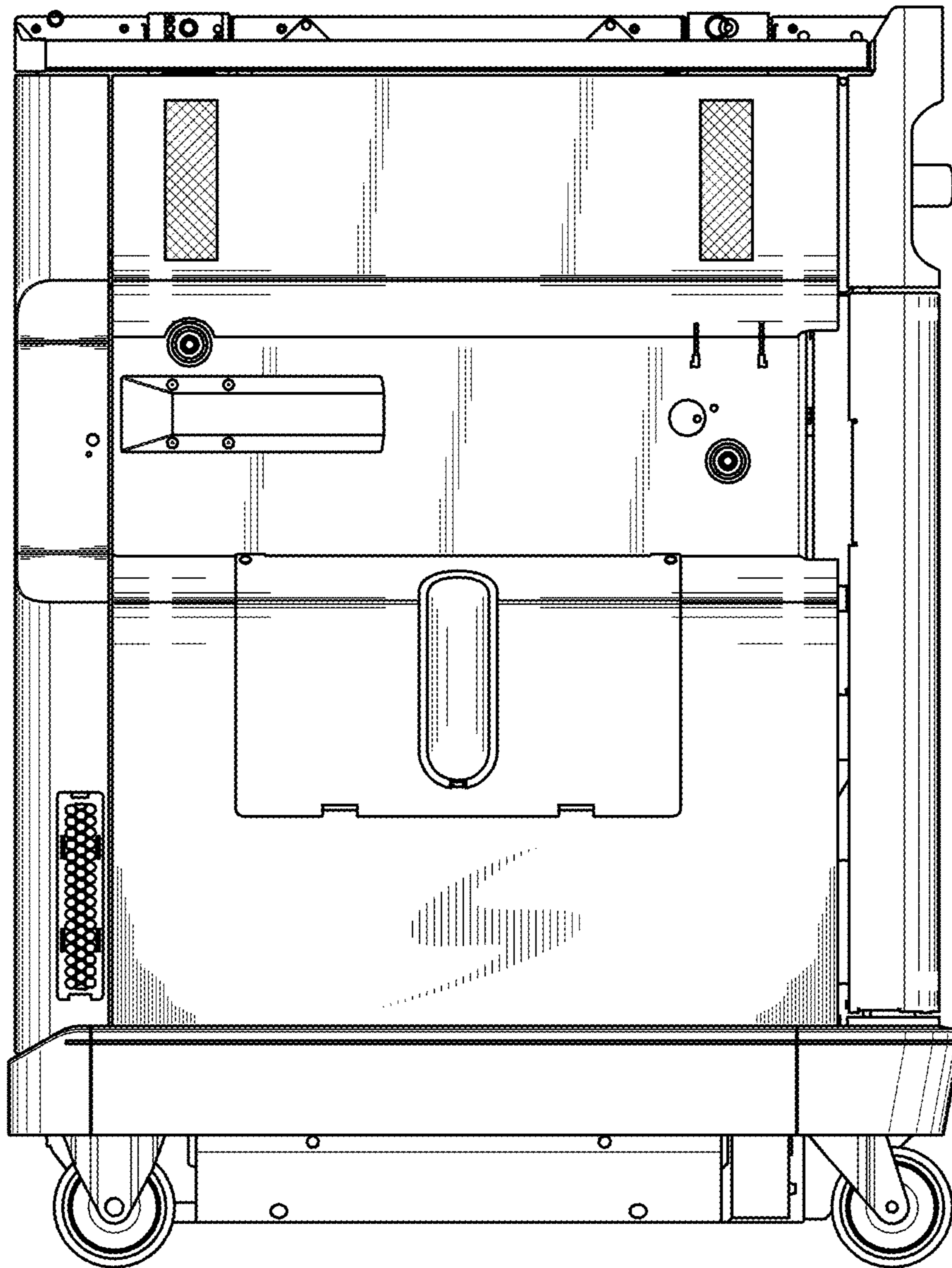


FIG. 5

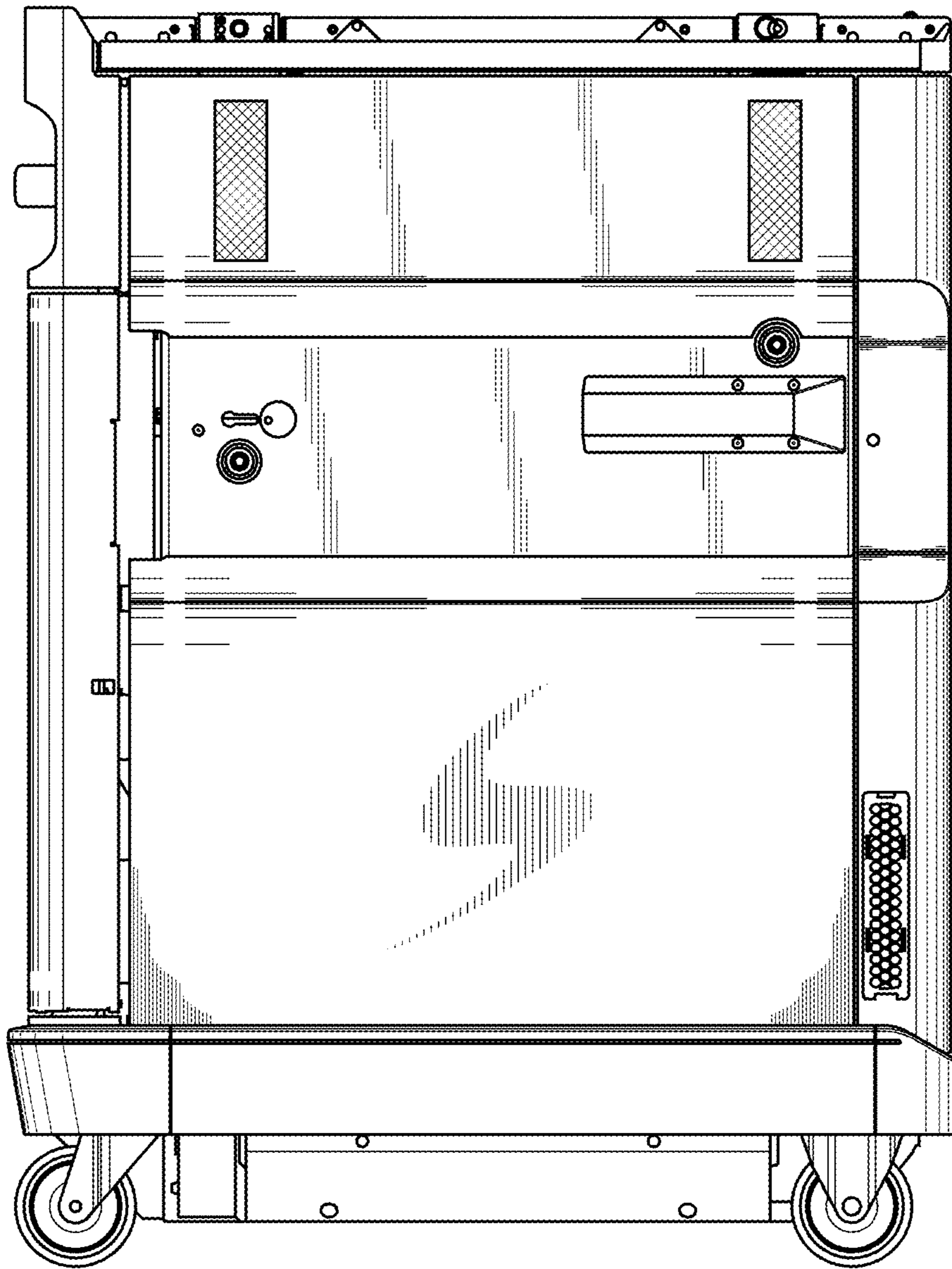


FIG. 6

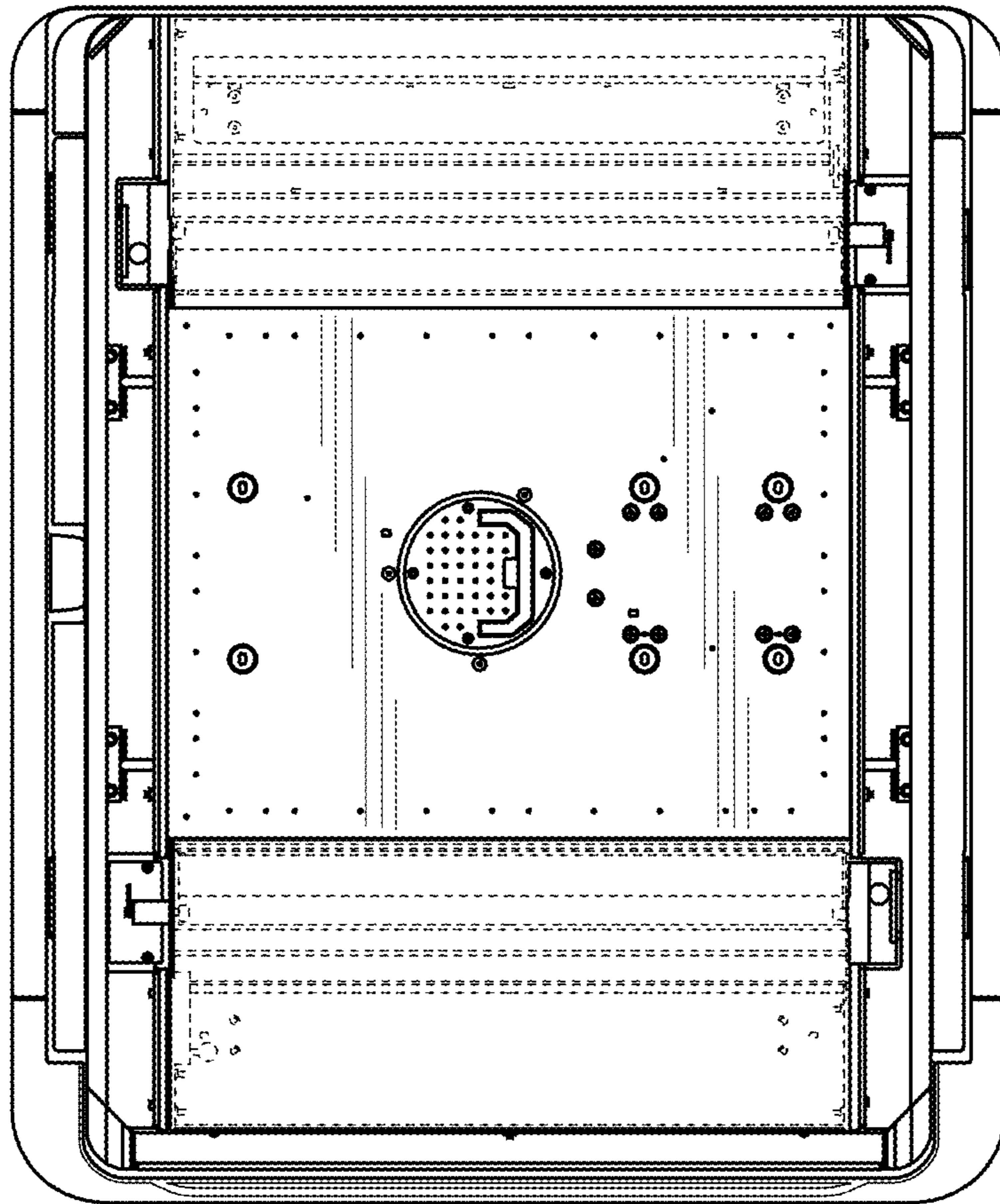


FIG. 7