



US00D799566S

(12) **United States Design Patent** (10) **Patent No.:** **US D799,566 S**
Broen et al. (45) **Date of Patent:** **** Oct. 10, 2017**

(54) **COOLER**

2331/809; F25D 23/065; F25D 23/069;
F25D 23/087; F25D 2400/36; F25D
2400/361; F25D 2500/02; F25D 25/00;
F25D 2600/00; F25D 2700/123

(71) Applicant: **PepsiCo, Inc.**, Purchase, NY (US)

See application file for complete search history.

(72) Inventors: **Martin Eduardo Broen**, New York,
NY (US); **Stephen Lim**, Chappaqua,
NY (US); **Christian Stolarz**, Brooklyn,
NY (US); **David Jennings Lucas**,
Austin, TX (US); **Salvatore Michael
Primo**, Austin, TX (US)

(56) **References Cited**

U.S. PATENT DOCUMENTS

D244,019 S	4/1977	Brown
D271,107 S	10/1983	Trulaske
D363,398 S	10/1995	Branz et al.
5,803,560 A	9/1998	Trulaske, Sr. et al.
D421,534 S	3/2000	Trulaske, Sr. et al.
D449,844 S	10/2001	Kim
D481,224 S	10/2003	Draper
D481,740 S	11/2003	Li et al.
D513,014 S	12/2005	Seki
D518,836 S	4/2006	Reese et al.

(Continued)

(73) Assignee: **PepsiCo, Inc.**, Purchase, NY (US)

(**) Term: **15 Years**

(21) Appl. No.: **29/586,252**

(22) Filed: **Dec. 1, 2016**

Related U.S. Application Data

(63) Continuation of application No. 29/539,858, filed on
Sep. 17, 2015, now Pat. No. Des. 787,565.

(51) **LOC (10) Cl.** **15-07**

(52) **U.S. Cl.**

USPC **D15/89**

(58) **Field of Classification Search**

USPC D15/79-91

CPC F25D 25/02; F25D 23/00; F25D 25/024;
F25D 2325/022; F25D 23/067; F25D
25/04; F25D 27/00; F25D 2325/021;
F25D 2400/22; F25D 25/025; F25D
11/00; F25D 23/04; F25D 11/02; F25D
23/025; F25D 23/12; F25D 2400/40;
F25D 25/027; F25D 17/042; F25D
2331/803; F25D 2500/06; F25D 2201/00;
F25D 2317/0411; F25D 2323/122; F25D
2327/00; F25D 2331/805; F25D 2331/81;
F25D 23/028; F25D 23/062; F25D
23/126; F25D 25/022; F25D 25/028;
F25D 2600/02; F25D 29/00; F25D
2317/041; F25D 2317/0416; F25D
2325/00; F25D 2327/001; F25D

Primary Examiner — Ian Simmons

Assistant Examiner — Khawaja Anwar

(74) *Attorney, Agent, or Firm* — Sterne, Kessler,
Goldstein & Fox P.L.L.C.

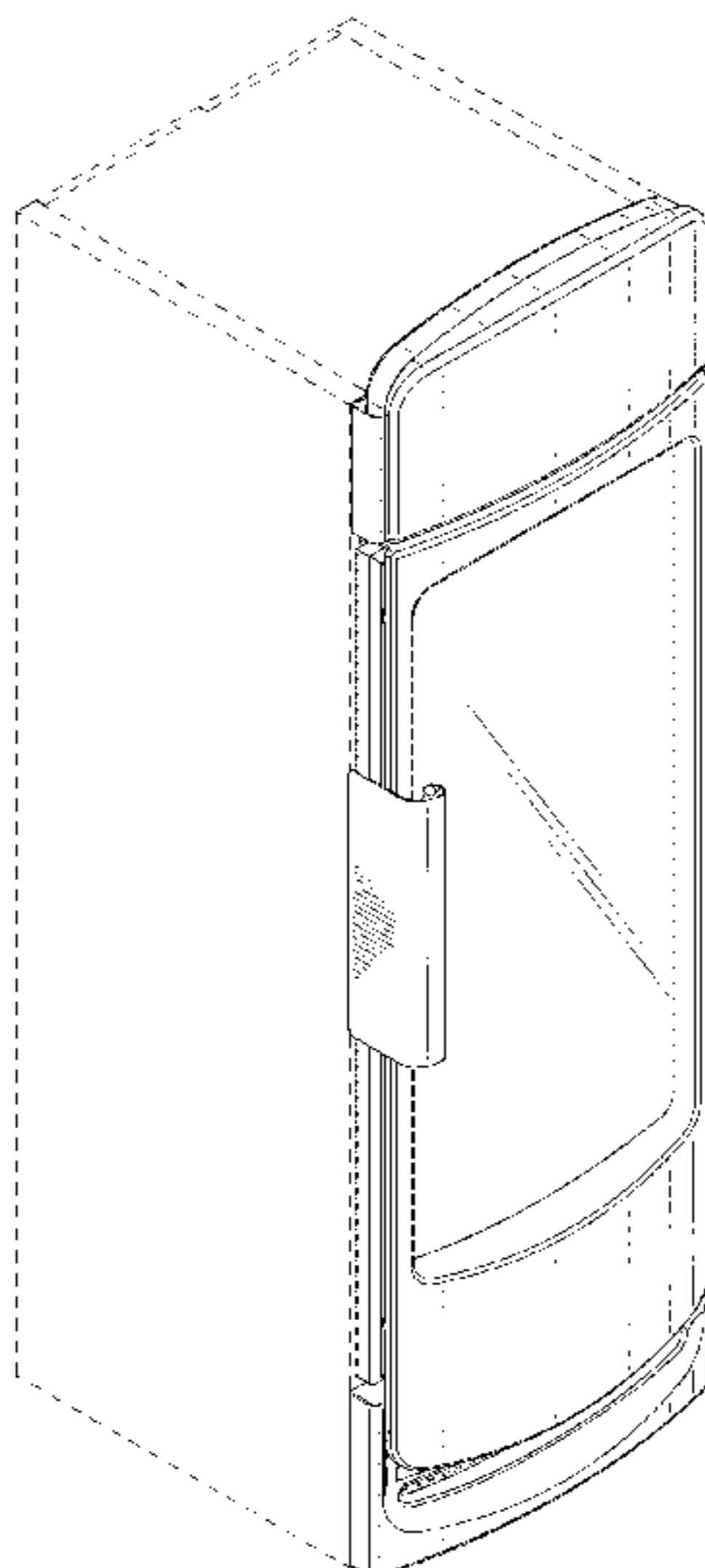
(57) **CLAIM**

The ornamental design for a cooler, as shown and described.

DESCRIPTION

FIG. 1 is a top front perspective view of a cooler showing
the claimed design;
FIG. 2 is a front view thereof;
FIG. 3 is a rear view thereof;
FIG. 4 is a left side view thereof;
FIG. 5 is a right side view thereof;
FIG. 6 is a top view thereof; and,
FIG. 7 is a bottom view thereof.
The broken lines in the Figures show portions of the cooler
that form no part of the claimed design.

1 Claim, 7 Drawing Sheets



(56)

References Cited

U.S. PATENT DOCUMENTS

D519,528 S 4/2006 Reese
D520,030 S 5/2006 Reese et al.
D520,532 S 5/2006 Reese et al.
D520,533 S 5/2006 Reese et al.
D541,315 S 4/2007 Trulaske, Sr.
D671,576 S 11/2012 Jafa et al.
D723,594 S 3/2015 Kim et al.
D736,272 S * 8/2015 Stolarz D15/81
D736,276 S 8/2015 Kim
D746,879 S * 1/2016 Stolarz D15/81
D747,367 S * 1/2016 Stolarz D15/81
D748,196 S * 1/2016 Kahn D20/8
D748,689 S 2/2016 Girardi
D762,741 S 8/2016 Galiatsis
D762,742 S 8/2016 Galiatsis
D765,151 S * 8/2016 Park D15/81
D773,539 S * 12/2016 Kim D15/86
2010/0018233 A1 * 1/2010 Jafa A47F 3/0482
62/249

* cited by examiner

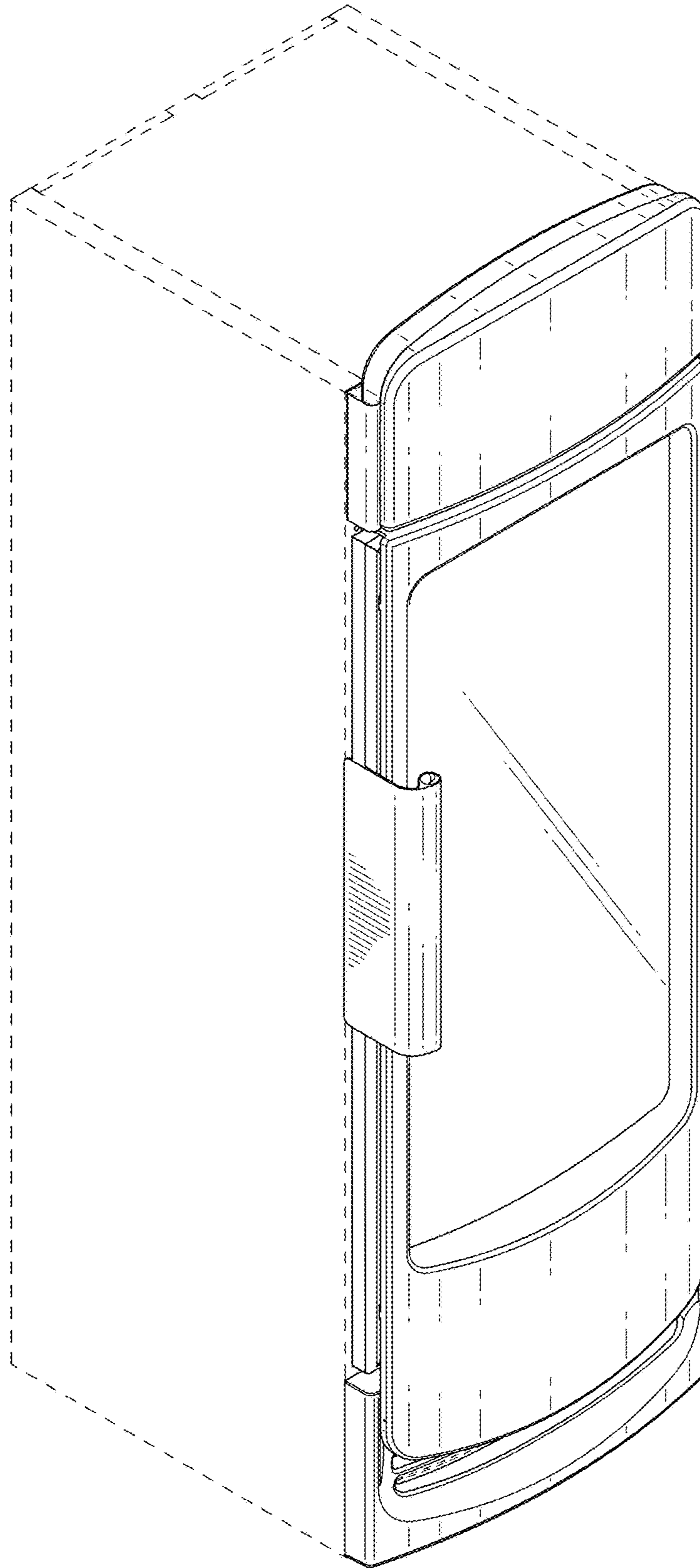


FIG. 1

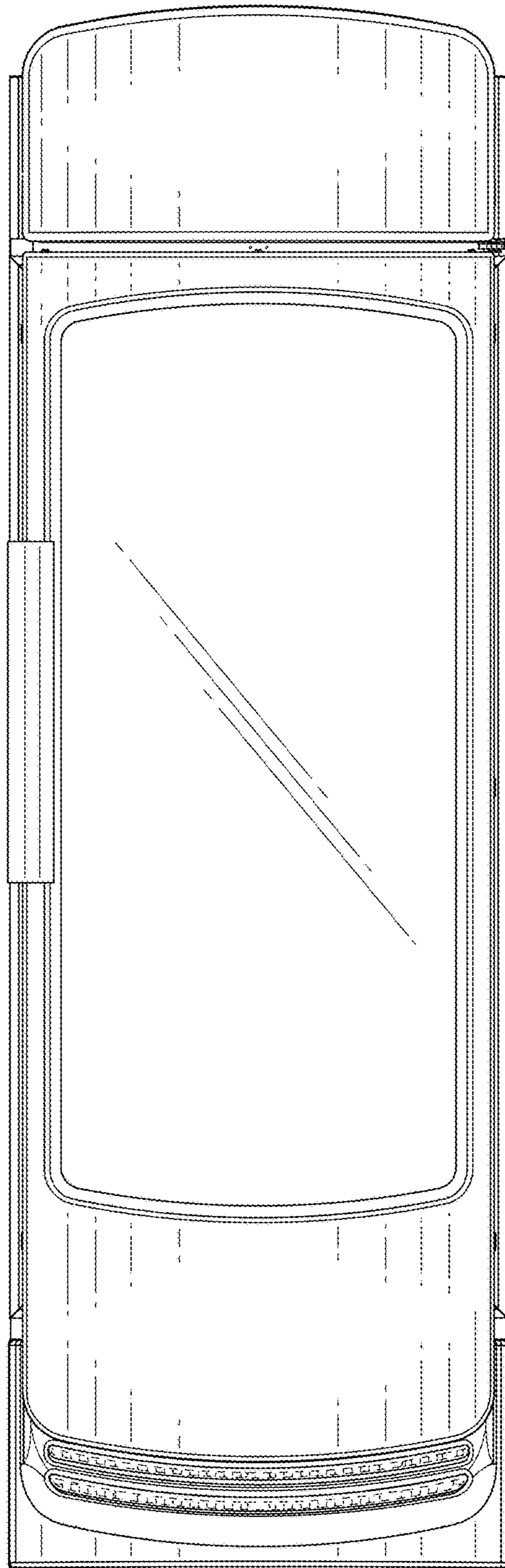


FIG. 2

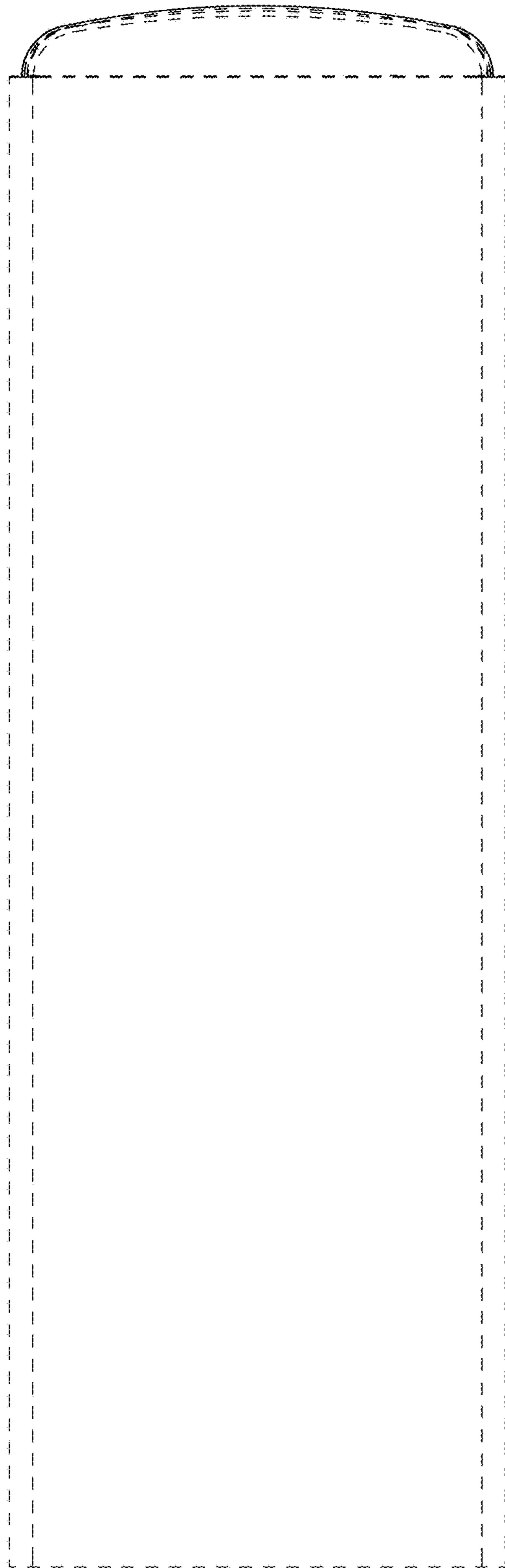


FIG. 3

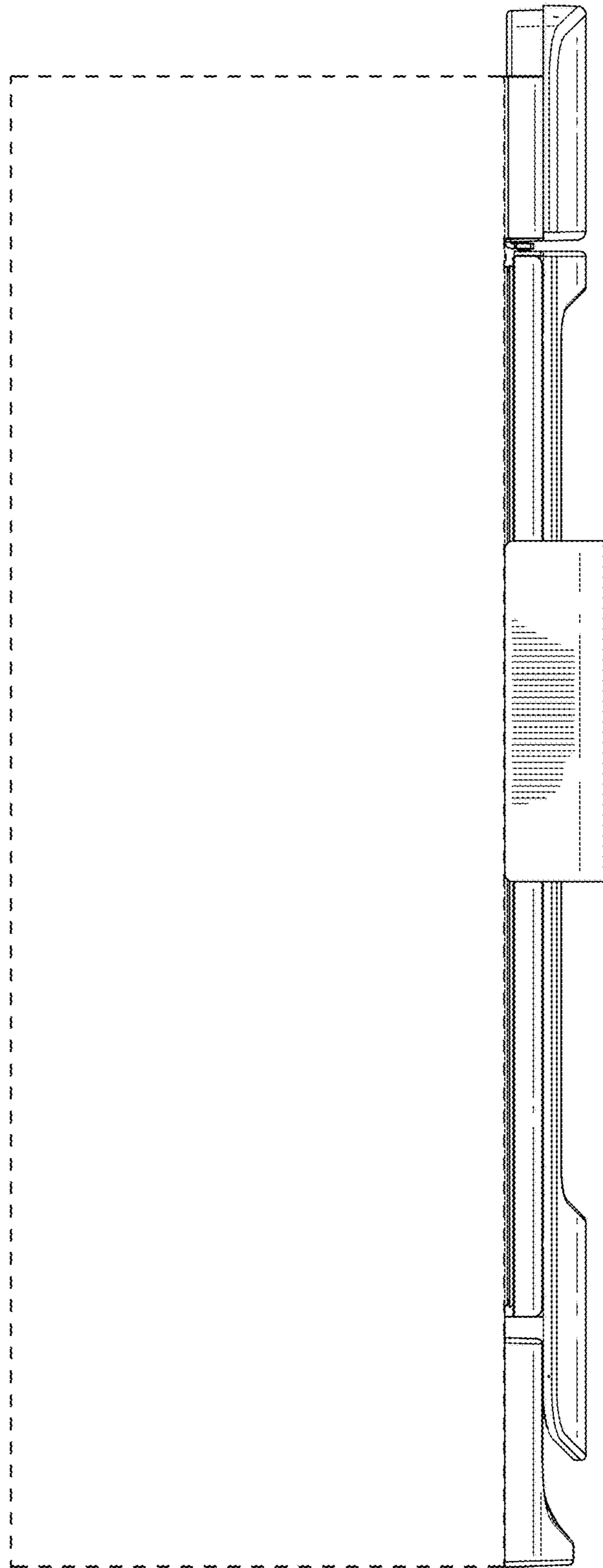


FIG. 4

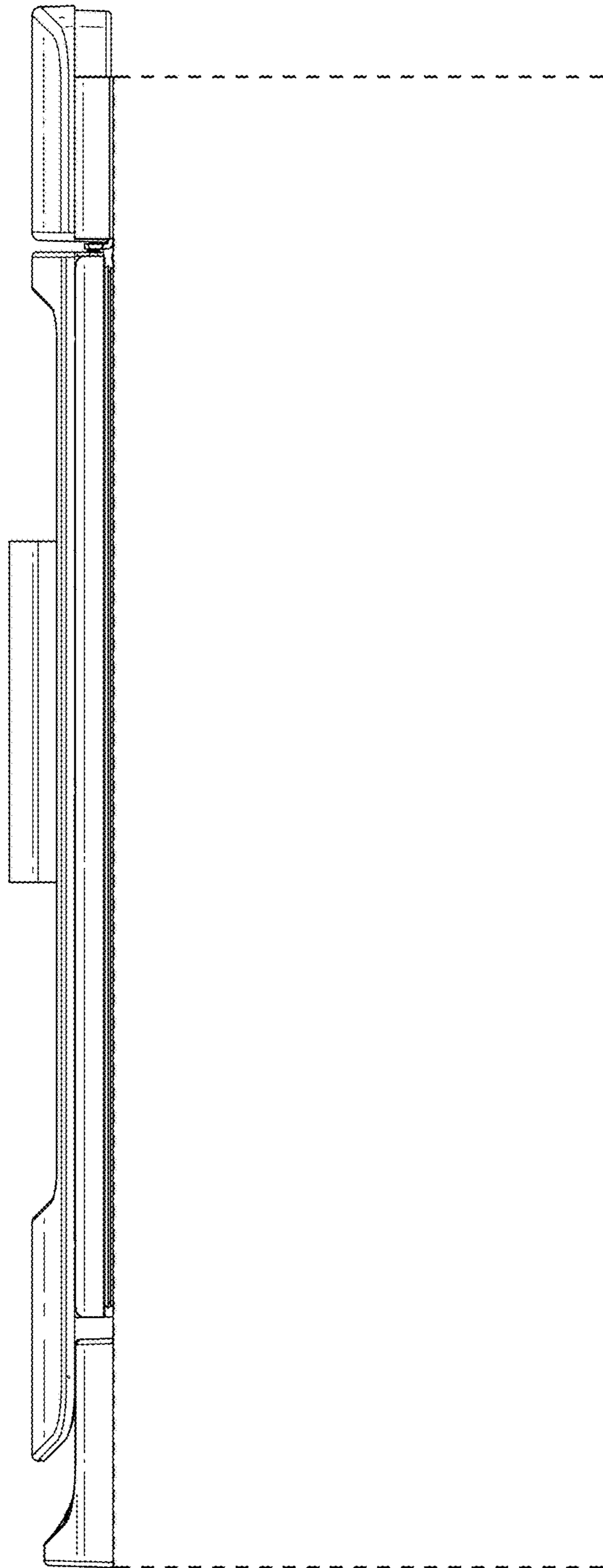


FIG. 5

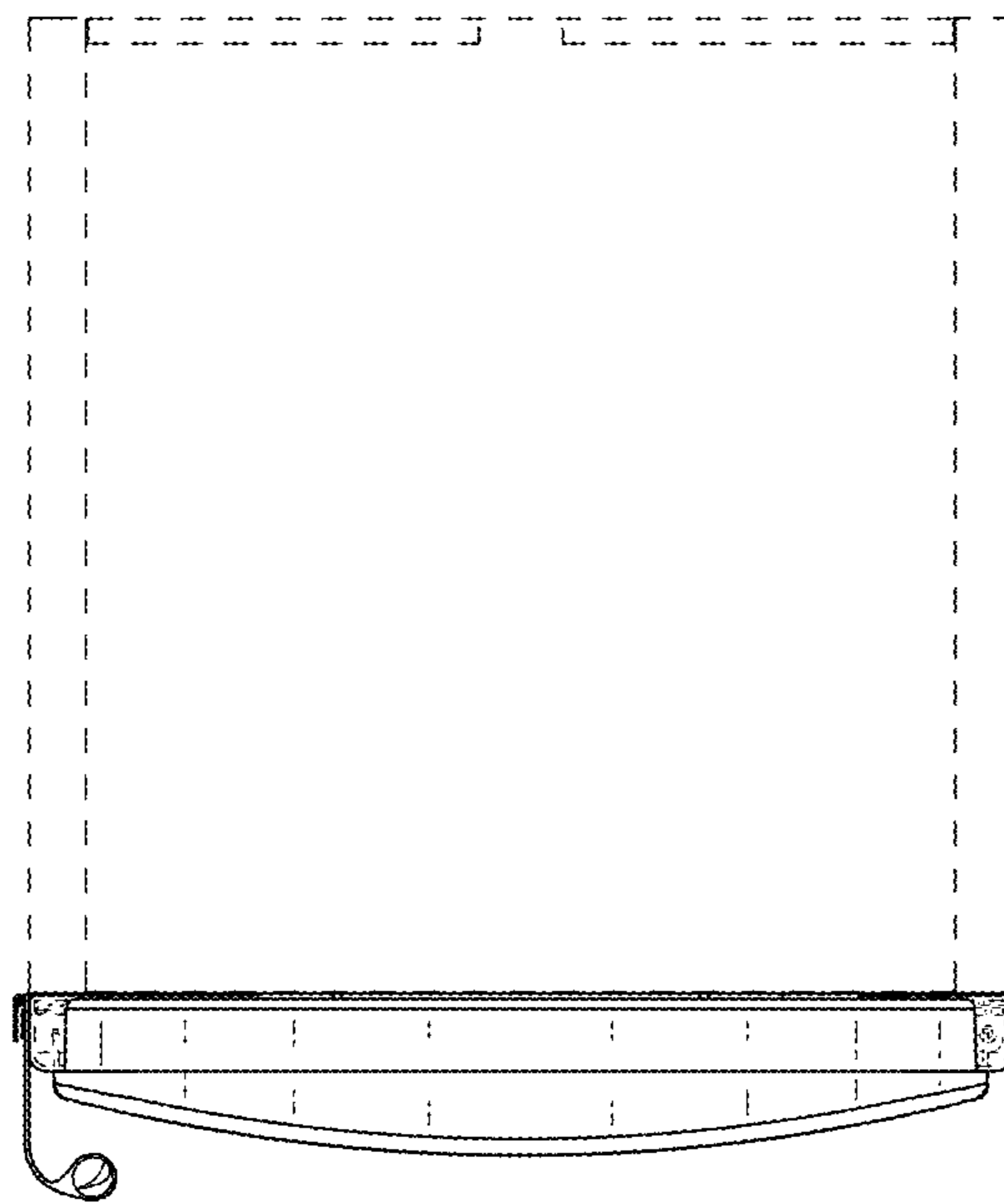


FIG. 6

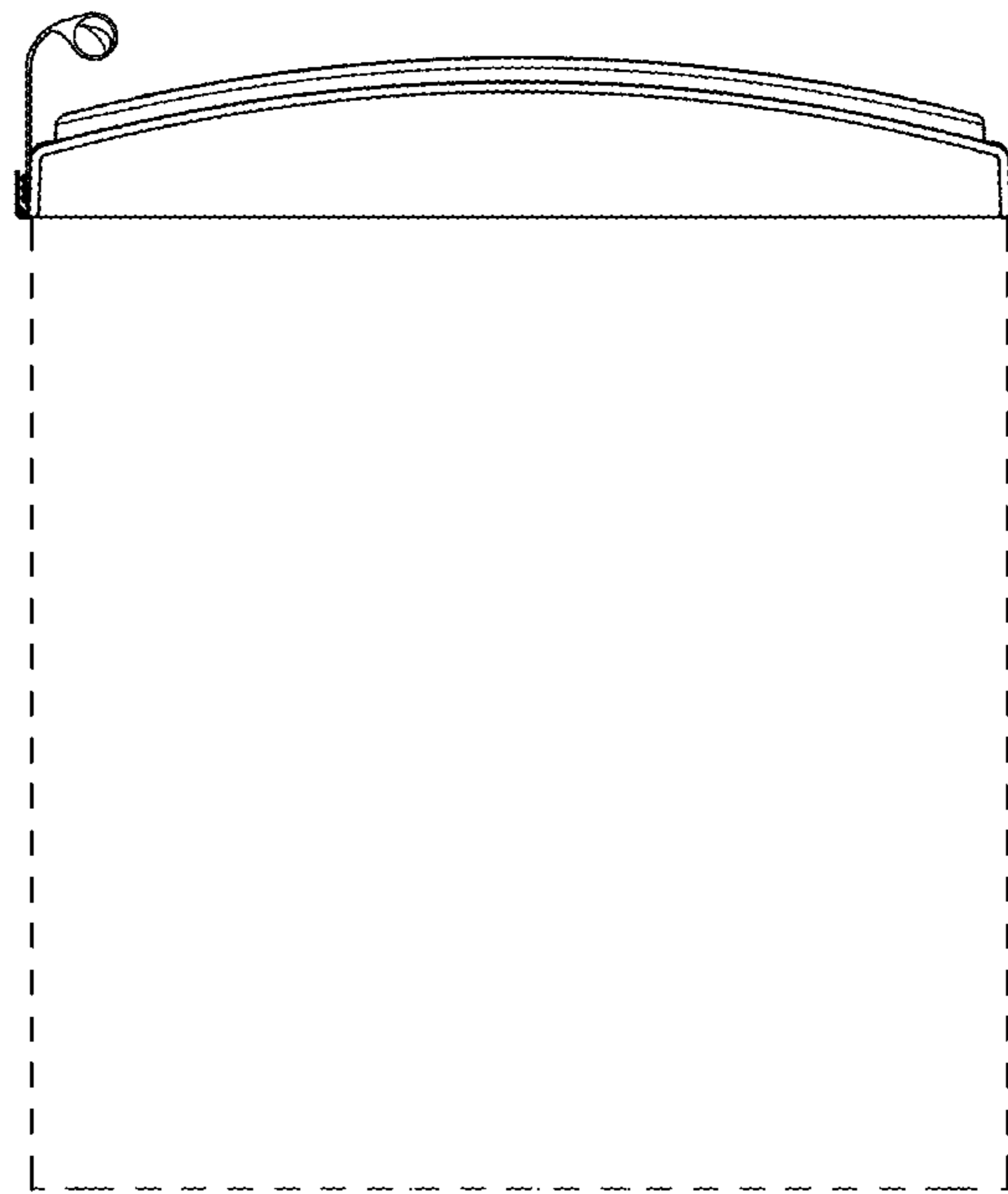


FIG. 7