



US00D799563S

(12) **United States Design Patent** (10) **Patent No.:** **US D799,563 S**
Kumbhar et al. (45) **Date of Patent:** **** Oct. 10, 2017**

(54) **REAR PORTION OF A WORK VEHICLE**

(71) Applicant: **Deere & Company**, Moline, IL (US)

(72) Inventors: **Nilesh T. Kumbhar**, Pune (IN); **John Gundupalli**, Pune (IN); **Shahebaz Momin**, Pune (IN); **Sean Mairet**, Dubuque, IA (US); **Travis Shekleton**, Dubuque, IA (US)

(73) Assignee: **Deere & Company**, Moline, IL (US)

(**) Term: **15 Years**

(21) Appl. No.: **29/571,891**

(22) Filed: **Jul. 22, 2016**

(51) **LOC (10) Cl.** **15-03**

(52) **U.S. Cl.**
USPC **D15/31**

(58) **Field of Classification Search**
USPC D15/10, 11, 15, 17, 22-26, 28, 30, 31
CPC B62D 33/0617; B62D 49/00; B62D 49/0815; B62D 21/186; B62D 53/028; B60J 7/00; B60J 1/004; B66C 13/54; E02F 9/0841; E02F 9/16; E02F 9/163; E02F 3/3411; E02F 3/76; E02F 3/34; E02F 3/00; E02F 7/00

See application file for complete search history.

(56) **References Cited**

U.S. PATENT DOCUMENTS

D247,814 S	5/1978	Johnson et al.	
D251,088 S	2/1979	Johnson et al.	
D134,389 S	2/1991	Lynnes et al.	
D317,926 S	7/1991	Lynnes et al.	
D356,584 S *	3/1995	Innes	D15/17
D376,372 S *	12/1996	Little	D15/23
D406,594 S *	3/1999	Miller	D15/31
D407,415 S *	3/1999	Flatau	D15/28
D412,712 S *	8/1999	Miller	D15/31
D419,568 S	1/2000	Baig et al.	

D423,521 S	4/2000	Walter et al.	
D450,718 S	11/2001	Muraro	
D451,105 S *	11/2001	Masumoto	D15/28
D468,754 S	1/2003	Dershem et al.	
D492,327 S	6/2004	Albright et al.	
D504,136 S	4/2005	Albright et al.	
D508,499 S *	8/2005	Kurtz, Jr.	D15/31
D516,587 S *	3/2006	Bares	D15/23
D517,096 S	3/2006	Landers et al.	
D559,869 S *	1/2008	Kelley	D12/163

(Continued)

OTHER PUBLICATIONS

Bobcat A770 photograph [online], [retrieved on Apr. 10, 2015]. Retrieved from the Internet: URL<<http://www.bobcat.com/publicadmin/getImage.do?id=66364&width=500>>.

(Continued)

Primary Examiner — Mark Goodwin

(57) **CLAIM**

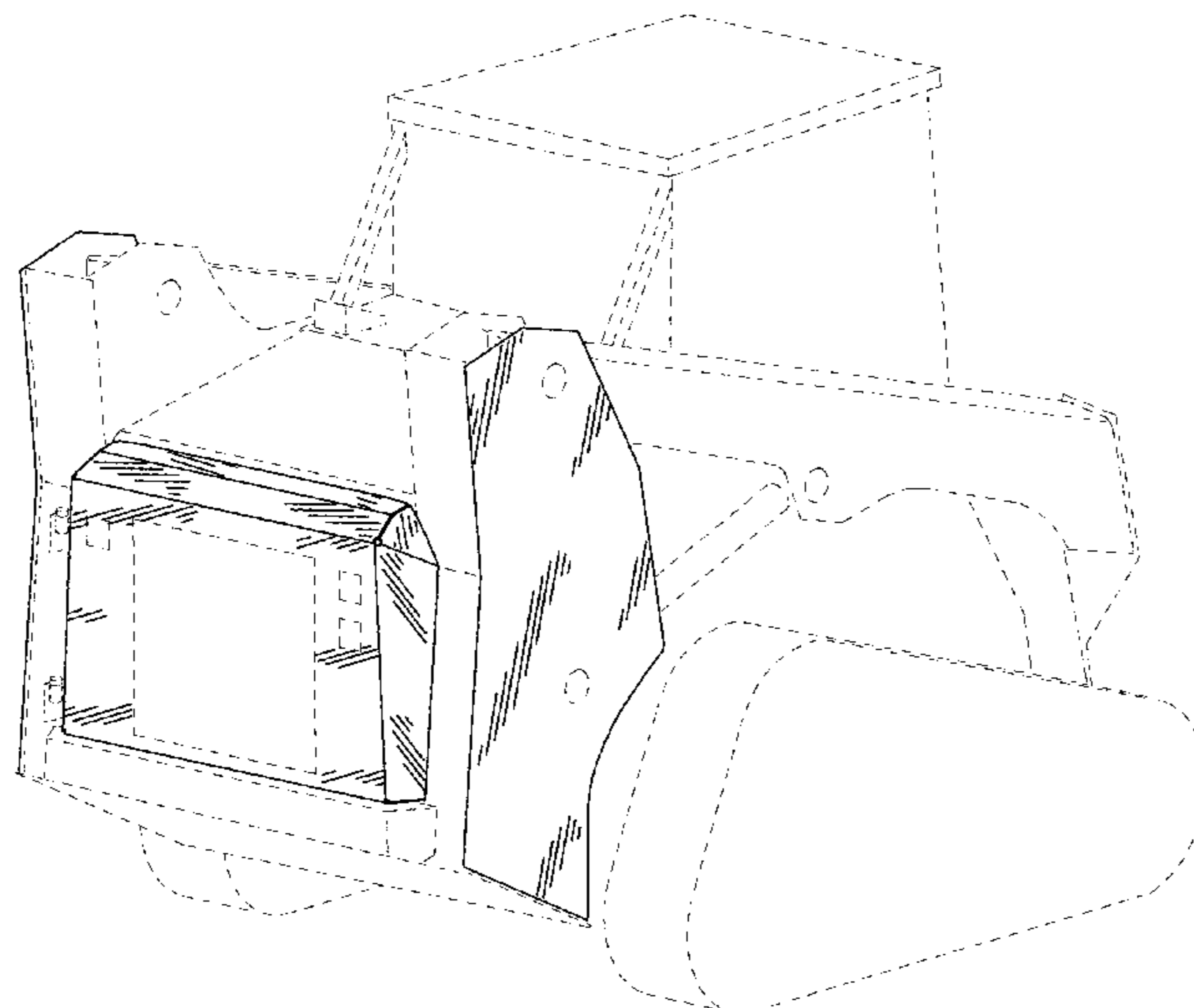
The ornamental design for a rear portion of a work vehicle, as shown and described.

DESCRIPTION

FIG. 1 is a perspective view of a rear portion of a work vehicle embodying the claimed design. FIG. 2 is a left side view thereof. FIG. 3 is a right side view thereof. FIG. 4 is a front view thereof. FIG. 5 is a rear view thereof. FIG. 6 is a top view thereof; and, FIG. 7 is a bottom view thereof.

The claimed design is shown in solid lines in the drawings. The portions of the drawings shown in broken lines form no part of the claimed design. The portions of the drawings shown in broken lines having unequal segments illustrate the boundary of the claimed design and form no part of the claimed design.

1 Claim, 7 Drawing Sheets



(56)

References Cited

U.S. PATENT DOCUMENTS

D572,276 S	7/2008	Pinther et al.	
D572,277 S	7/2008	Pinther et al.	
D583,834 S	12/2008	Sugiyama et al.	
D583,835 S	12/2008	Sugiyama et al.	
D600,721 S	9/2009	Shimomura et al.	
D629,818 S *	12/2010	Rummer	D15/31
D635,592 S *	4/2011	Shimomura	D15/28
D643,050 S *	8/2011	Rajderkar	D15/31
D646,306 S *	10/2011	Bradley	D15/28
D668,694 S *	10/2012	Tezuka	D15/31
D675,234 S *	1/2013	Kushita	D15/31
D678,918 S *	3/2013	Hagura	D15/28
D692,031 S	10/2013	Martin et al.	
D735,774 S	8/2015	Shepard et al.	
D772,307 S *	11/2016	Gross	D15/28
D772,953 S *	11/2016	Gross	D15/28
D774,103 S *	12/2016	Gross	D15/28
D777,217 S *	1/2017	Gross	D15/30

OTHER PUBLICATIONS

Bobcat T630 Compact Track Loader Photo & Video Gallery (rear view) [online], [retrieved on Aug. 2, 2016]. Retrieved from the Internet: URL<<http://www.bobcat.com/loaders/compact-track-loaders/models/t630/photos-videos>>.

Bobcat T630 Compact Track Loader Photo & Video Gallery (side view) [online], [retrieved on Aug. 2, 2016]. Retrieved from the Internet: URL<<http://www.bobcat.com/loaders/compact-track-loaders/models/t630/photos-videos>>.

Alpha series, Skid Steer Loaders [online], Case and CNH Industrial America LLC, 2014, [retrieved on Apr. 10, 2015]. Retrieved from the Internet: URL<http://www.casece.com/en_us/Gallery/Downloads/SSL_SR250/Skid-Steer-Compact-Track-Loader-201404.pdf> (20 pages).

Skid Steer Loaders, Compact Track Loaders [online], Case and CNH Industrial America LLC, [retrieved on Aug. 12, 2015]. Retrieved from the Internet: URL<<http://www.casece.com>> (20 pages).

New Skid Steer Loaders, 242D (rear view image) [online], Caterpillar Inc. [retrieved on Aug. 14, 2015]. Retrieved from the Internet: URL<http://www.cat.com/en_US/products/new/equipment/skid-steer-loaders/skid-steer-loaders/18484370.html> (6 pages).

New Skid Steer Loaders, 242D (front view image) [online], Caterpillar Inc. [retrieved on Aug. 14, 2015]. Retrieved from the Internet: URL<http://www.cat.com/en_US/products/new/equipment/skid-steer-loaders/skid-steer-loaders/18484370.html> (6 pages).

246C 262C Series 2 Skid Steer Loaders, Caterpillar Inc., May 2012, AEHQ5966-01 (12 pages).

279C Series 2, 289C Series 2 Compact Track Loaders, Caterpillar Inc., May 2012, AEHQ6575 (12 pages).

Caterpillar 279D photograph (rear view) [online], [retrieved on Aug. 2, 2016]. Retrieved from the Internet: URL<[http://s7d2.scene7.com/is/image/Caterpillar/C814645?\\$ccg\\$](http://s7d2.scene7.com/is/image/Caterpillar/C814645?ccg)>.

Caterpillar 279D photograph (side view) [online], [retrieved on Aug. 2, 2016]. Retrieved from the Internet: URL<[http://s7d2.scene7.com/is/image/Caterpillar/C772075?\\$ccg\\$](http://s7d2.scene7.com/is/image/Caterpillar/C772075?ccg)>.

216B/226B/236BB Series 3, 242B/252B Series 3 Skid Steer Loaders, Caterpillar Inc., Jun. 2011, AEHQ6131 02 (16 pages).

John Deere 300-Series Skid Steers 313 315, 2007, DKA31315CWP (16 pages).

John Deere 300-Series Skid Steers 317 320 325 328 322, 2009, DKA300SSLCWP (20 pages).

John Deere E-Series Skid Steer Loaders 318E 320E 326E 328E 332E, 2013, DKAESSCWP (20 pages).

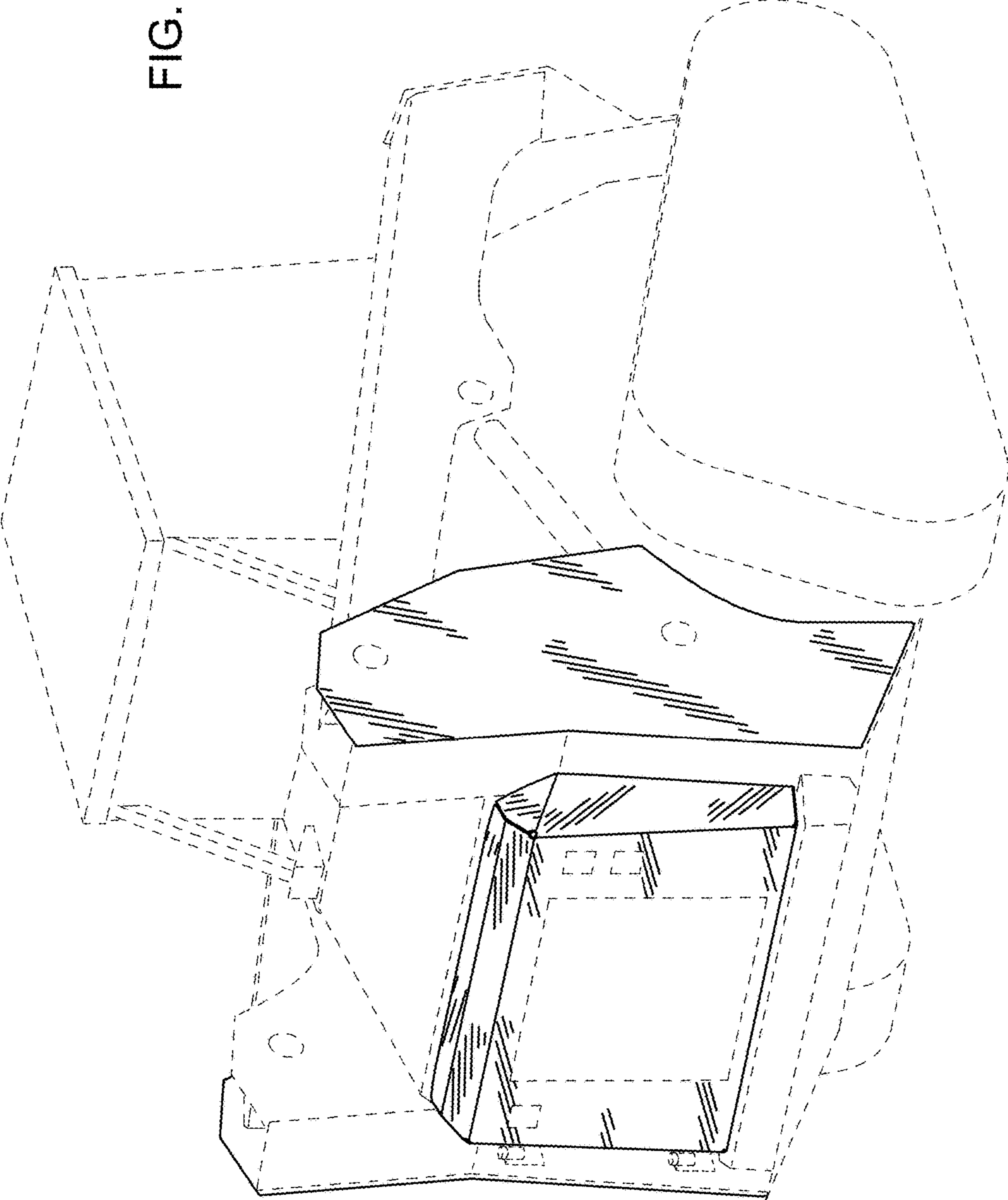
John Deere D-Series Skid Steers, 2010, DKADSSCWP (20 pages).

John Deere G-Series Small Frames 312GR 314G 316GR 317G 318G, 2016, DKAGSSCWP (24 pages).

Bobcat S850 photograph [online], [retrieved on Apr. 10, 2015]. Retrieved from the Internet: URL<<http://www.bobcat.com/publicadmin/getImage.do?id=61929&width=500>>.

* cited by examiner

FIG. 1



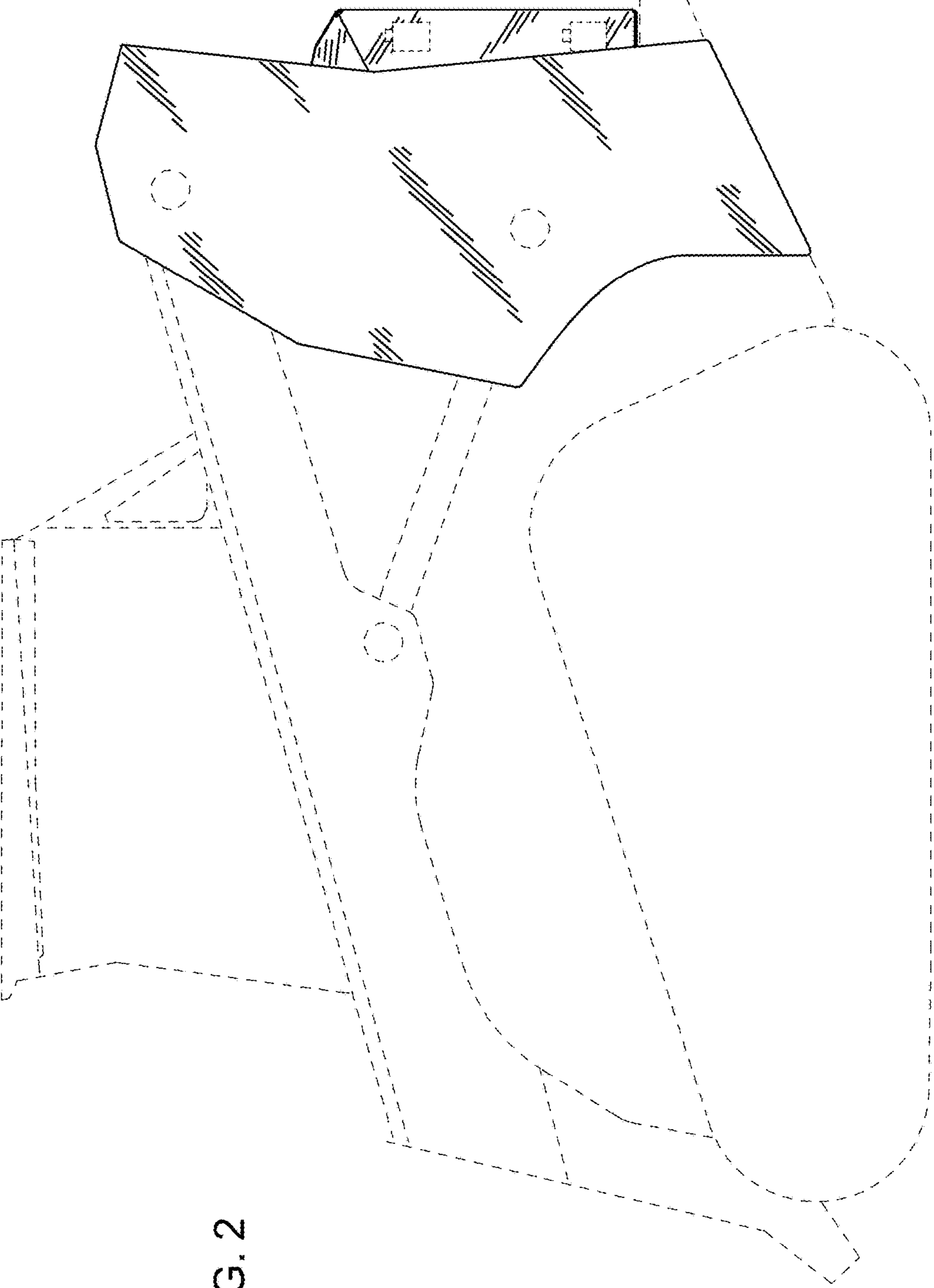


FIG. 2

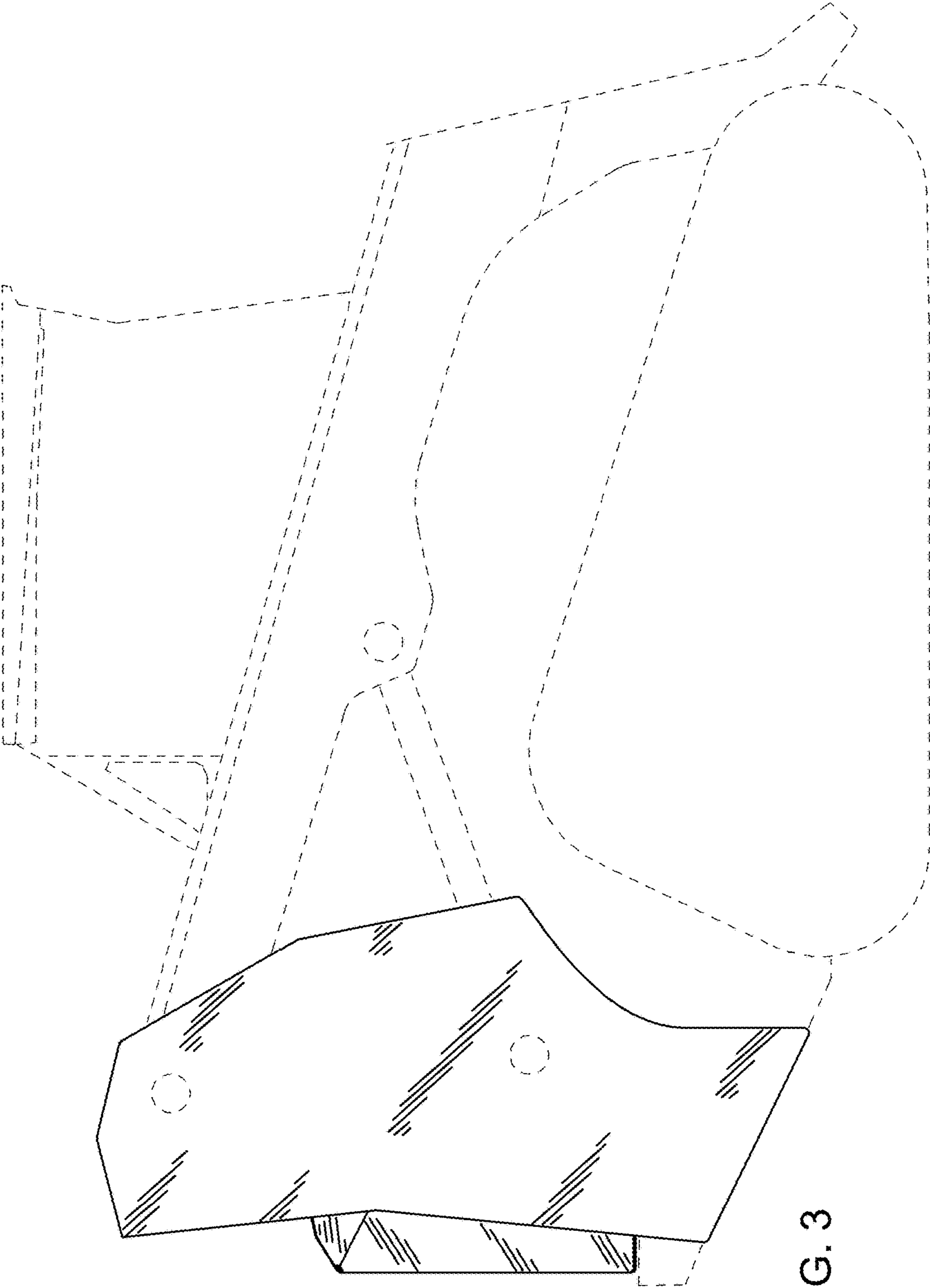


FIG. 3

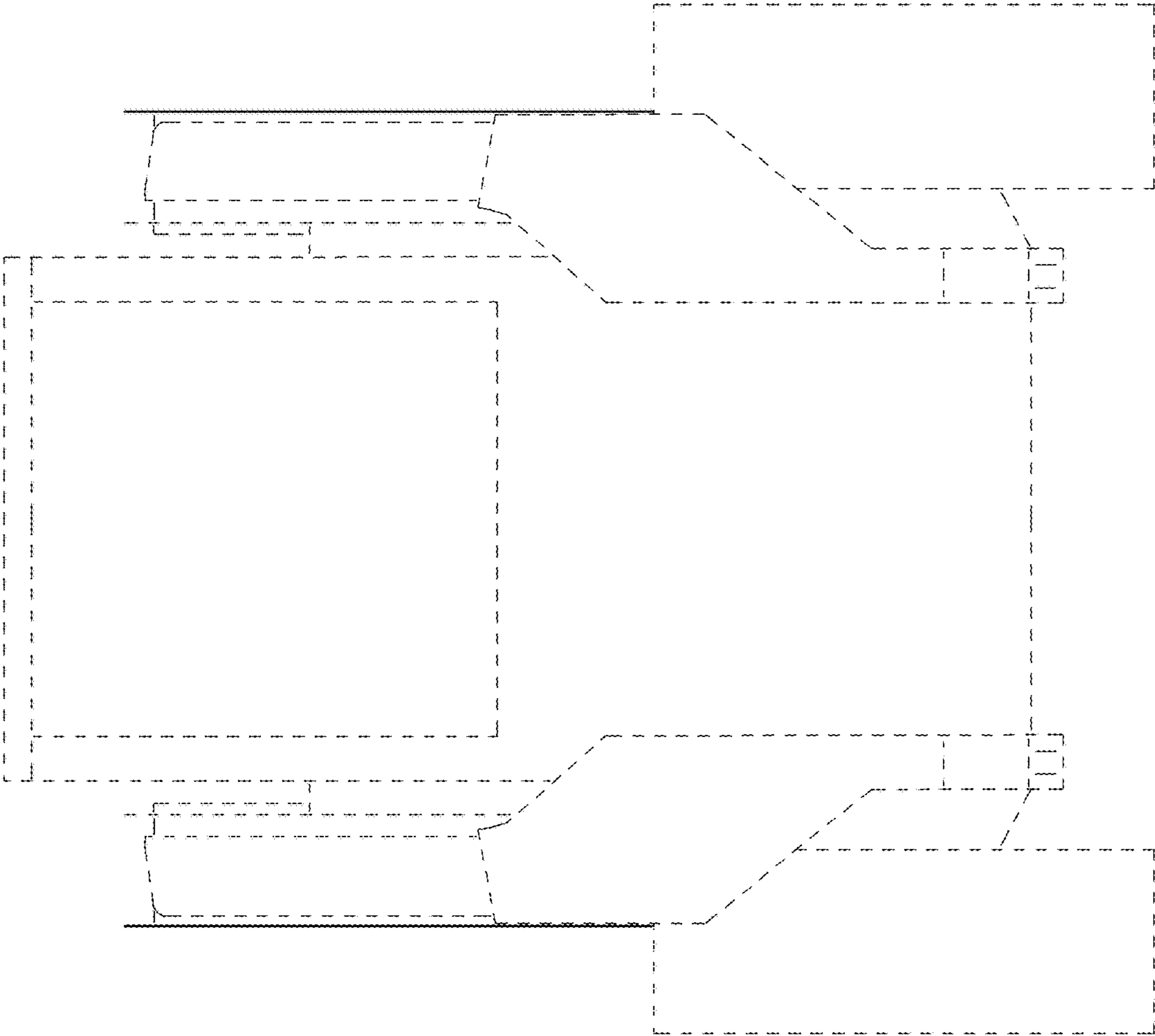


FIG. 4

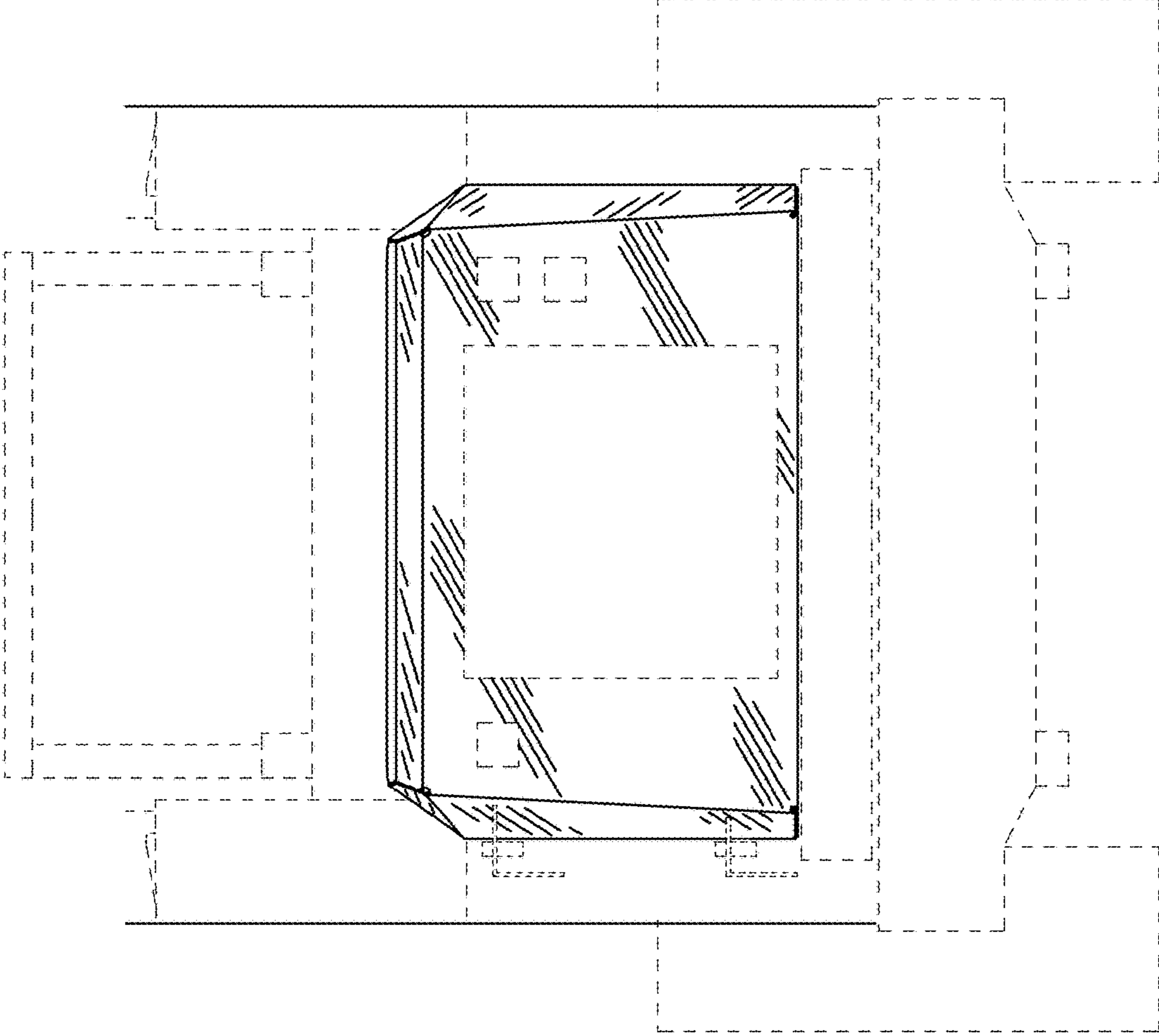


FIG. 5

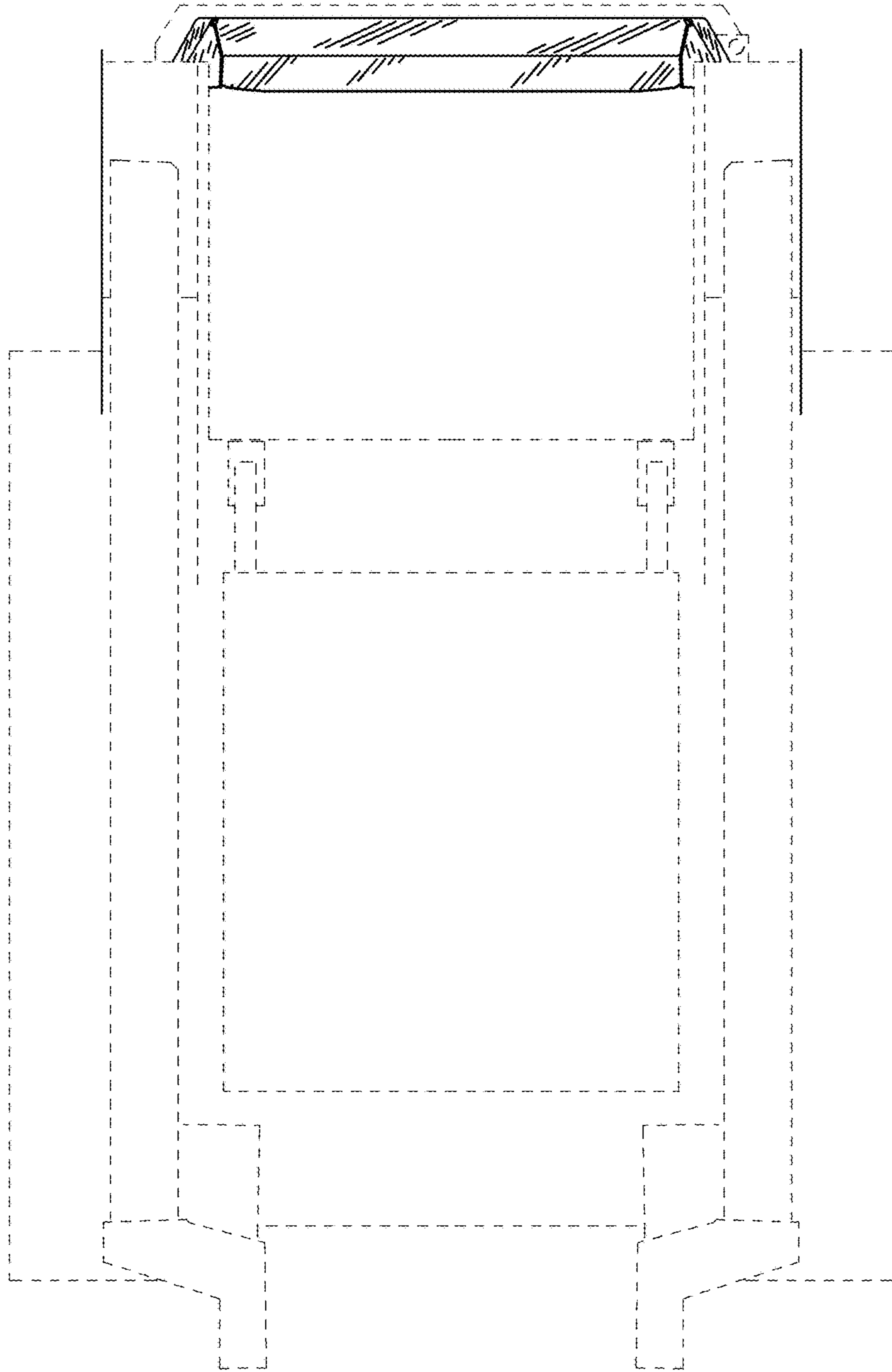


FIG. 6

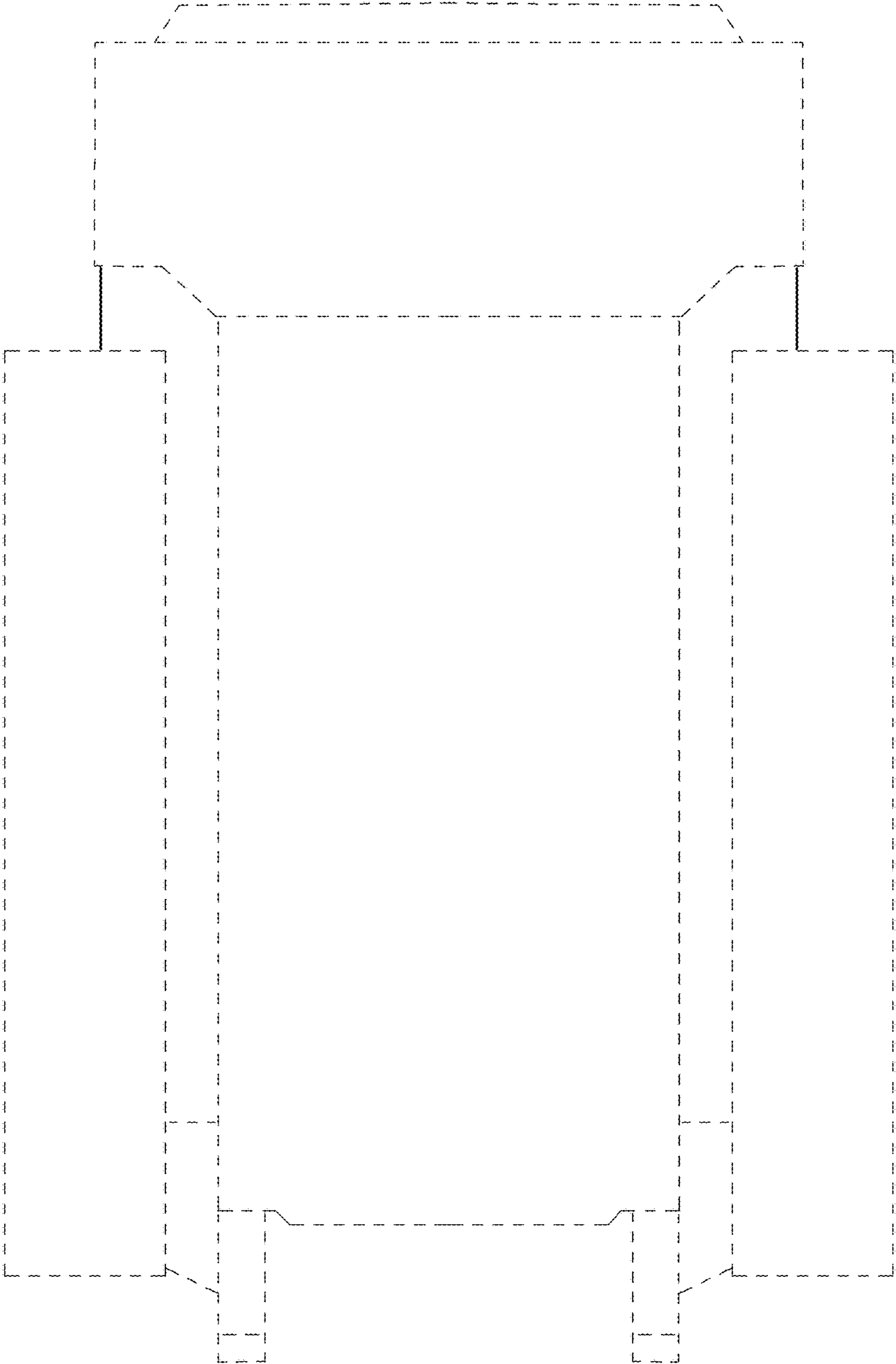


FIG. 7