



US00D799560S

(12) **United States Design Patent**
Allred

(10) **Patent No.:** **US D799,560 S**

(45) **Date of Patent:** **** Oct. 10, 2017**

(54) **ATTACHABLE TRACTOR WHEEL
TRACTION DEVICE**

(71) Applicant: **Jimmy Wayne Allred**, Henderson, TX
(US)

(72) Inventor: **Jimmy Wayne Allred**, Henderson, TX
(US)

(**) Term: **15 Years**

(21) Appl. No.: **29/570,868**

(22) Filed: **Jul. 12, 2016**

(51) **LOC (10) Cl.** **15-03**

(52) **U.S. Cl.**
USPC **D15/28**

(58) **Field of Classification Search**
USPC D15/10, 11, 17, 28; 301/50; 180/7.1
CPC B60B 15/00-15/28
See application file for complete search history.

(56) **References Cited**

U.S. PATENT DOCUMENTS

1,395,134	A *	10/1921	Messner	B60B 15/00 301/44.1
2,713,394	A *	7/1955	Howell	B60B 15/00 180/7.1
D243,599	S *	3/1977	Gilmartin	D11/27
D323,312	S *	1/1992	Tandy	305/185
D346,778	S *	5/1994	Hori	D12/608
5,388,656	A *	2/1995	Lagasse	B62D 49/0635 180/9.21
D404,879	S *	1/1999	Murakami	D34/27

6,158,827	A *	12/2000	Hostetler	B62D 55/30 305/125
6,837,286	B2 *	1/2005	Labbe	B60B 15/00 152/217
6,983,778	B1 *	1/2006	Pitts	B60C 27/045 152/216
D597,481	S *	8/2009	Toren	D12/608
7,901,015	B1 *	3/2011	Anderson	B62D 55/28 152/225 C
8,424,981	B1 *	4/2013	Stratton, Jr.	B62D 55/286 305/187
D774,448	S *	12/2016	Smith	D12/608
2004/0055681	A1 *	3/2004	Labbe	B60B 15/00 152/170

* cited by examiner

Primary Examiner — Mark Goodwin
(74) *Attorney, Agent, or Firm* — RG Patent Consulting, LLC; Rachel Gilboy

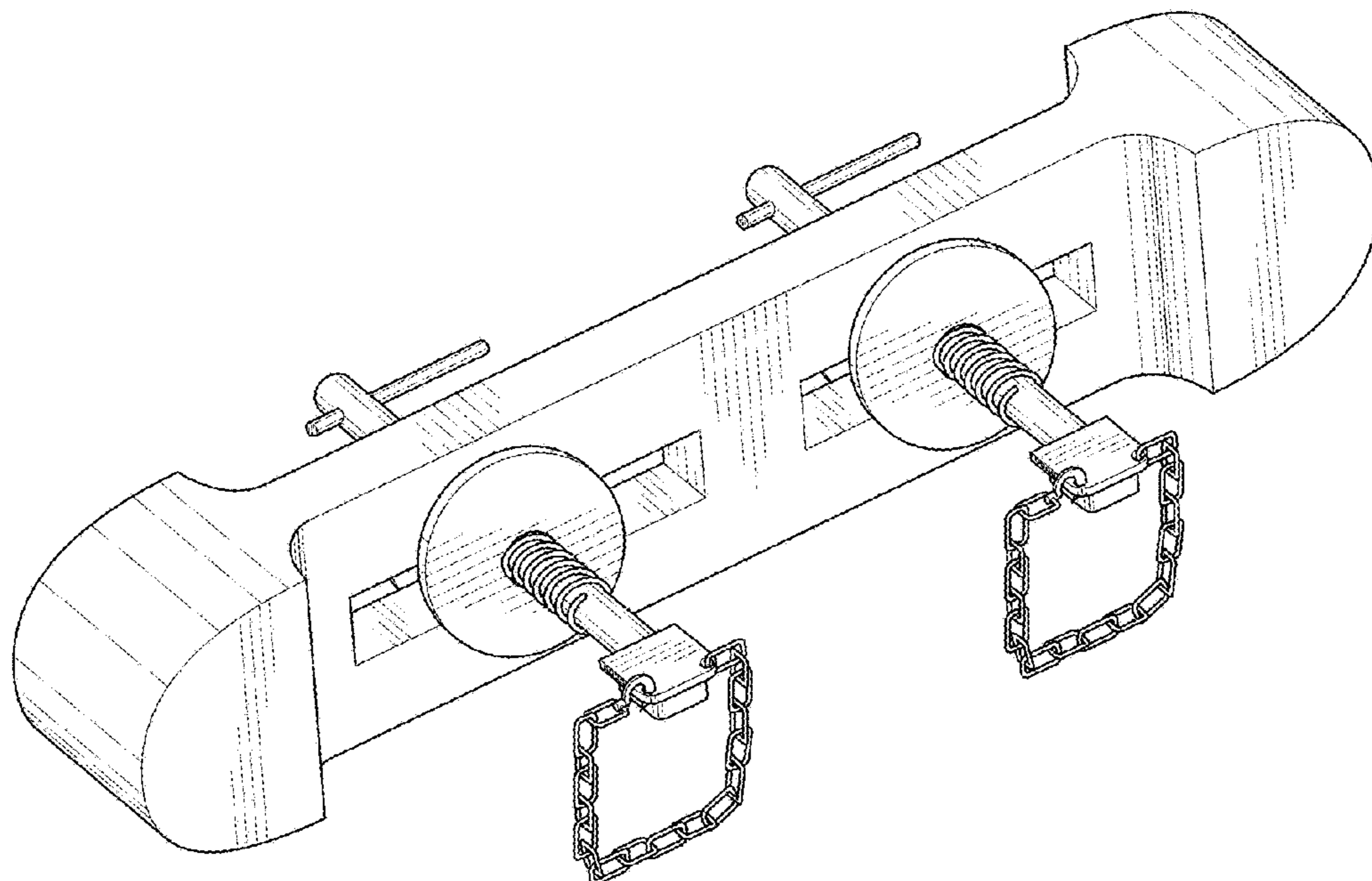
(57) **CLAIM**

The ornamental design for an attachable tractor wheel traction device, as shown and described.

DESCRIPTION

FIG. 1 is a perspective view of the attachable tractor wheel traction device showing my new design; FIG. 2 is a front elevation view thereof; FIG. 3 is a rear elevation view thereof; FIG. 4 is a right elevation view thereof; FIG. 5 is a left elevation view thereof; FIG. 6 is a top plan view thereof; and, FIG. 7 is a bottom plan view thereof. Broken lines are included for depicting environmental subject matter and form no part of the claimed design.

1 Claim, 5 Drawing Sheets



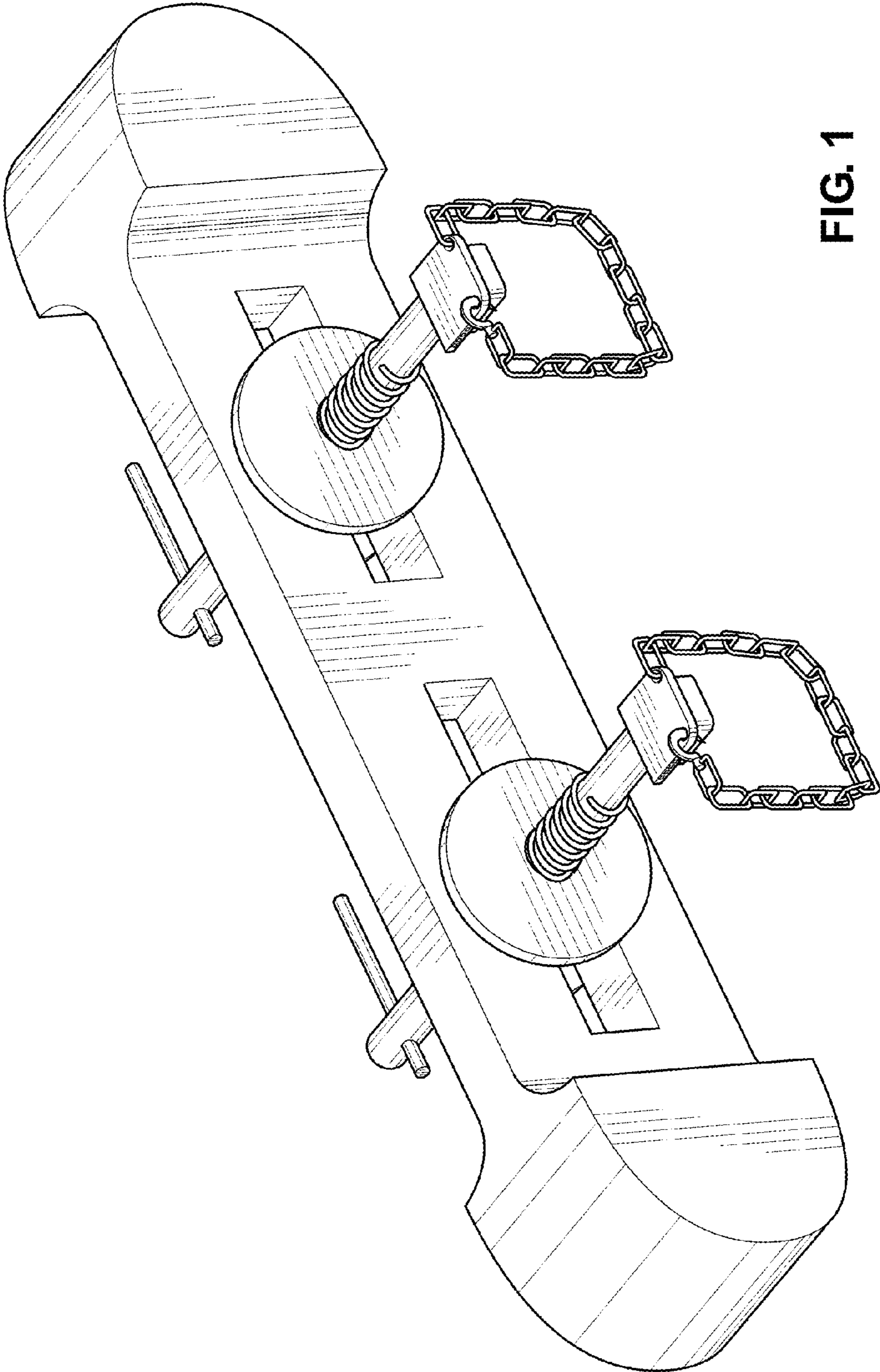


FIG. 1

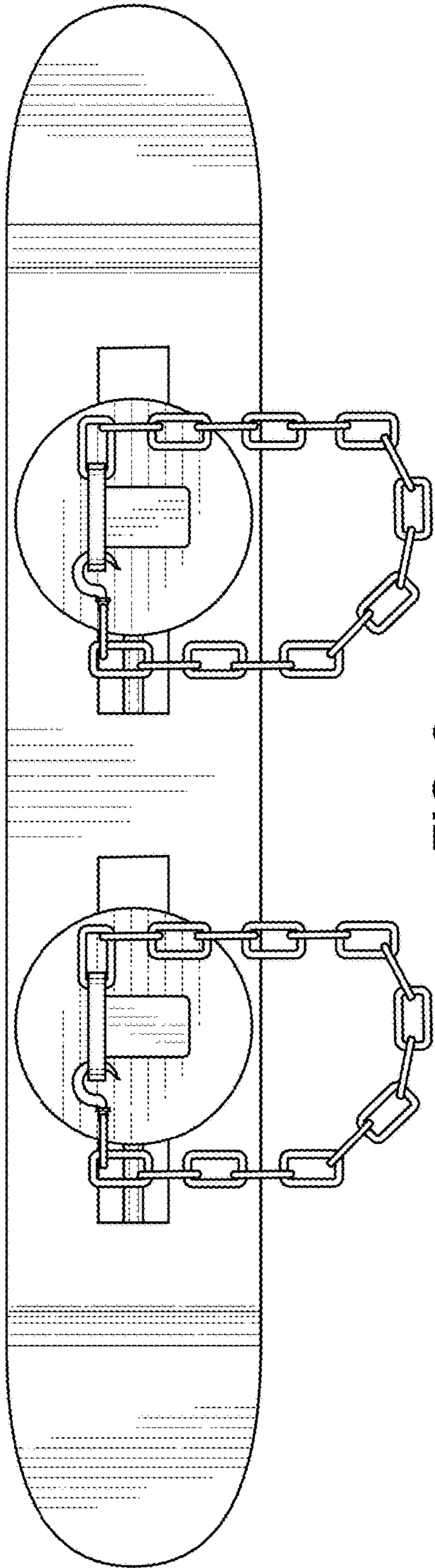


FIG. 2

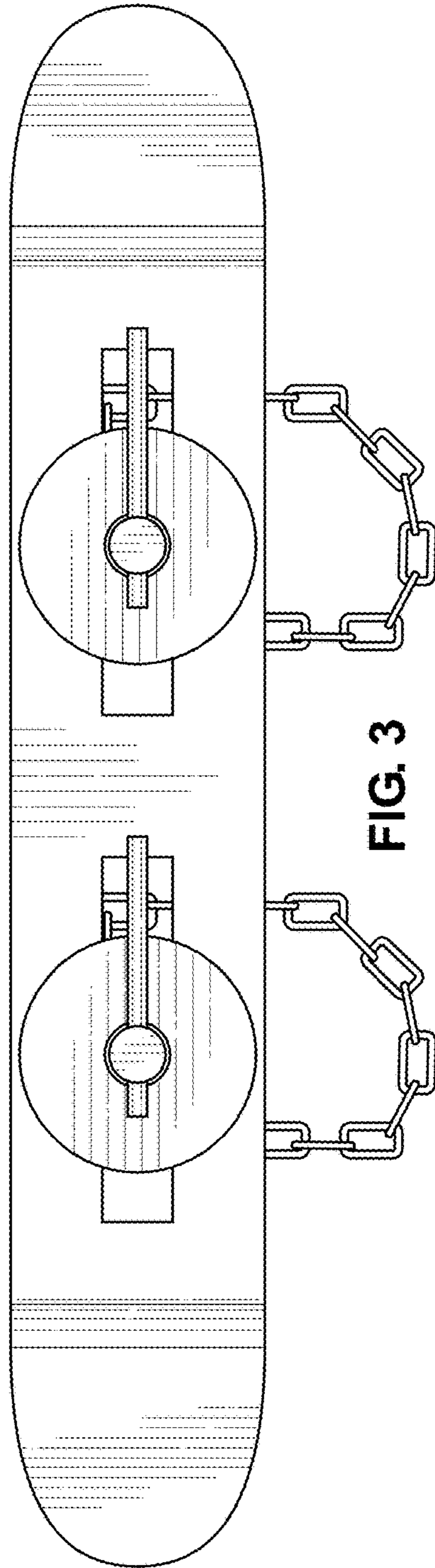


FIG. 3

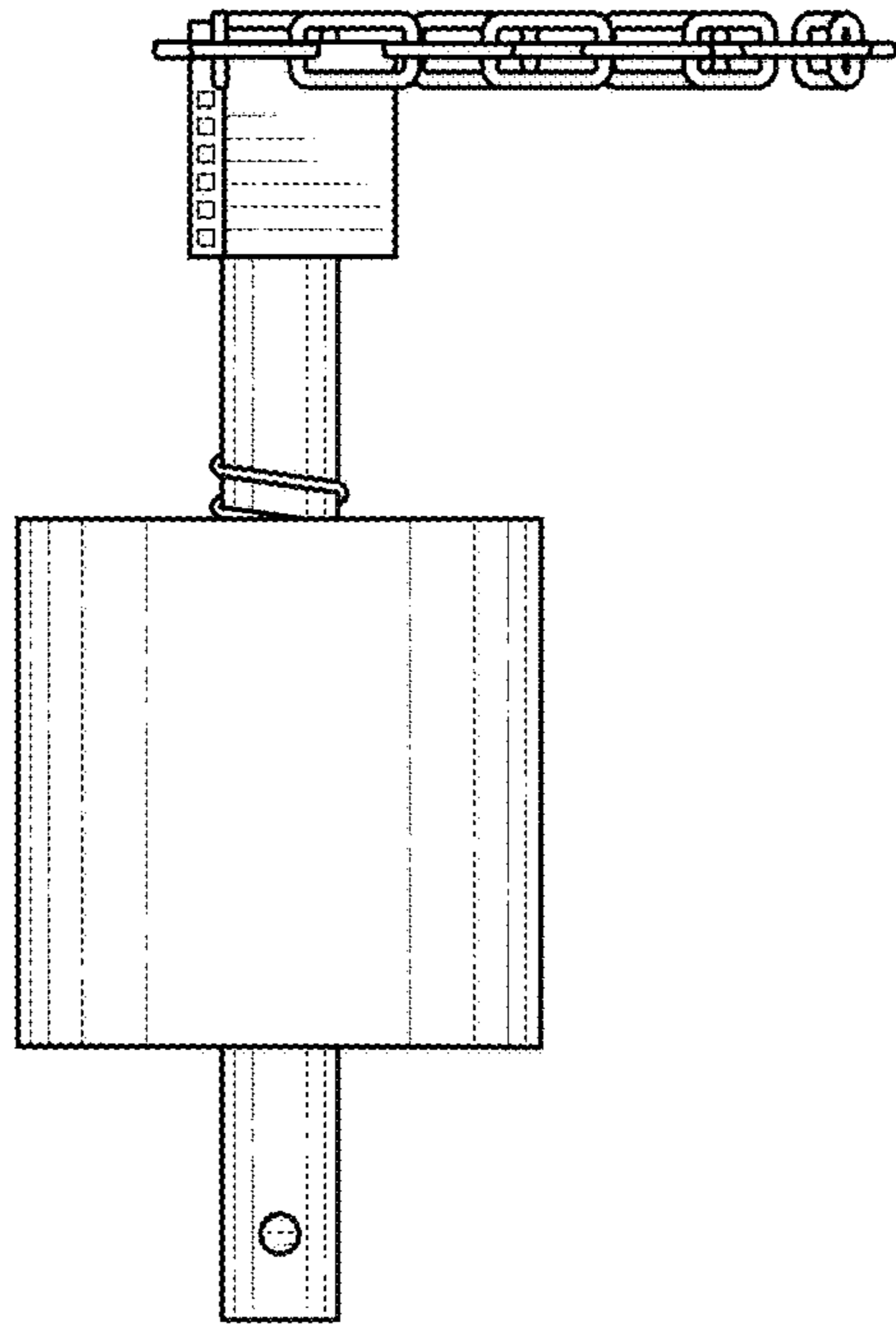


FIG. 5

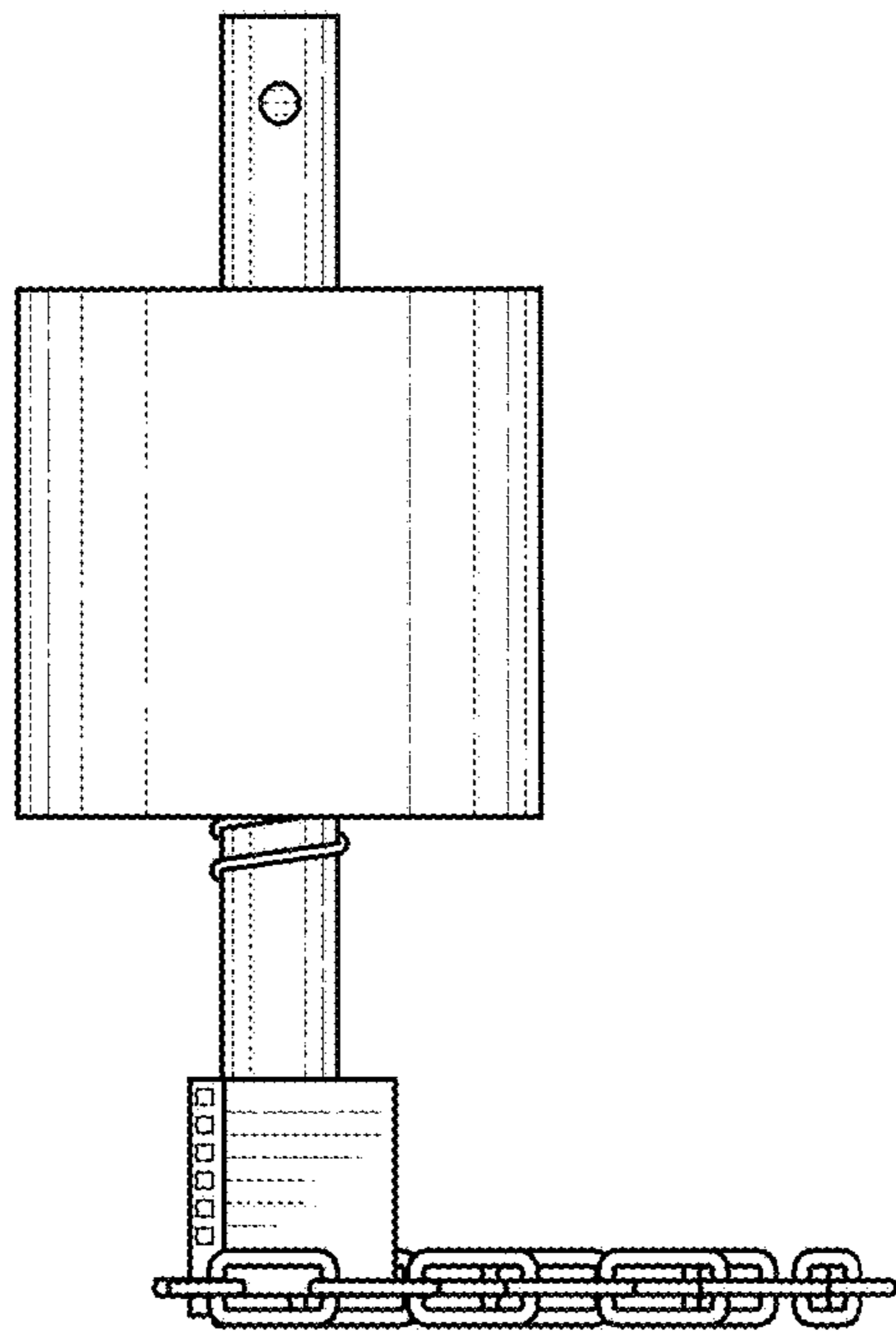


FIG. 4

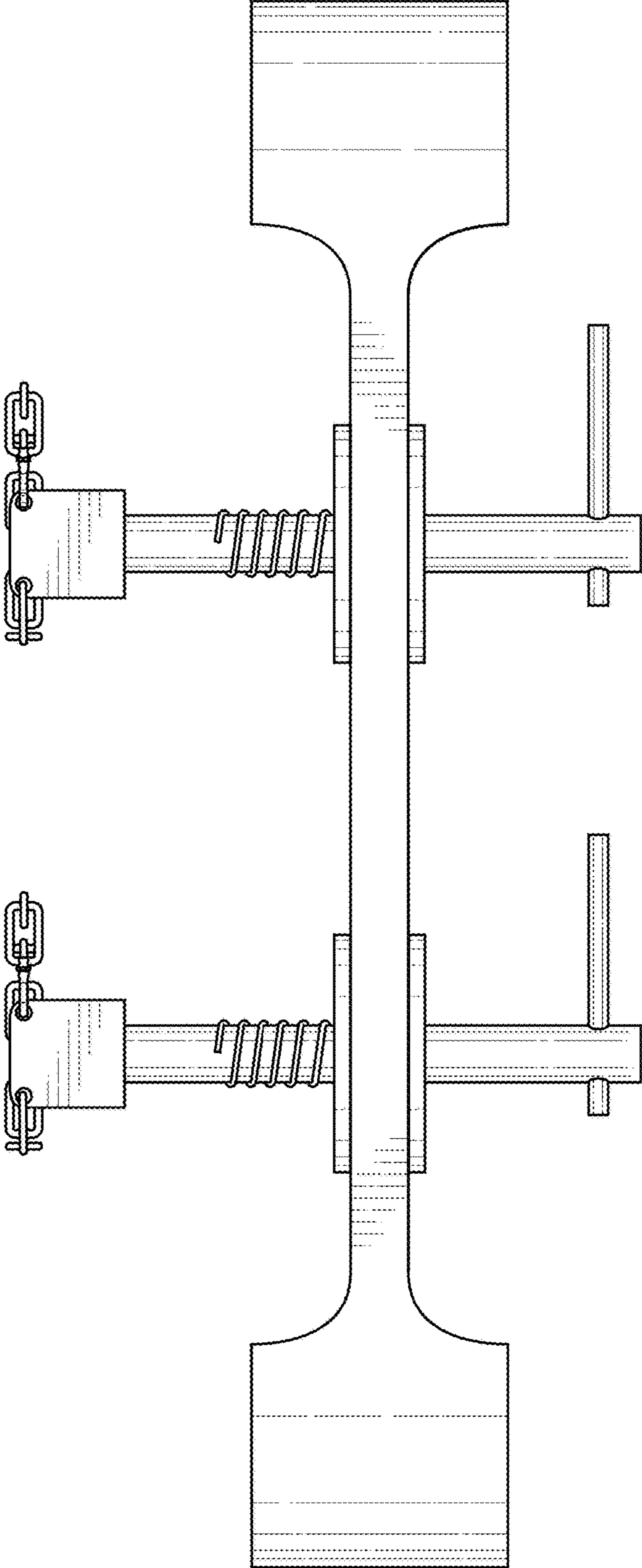


FIG. 6

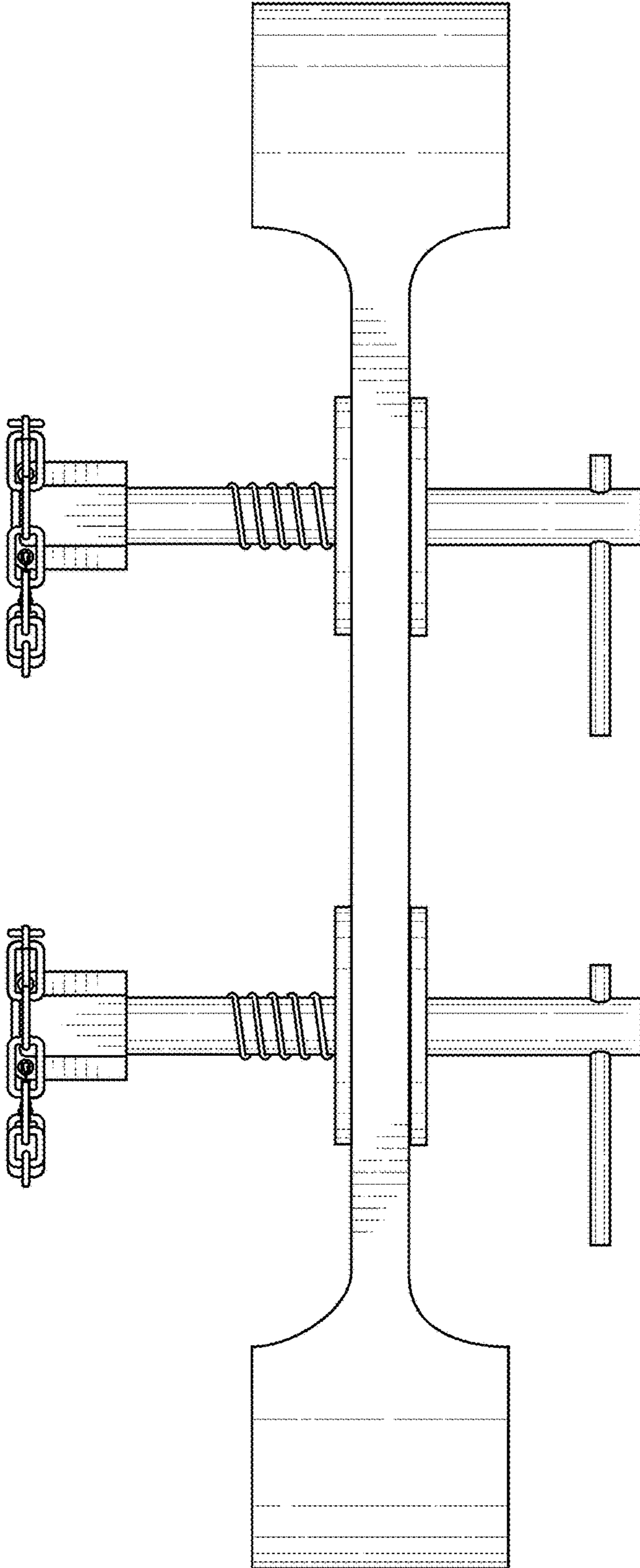


FIG. 7