



US00D799558S

(12) **United States Design Patent** (10) **Patent No.:** **US D799,558 S**
Renz (45) **Date of Patent:** **** Oct. 10, 2017**

(54) **ROAD ROLLER**

D621,422 S * 8/2010 Loew D15/20
D753,190 S * 4/2016 Geier D15/20

(71) Applicant: **HAMM AG**, Tirschenreuth (DE)

* cited by examiner

(72) Inventor: **Julius Renz**, Taufkirchen (DE)

Primary Examiner — Mark Goodwin

(73) Assignee: **HAMM AG**, Tirschenreuth (DE)

(74) *Attorney, Agent, or Firm* — Greer, Burns & Crain, Ltd.

(**) Term: **15 Years**

(57) **CLAIM**

(21) Appl. No.: **29/580,887**

The ornamental design for a road roller, as shown and described.

(22) Filed: **Oct. 13, 2016**

DESCRIPTION

(51) **LOC (10) Cl.** **15-03**

(52) **U.S. Cl.**
USPC **D15/20**

(58) **Field of Classification Search**
USPC D15/10, 20, 22, 28, 33
CPC E02D 3/00-3/126; B30B 15/00
See application file for complete search history.

FIG. 1 is a left side view of the present road roller;
FIG. 2 is a right side view of same;
FIG. 3 is a front view of the road roller of FIG. 1;
FIG. 4 is a rear view of same;
FIG. 5 is a top plan view of same;
FIG. 6 is a rear perspective view of the road roller shown in FIG. 1; and,
FIG. 7 is a front perspective view of same.

Applicant is not claiming the bottom view of the present road roller.

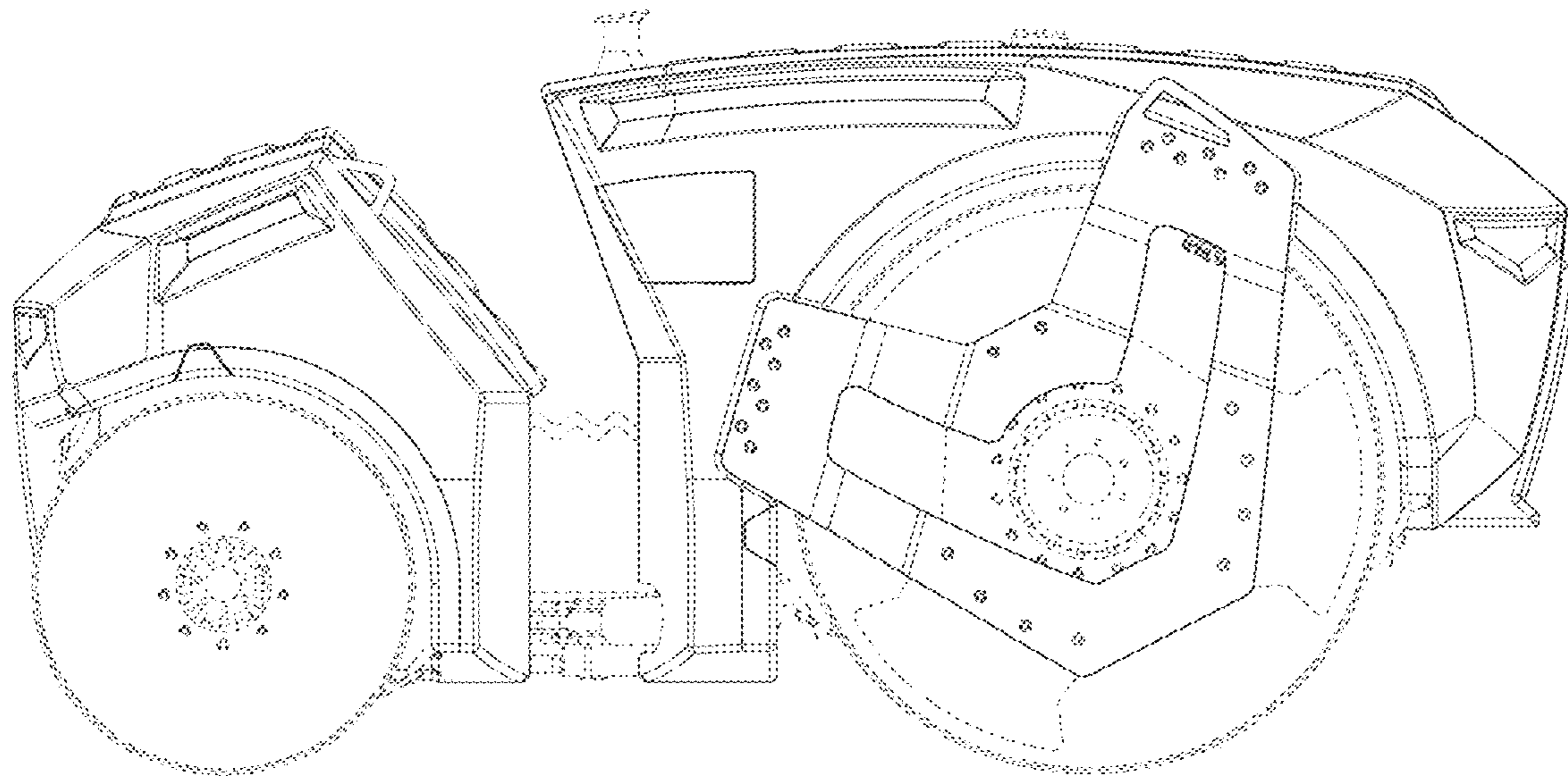
The structure shown in broken lines is for environment purposes only and does not form a part of the claimed invention.

(56) **References Cited**

U.S. PATENT DOCUMENTS

D454,141 S * 3/2002 Geier D15/20
D461,197 S * 8/2002 Geier D15/20

1 Claim, 7 Drawing Sheets



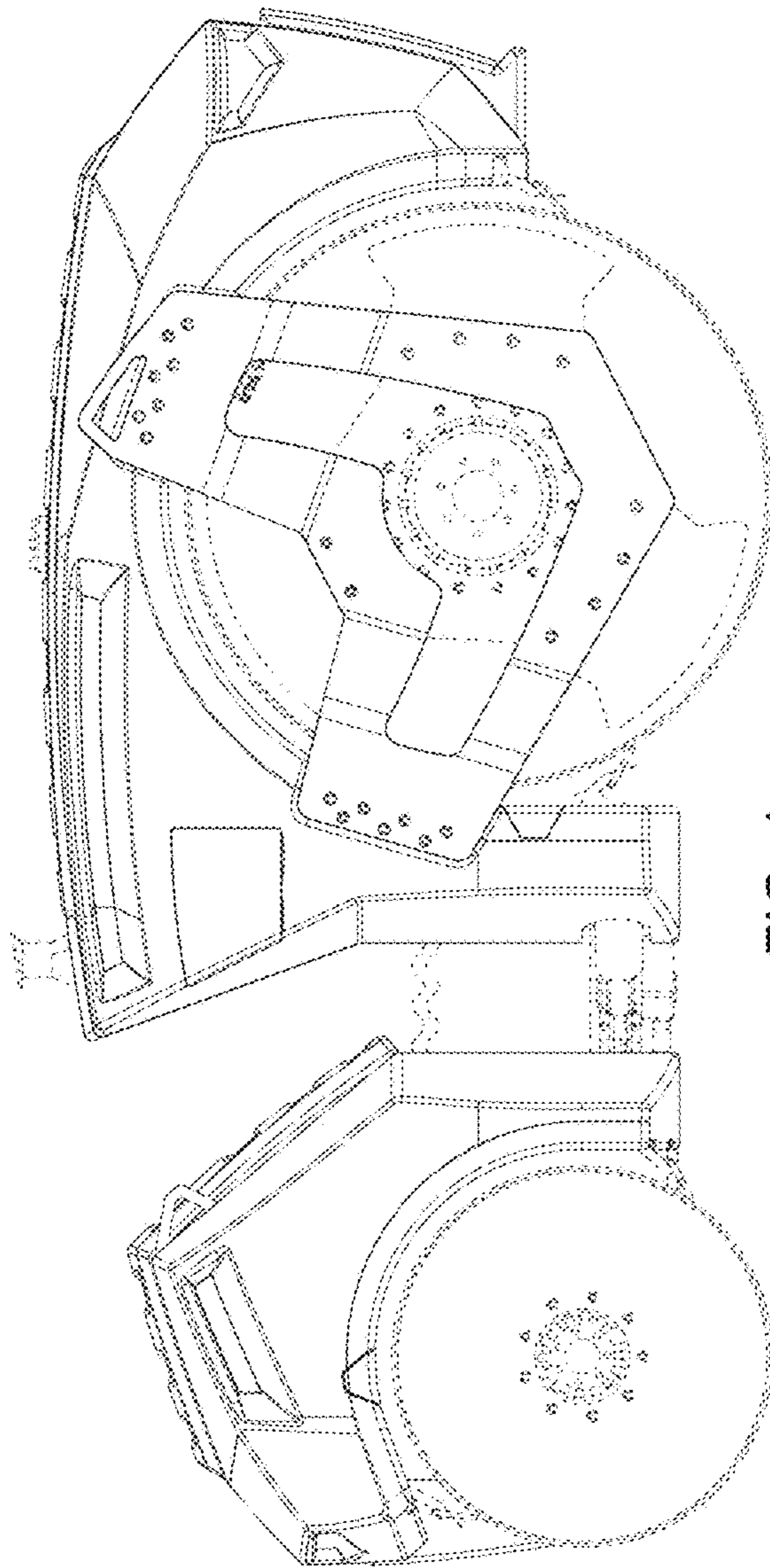


FIG. 1

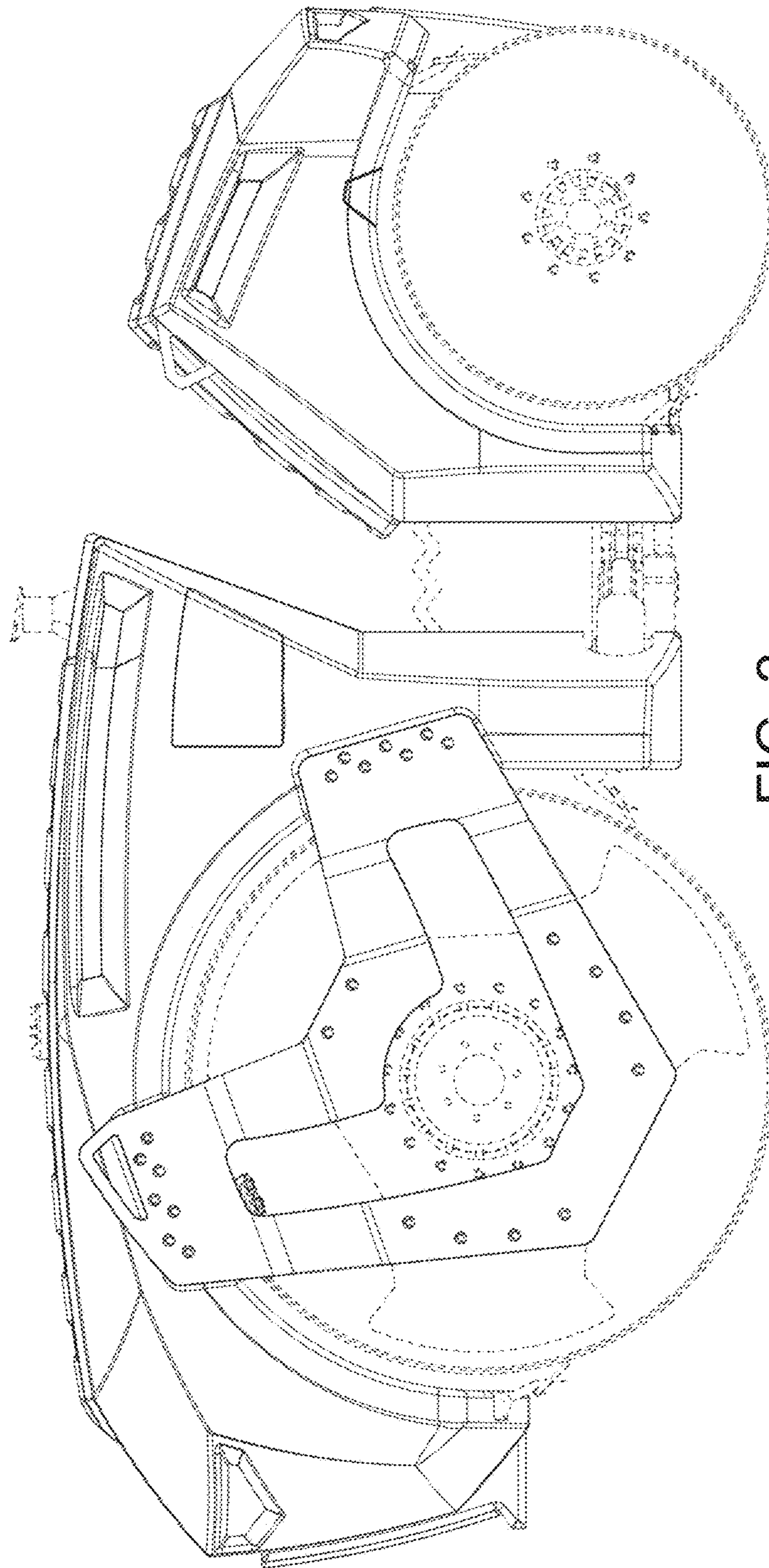


FIG. 2

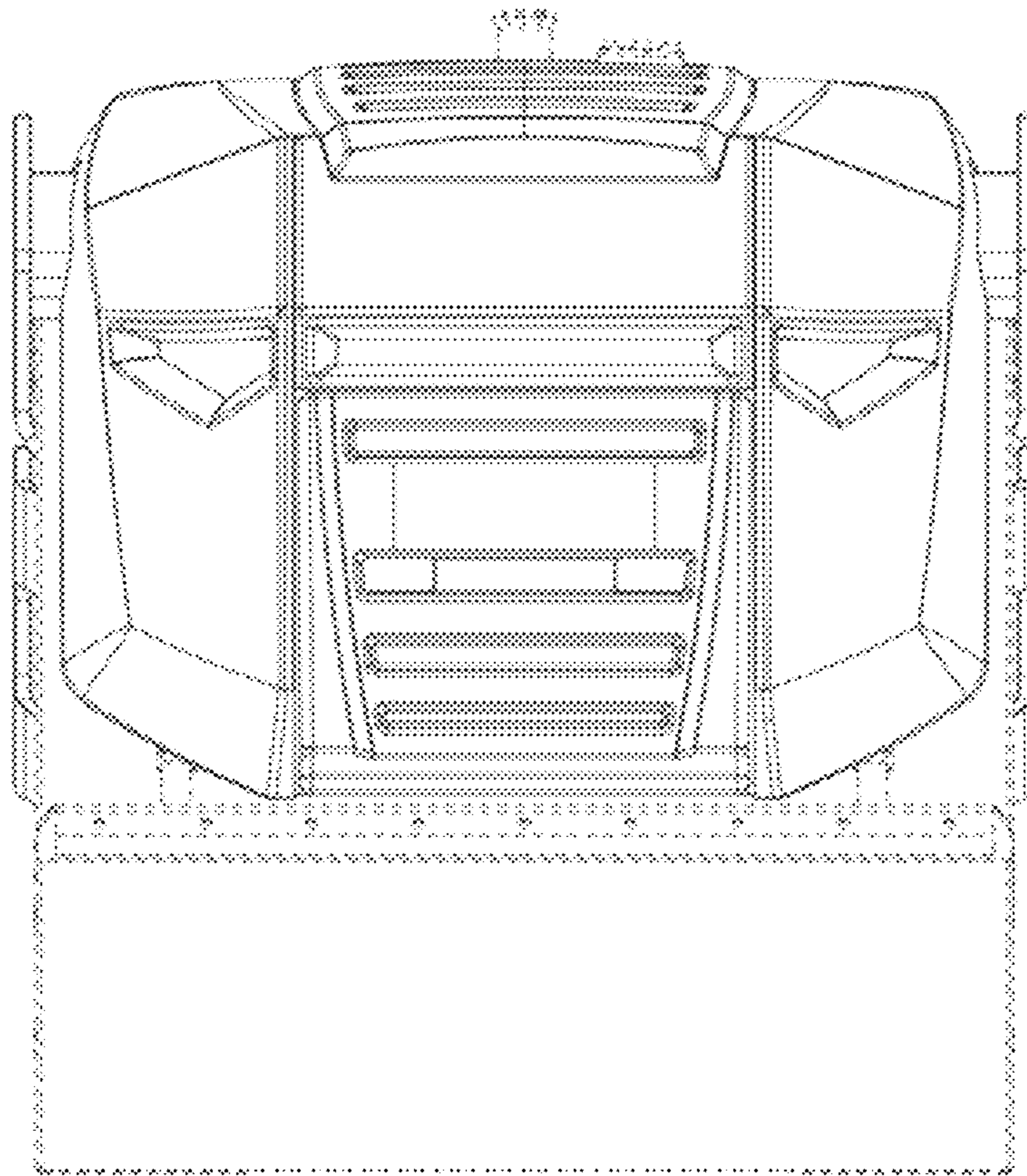


FIG. 3

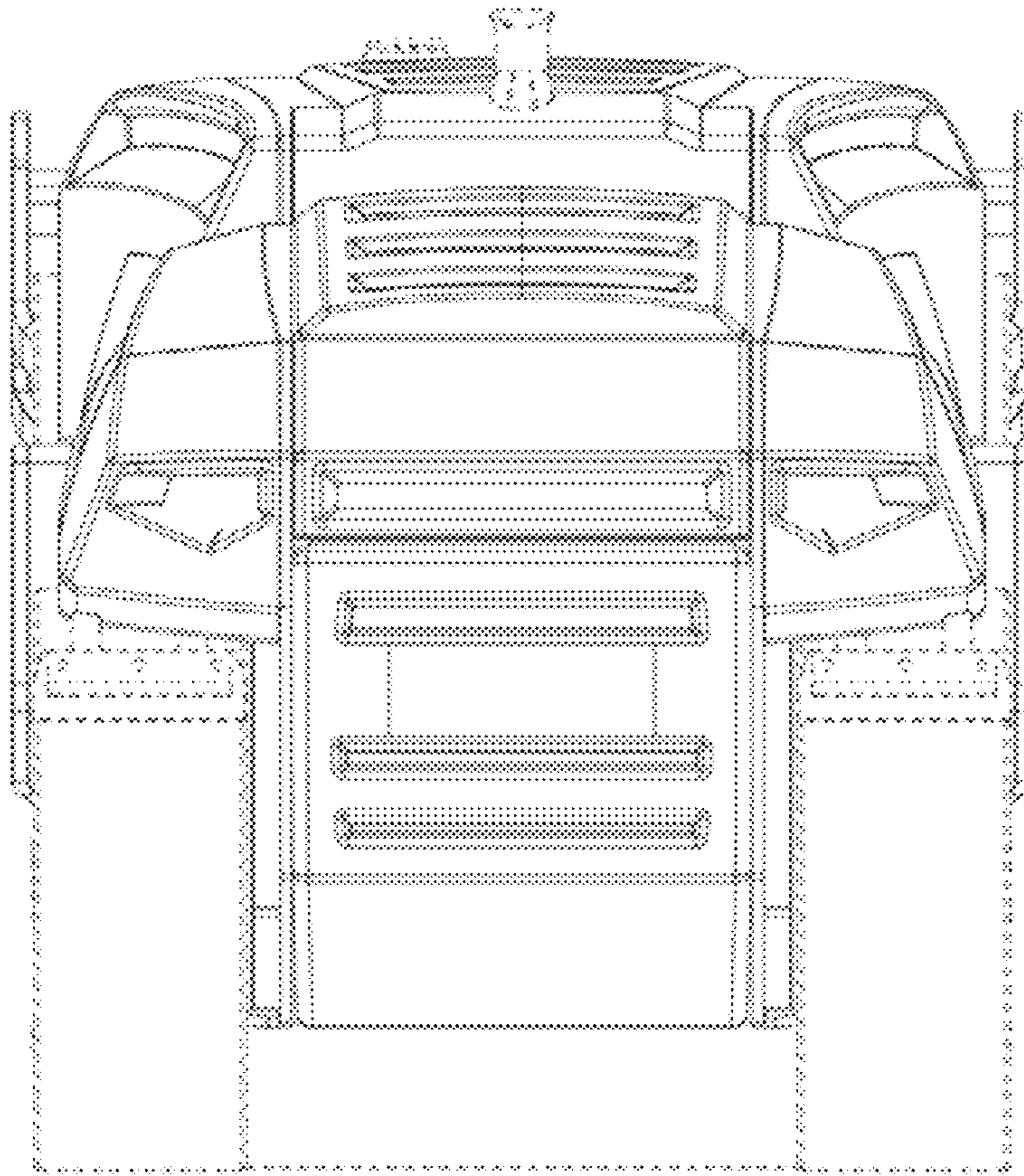


FIG. 4

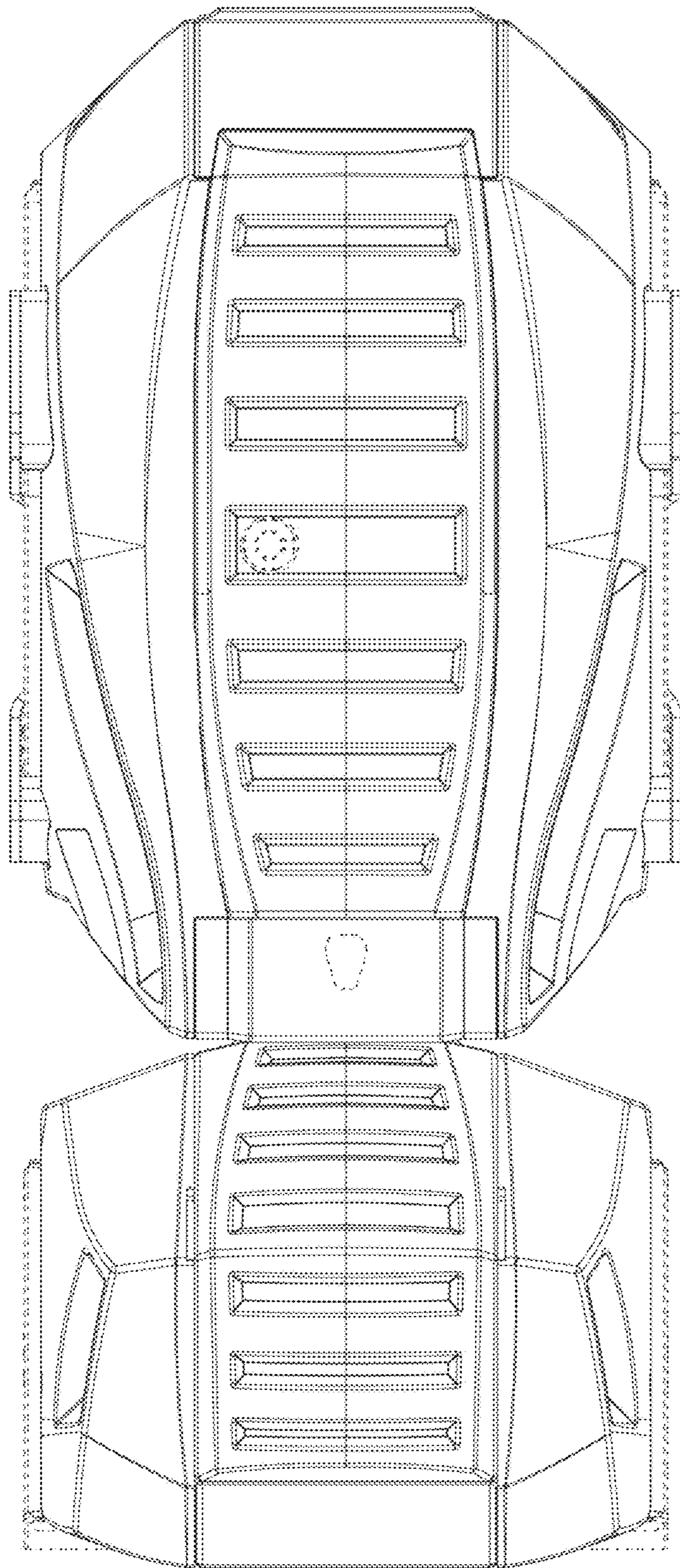


FIG. 5

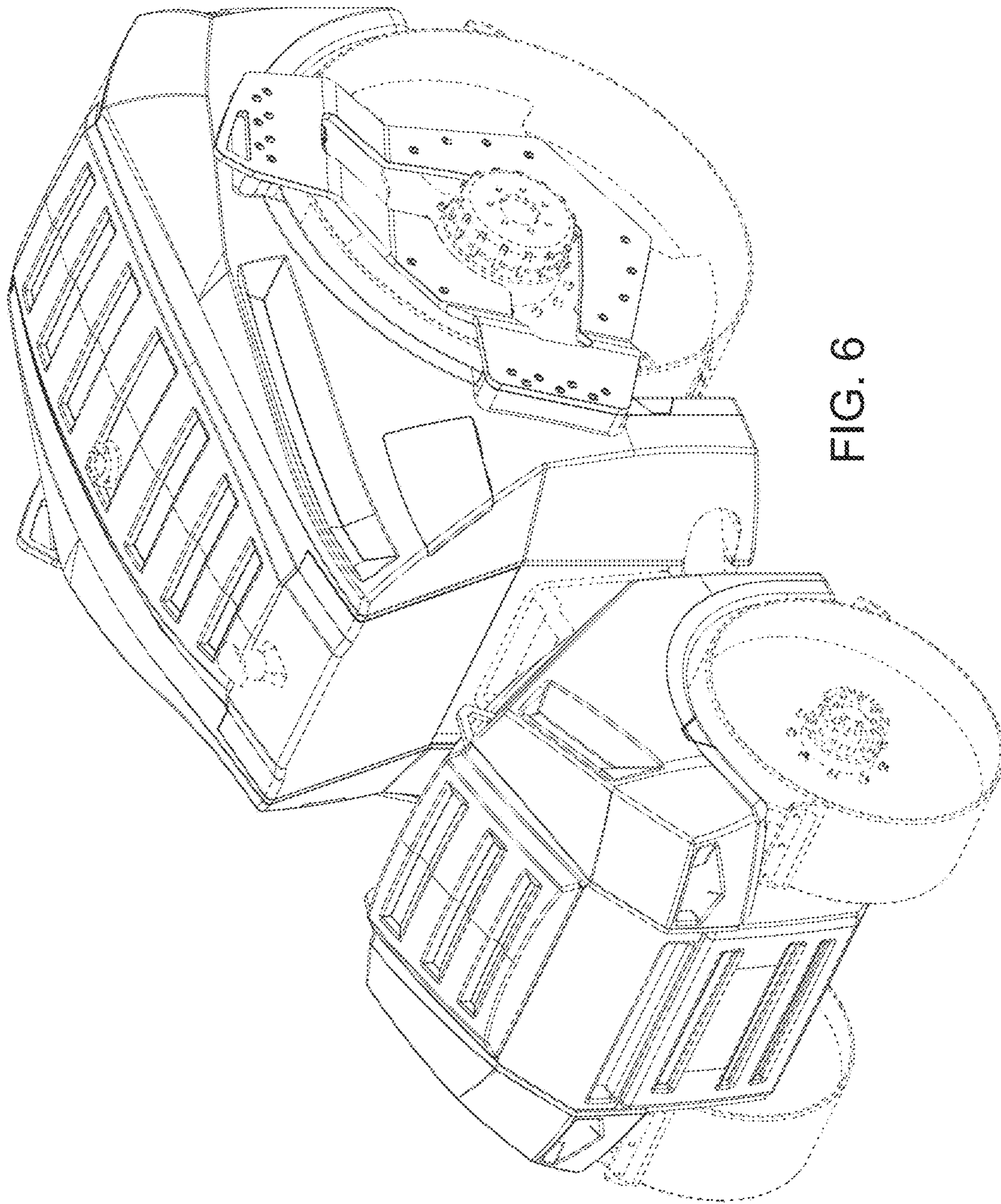


FIG. 6

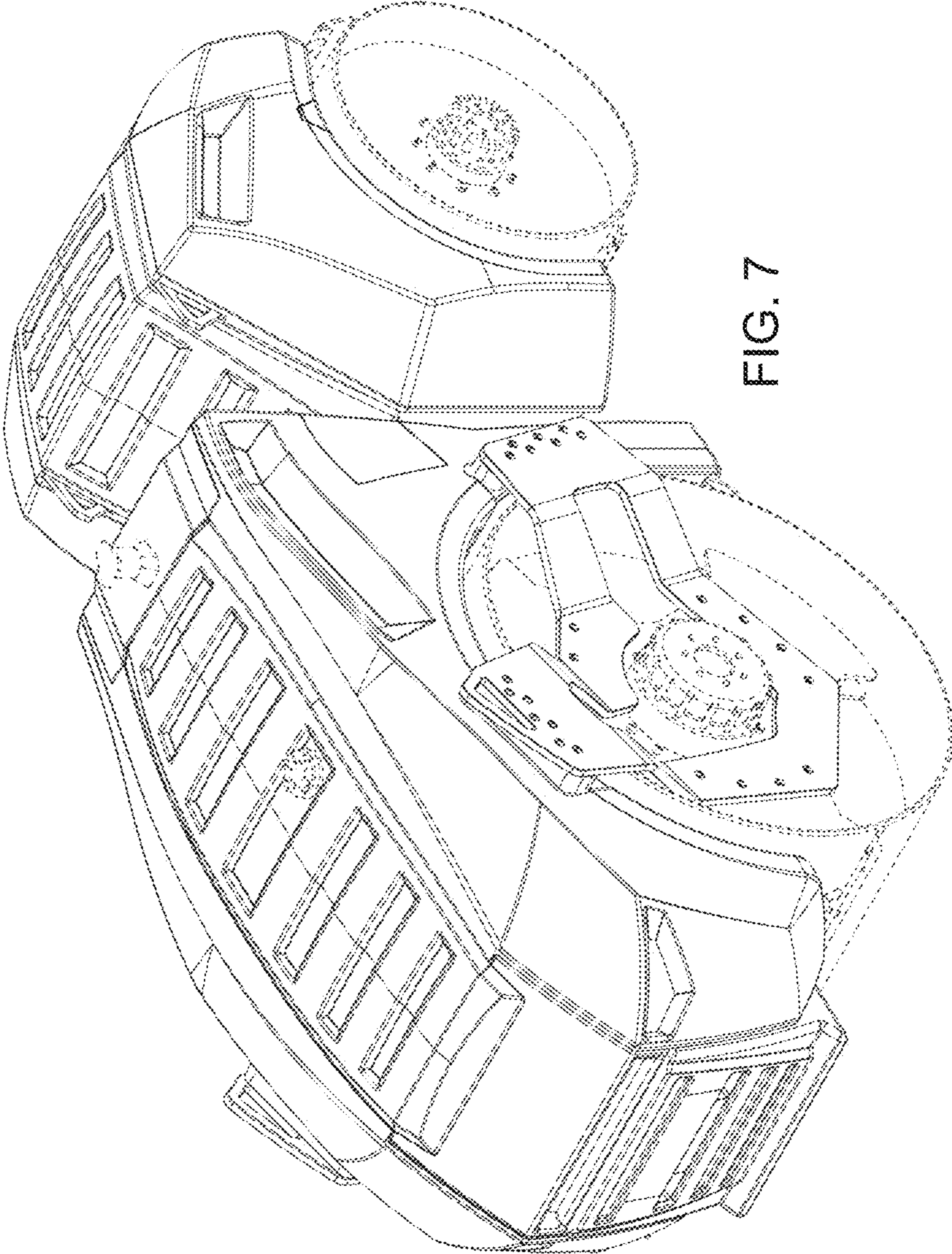


FIG. 7