



US00D799557S

(12) **United States Design Patent**
Renz

(10) **Patent No.:** **US D799,557 S**

(45) **Date of Patent:** **** Oct. 10, 2017**

(54) **ROAD ROLLER**

D461,197 S * 8/2002 Geier D15/20
D621,422 S * 8/2010 Loew D15/20
D753,190 S * 4/2016 Geier D15/20

(71) Applicant: **HAMM AG**, Tirschenreuth (DE)

* cited by examiner

(72) Inventor: **Julius Renz**, Taufkirchen (DE)

Primary Examiner — Mark Goodwin

(73) Assignee: **HAMM AG**, Tirschenreuth (DE)

(74) *Attorney, Agent, or Firm* — Greer, Burns & Crain, Ltd.

(**) Term: **15 Years**

(57) **CLAIM**

(21) Appl. No.: **29/580,886**

The ornamental design for a road roller, as shown and described.

(22) Filed: **Oct. 13, 2016**

(51) **LOC (10) Cl.** **15-03**

(52) **U.S. Cl.**
USPC **D15/20**

DESCRIPTION

(58) **Field of Classification Search**
USPC D15/10, 20, 22, 28, 33
CPC E02D 3/00-3/126; B30B 15/00
See application file for complete search history.

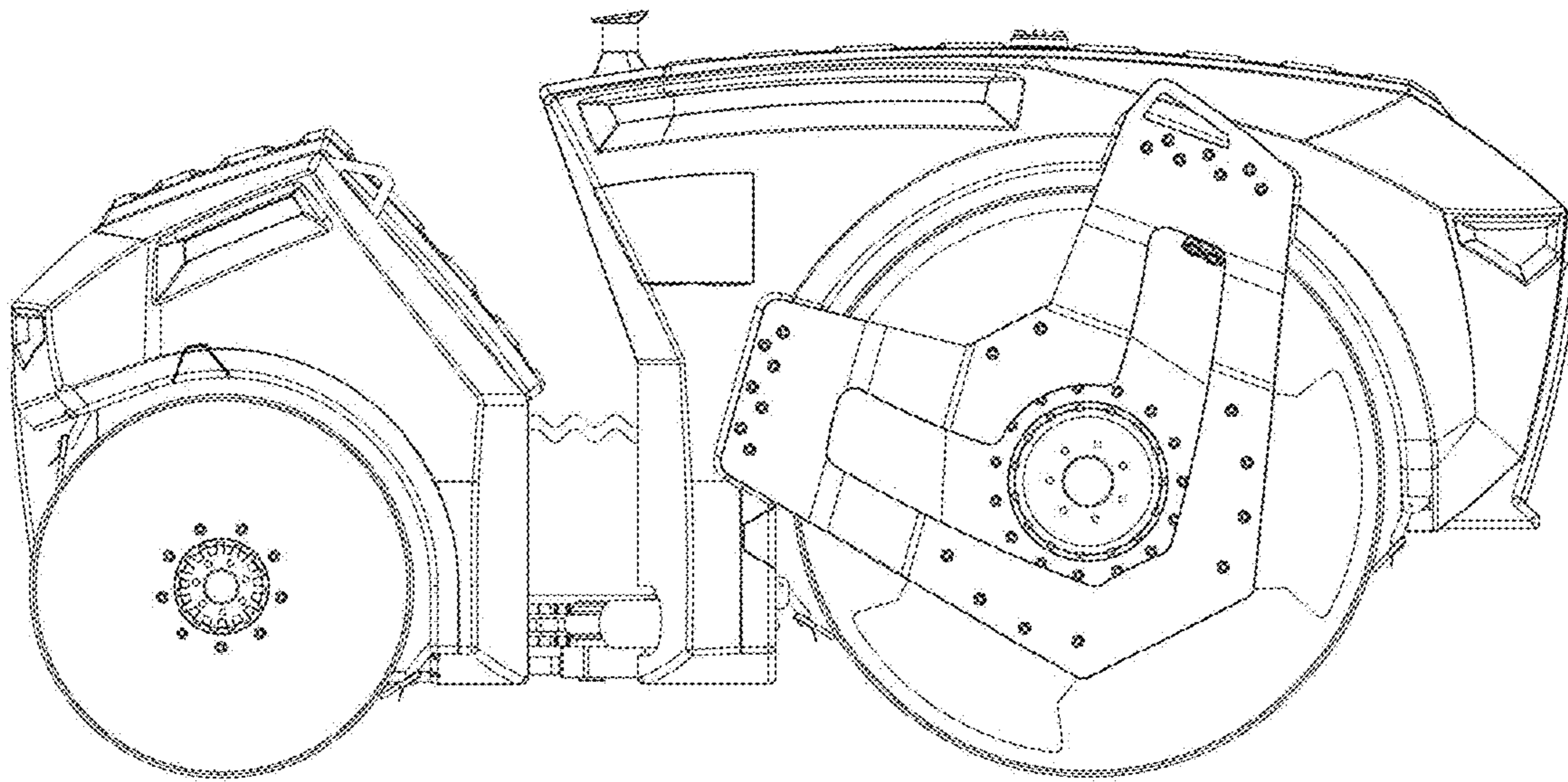
FIG. 1 is a left side view of the present road roller;
FIG. 2 is a right side view of same;
FIG. 3 is a front view of the road roller of FIG. 1;
FIG. 4 is a rear view of same;
FIG. 5 is a top plan view of same;
FIG. 6 is a rear perspective view of the road roller shown in FIG. 1; and,
FIG. 7 is front perspective view of same.
Applicant does not claim a bottom view of this design.

(56) **References Cited**

U.S. PATENT DOCUMENTS

D454,141 S * 3/2002 Geier D15/20

1 Claim, 7 Drawing Sheets



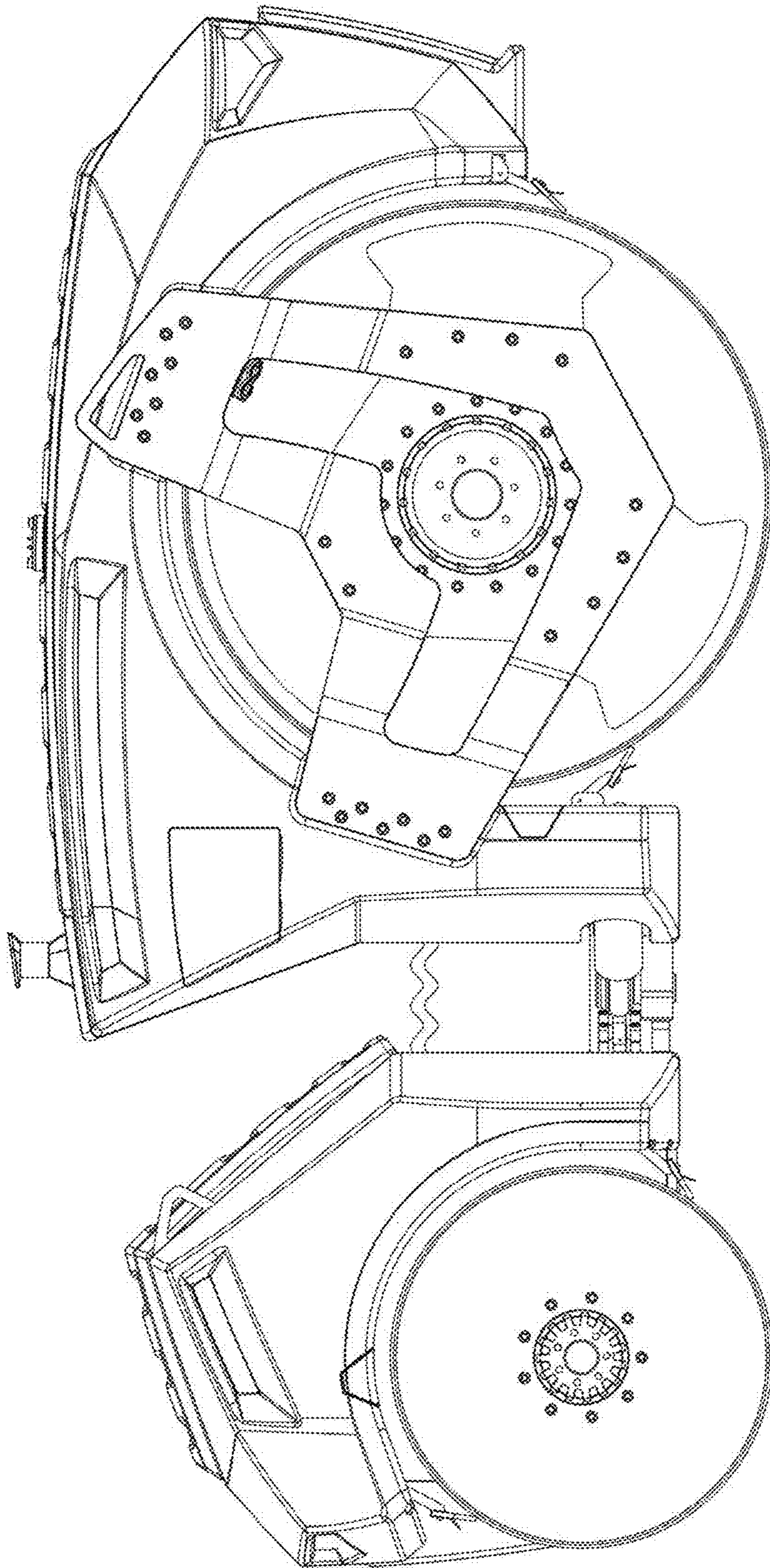


FIG. 1

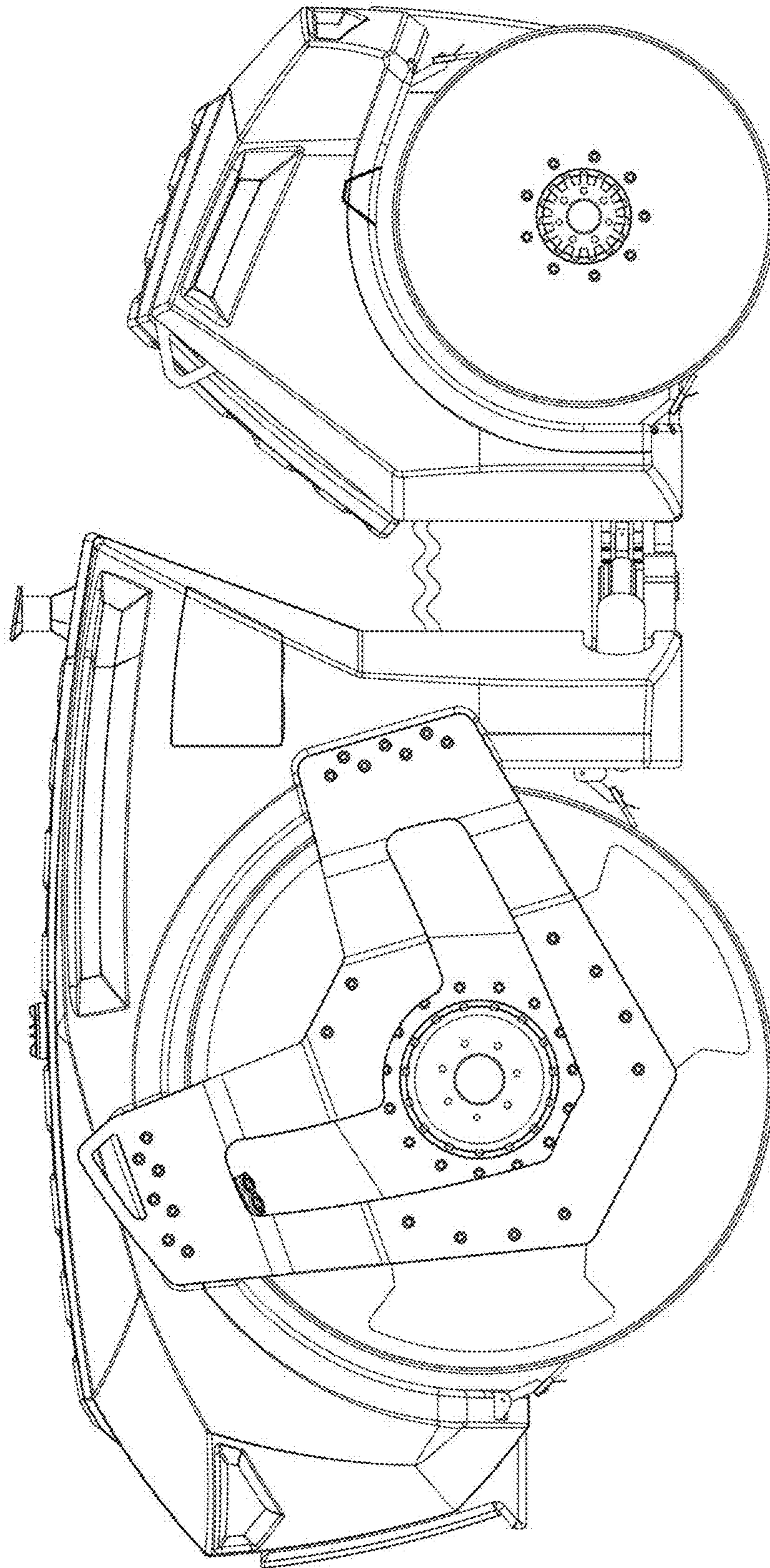


FIG. 2

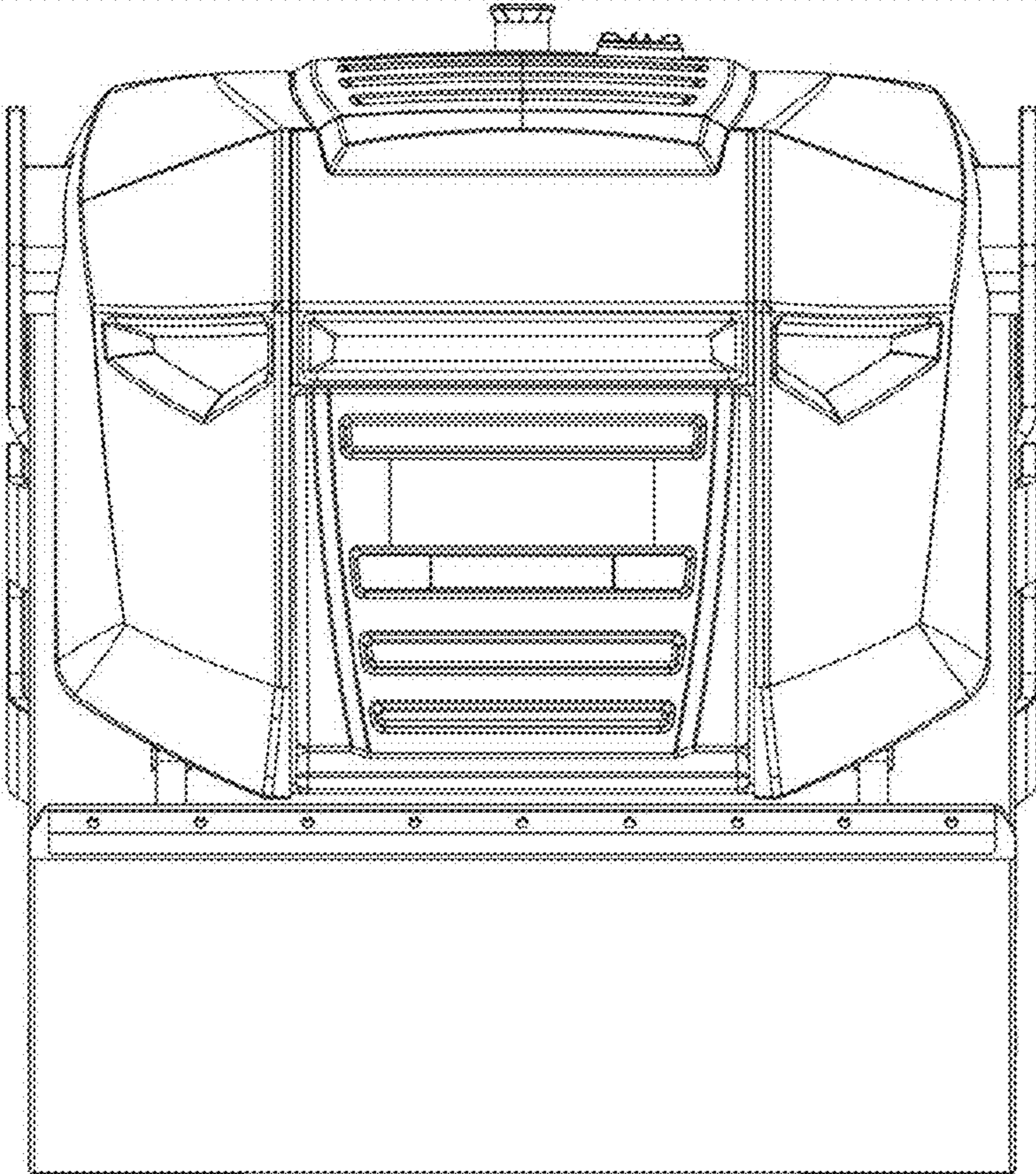


FIG. 3

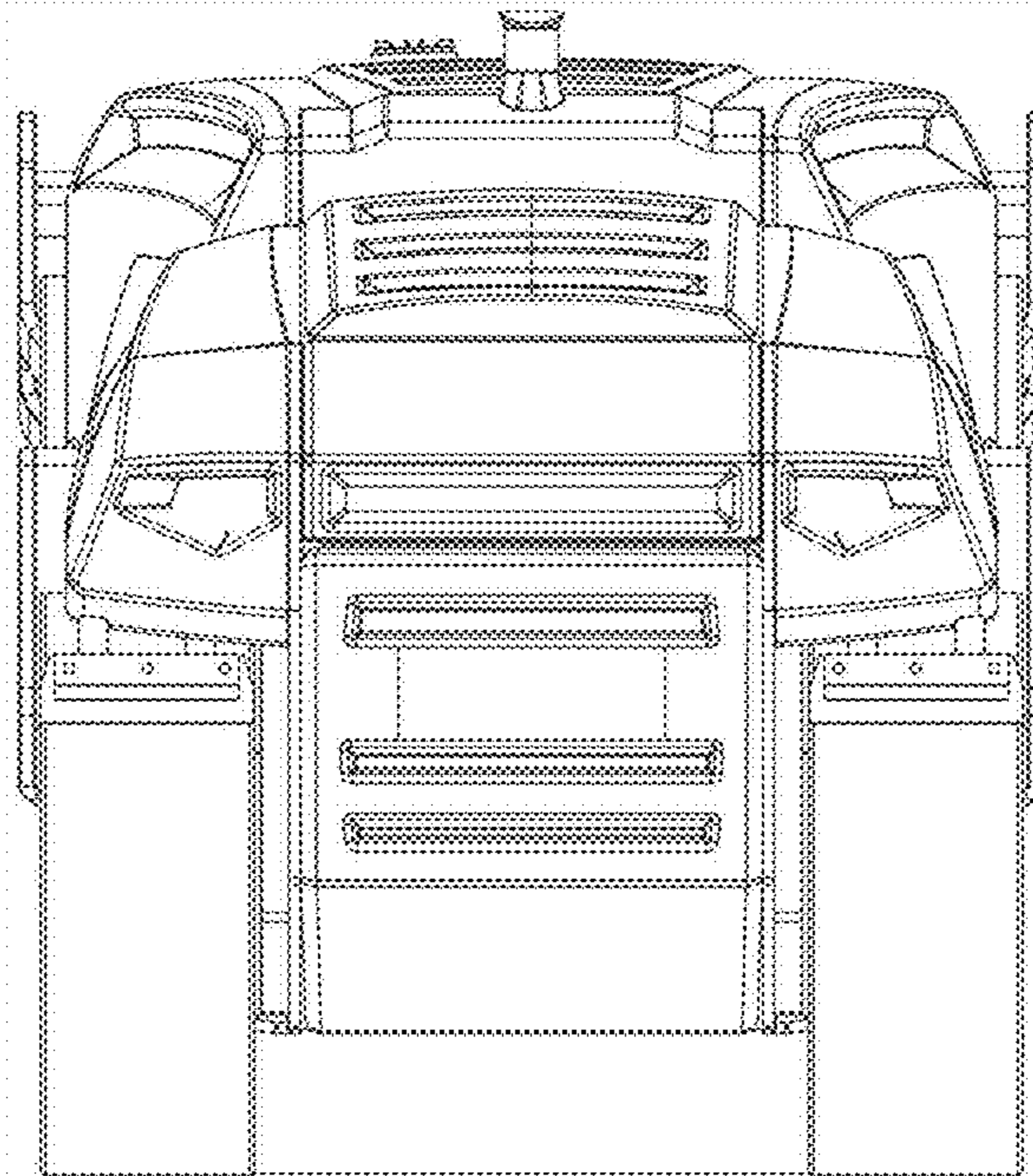


FIG. 4

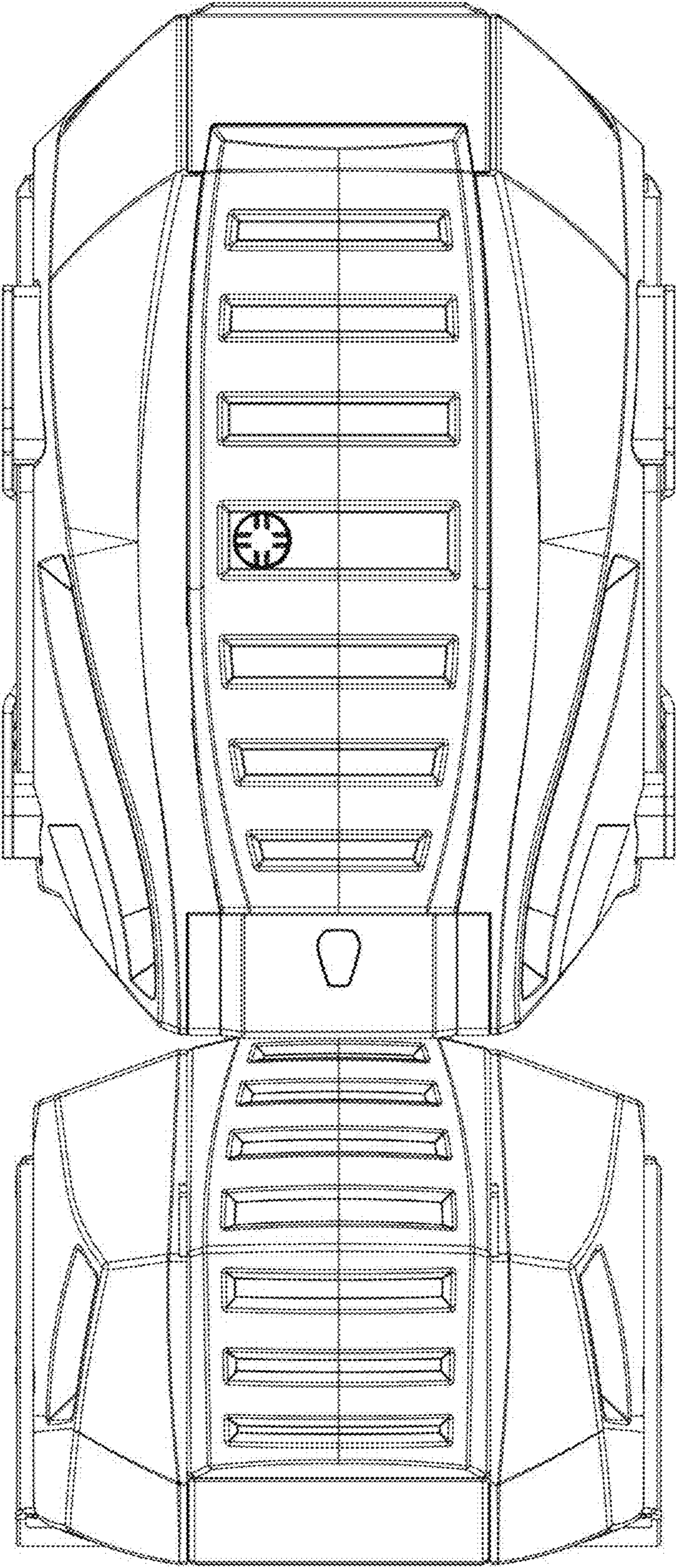


FIG. 5

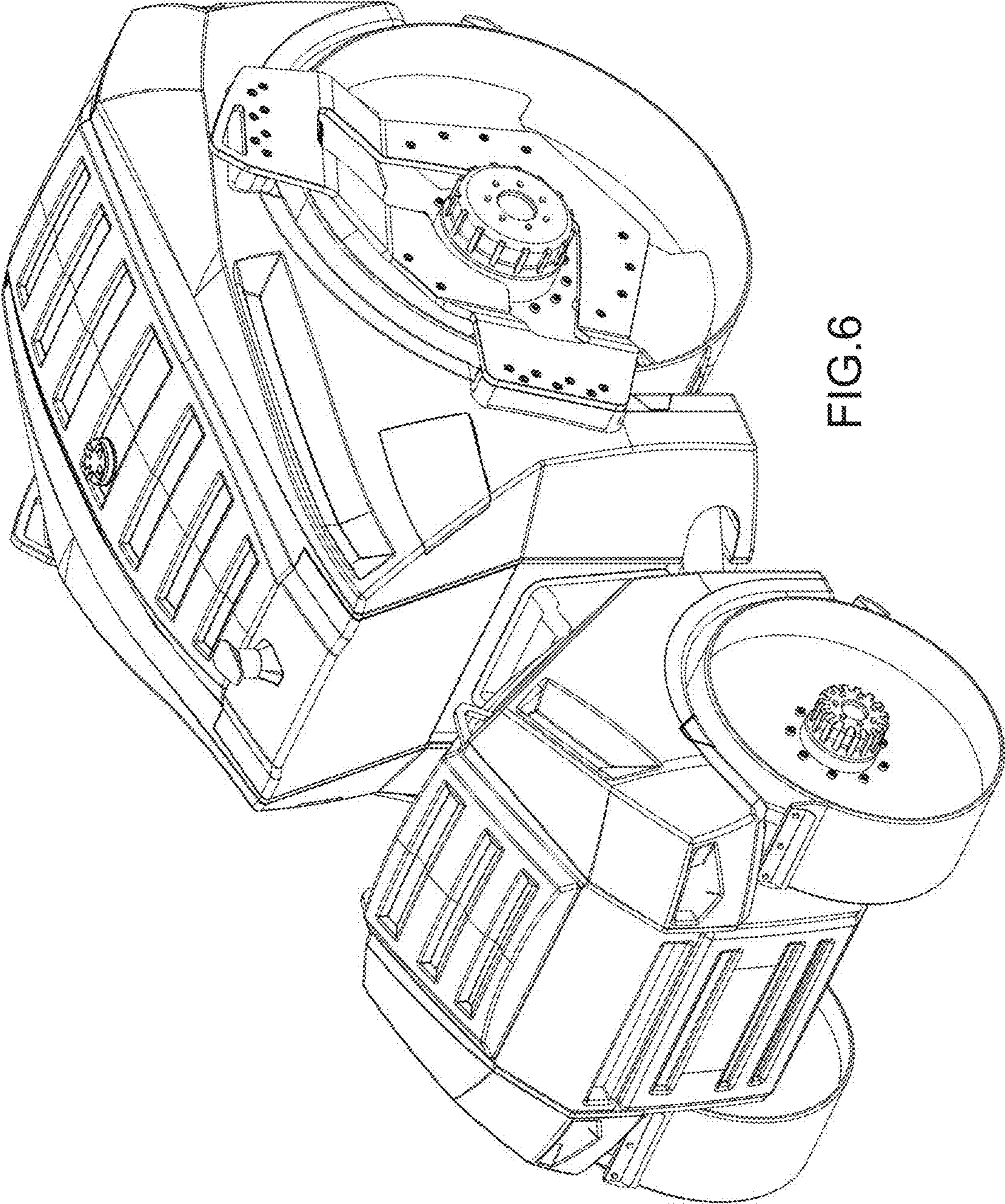


FIG.6

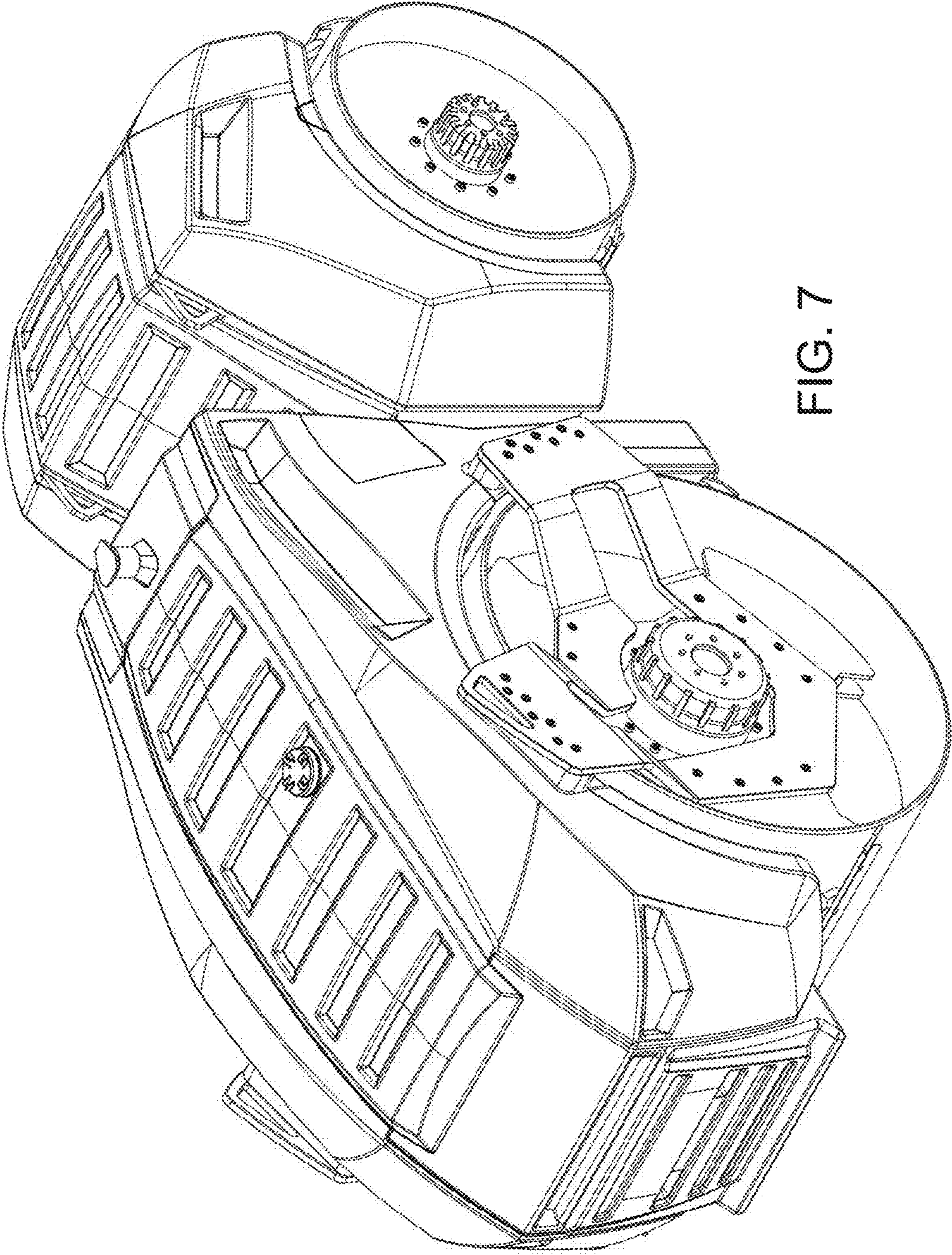


FIG. 7