



US00D799554S

(12) **United States Design Patent**
Peterson

(10) **Patent No.:** **US D799,554 S**

(45) **Date of Patent:** **** Oct. 10, 2017**

(54) **SNOWPLOW BLADE SHOES**

(71) Applicant: **Crystal Steel House, Inc.**, Crystal Falls, MI (US)

(72) Inventor: **Randy Ray Peterson**, Crystal Falls, MI (US)

(73) Assignee: **Crystal Steel House, Inc.**, Crystal Falls, MI (US)

(**) Term: **15 Years**

(21) Appl. No.: **29/594,628**

(22) Filed: **Feb. 21, 2017**

(51) **LOC (10) Cl.** **15-03**

(52) **U.S. Cl.**
USPC **D15/11**

(58) **Field of Classification Search**
USPC D15/11, 17, 21, 28; 37/264, 270
CPC E01H 5/066; E01H 5/067; E01H 5/068;
E01H 5/08; E01H 5/04; E01H 5/06;
E01H 1/00; E01H 1/04
See application file for complete search history.

(56) **References Cited**

U.S. PATENT DOCUMENTS

1,887,451	A *	11/1932	Dombrowski	E01H 5/066 172/387
2,202,309	A *	5/1940	Campbell	B62B 19/00 280/28
2,593,025	A *	4/1952	Hanson	B62B 15/00 280/28
2,611,979	A *	9/1952	Weller	E01H 5/066 280/28
4,709,492	A *	12/1987	Watson	E01H 5/02 172/727
4,756,102	A *	7/1988	Chapman	E01H 1/04 172/719
5,050,322	A *	9/1991	Burkard	E01H 5/068 37/266
5,072,531	A *	12/1991	Pronovost	E01H 5/08 172/393

(Continued)

Primary Examiner — Mark Goodwin

(74) *Attorney, Agent, or Firm* — Marshall, Gerstein & Borun LLP

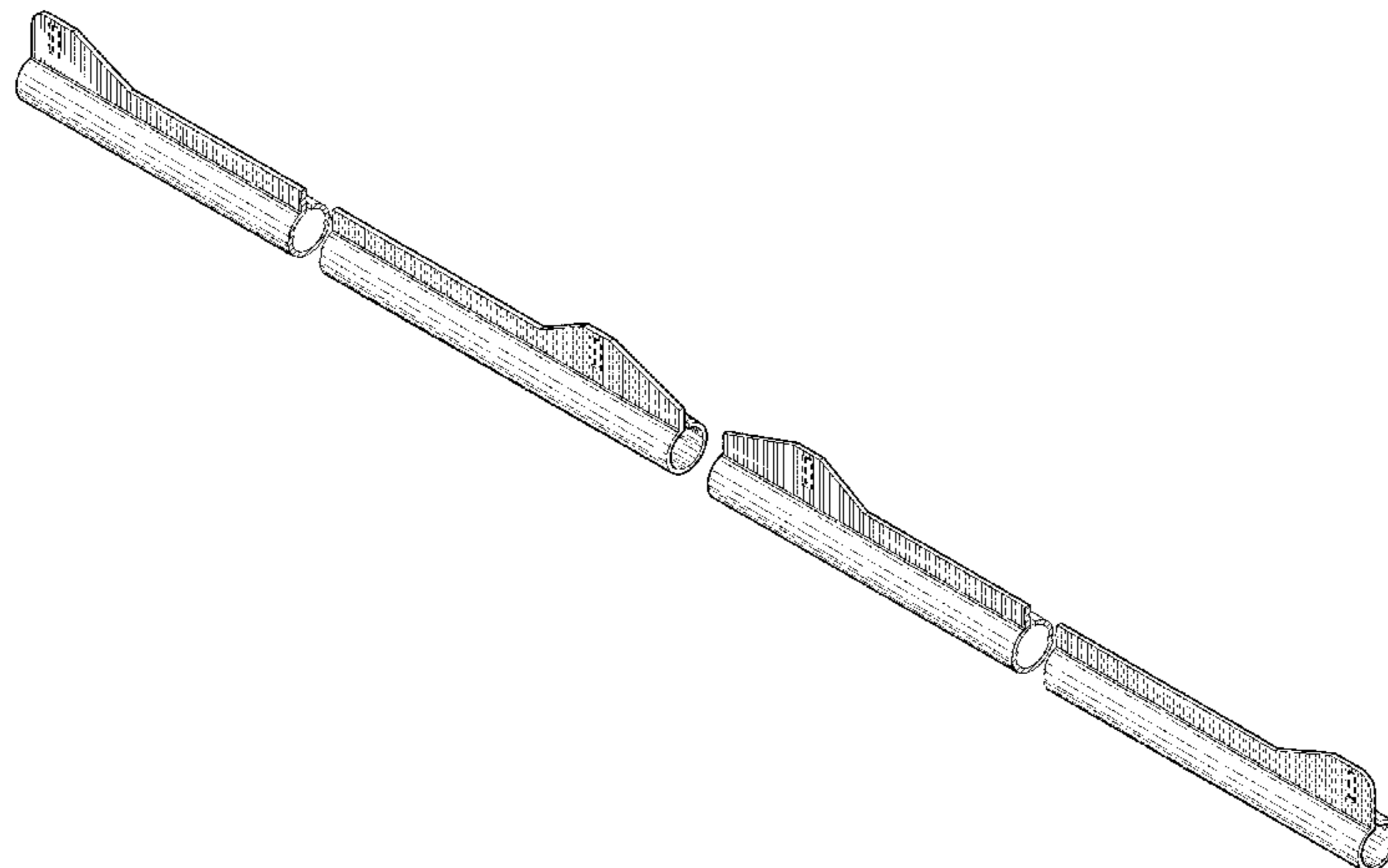
(57) **CLAIM**

The ornamental design for snowplow blade shoes, as shown and described.

DESCRIPTION

FIG. 1 is a front perspective view of a pair of snowplow blade shoes of the present invention;
 FIG. 2 is a front plan view of the invention illustrated in FIG. 1;
 FIG. 3 is a top plan view of the invention illustrated in FIG. 1;
 FIG. 4 is a rear plan view of the invention illustrated in FIG. 1;
 FIG. 5 is a bottom plan view of the invention illustrated in FIG. 1;
 FIG. 6 is a right side view of a first of the snowplow blade shoes of the invention illustrated in FIG. 1, taken in the direction of lines 6-6 of FIG. 2;
 FIG. 7 is a right side view of a second of the snowplow blade shoes of the invention illustrated in FIG. 1, taken in the direction of lines 7-7 of FIG. 2;
 FIG. 8 is a left side view of the first of the snowplow blade shoes of the invention illustrated in FIG. 1, taken in the direction of lines 8-8 of FIG. 4; and,
 FIG. 9 is a left side view of the second of the snowplow blade shoes of the invention illustrated in FIG. 1, taken in the direction of lines 9-9 of FIG. 4.
 The snowplow blade shoes are shown with symbolic break lines in their length. The appearance of any portion of the article between the break lines forms no part of the claimed design.

1 Claim, 4 Drawing Sheets



(56)

References Cited

U.S. PATENT DOCUMENTS

5,806,214 A *	9/1998	Behrens	E01H 5/066	172/274
6,470,604 B1 *	10/2002	Foster	E01H 5/06	37/267
6,860,039 B2 *	3/2005	Schultz	E01H 5/06	172/273
7,146,754 B2 *	12/2006	Schultz	E01H 5/06	37/231
8,763,281 B2 *	7/2014	Coulombe	E01H 5/065	37/266
2004/0006894 A1 *	1/2004	Schultz	E01H 5/06	37/231
2005/0150140 A1 *	7/2005	Schultz	E01H 5/063	37/270
2005/0178029 A1 *	8/2005	Wightman	E01H 5/061	37/232
2006/0288617 A1 *	12/2006	Colclough	E01H 5/066	37/264
2007/0137070 A1 *	6/2007	Dejana	E01H 5/06	37/231
2007/0245600 A1 *	10/2007	Hamel	E01H 5/061	37/266
2007/0271828 A1 *	11/2007	Mishra	E01H 5/06	37/231
2012/0017473 A1 *	1/2012	Paonessa	E01H 5/06	37/233
2012/0074662 A1 *	3/2012	Sayre	E01H 5/098	280/28.17
2012/0186111 A1 *	7/2012	Coulombe	E01H 5/066	37/266
2013/0104337 A1 *	5/2013	Nabb	B60B 33/0026	16/30
2013/0276335 A1 *	10/2013	Hansen	E01H 5/065	37/266
2014/0366406 A1 *	12/2014	Guggino	E01H 5/066	37/270
2015/0135561 A1 *	5/2015	Henning	E01H 5/066	37/448
2016/0010314 A1 *	1/2016	Kassander	E02F 3/8152	37/453
2016/0069032 A1 *	3/2016	Winter	E01H 5/061	37/270

* cited by examiner

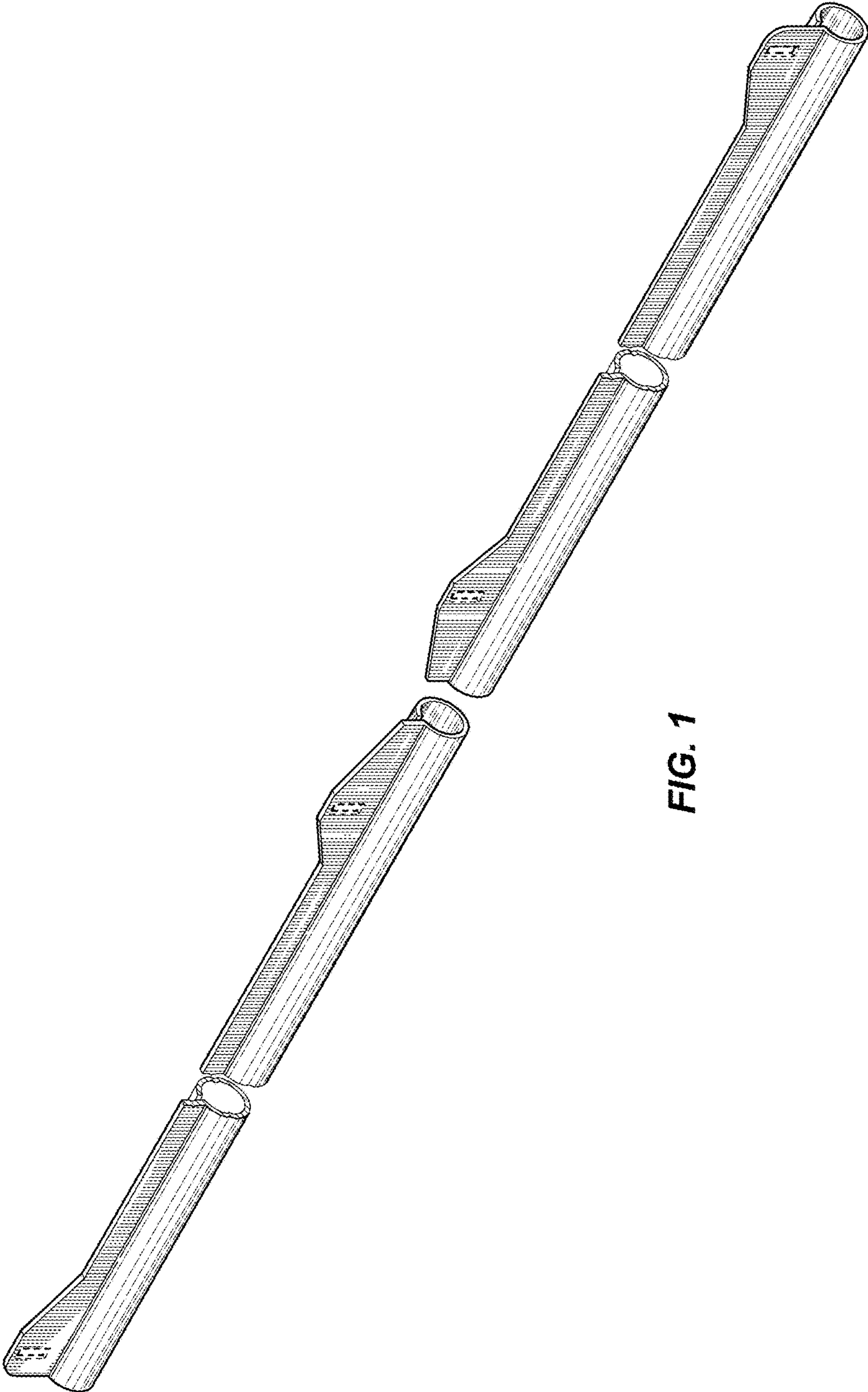


FIG. 1

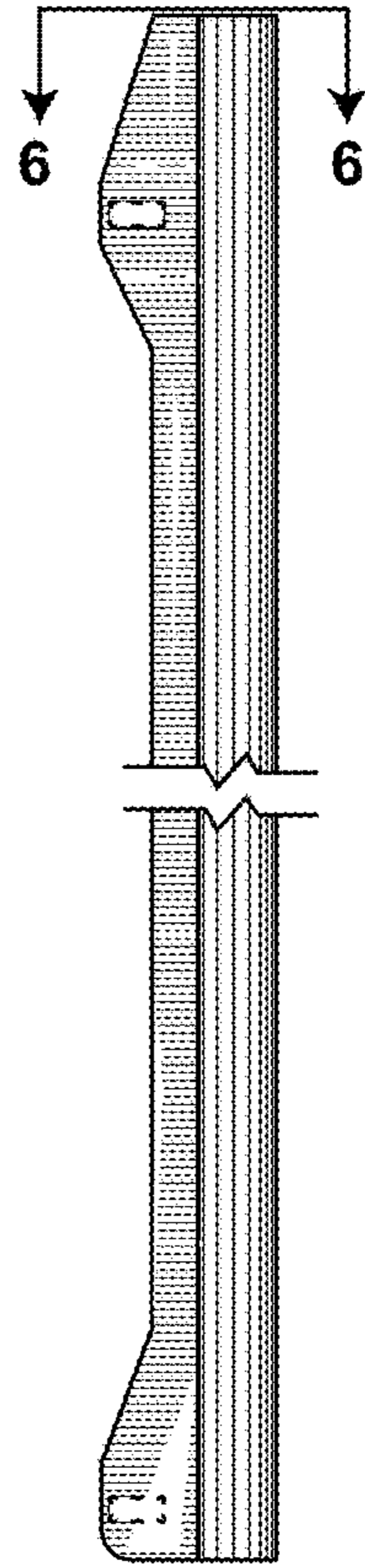


FIG. 2

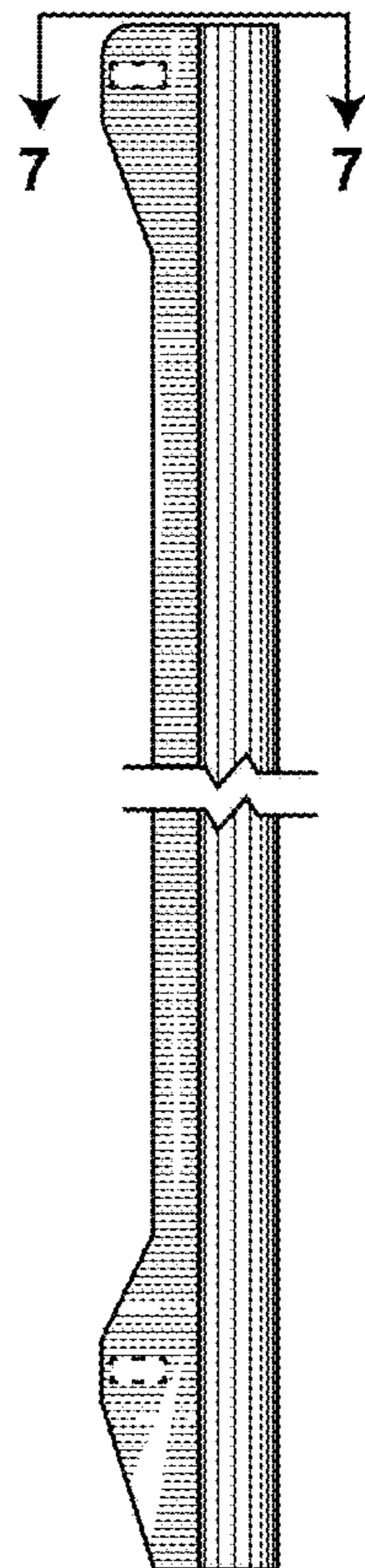


FIG. 3

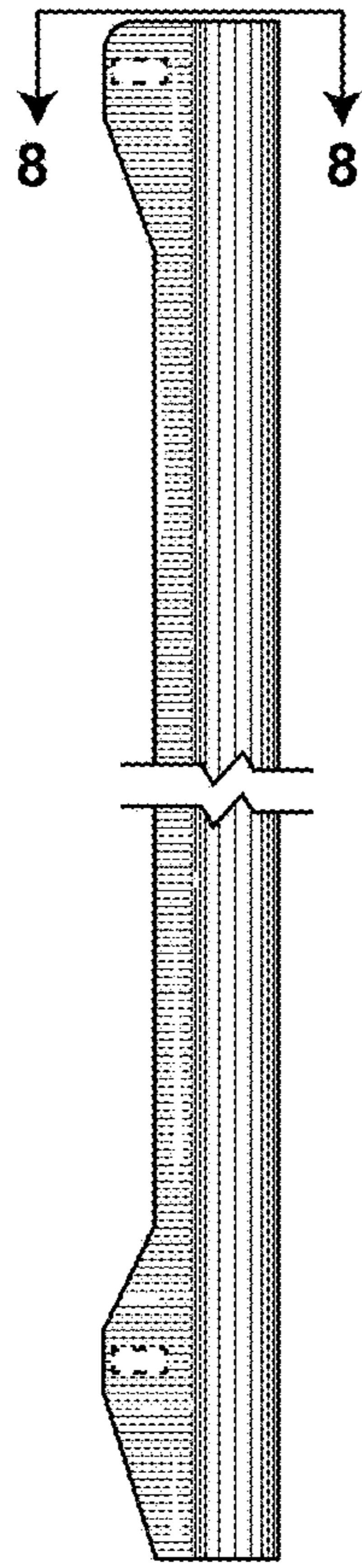


FIG. 4

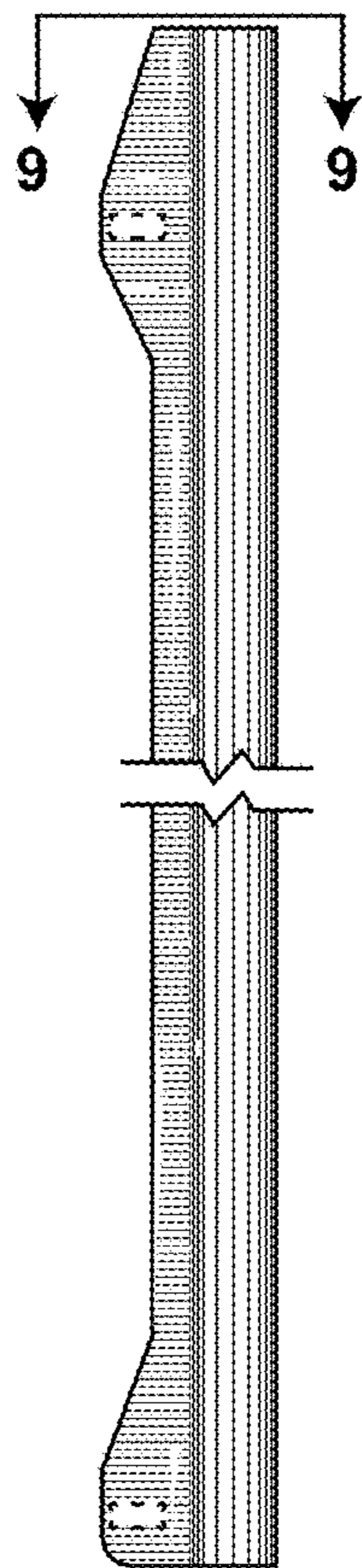


FIG. 5

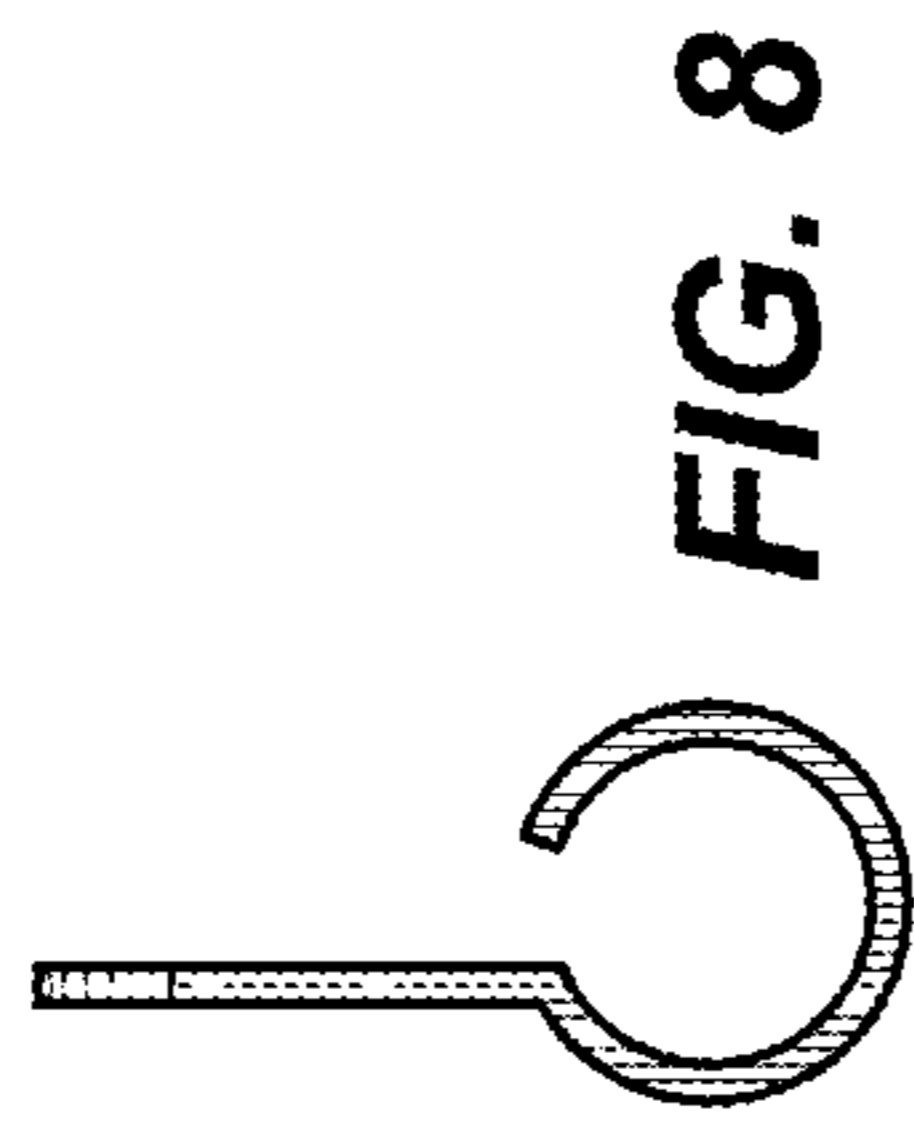


FIG. 8

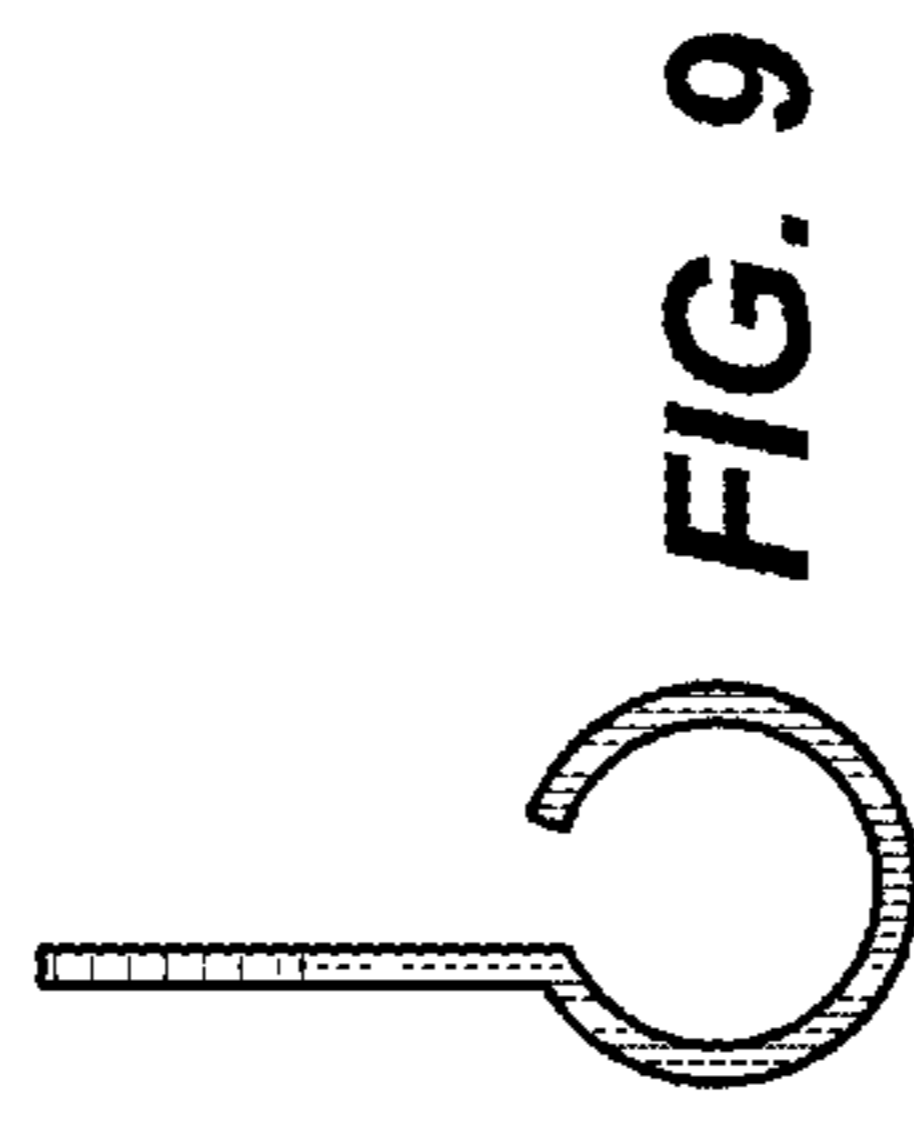


FIG. 9

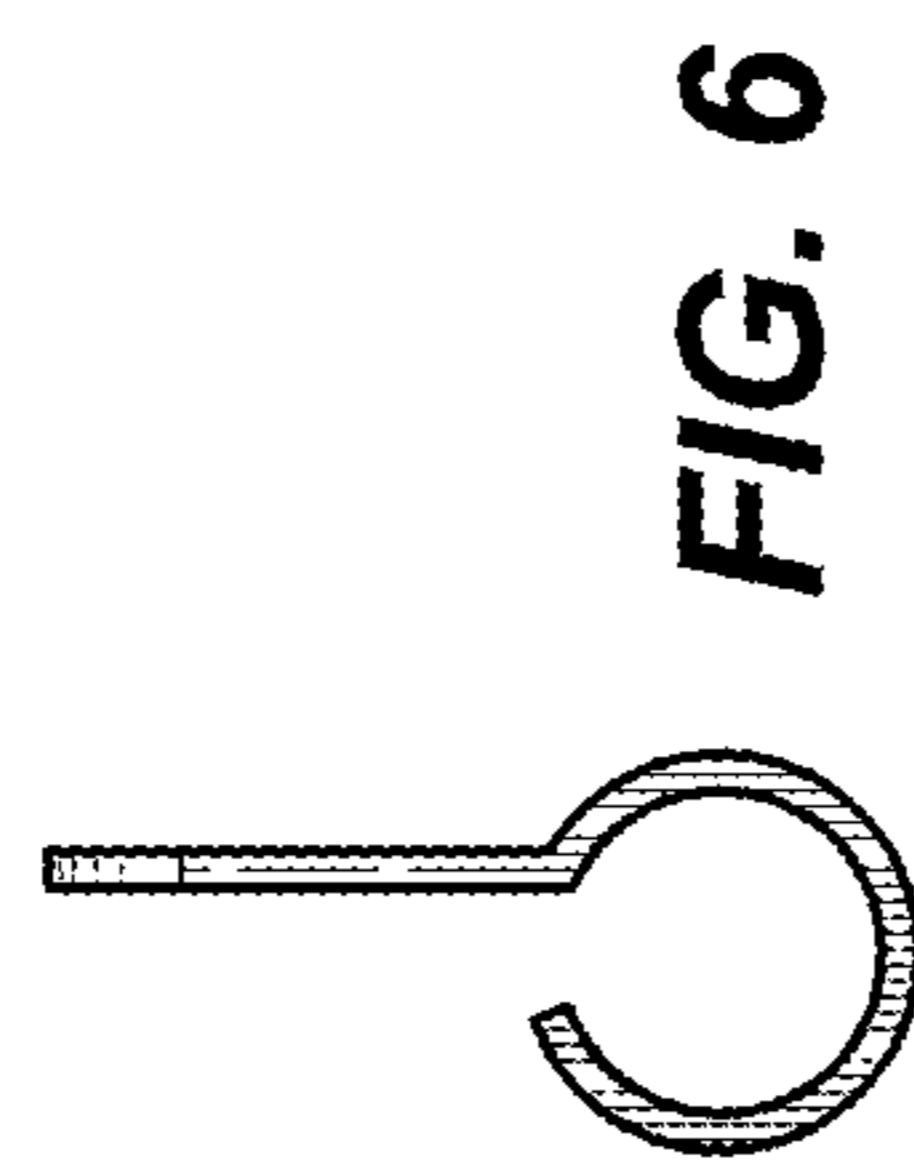


FIG. 6

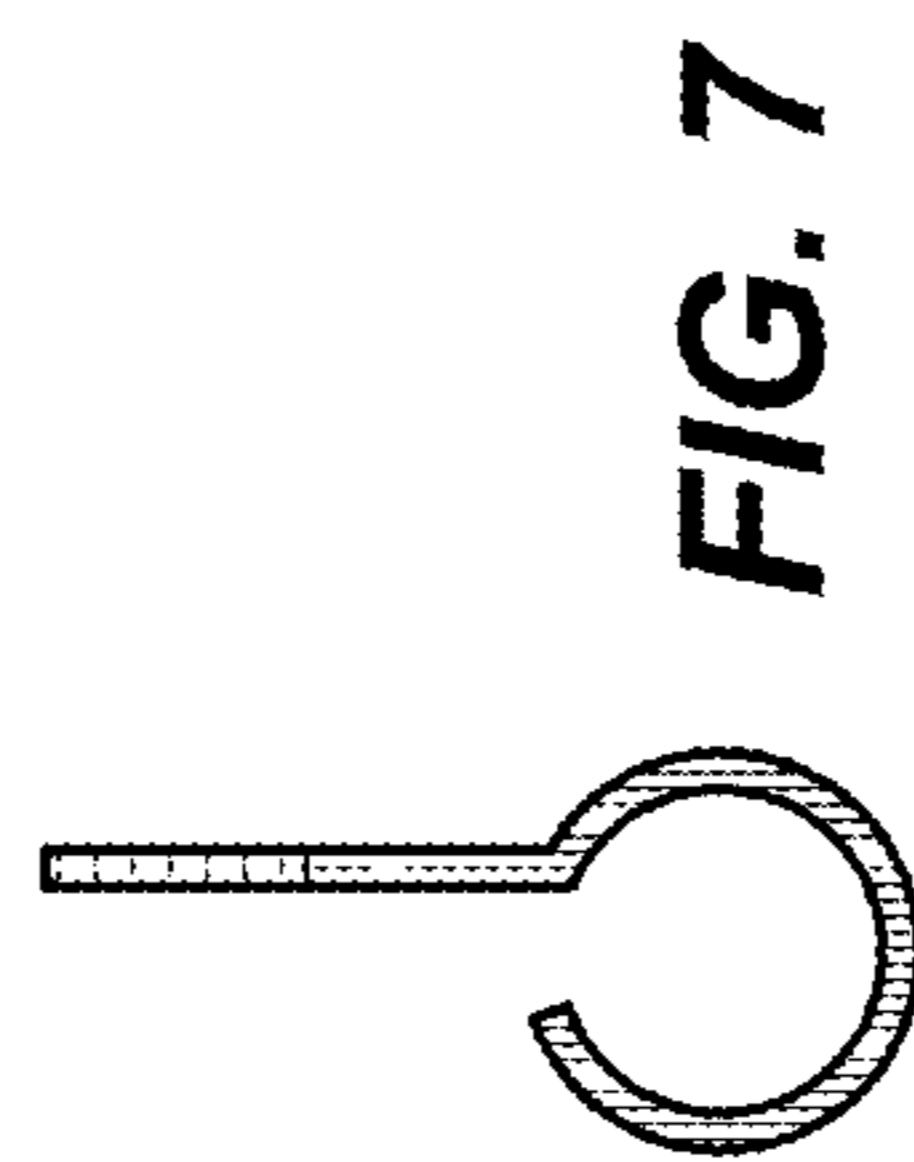


FIG. 7