



US00D799544S

(12) **United States Design Patent**
Kim et al.

(10) **Patent No.:** **US D799,544 S**

(45) **Date of Patent:** **** Oct. 10, 2017**

(54) **DISPLAY SCREEN OR PORTION THEREOF WITH ANIMATED GRAPHICAL USER INTERFACE**

(71) Applicant: **Samsung Electronics Co., Ltd.**,
Suwon-si (KR)

(72) Inventors: **Jae-Jeong Kim**, Seoul (KR); **So-Young Yun**, Seoul (KR)

(73) Assignee: **Samsung Electronics Co., Ltd.**,
Suwon-si (KR)

(**) Term: **15 Years**

(21) Appl. No.: **29/562,471**

(22) Filed: **Apr. 26, 2016**

(30) **Foreign Application Priority Data**

Dec. 23, 2015 (KR) 30-2015-0066031

(51) **LOC (10) Cl.** **14-04**

(52) **U.S. Cl.**
USPC **D14/492**

(58) **Field of Classification Search**
USPC D14/485–495
CPC .. G06F 3/0481; G06F 3/04817; G06F 3/0482;
G06F 3/0488; G06F 3/04883
See application file for complete search history.

(56) **References Cited**

U.S. PATENT DOCUMENTS

5,426,580 A * 6/1995 Yoshida A21B 7/005
700/14
D602,041 S * 10/2009 Kaczmarek D14/492
D647,916 S * 11/2011 Kaczmarek D14/491

(Continued)

FOREIGN PATENT DOCUMENTS

EM 000620869-0002 12/2006
KR 30-2014-005569 9/2015

OTHER PUBLICATIONS

Electric oven function & control symbols, published May 6, 2016, colourbox.com [online], [retrieved Jun. 27, 2016]. Available from internet <URL:https://www.colourbox.com/vector/electric-oven-function-control-symbols-vector-17996699>.*

(Continued)

Primary Examiner — Cathron Brooks

Assistant Examiner — Andrew Nemeth

(74) *Attorney, Agent, or Firm* — NSIP Law

(57) **CLAIM**

We claim the ornamental design for a display screen or portion thereof with animated graphical user interface, as shown and described.

DESCRIPTION

FIG. 1 is a first image in a sequence for a display screen or portion thereof with animated graphical user interface showing our new design;

FIG. 2 is the second image thereof;

FIG. 3 is the third image thereof;

FIG. 4 is the fourth image thereof;

FIG. 5 is the fifth image thereof;

FIG. 6 is the sixth image thereof;

FIG. 7 is the seventh image thereof;

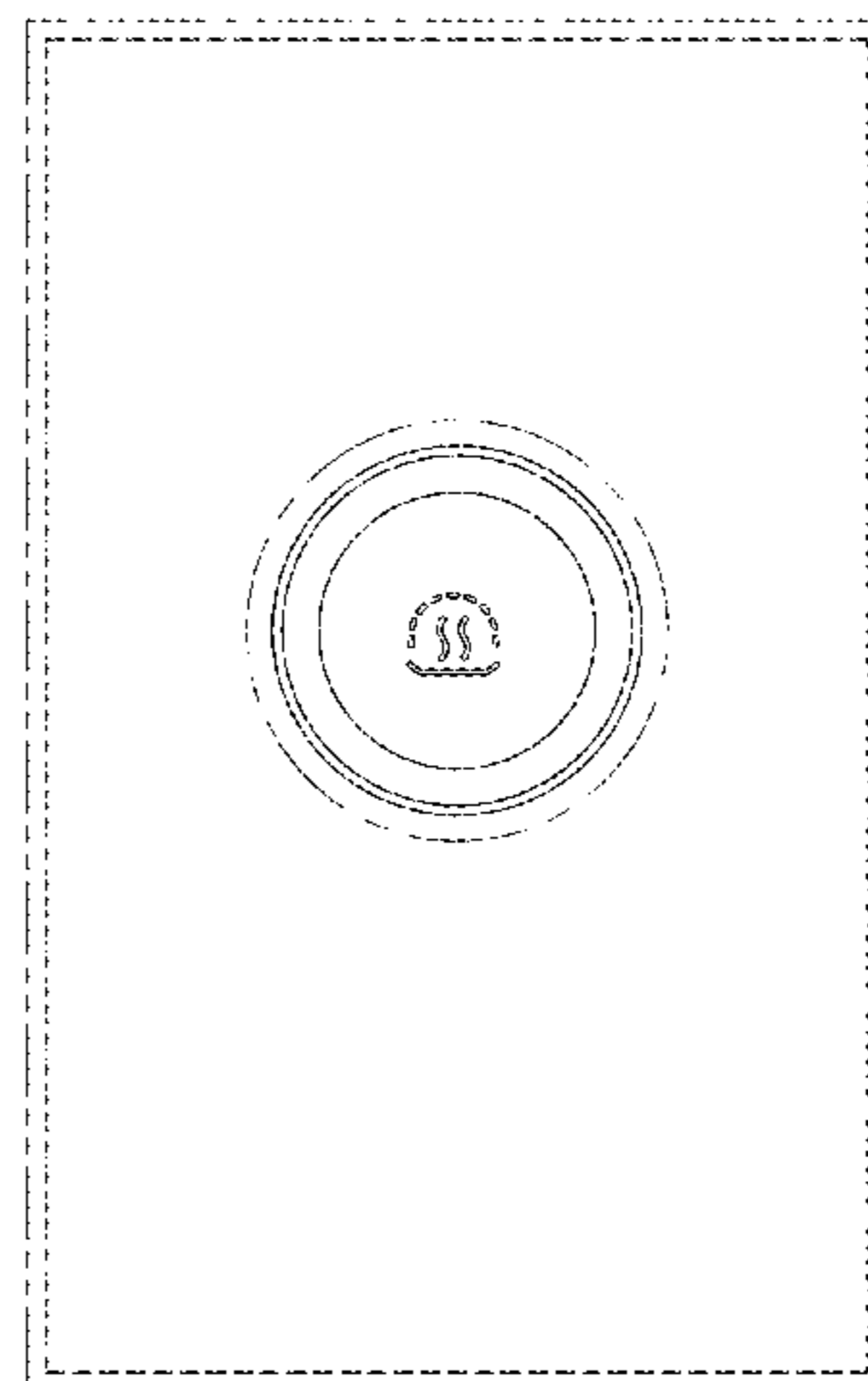
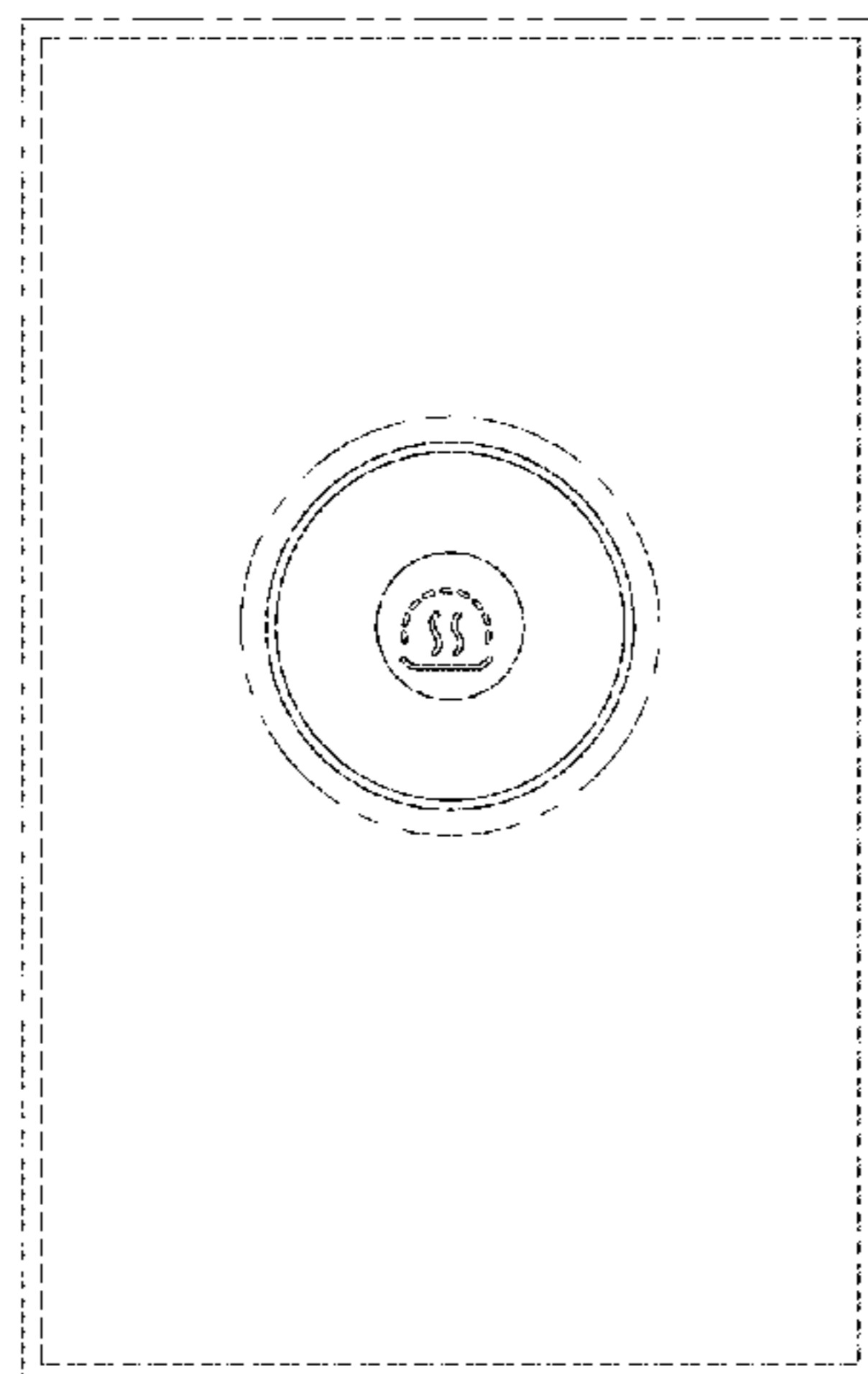
FIG. 8 is the eighth image thereof; and,

FIG. 9 is the ninth image thereof.

The evenly spaced broken lines illustrate portions of the graphical user interface. The dot-dot-dash broken lines illustrate a display screen or portion thereof. The dot-dash broken lines illustrate a boundary line. None of the broken lines form part of the claimed design.

The appearance of the animated user interface sequentially transitions between the images shown in FIGS. 1-9. The process or period in which one image transitions to another forms no part of the claimed design.

1 Claim, 9 Drawing Sheets



(56)

References Cited

U.S. PATENT DOCUMENTS

| | | | | | |
|----------|---|---|---------|------------------|---------|
| D661,705 | S | * | 6/2012 | Kaczmarek | D14/489 |
| D667,423 | S | * | 9/2012 | Nagamine | D14/488 |
| D726,221 | S | * | 4/2015 | Gomez | D14/492 |
| D742,918 | S | * | 11/2015 | Alterman | D14/492 |
| D752,061 | S | * | 3/2016 | Ahn | D14/485 |
| D753,132 | S | * | 4/2016 | Cuthbert | D14/485 |
| D756,401 | S | * | 5/2016 | Soldner | D14/488 |
| D760,786 | S | * | 7/2016 | Lee | D14/492 |
| D761,277 | S | * | 7/2016 | Harvell | D14/485 |
| D761,856 | S | * | 7/2016 | Lee | D14/491 |
| D762,655 | S | * | 8/2016 | Kai | D14/485 |
| D762,715 | S | * | 8/2016 | Williamson | D14/488 |
| D763,868 | S | * | 8/2016 | Lee | D14/485 |
| D763,870 | S | * | 8/2016 | Kim | D14/485 |
| D764,497 | S | * | 8/2016 | Seo | D14/485 |
| D765,674 | S | * | 9/2016 | Kim | D14/485 |
| D765,678 | S | * | 9/2016 | Goux | D14/485 |
| D769,933 | S | * | 10/2016 | Sabia | D14/488 |
| D772,294 | S | * | 11/2016 | Lee | D14/492 |
| D776,680 | S | * | 1/2017 | Bae | D14/485 |
| D778,317 | S | * | 2/2017 | Lee | D14/492 |
| D783,633 | S | * | 4/2017 | Oh | D14/485 |
| D784,363 | S | * | 4/2017 | Fleming | D14/485 |

OTHER PUBLICATIONS

Okazu "Connect to WHILL" [2015] www.dribbble.com Apr. 22, 2015 <<https://dribbble.com/shots/2030272-Connect-to-WHILL>>.

* cited by examiner

FIG. 1

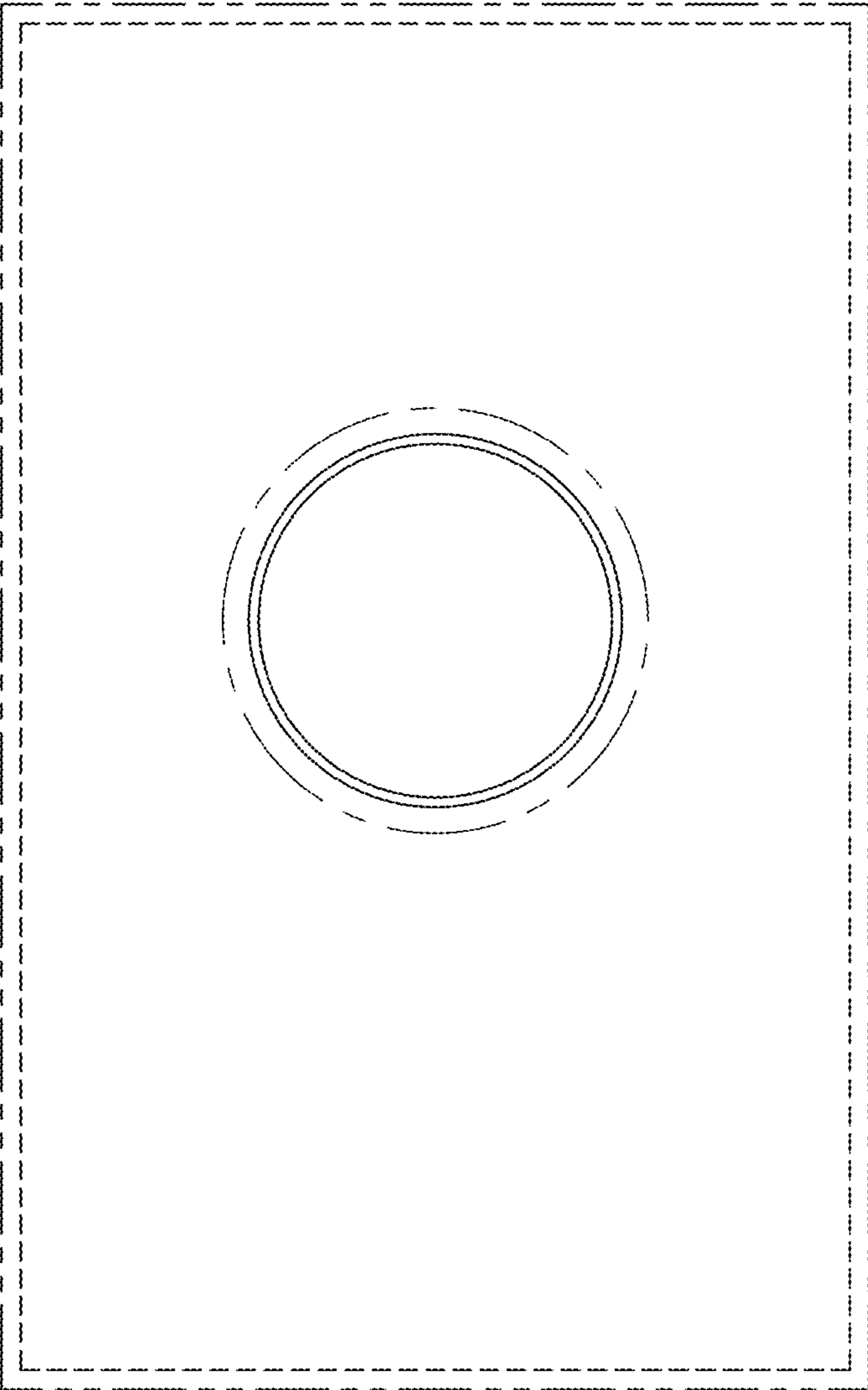


FIG. 2

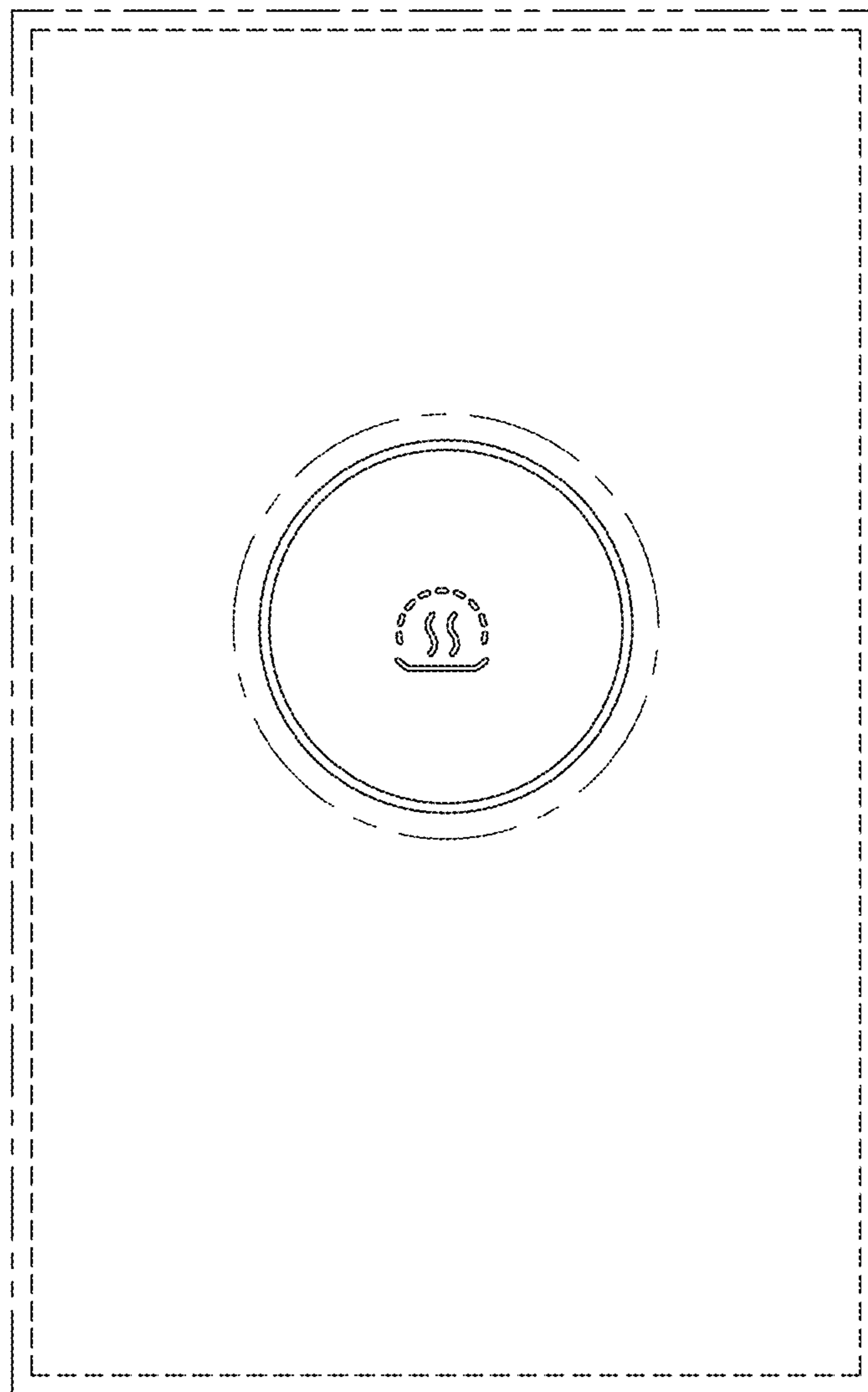


FIG. 3

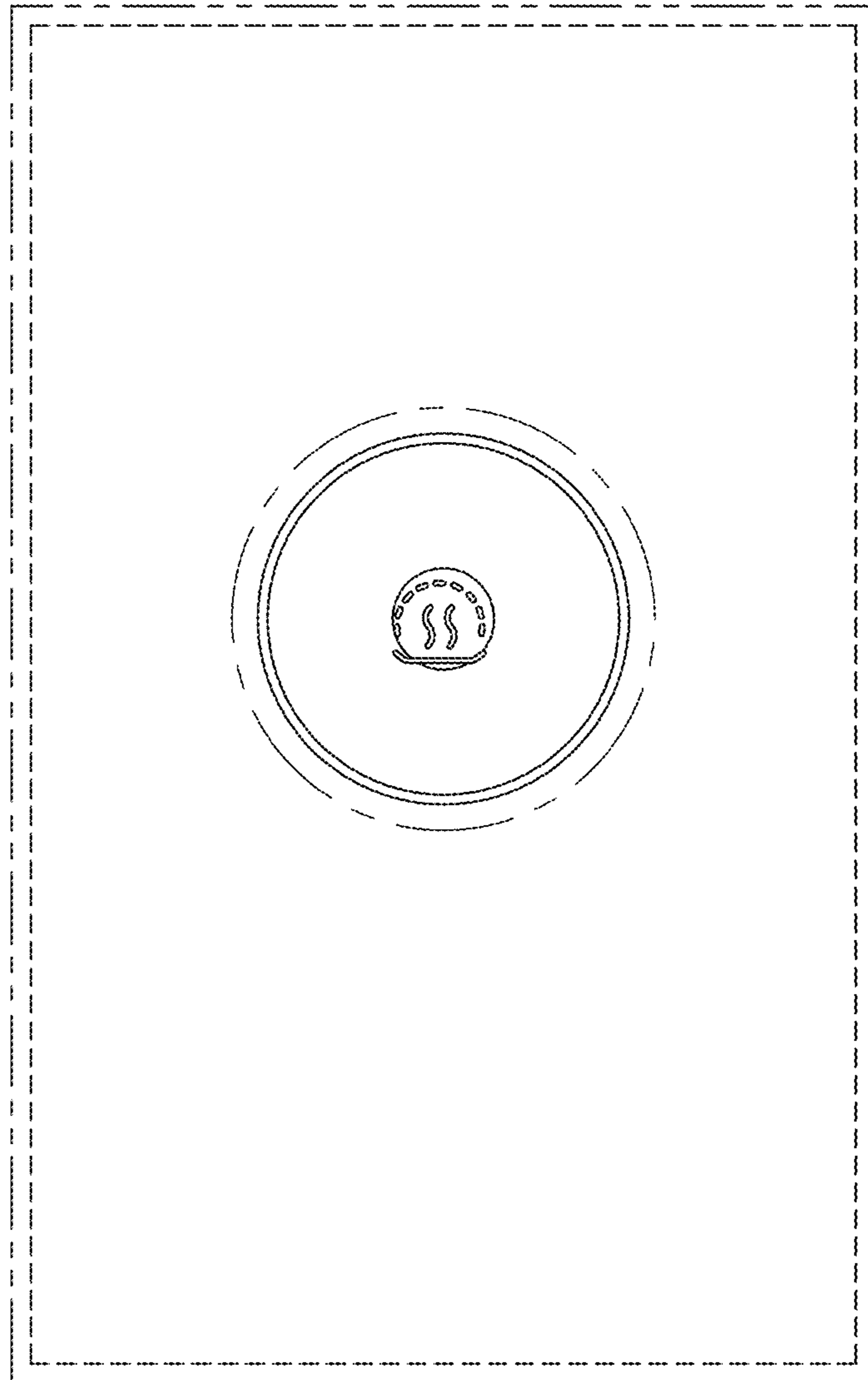


FIG. 4

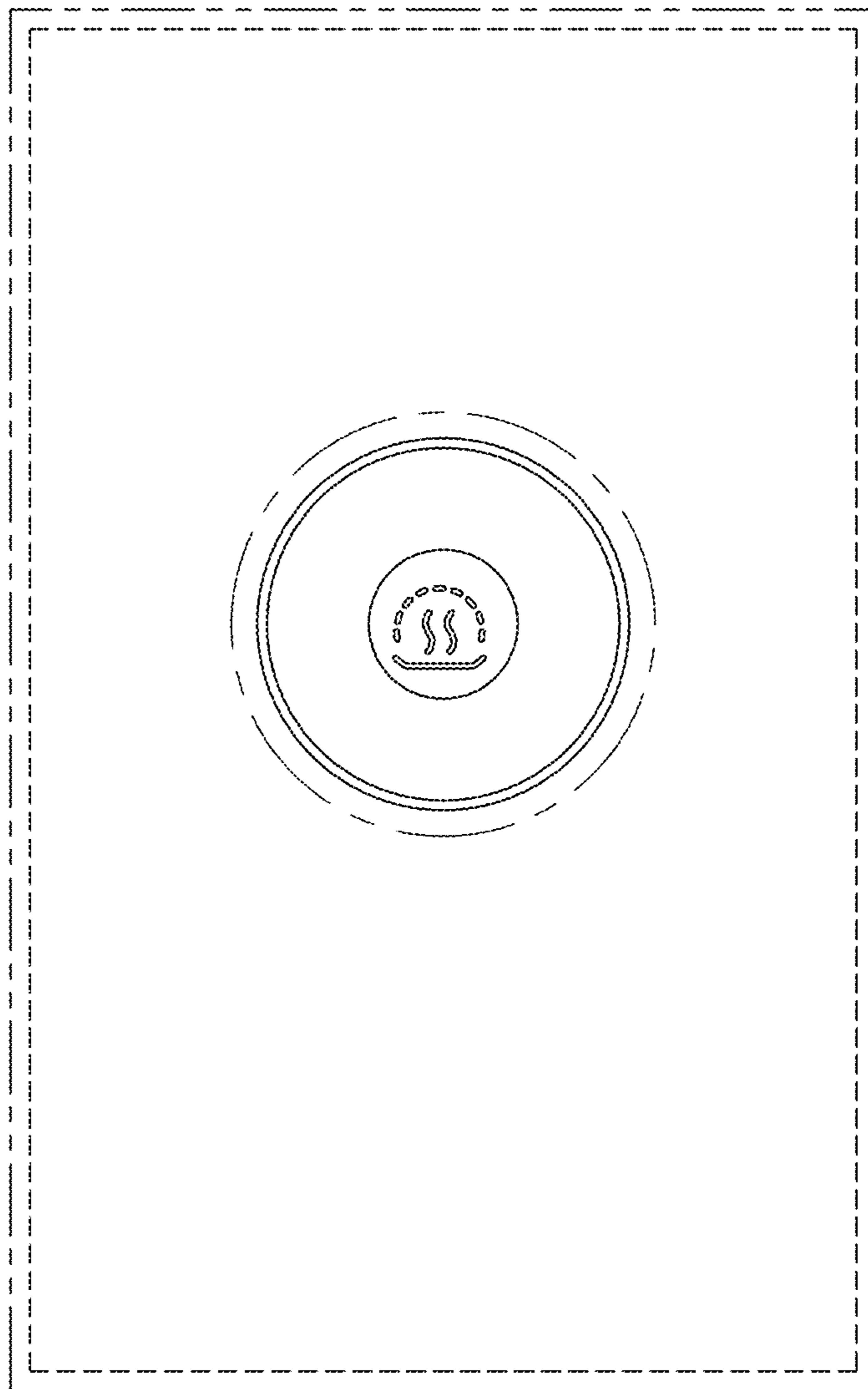


FIG. 5

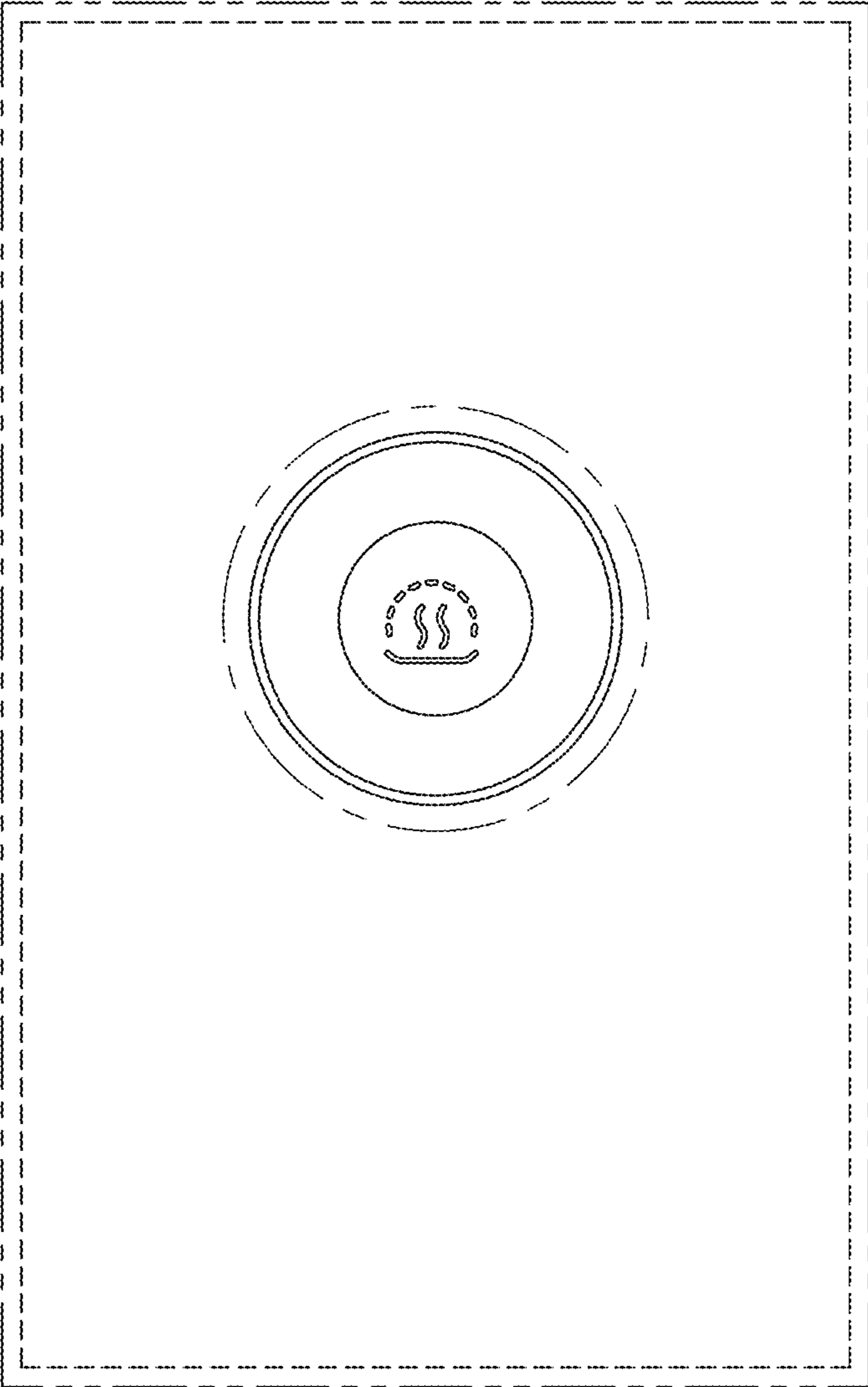


FIG. 6

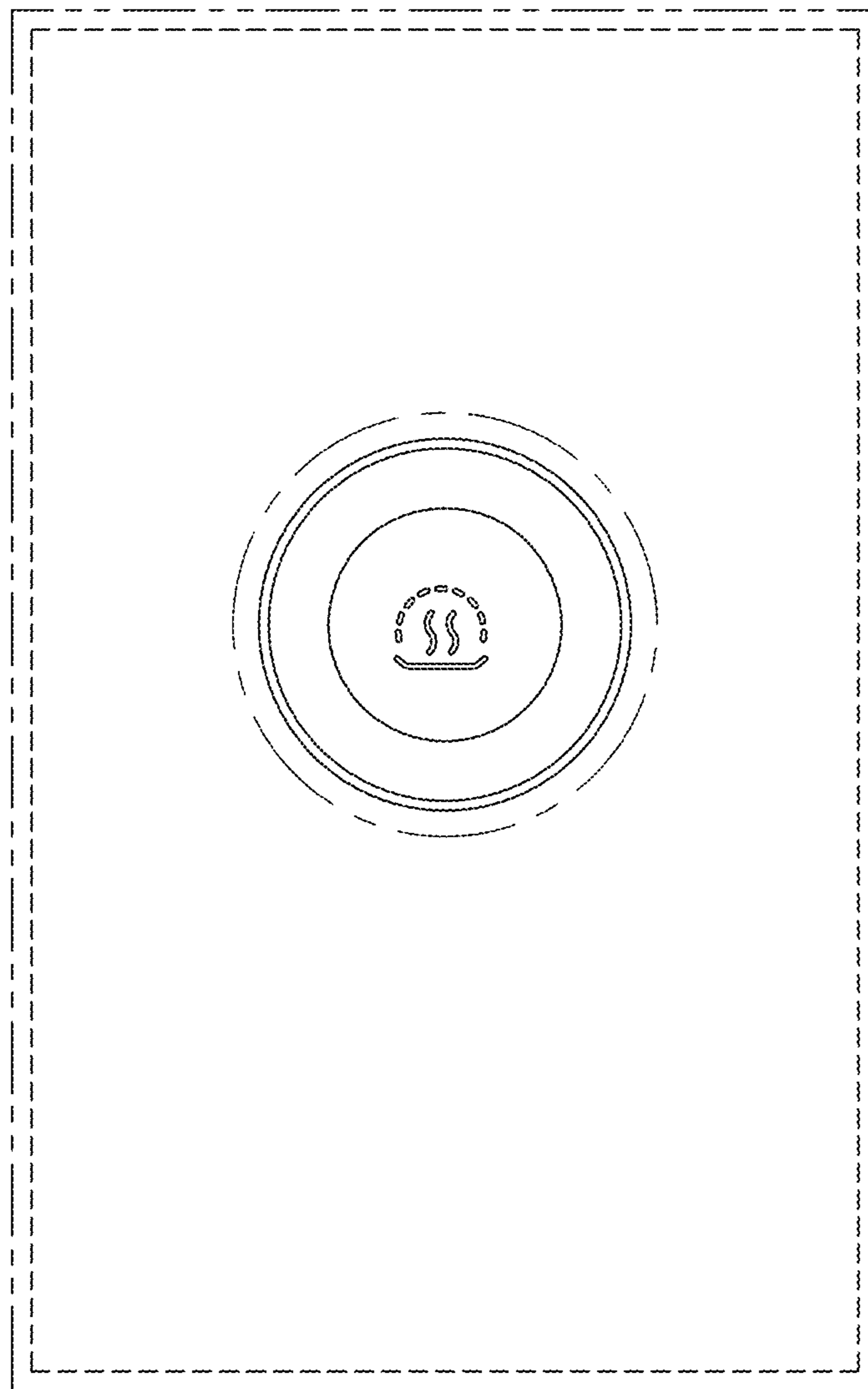


FIG. 7

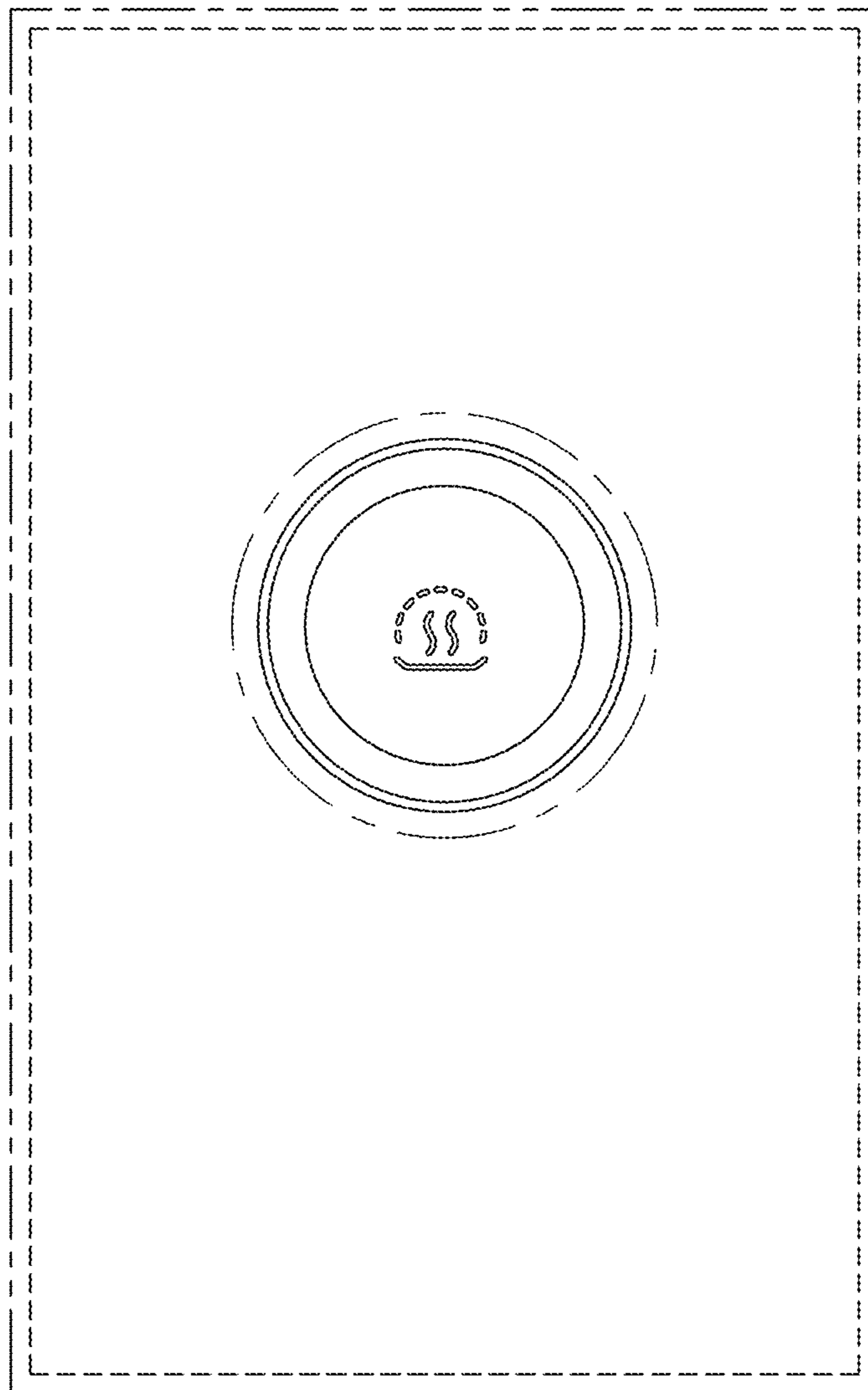


FIG. 8

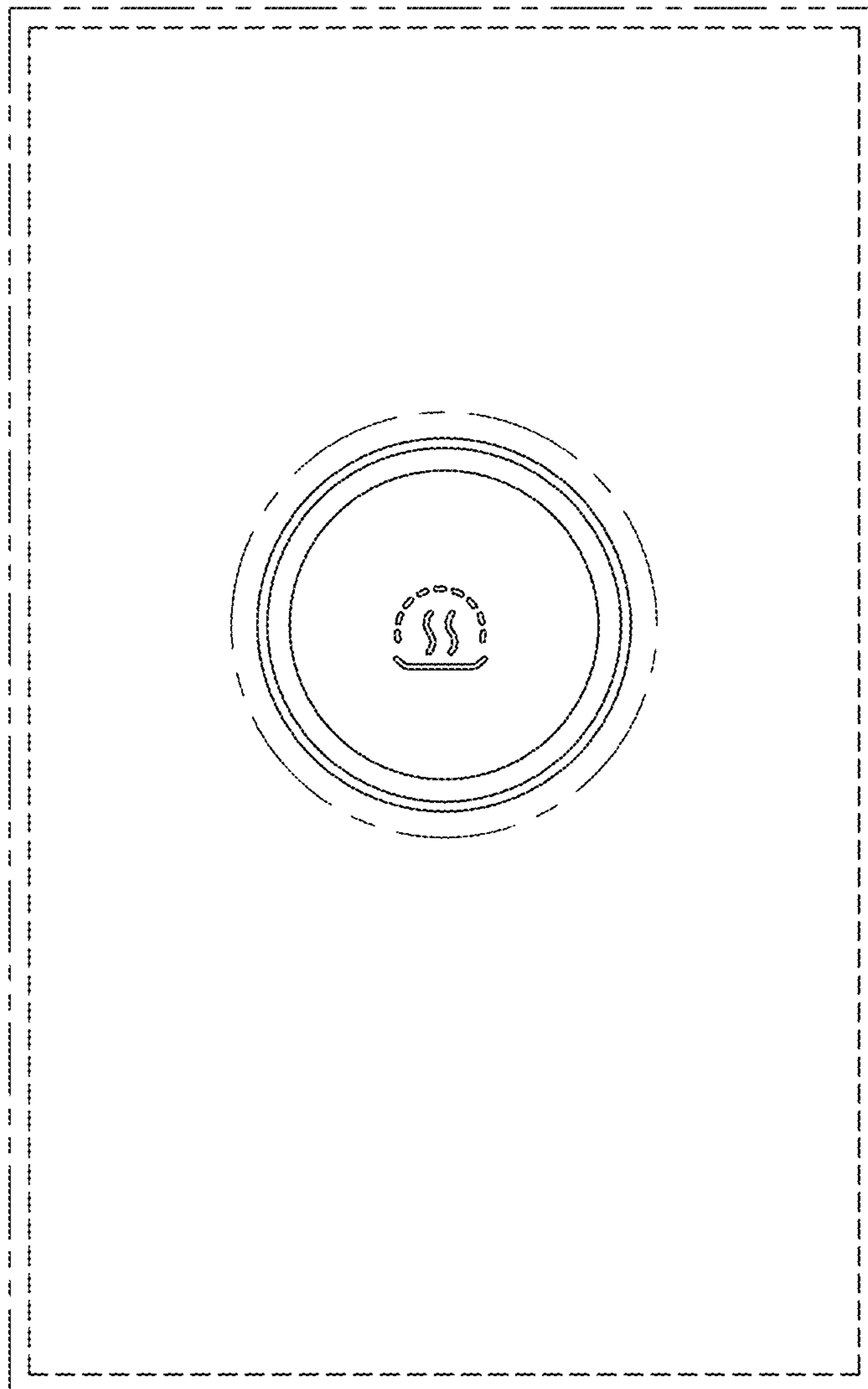


FIG. 9

