



US00D799498S

(12) **United States Design Patent**  
**Graham et al.**

(10) **Patent No.:** **US D799,498 S**

(45) **Date of Patent:** **\*\* Oct. 10, 2017**

(54) **PORTION OF DISPLAY SCREEN WITH GRAPHICAL USER INTERFACE**

D751,101 S \* 3/2016 Ito ..... D14/486  
D752,618 S \* 3/2016 Lee ..... D14/486  
D755,240 S \* 5/2016 Cavander ..... D14/494

(Continued)

(71) Applicant: **RICOH COMPANY, LTD.**, Tokyo (JP)

*Primary Examiner* — Eric Goodman

(72) Inventors: **Jamey Graham**, San Jose, CA (US);  
**Daniel Van Olst**, San Francisco, CA (US)

*Assistant Examiner* — Rachel Voorhies

(74) *Attorney, Agent, or Firm* — Blank Rome LLP

(73) Assignee: **RICOH COMPANY, LTD.**, Tokyo (JP)

(57) **CLAIM**

(\*\*) Term: **14 Years**

The ornamental design for portion of display screen with graphical user interface, as shown and described.

(21) Appl. No.: **29/515,009**

**DESCRIPTION**

(22) Filed: **Jan. 20, 2015**

(51) **LOC (10) Cl.** ..... **14-04**

(52) **U.S. Cl.**  
USPC ..... **D14/485**

(58) **Field of Classification Search**  
USPC ..... D14/485–495  
CPC ..... G06F 3/0416; G06F 3/048; G06Q 40/10;  
H04N 2201/0084

See application file for complete search history.

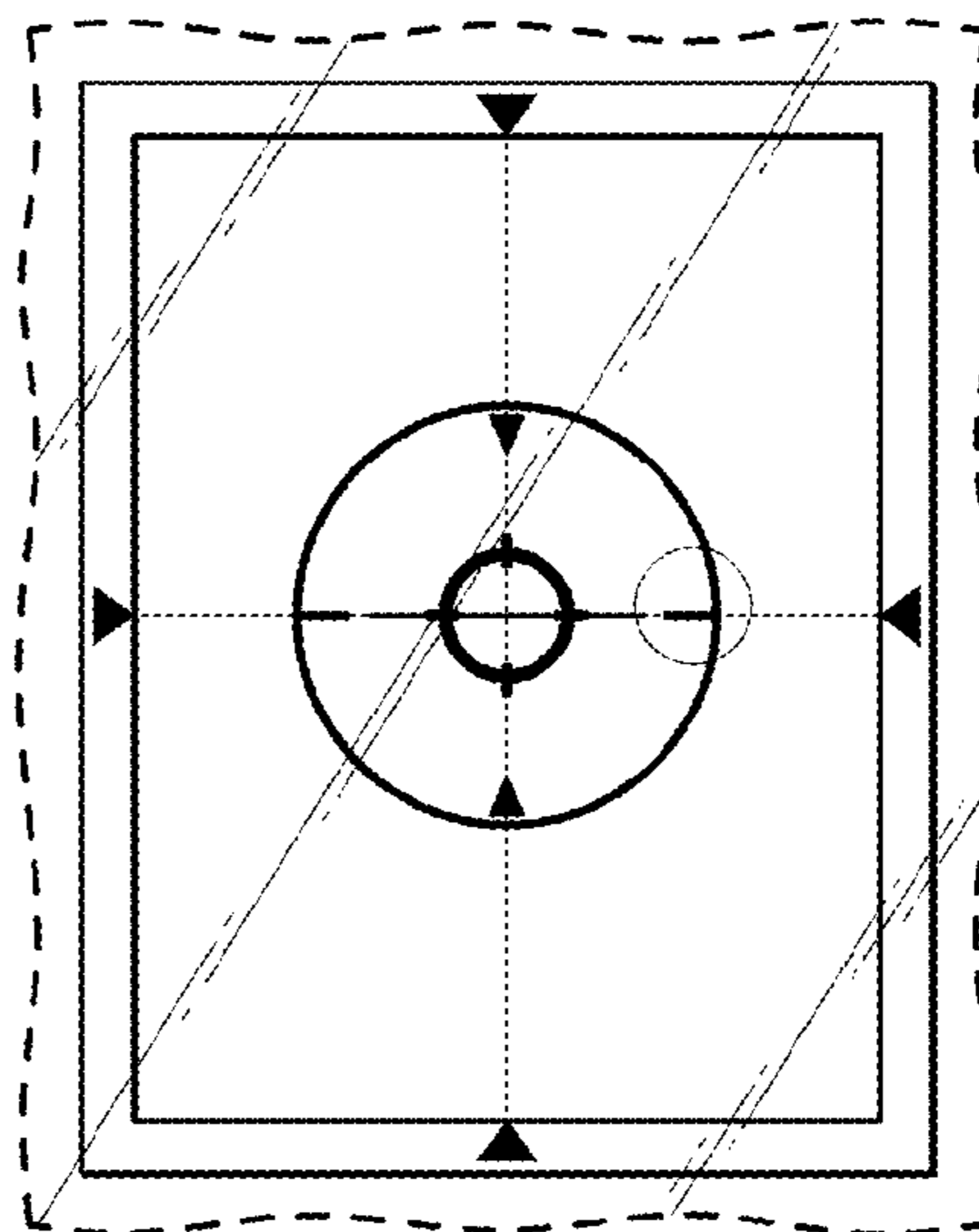
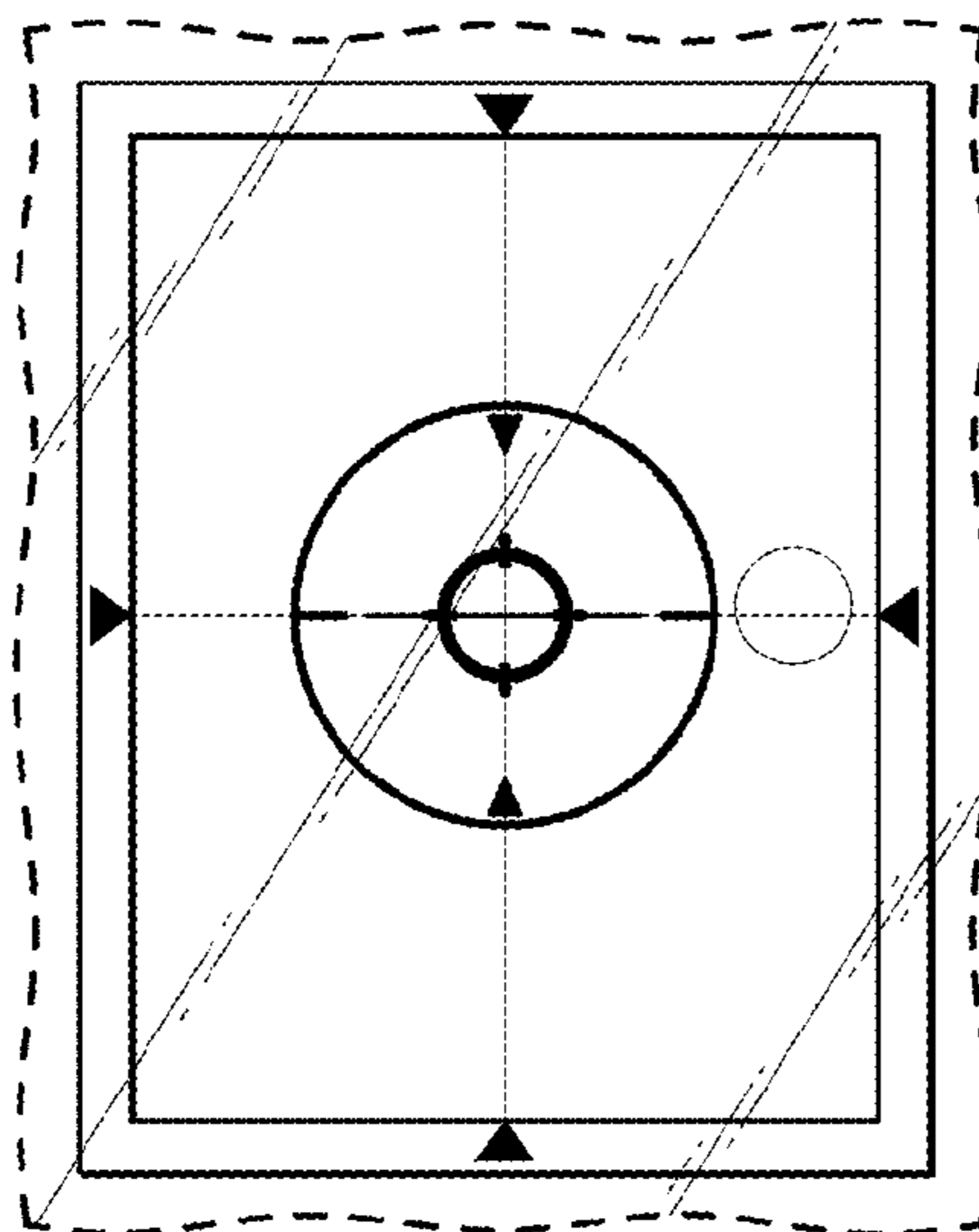
(56) **References Cited**

**U.S. PATENT DOCUMENTS**

6,037,936	A	*	3/2000	Ellenby	.....	G01C 17/34 348/211.8
D501,210	S	*	1/2005	Cook	.....	D14/486
D591,305	S	*	4/2009	Shimoda	.....	D14/485
D593,107	S	*	5/2009	Shimoda	.....	D14/485
D641,762	S	*	7/2011	Matas	.....	D14/486
D642,184	S	*	7/2011	Brouwers	.....	D14/486
D647,914	S	*	11/2011	Brouwers	.....	D14/486
D651,611	S	*	1/2012	Ouilhet	.....	D14/489
D697,523	S	*	1/2014	Oda	.....	D14/486
D703,221	S	*	4/2014	Park	.....	D14/486
D722,606	S	*	2/2015	Stroupe	.....	D14/485
D734,770	S	*	7/2015	Kim	.....	D14/486
D747,352	S	*	1/2016	Lee	.....	D14/492

FIG. 1 is a front view of the display screen portion, showing the new design, in a first embodiment;  
FIG. 2 is another front view of the display screen portion, with the graphical user interface in a second embodiment;  
FIG. 3 is another front view of the display screen portion, with the graphical user interface in a third embodiment;  
FIG. 4 is another front view of the display screen portion, with the graphical user interface in a fourth embodiment;  
FIG. 5 is another front view of the display screen portion, with the graphical user interface in a fifth embodiment;  
FIG. 6 is another front view of the display screen portion, with the user interface in a sixth embodiment;  
FIG. 7 is another front view of the display screen portion, with the user interface in a seventh embodiment;  
FIG. 8 is another front view of the display screen portion, with the user interface in an eighth embodiment;  
FIG. 9 is another front view of the display screen portion, with the user interface in a ninth embodiment; and,  
FIG. 10 is yet another front view of the display screen portion, with the user interface in a tenth embodiment.  
The broken line in each FIGS. 1-10 represents the outer periphery of the portion of the display screen, and also the outer periphery of the claimed design. The broken line itself forms no part of the claimed design.

**1 Claim, 3 Drawing Sheets**



(56)

**References Cited**

U.S. PATENT DOCUMENTS

D760,237 S *	6/2016	Sabadosh .....	D14/485
2014/0110483 A1 *	4/2014	Benson .....	G05B 1/01
			235/404
2015/0339051 A1 *	11/2015	Yang .....	G06F 3/04883
			382/189
2015/0348512 A1 *	12/2015	Sabatelli .....	G09G 5/37
			345/629
2016/0091282 A1 *	3/2016	Baker .....	G06T 11/60
			348/158

\* cited by examiner

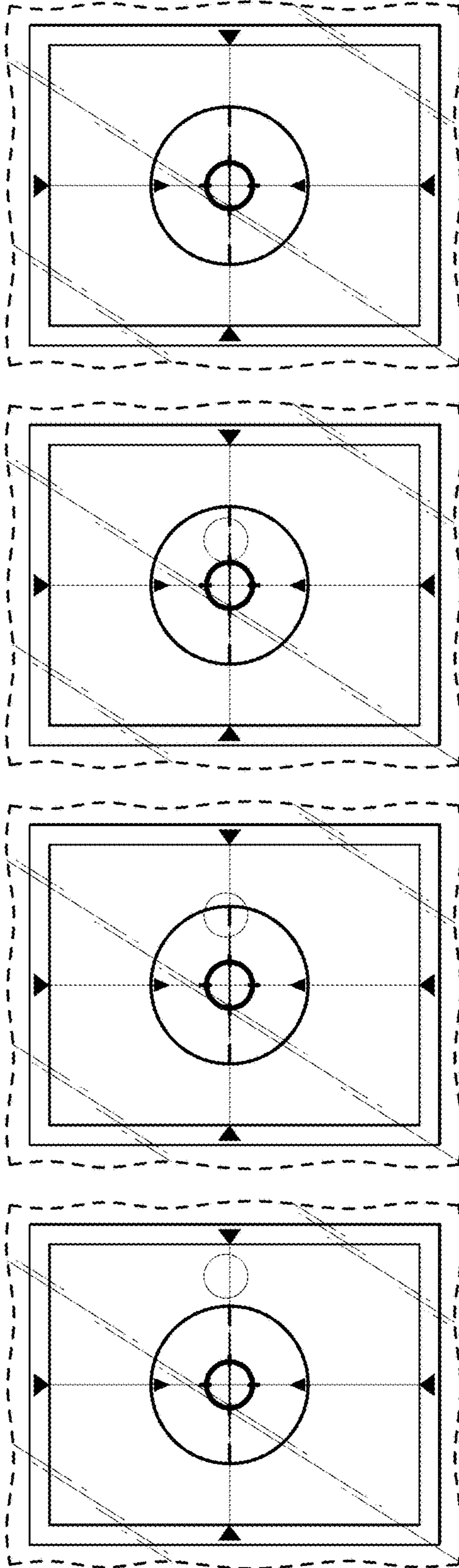


FIG. 4

FIG. 3

FIG. 2

FIG. 1

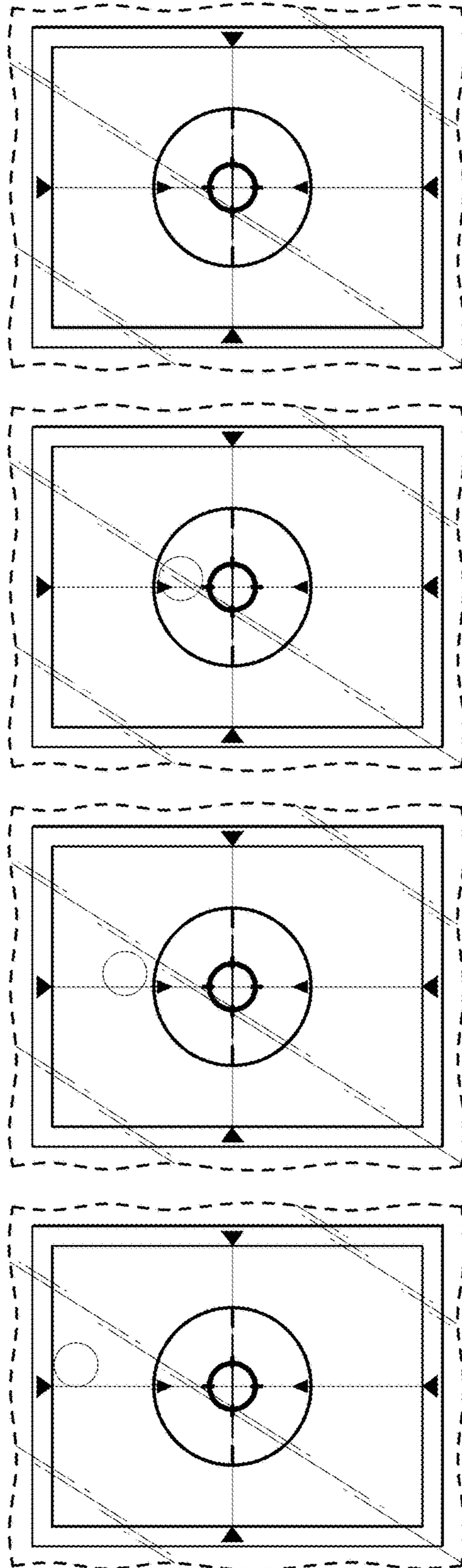


FIG. 8

FIG. 7

FIG. 6

FIG. 5

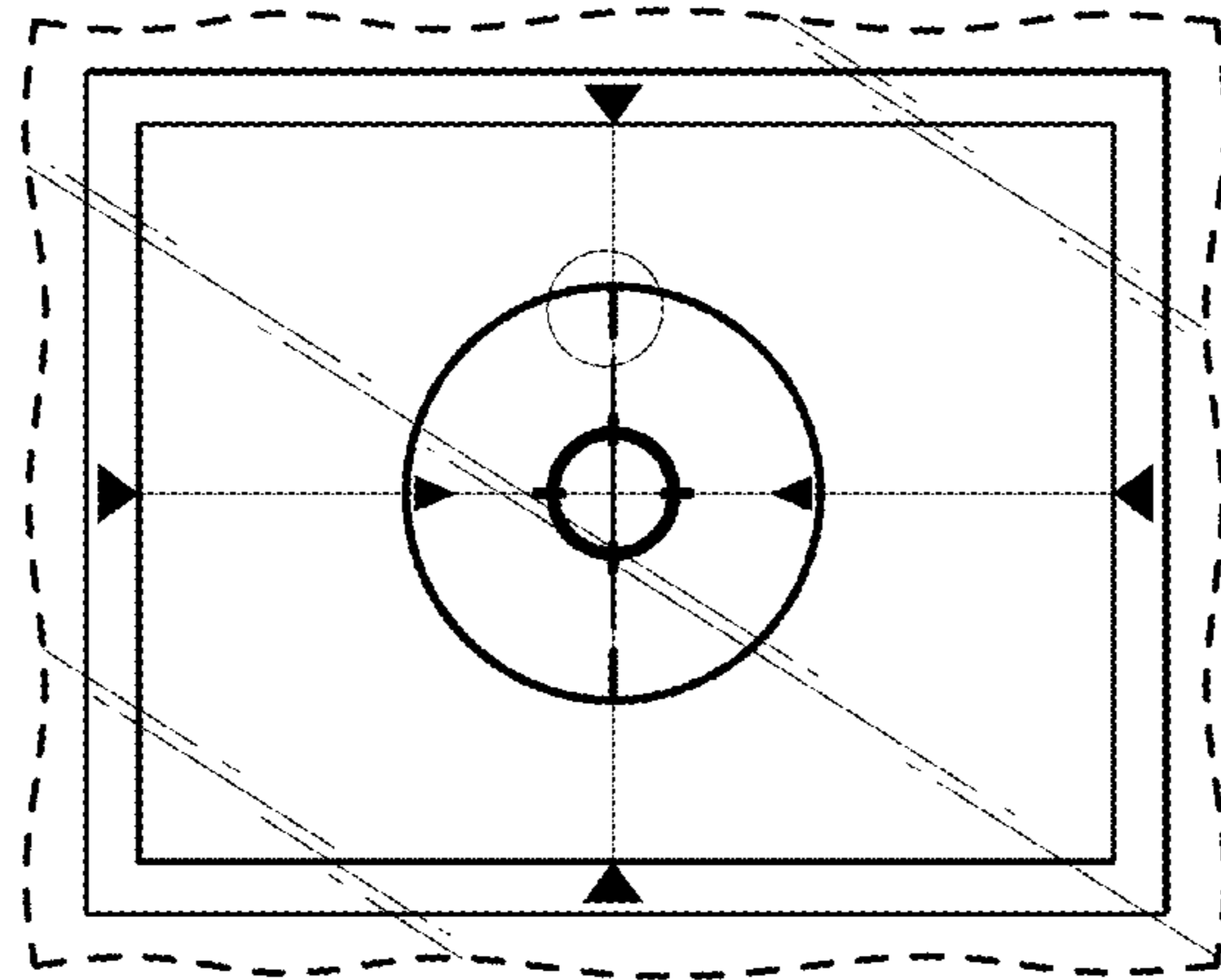


FIG. 10

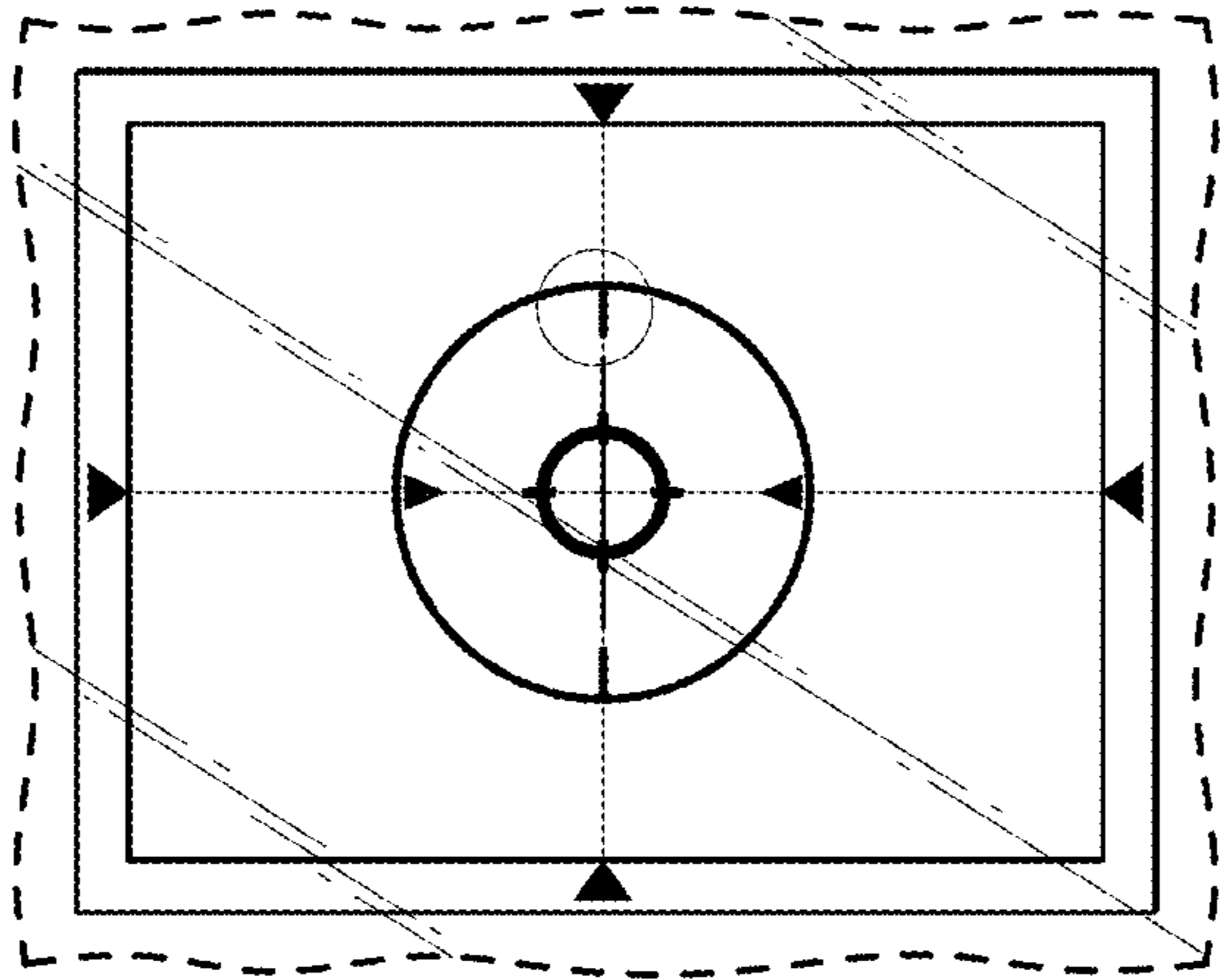


FIG. 9