

US00D799493S

(12) **United States Design Patent**
Grove

(10) **Patent No.:** **US D799,493 S**

(45) **Date of Patent:** **** Oct. 10, 2017**

(54) **MOBILE DEVICE STAND**

(71) Applicant: **Evan Bingham Grove**, New York, NY
(US)

(72) Inventor: **Evan Bingham Grove**, New York, NY
(US)

(**) Term: **15 Years**

(21) Appl. No.: **29/575,653**

(22) Filed: **Aug. 26, 2016**

(51) **LOC (10) Cl.** **08-07**

(52) **U.S. Cl.**
USPC **D14/447**

(58) **Field of Classification Search**
USPC D14/447, 432, 434, 439, 440, 451, 452,
D14/457, 239; D8/363, 373, 380;
D6/406.3, 406.4, 406.5, 406.6; D12/415
CPC A47B 21/04; A47B 2097/006; A47B
2097/005; A47B 2023/049; A45C
2011/002; A45C 2011/003; F16M
2200/00; F16M 13/00
See application file for complete search history.

(56) **References Cited**

U.S. PATENT DOCUMENTS

D413,110 S * 8/1999 Sweere D14/447
D593,568 S * 6/2009 Hsieh D14/451

D660,287 S * 5/2012 McManigal D14/217
D677,260 S * 3/2013 Hong D14/447
D688,670 S * 8/2013 Huang D14/447
D692,010 S * 10/2013 Verghese D14/447
D703,673 S * 4/2014 Kittlaus D14/447
D704,197 S * 5/2014 Aber D14/447
D717,306 S * 11/2014 Clouser D14/447
D730,914 S * 6/2015 Park D14/447
D754,136 S * 4/2016 Schoening D14/447
D760,724 S * 7/2016 Kang D14/447

* cited by examiner

Primary Examiner — Angela J Lee

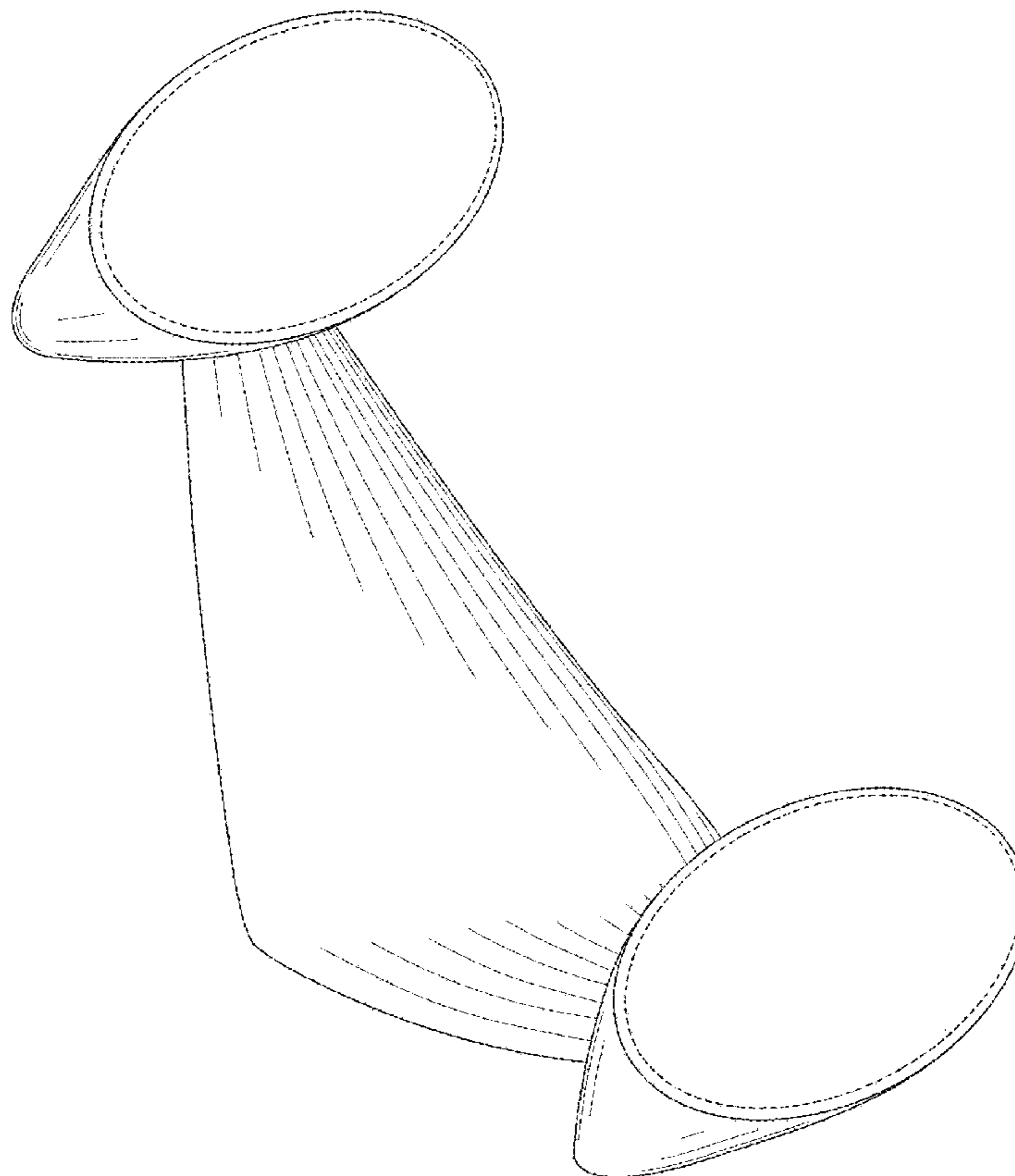
(57) **CLAIM**

The ornamental design for a mobile device stand, as shown and described.

DESCRIPTION

FIG. 1 is a perspective view mobile device stand, showing my new design;
FIG. 2 is a side elevation view thereof;
FIG. 3 is a top elevation view thereof;
FIG. 4 is a bottom elevation view thereof;
FIG. 5 is a front elevation view thereof; and,
FIG. 6 is a rear elevation view thereof.
The broken lines shown in the drawings illustrate portions of the mobile device stand that form no part of the claimed design.

1 Claim, 5 Drawing Sheets



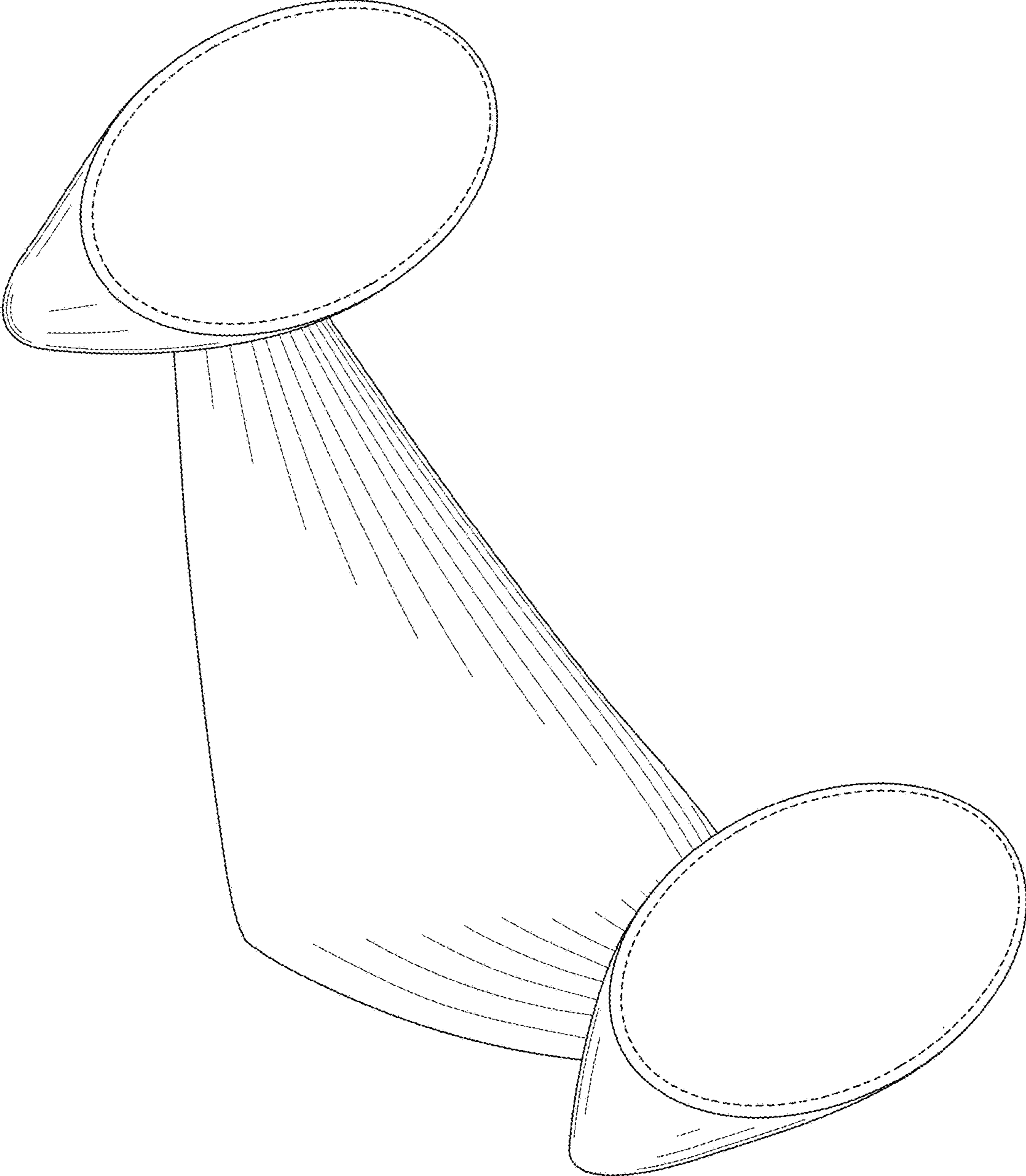


FIG.1

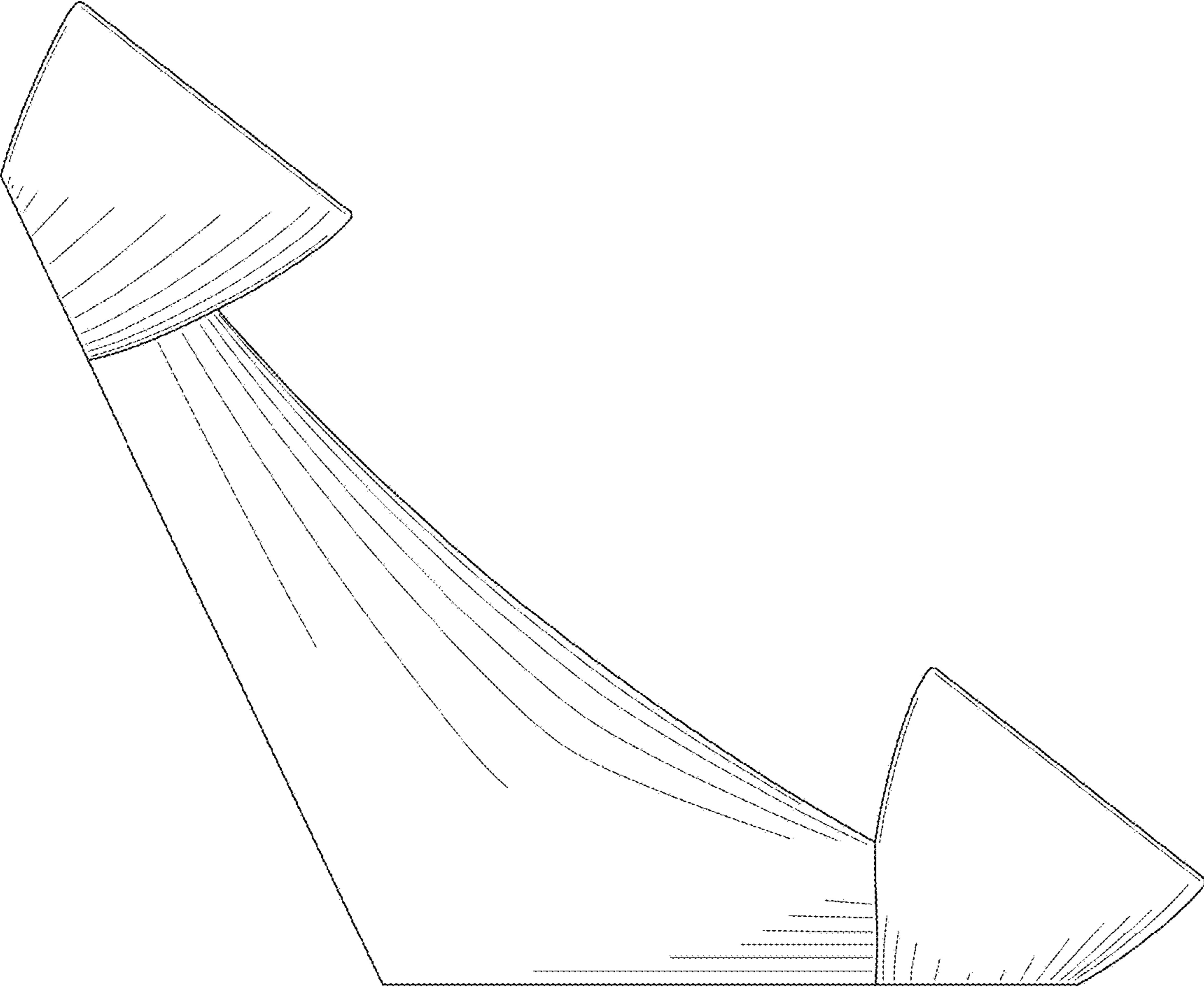


FIG.2

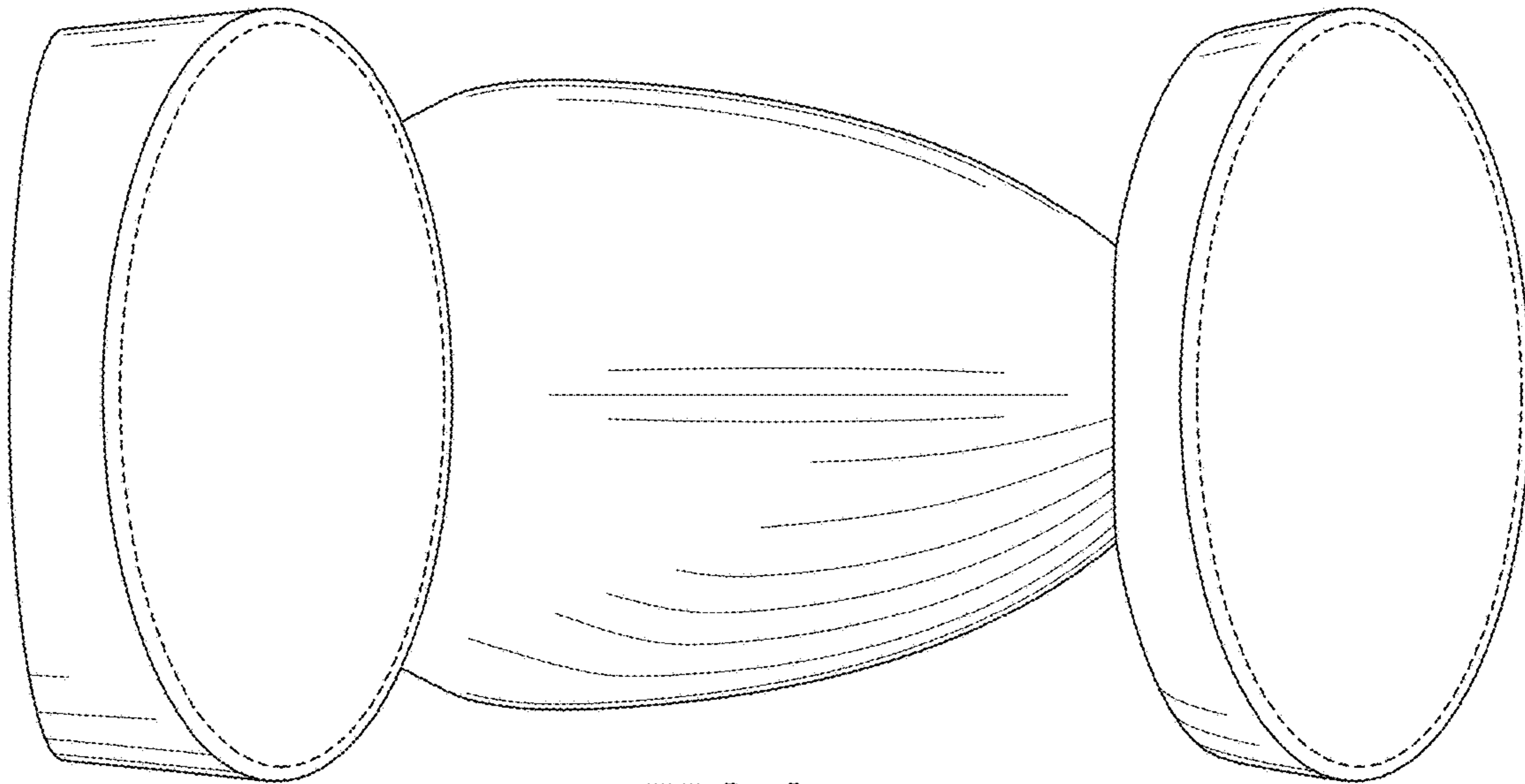


FIG. 3

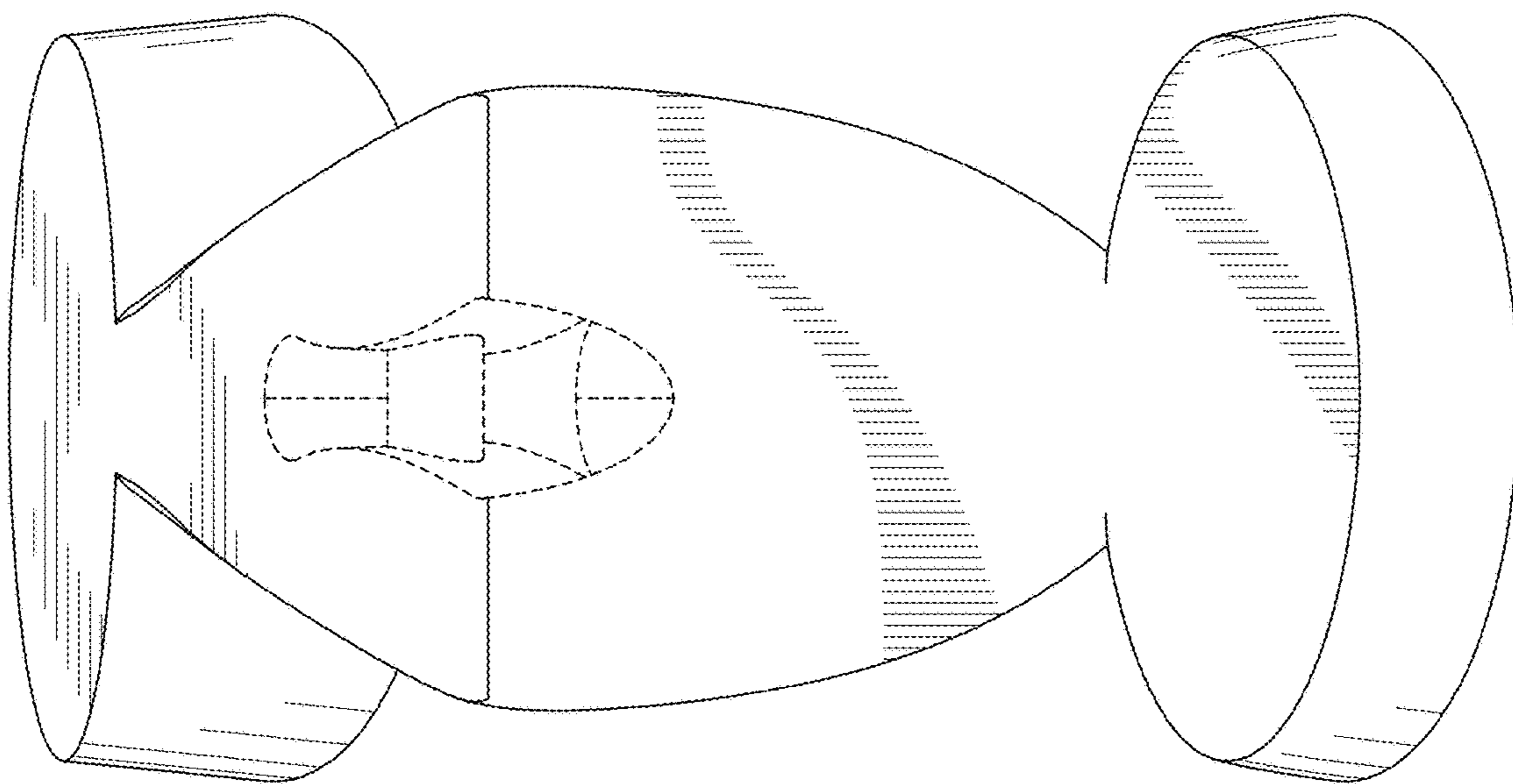


FIG. 4

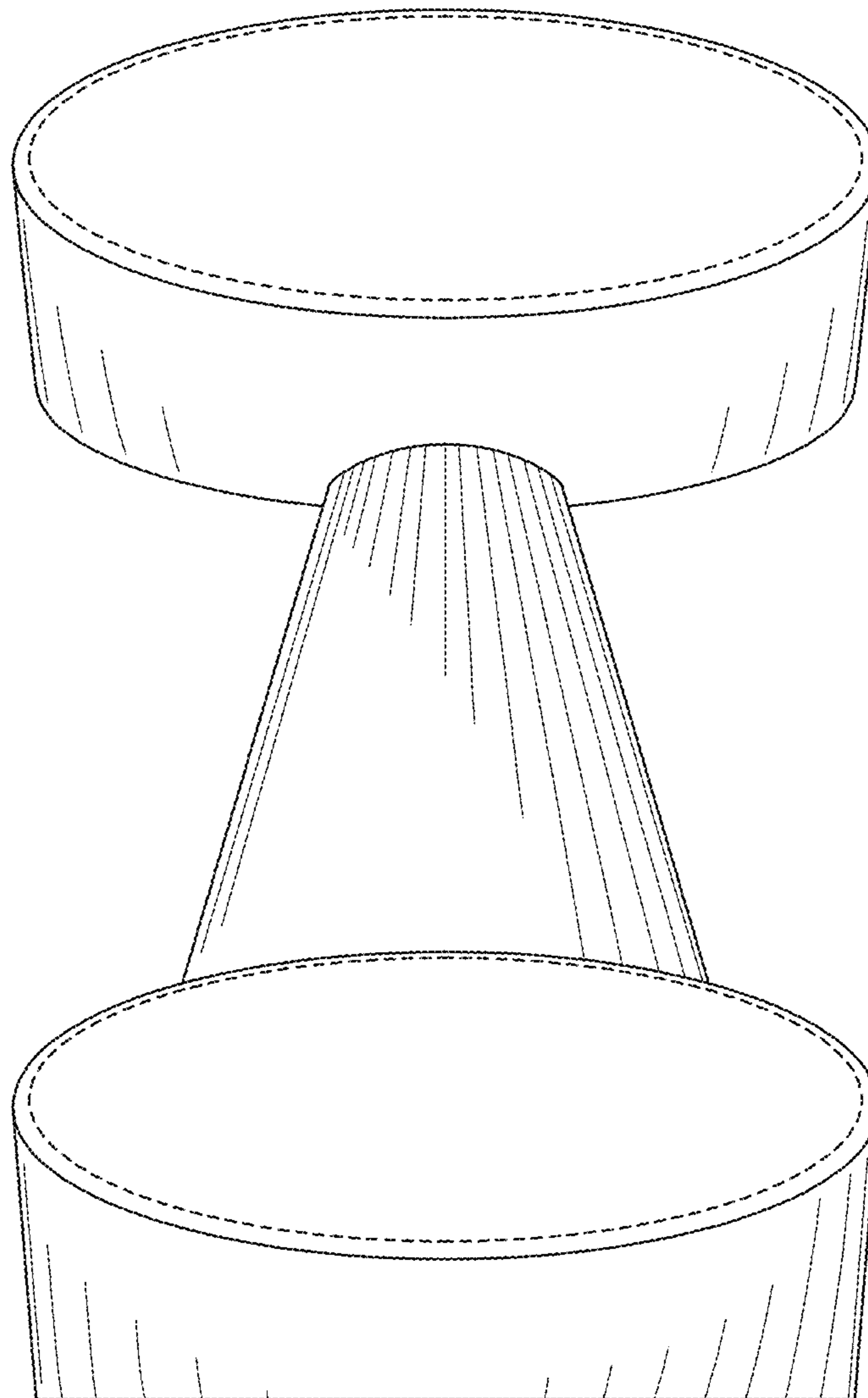


FIG.5

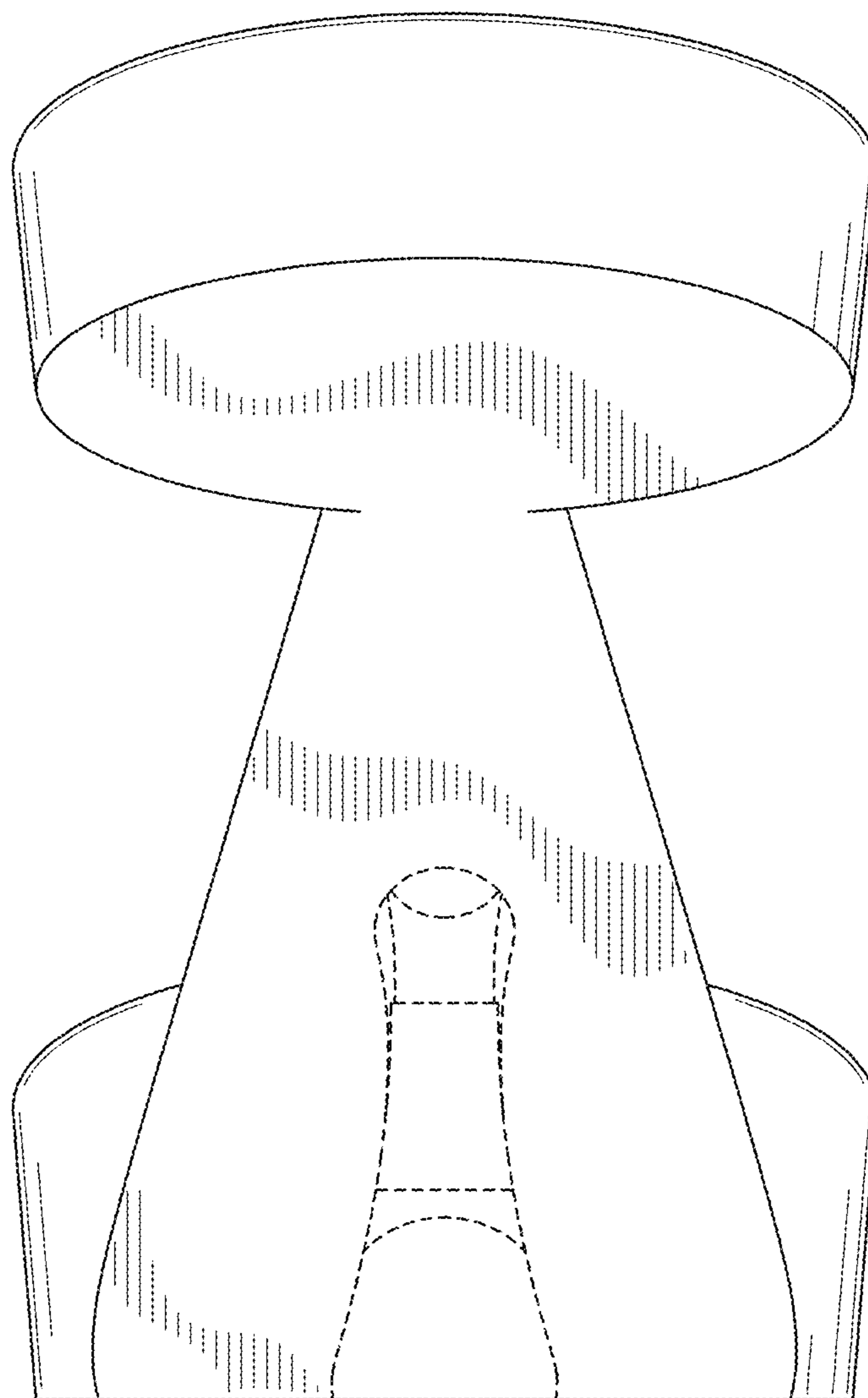


FIG.6