



US00D799492S

(12) **United States Design Patent** (10) **Patent No.:** **US D799,492 S**
Seiss (45) **Date of Patent:** **** Oct. 10, 2017**

(54) **MOBILE DEVICE MOUNT**
(71) Applicant: **United States Postal Service,**
Washington, DC (US)
(72) Inventor: **Joseph B. Seiss,** College Park, MD
(US)
(73) Assignee: **United States Postal Service,**
Washington, DC (US)
(**) Term: **15 Years**
(21) Appl. No.: **29/569,075**
(22) Filed: **Jun. 23, 2016**
(51) **LOC (10) Cl.** **08-07**
(52) **U.S. Cl.**
USPC **D14/447**
(58) **Field of Classification Search**
USPC D14/447, 432, 434, 439, 440, 451, 452,
D14/457, 239; D8/363, 373, 380;
D6/406.3, 406.4, 406.5, 406.6; D12/415
CPC A47B 21/04; A47B 2097/006; A47B
2097/005; A47B 2033/049; A45C
2011/002; A45C 2011/003; F16M
2200/00; F16M 13/00
See application file for complete search history.

(56) **References Cited**
U.S. PATENT DOCUMENTS
D542,279 S * 5/2007 Chan D14/216
D584,075 S * 1/2009 Hung D14/239
D584,732 S * 1/2009 Cho D14/434
D624,919 S * 10/2010 Bull D14/434
D639,301 S * 6/2011 Anderson D13/107

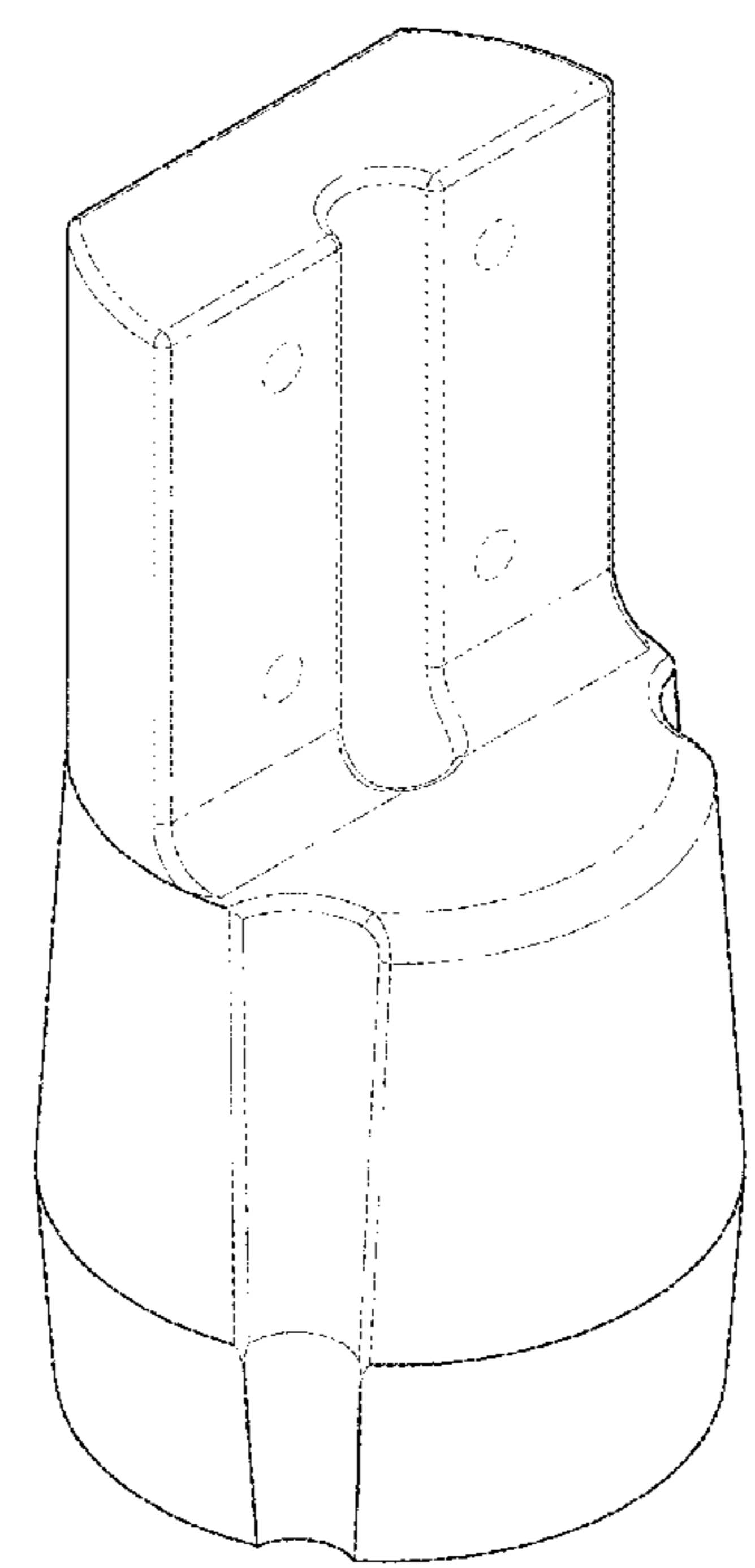
D644,645 S * 9/2011 Huang D14/434
D655,293 S * 3/2012 Gioscia D14/434
D668,657 S * 10/2012 Wesolek D14/434
D736,210 S * 8/2015 Paradise D14/434
D746,288 S * 12/2015 Mathis D14/432
D752,595 S * 3/2016 Heckler D14/447
D771,614 S * 11/2016 Chang D14/253
D776,667 S * 1/2017 Fujioka D14/447

* cited by examiner
Primary Examiner — Angela J Lee
(74) *Attorney, Agent, or Firm* — Knobbe Martens Olson
& Bear LLP

(57) **CLAIM**
The ornamental design for a mobile device mount, as shown
and described.

DESCRIPTION
FIG. 1 is a left perspective view of the mobile device mount.
FIG. 2 is a front view of the mobile device mount of FIG.
1.
FIG. 3 is a rear view of the mobile device mount of FIG. 1.
FIG. 4 is a right side view of the mobile device mount of
FIG. 1.
FIG. 5 is a left side view of the mobile device mount of FIG.
1.
FIG. 6 is a top view of the mobile device mount of FIG. 1;
and,
FIG. 7 is a bottom side view of the mobile device mount of
FIG. 1.
Broken lines are used to illustrate environmental structure
and form no part of the claimed design.

1 Claim, 6 Drawing Sheets



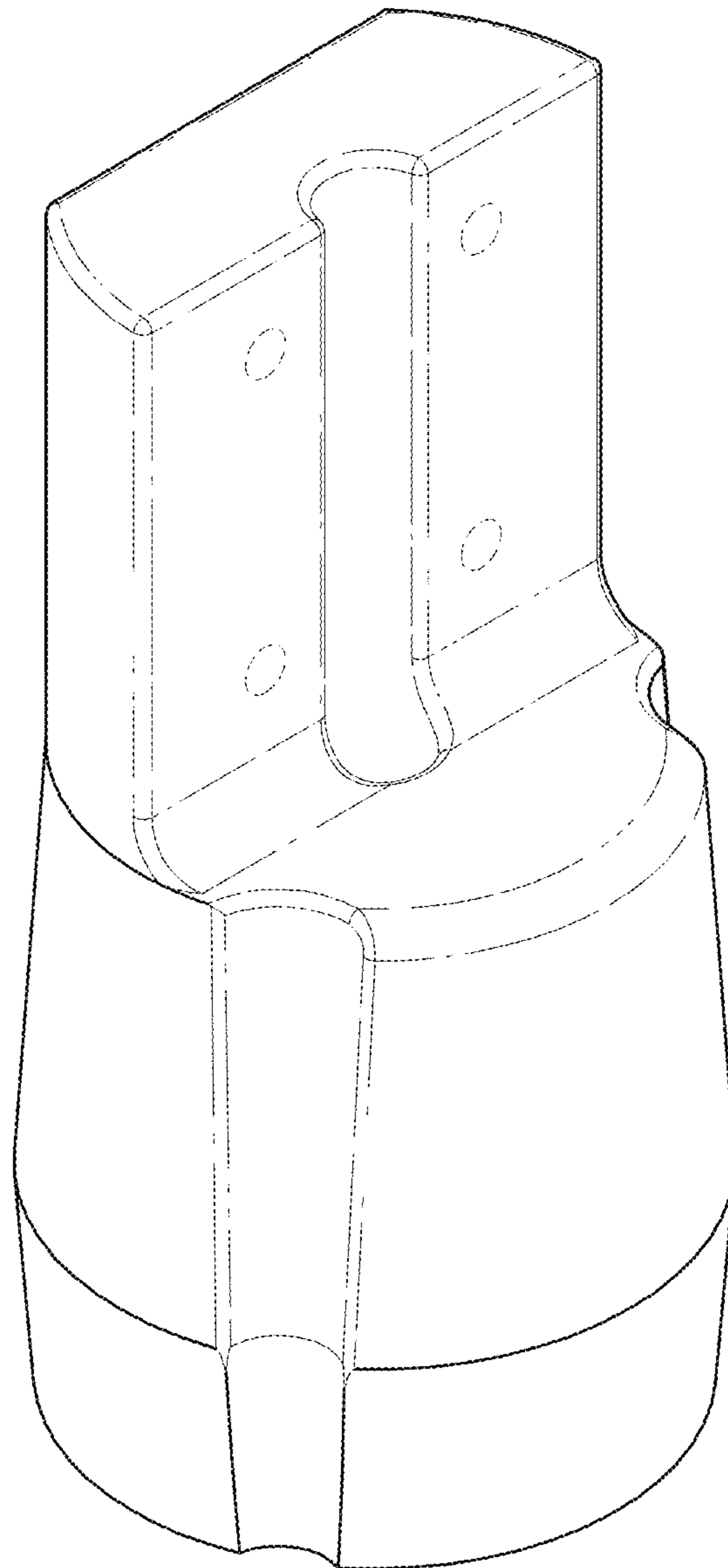


FIG. 1

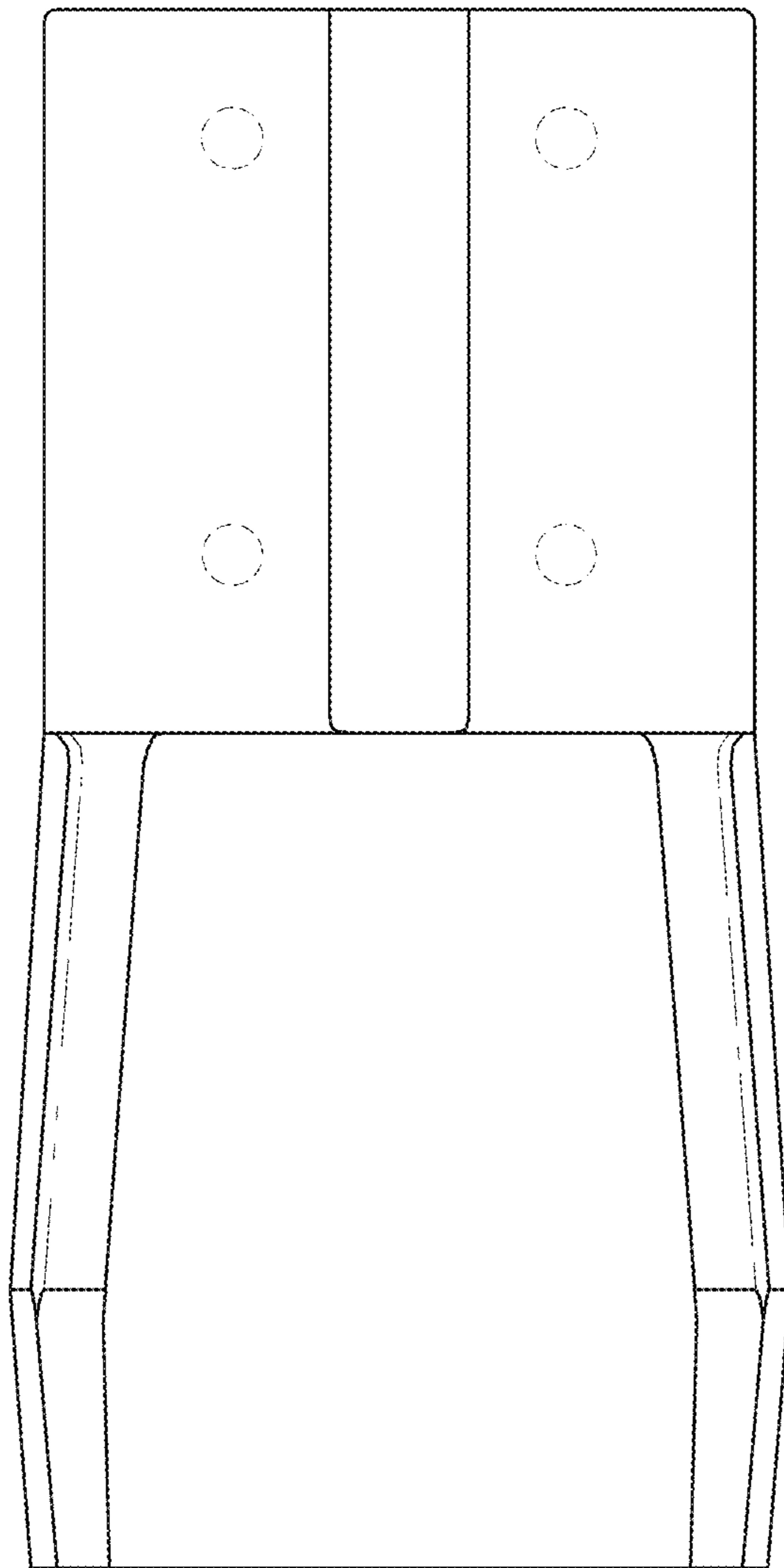


FIG. 2

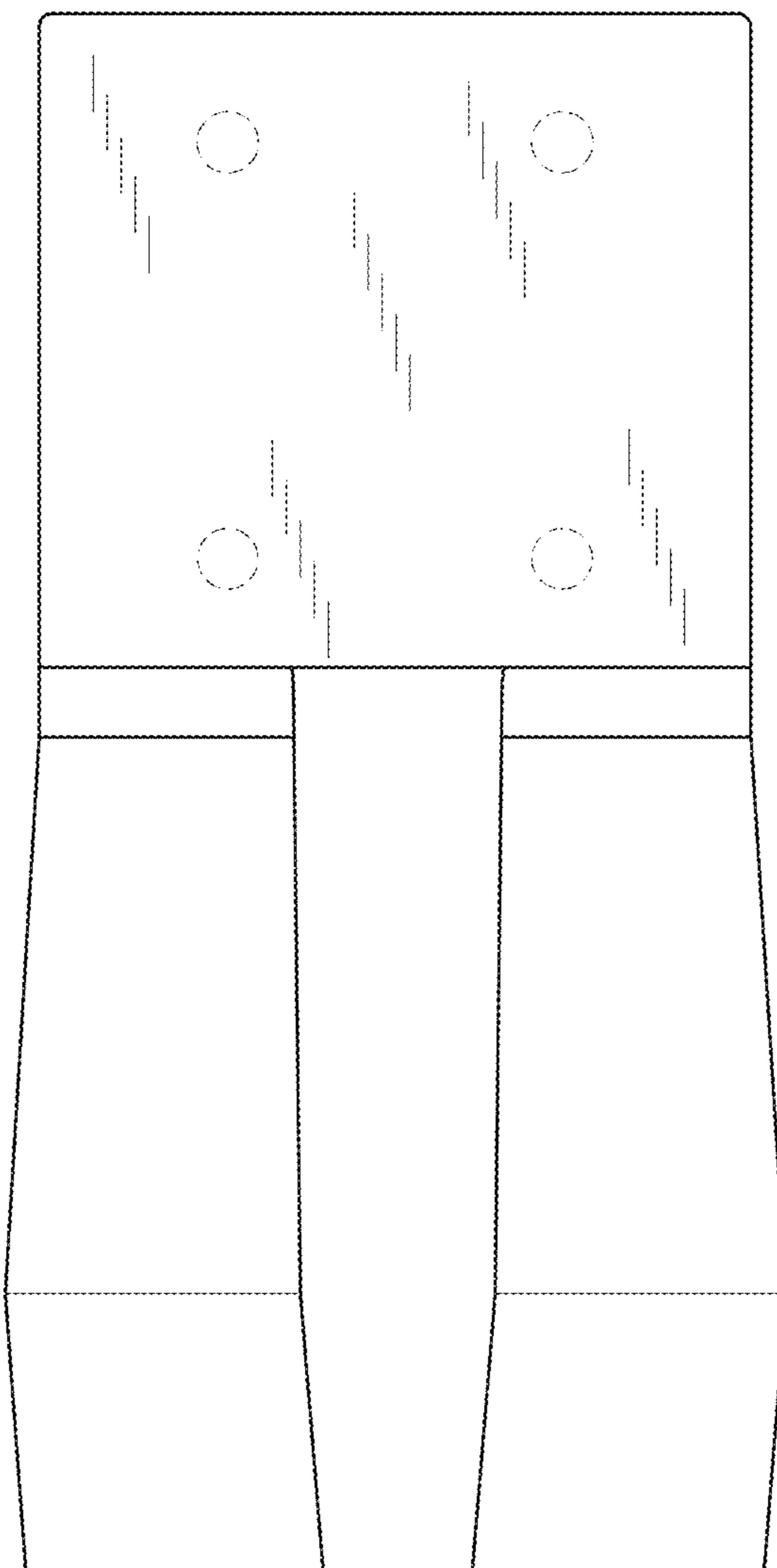


FIG. 3

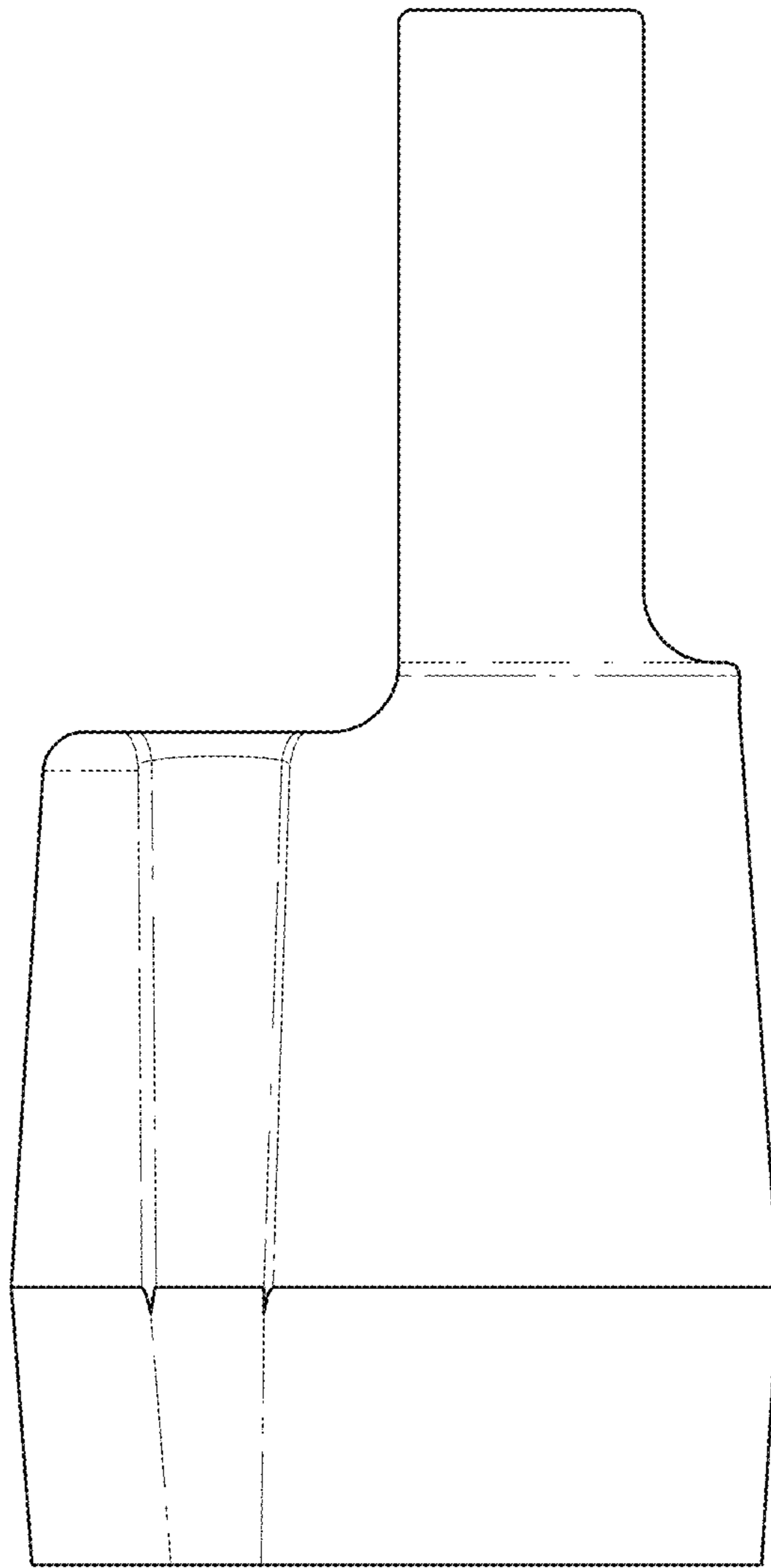


FIG. 4

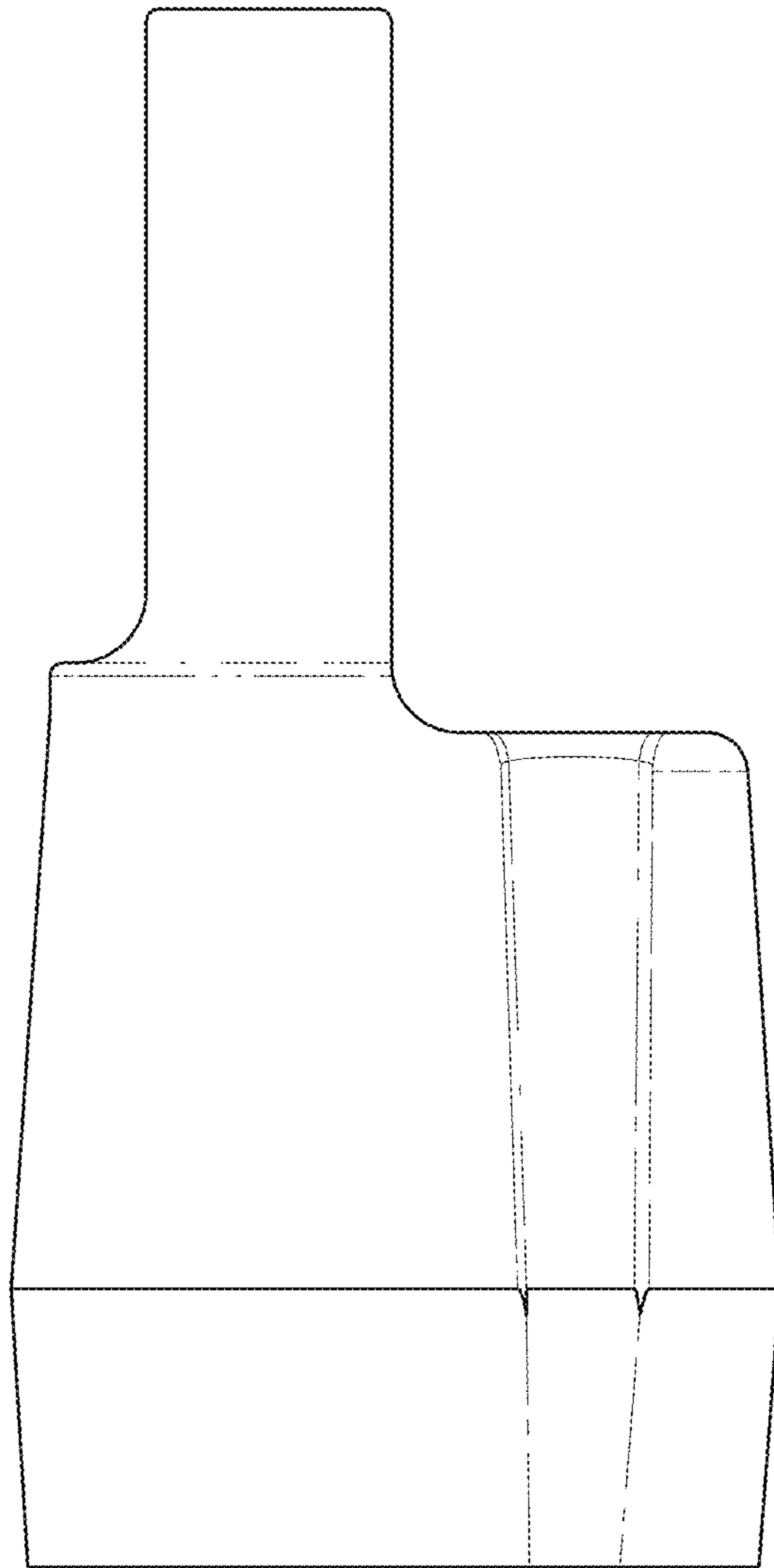


FIG. 5

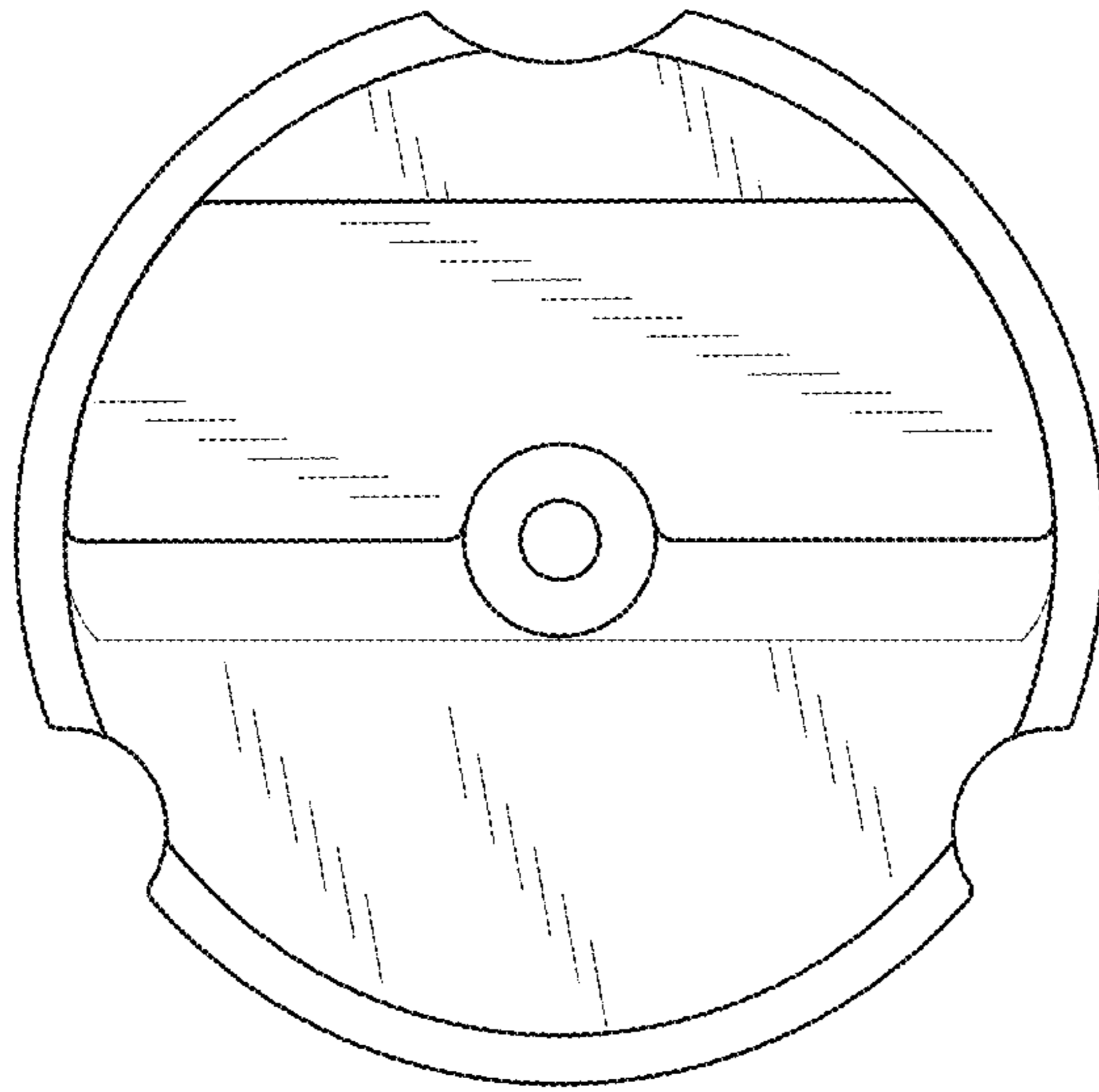


FIG. 6

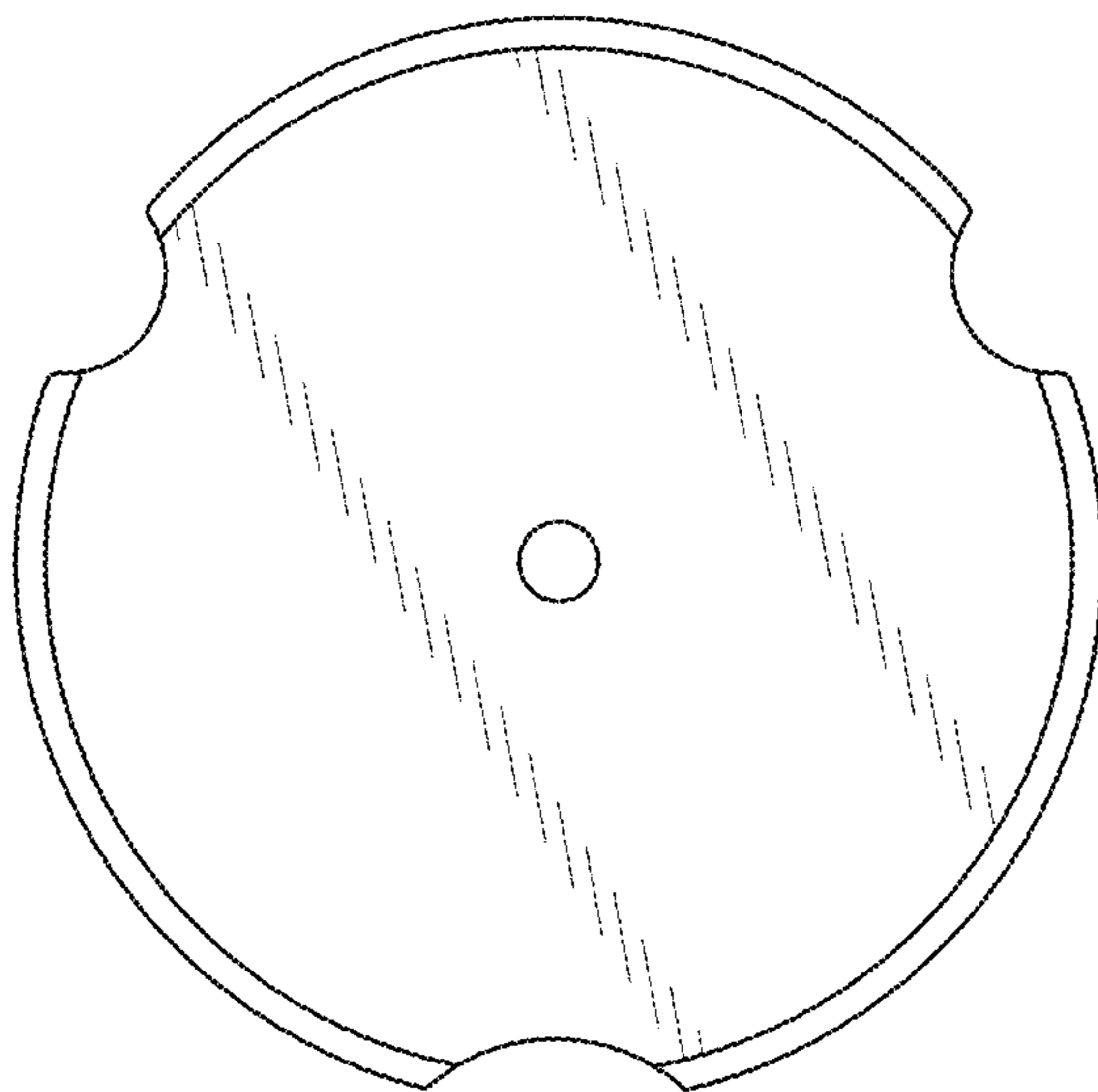


FIG. 7