



US00D799491S

(12) **United States Design Patent**
Barnard et al.

(10) **Patent No.:** **US D799,491 S**

(45) **Date of Patent:** **** Oct. 10, 2017**

(54) **INFORMATION HANDLING SYSTEM
CARRYING CASE**

(71) Applicant: **Dell Products L.P.**, Round Rock, TX
(US)

(72) Inventors: **Christopher T. Barnard**, Austin, TX
(US); **Chad A. Rabe**, Round Rock, TX
(US); **Michael Ellis Smith**, Austin, TX
(US)

(73) Assignee: **Dell Products L.P.**, Round Rock, TX
(US)

(**) Term: **15 Years**

(21) Appl. No.: **29/564,497**

(22) Filed: **May 13, 2016**

(51) **LOC (10) Cl.** **14-02**

(52) **U.S. Cl.**
USPC **D14/440**

(58) **Field of Classification Search**
USPC D14/250, 440, 447, 253; 206/45.23, 320,
206/45.2, 316.2; 361/679.55; 294/25;
224/218
CPC G06F 1/1628; G06F 1/1613; G06F 1/1626;
A47B 23/044
See application file for complete search history.

(56) **References Cited**

U.S. PATENT DOCUMENTS

D658,187 S *	4/2012	Diebel	G06F 1/1628
				D14/440
D678,272 S *	3/2013	Groene	D14/341
D678,877 S *	3/2013	Groene	D14/341
D691,805 S *	10/2013	Chang	D3/301
D696,254 S *	12/2013	Groene	D14/341
D696,256 S *	12/2013	Piedra	D14/440
D696,669 S *	12/2013	Akana	D14/440
D696,865 S *	1/2014	Morszeck	D3/301

D706,270 S *	6/2014	Akana	D14/440
D713,848 S *	9/2014	Akana	D14/440
D731,486 S *	6/2015	Kim	D14/392
D732,044 S *	6/2015	Longo	D14/440
D733,152 S *	6/2015	Sirichai	D14/440
D755,782 S *	5/2016	Shyu	D14/315
D761,798 S *	7/2016	Lee	D14/440

(Continued)

Primary Examiner — Cynthia Underwood

(74) *Attorney, Agent, or Firm* — Terrile, Cannatti,
Chambers & Holland, LLP; Robert W. Holland

(57) **CLAIM**

We claim the ornamental design for an information handling system carrying case, as shown and described.

DESCRIPTION

FIG. 1 is a front perspective upper view of the information handling system carrying case in a closed position comprising the present invention;

FIG. 2 is a front side view thereof in a closed position;

FIG. 3 is a rear side view thereof in a closed position;

FIG. 4 is a right side view thereof in a closed position;

FIG. 5 is a left side view thereof in a closed position;

FIG. 6 is a top view thereof in a closed position;

FIG. 7 is a bottom view thereof in a closed position;

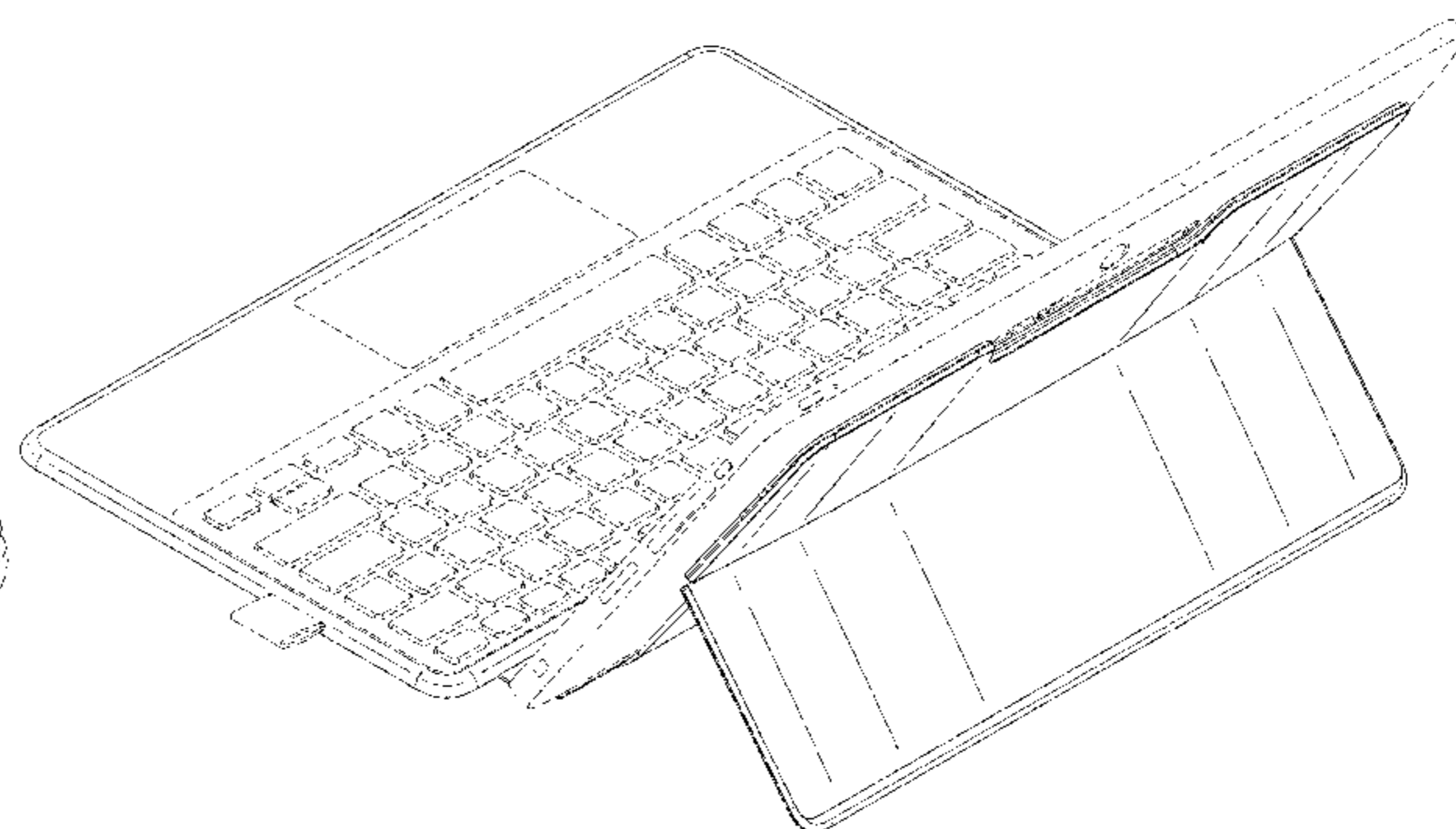
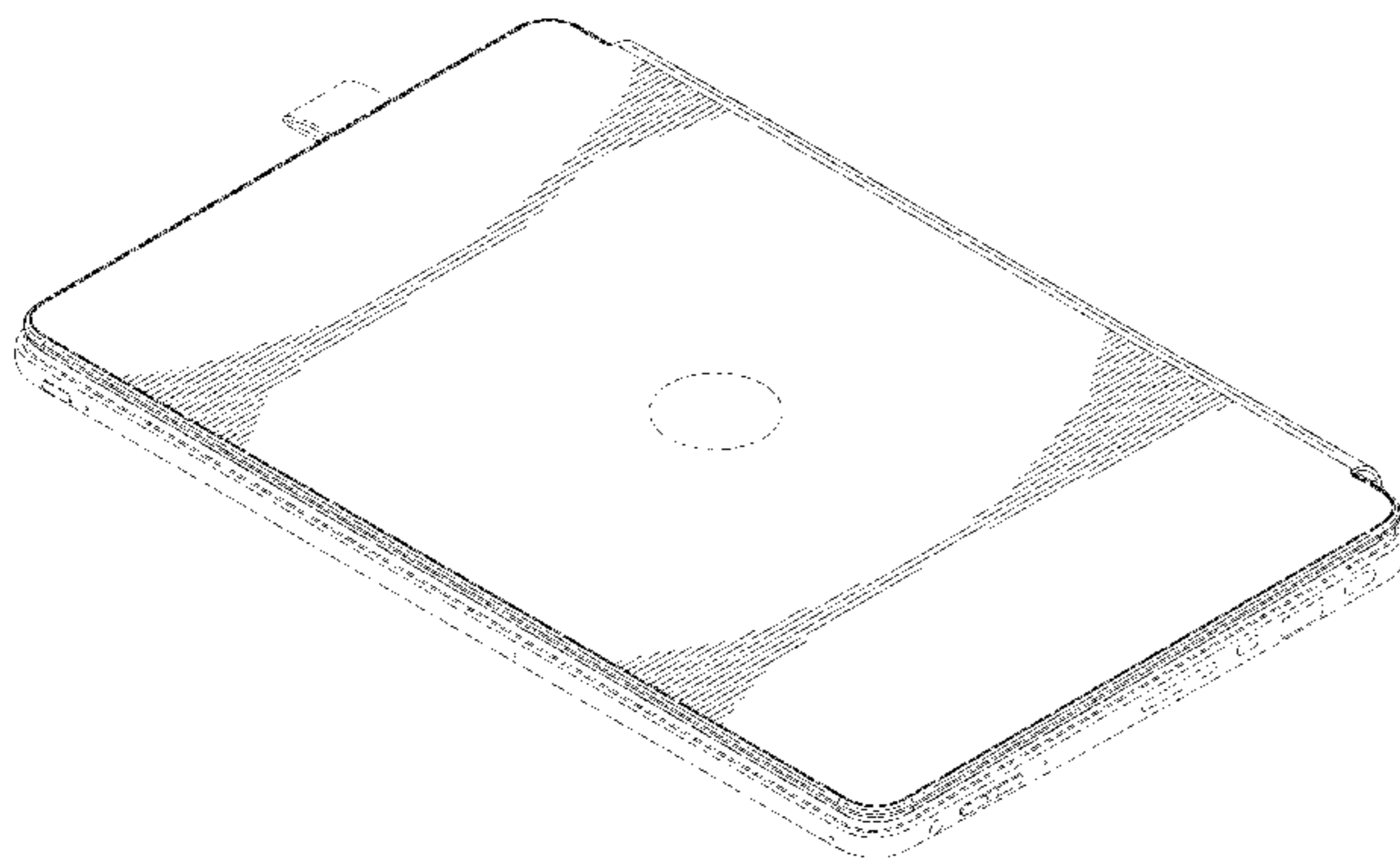
FIG. 8 is a bottom perspective view thereof in a closed position;

FIG. 9 is a rear perspective view thereof in an open position having a keyboard portion coupled to the carrying case with a tablet information handling system supported in a viewing position; and,

FIG. 10 is a right side view thereof in an open position having a keyboard portion coupled to the carrying case with a tablet information handling system supported in a viewing position.

Broken lines shown in the drawings illustrate portions of the information handling system carrying case, and form no part of the claimed design.

1 Claim, 8 Drawing Sheets



(56)

References Cited

U.S. PATENT DOCUMENTS

2006/0007645	A1 *	1/2006	Chen	G06F 1/1626 361/679.04
2009/0159763	A1 *	6/2009	Kim	F16M 13/00 248/174
2009/0201254	A1 *	8/2009	Rais	G06F 1/1613 345/168
2012/0140396	A1 *	6/2012	Zeliff	G06F 1/1628 361/679.09

* cited by examiner

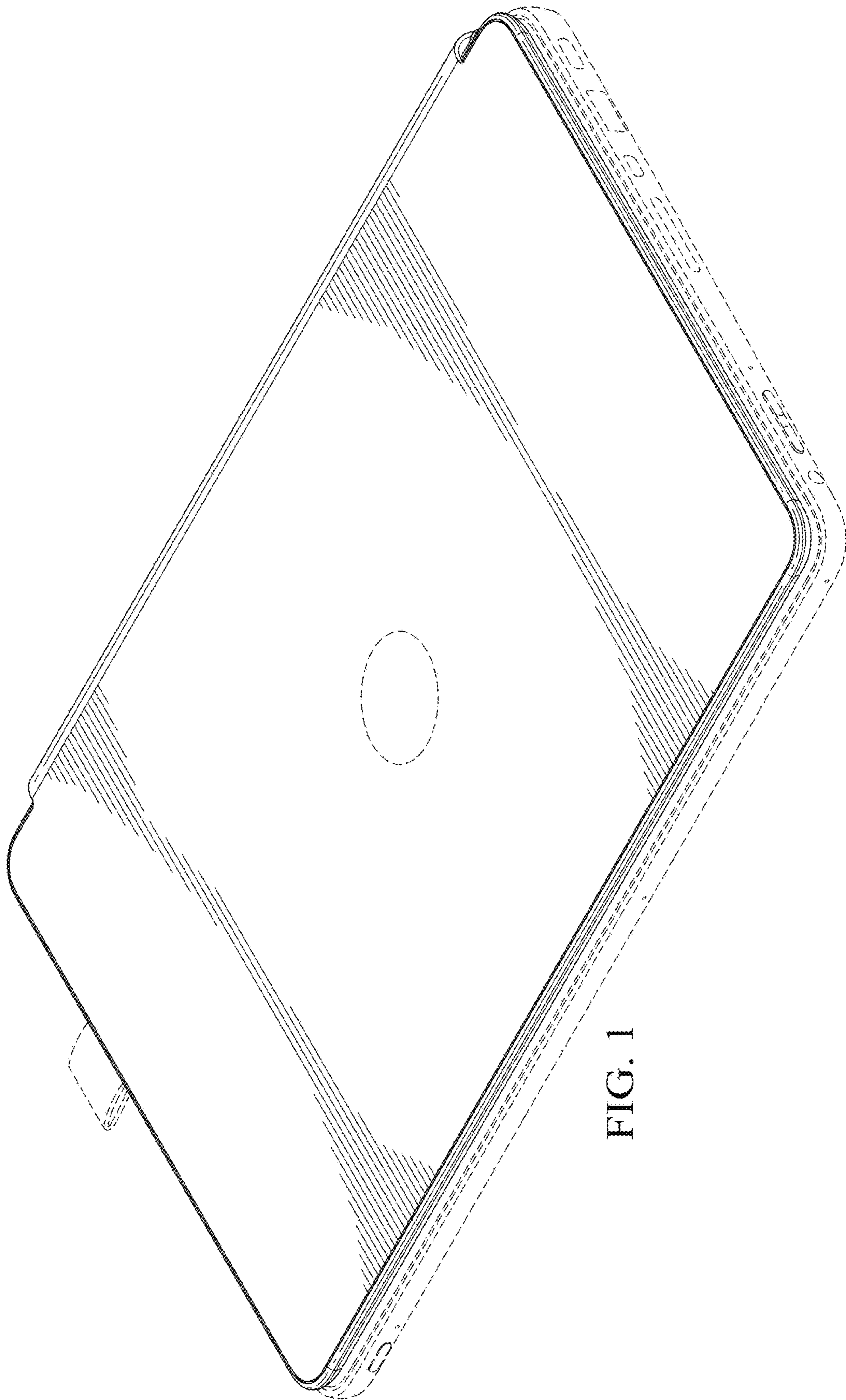


FIG. 1

FIG. 2

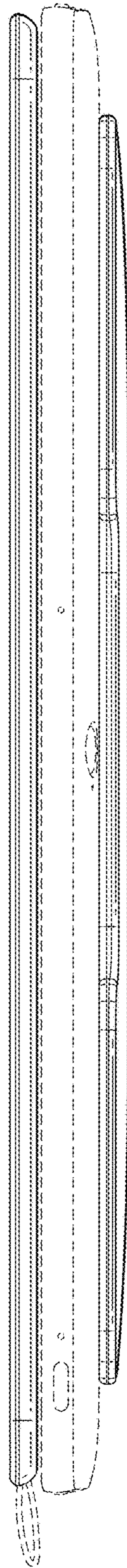


FIG. 3

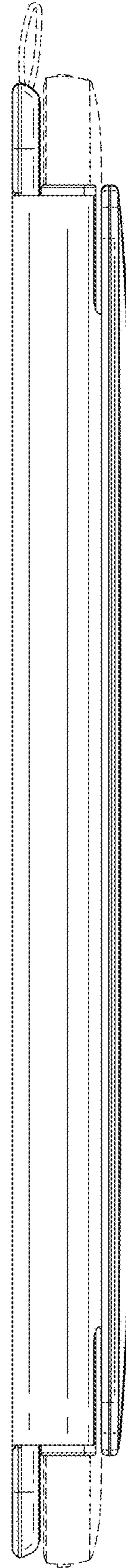


FIG. 4

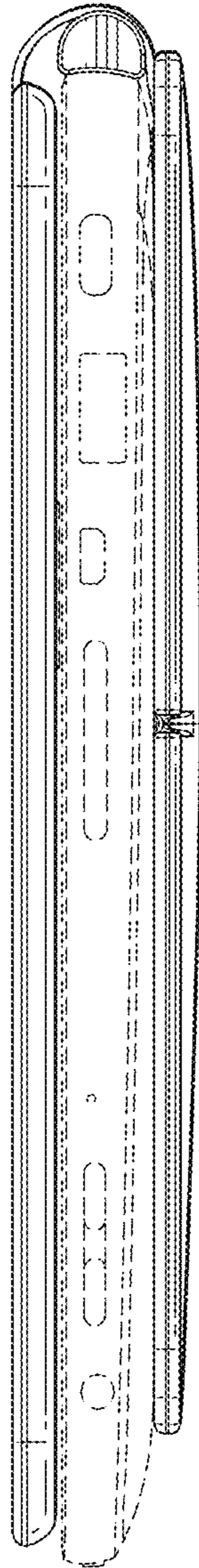


FIG. 5

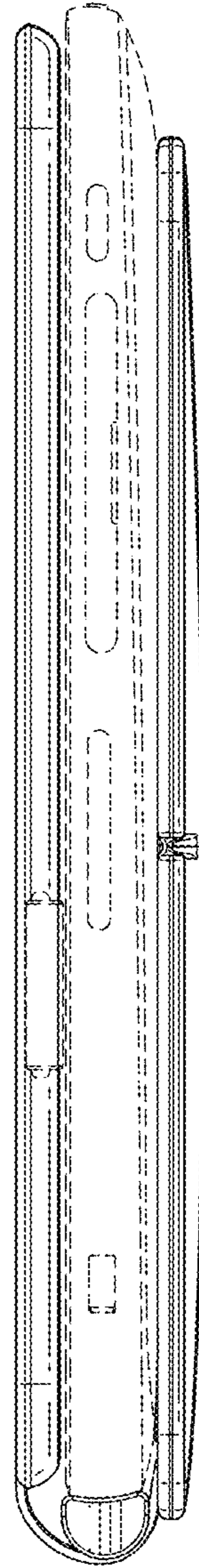
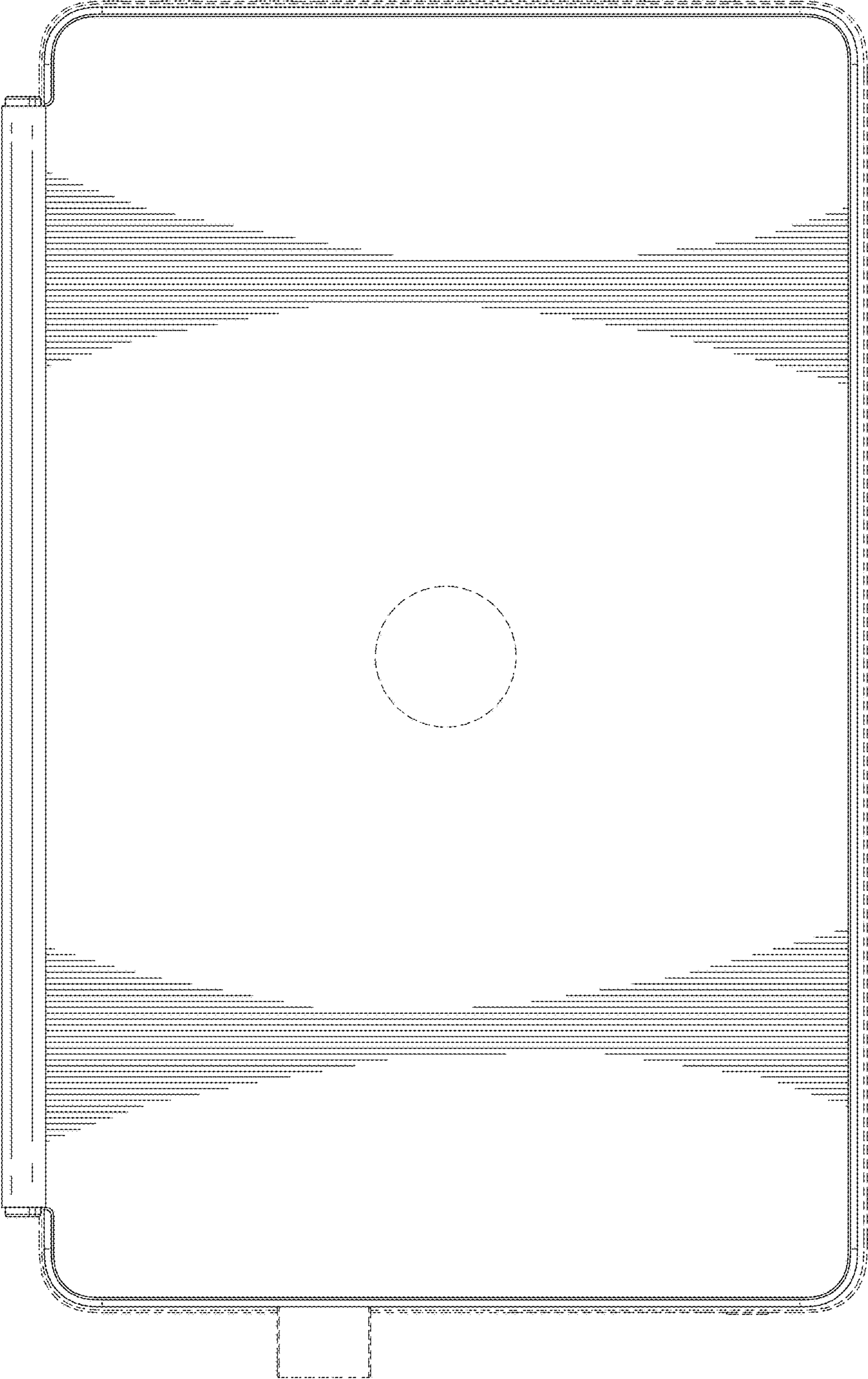


FIG. 6



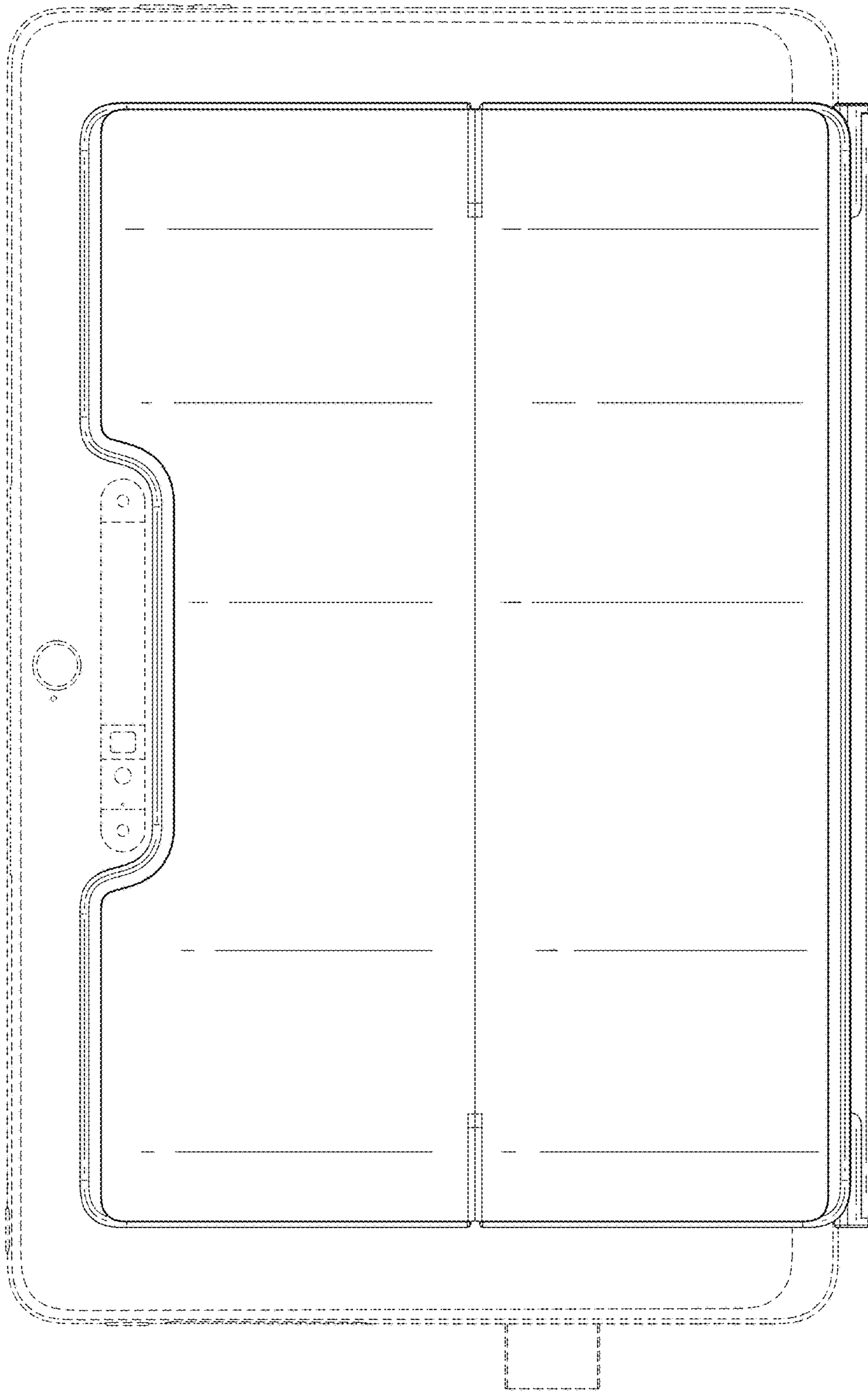


FIG. 7

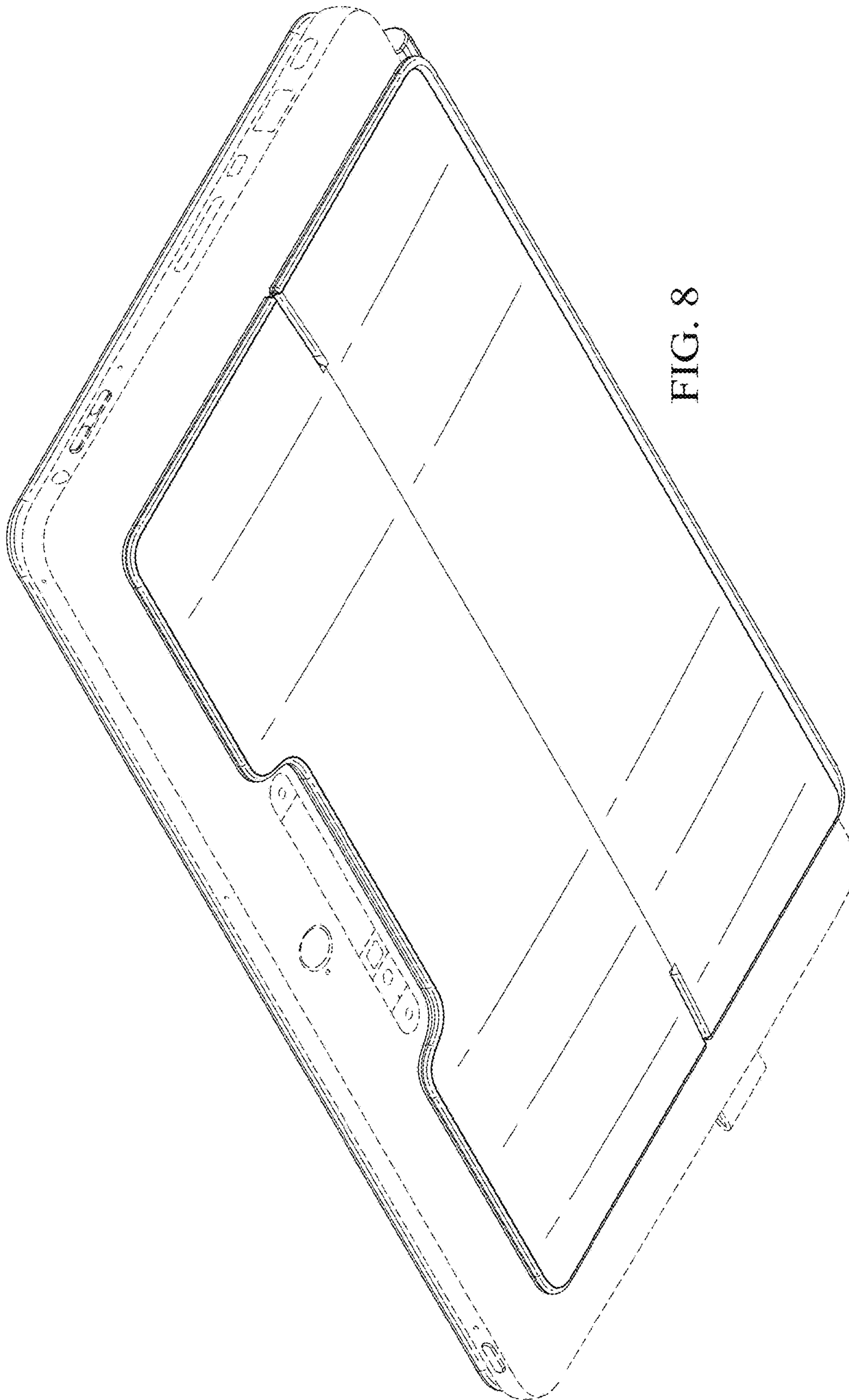


FIG. 8

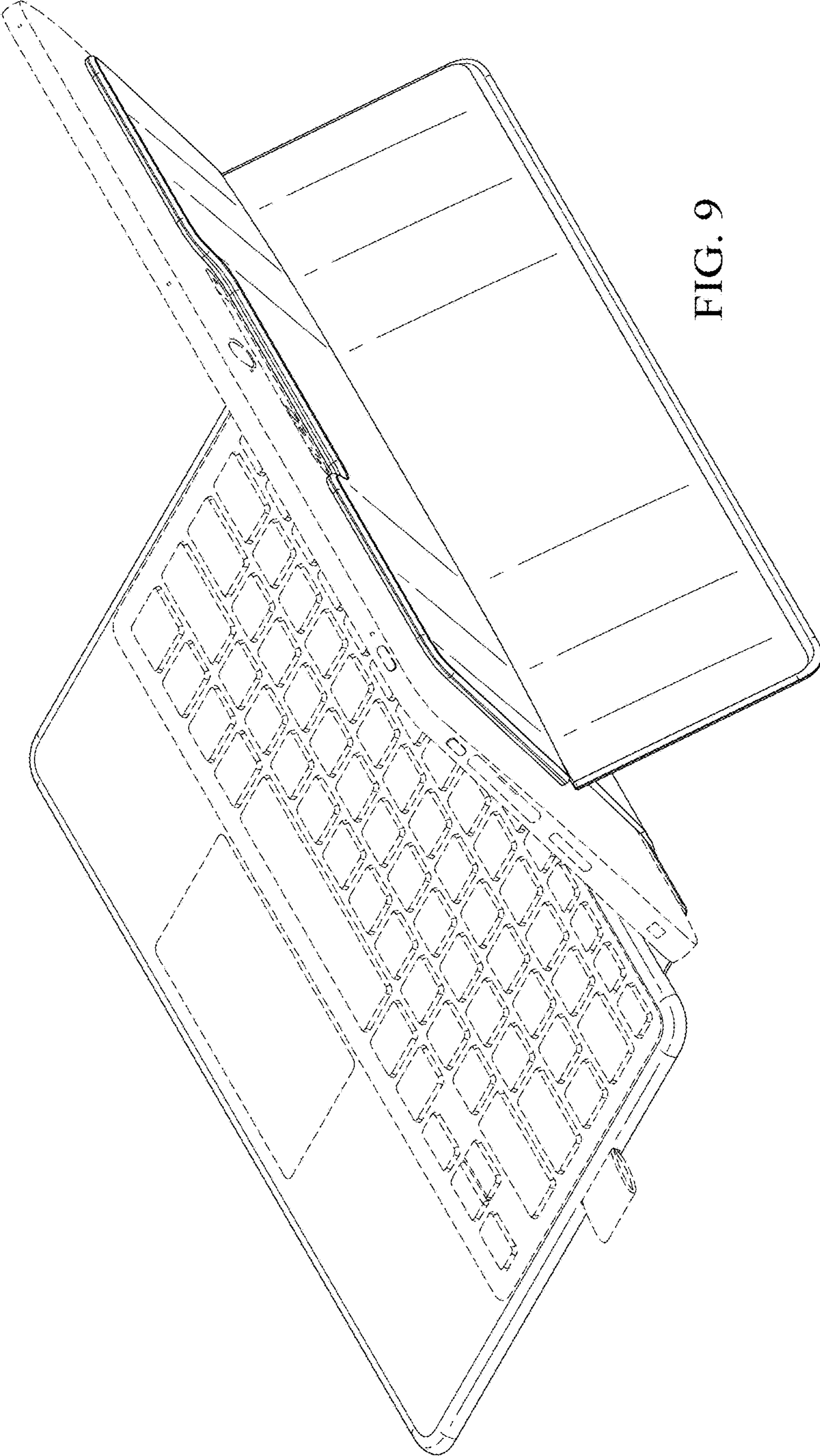


FIG. 9

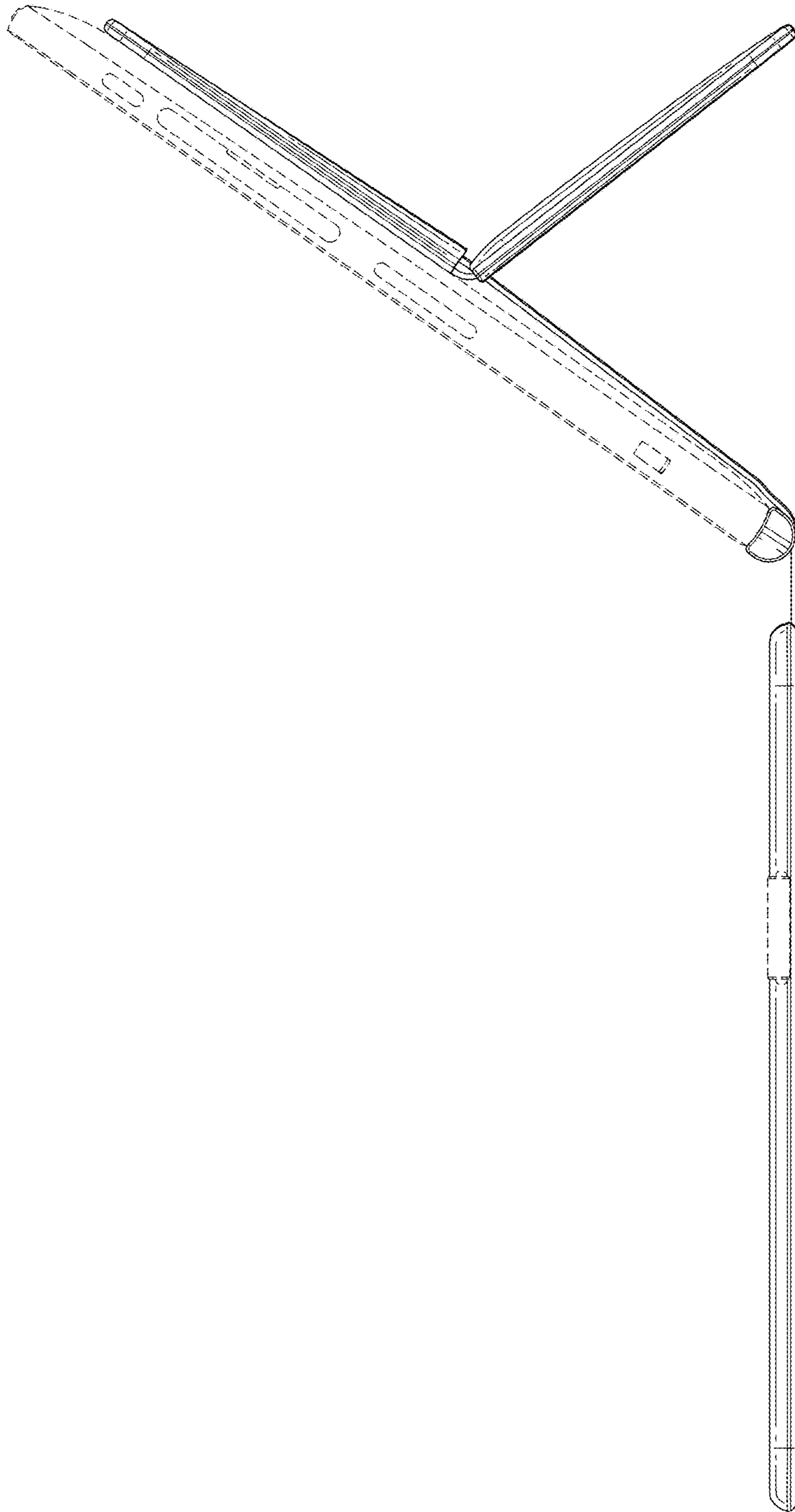


FIG. 10