



US00D799490S

(12) **United States Design Patent**
Dripps et al.

(10) **Patent No.:** **US D799,490 S**

(45) **Date of Patent:** **** Oct. 10, 2017**

(54) **ELECTRONIC DEVICE COVER**

(71) Applicant: **Jolt Team Inc.**, Menlo Park, CA (US)

(72) Inventors: **John David Dripps**, Menlo Park, CA (US); **Brett Miller**, Menlo Park, CA (US)

(73) Assignee: **Jolt Team Inc.**, Menlo Park, CA (US)

(**) Term: **15 Years**

(21) Appl. No.: **29/536,057**

(22) Filed: **Aug. 13, 2015**

(51) **LOC (10) Cl.** **14-02**

(52) **U.S. Cl.**
USPC **D14/440**

(58) **Field of Classification Search**
USPC D14/440, 250, 447; 206/45.23, 320, 206/45.2; 361/679.55; 294/25; 224/218
CPC G06F 1/1628; G06F 1/1626; G06F 1/1667; A47B 23/044; H04B 1/3888; A45C 11/00; A45C 3/02; H05K 5/0217
See application file for complete search history.

(56) **References Cited**

U.S. PATENT DOCUMENTS

3,461,009	A *	8/1969	Snyder	B29C 33/0011
					156/242
D244,632	S *	6/1977	Christiansen	D21/491
D260,568	S *	9/1981	Cherry	D3/314
5,908,265	A *	6/1999	Mostkoff	A01K 61/006
					405/21
6,443,796	B1 *	9/2002	Shackelford	A63H 33/042
					273/237
D467,429	S *	12/2002	Bone	D3/294
D525,986	S *	8/2006	Kim	D14/203.3
D528,126	S *	9/2006	Kim	D14/203.3
D581,726	S *	12/2008	Shamoon	D7/387
D607,826	S *	1/2010	Shaw	D13/133
D607,827	S *	1/2010	Shaw	D13/133

D614,250	S *	4/2010	Frederiksen	D21/501
8,124,216	B2 *	2/2012	Antonini	B32B 3/00
					150/154
D656,929	S *	4/2012	Hsiung	D14/250
D673,159	S *	12/2012	McCarthy	D14/440
D683,409	S *	5/2013	Lomax	D21/485
8,477,931	B2	7/2013	Thompson et al.		
D694,222	S	11/2013	Thompson et al.		
D694,226	S	11/2013	Thompson et al.		
D695,464	S *	12/2013	Hardy, III	D29/122
D714,791	S *	10/2014	Liu	D14/440

(Continued)

OTHER PUBLICATIONS

Complaint for *Pono Paani, LLC v. Jolt Team, Inc.*, Civil Action No. 1:15-cv-871, United States District Court, Western of Texas, Austin Division, Sep. 29, 2015, 8 pages.

(Continued)

Primary Examiner — Cynthia Underwood
(74) *Attorney, Agent, or Firm* — Amin, Turocy & Watson, LLP

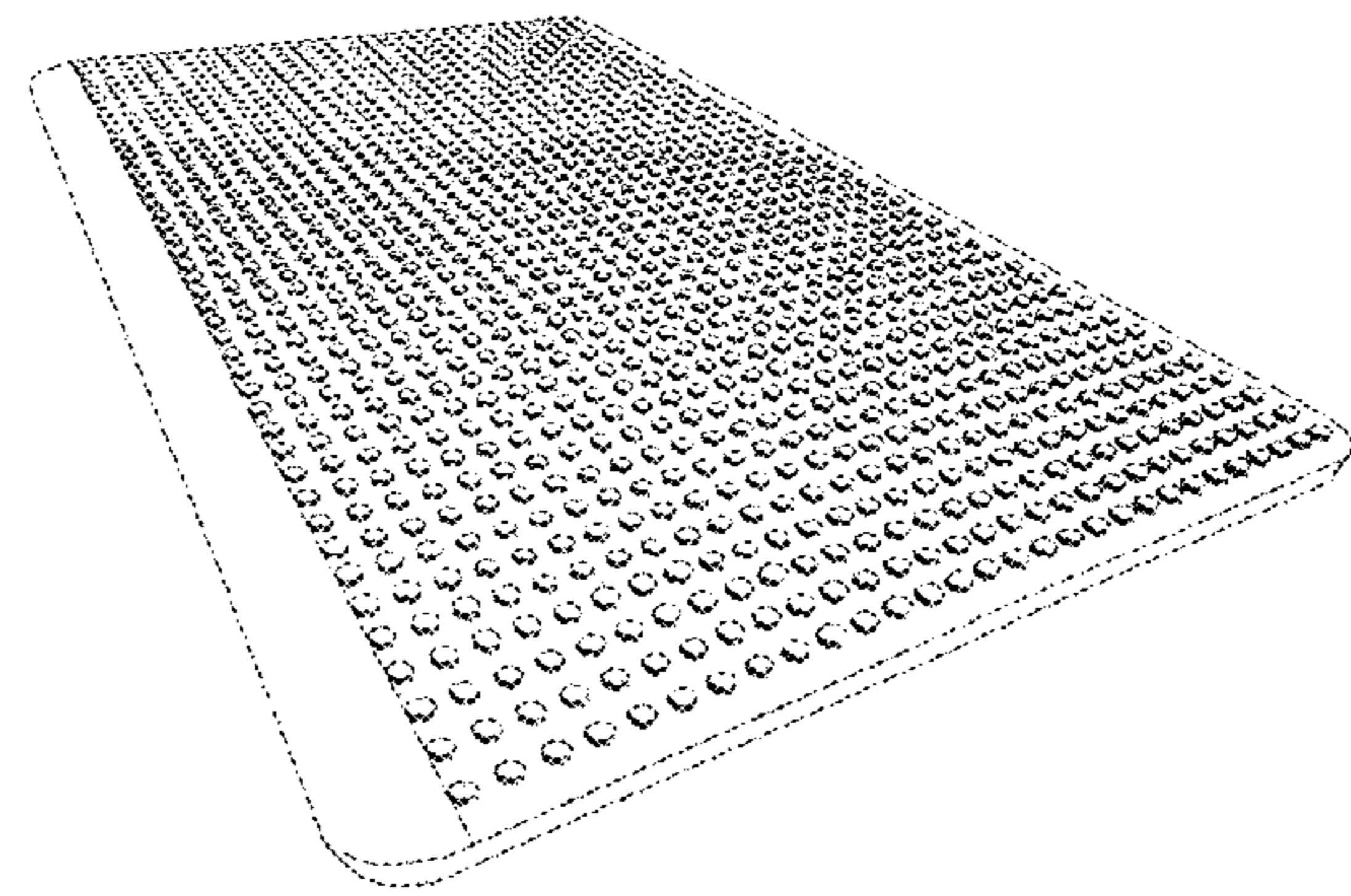
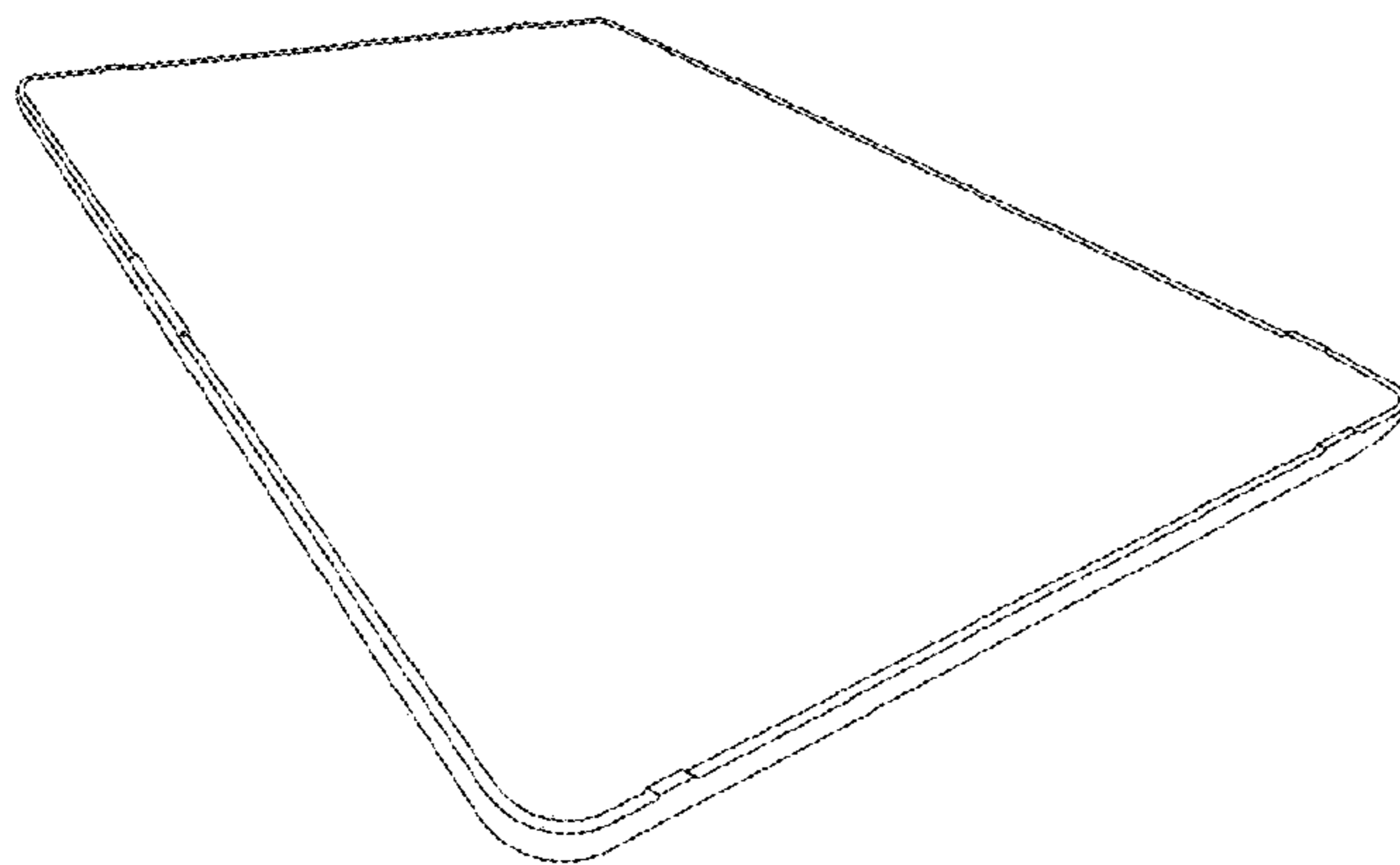
(57) **CLAIM**

The ornamental design for an electronic device cover, substantially as shown and described.

DESCRIPTION

FIG. 1 is a rear perspective view of a electric device cover showing our new design.
FIG. 2 is a front view thereof.
FIG. 3 is a rear view thereof.
FIG. 4 is a bottom plan view thereof.
FIG. 5 is a top plan view thereof.
FIG. 6 is a left side plan view thereof.
FIG. 7 is a right side plan view thereof; and,
FIG. 8 is a front perspective view thereof.
The broken lines represent portions of the structure that forms no part of the claim.

1 Claim, 8 Drawing Sheets



(56)

References Cited

U.S. PATENT DOCUMENTS

9,044,689 B2 6/2015 Thompson et al.
D736,862 S * 8/2015 Karunaratne D21/491
D740,113 S * 10/2015 Olenick D8/399
D742,740 S * 11/2015 Kim D9/433
D748,203 S * 1/2016 Karunaratne D21/491
D754,602 S * 4/2016 Capriola D13/110
D754,652 S * 4/2016 Roberts D14/250
2012/0261289 A1 * 10/2012 Wyner A45C 11/00
206/320
2014/0158645 A1 * 6/2014 Thomas B43K 23/001
211/13.1
2016/0119011 A1 * 4/2016 Thompson H04M 1/0283
455/575.1

OTHER PUBLICATIONS

Request for Ex Parte Reexamination for U.S. Appl. No. 9,044,689,
Jun. 16, 2015, 43 pages.

Request for Ex Parte Reexamination for U.S. Appl. No. 8,477,931,
Jun. 3, 2015, 46 pages.

* cited by examiner

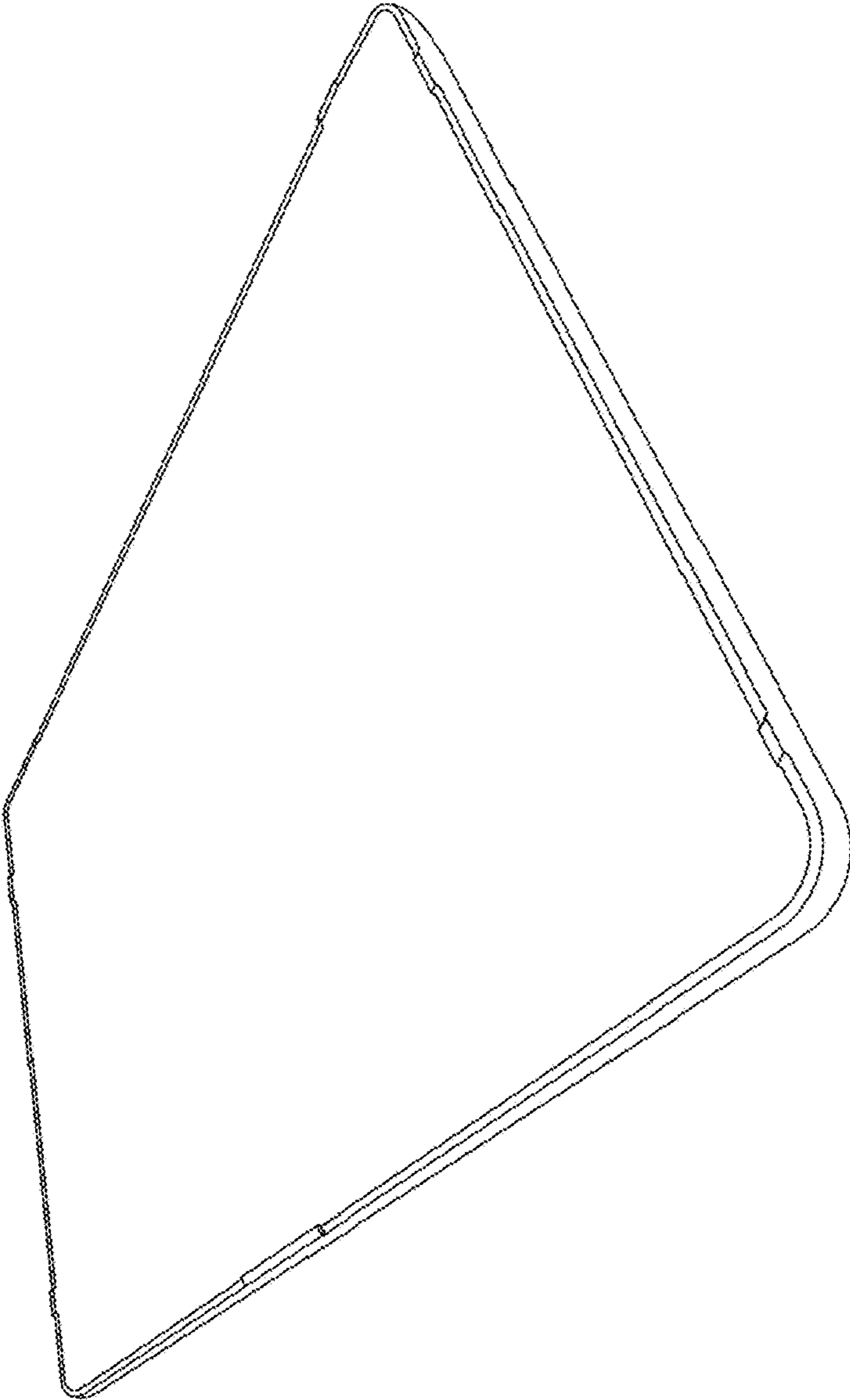


FIG. 1

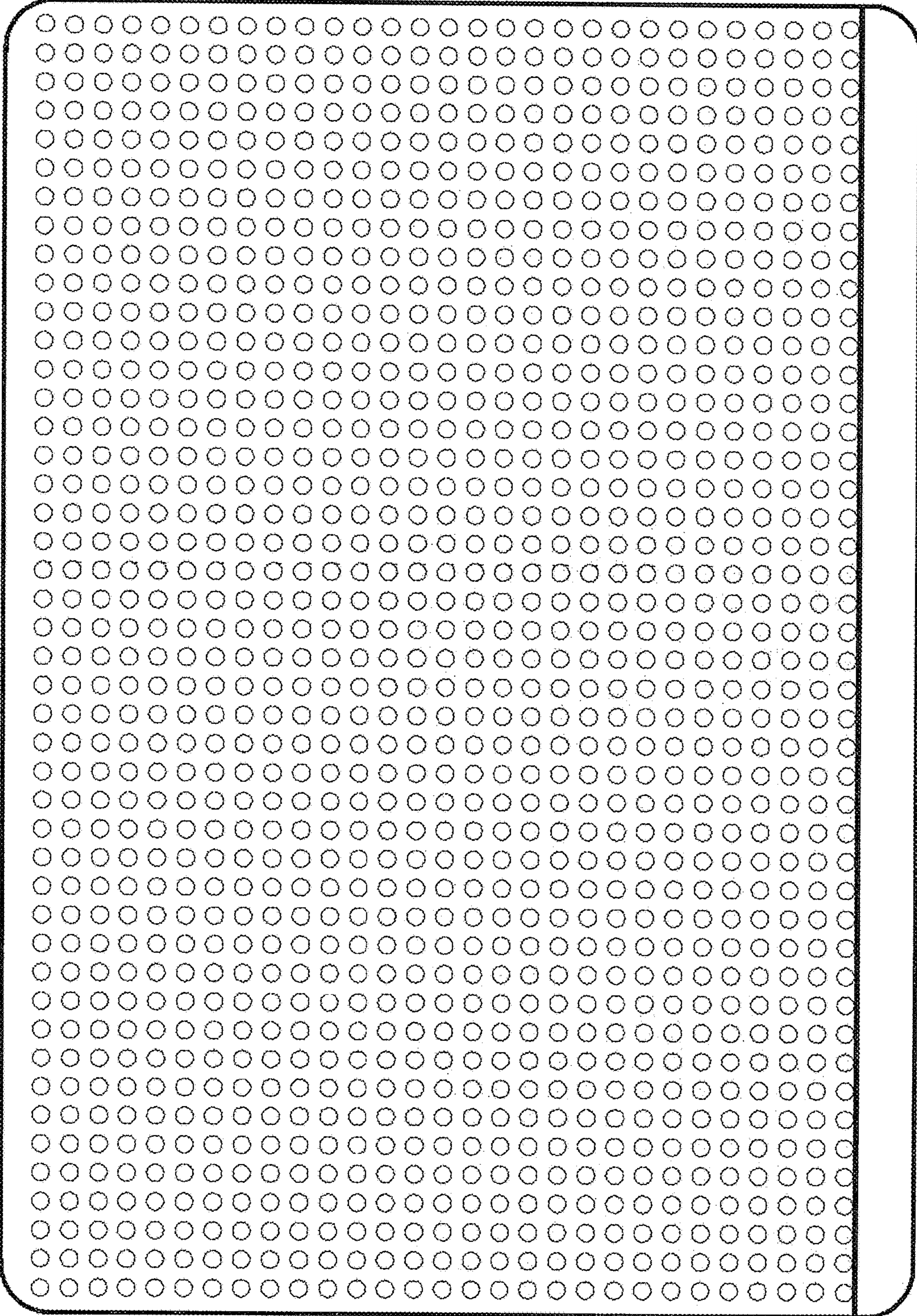


FIG. 2

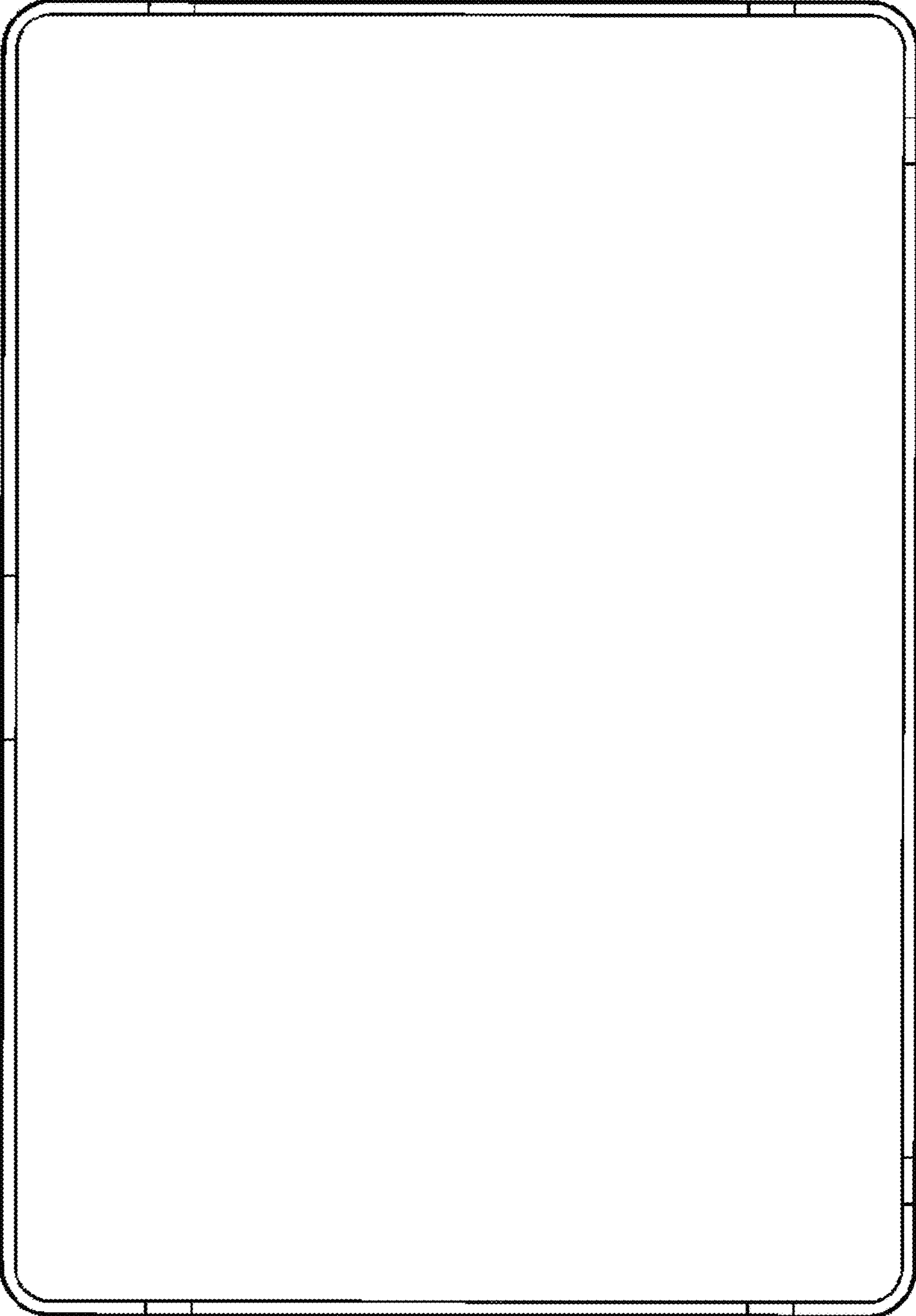


FIG. 3



FIG. 4



FIG. 5



FIG. 6

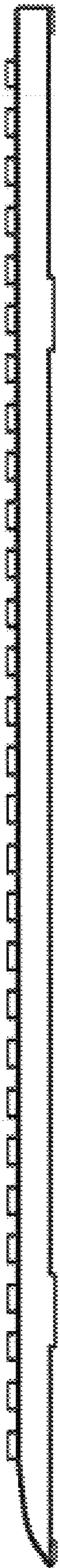


FIG. 7

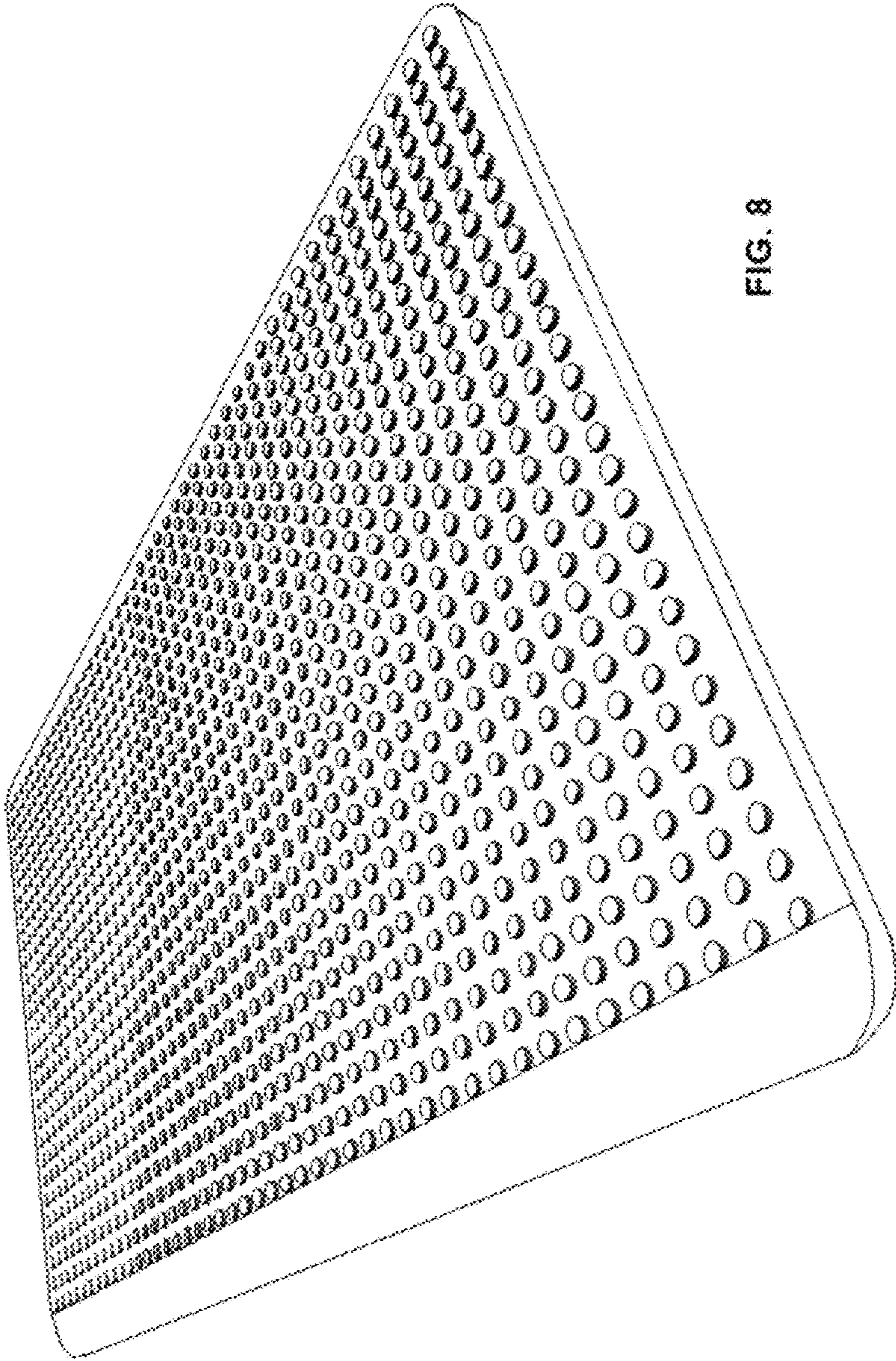


FIG. 8