



US00D799483S

(12) **United States Design Patent**
Won et al.

(10) **Patent No.:** **US D799,483 S**
(45) **Date of Patent:** **** Oct. 10, 2017**

(54) **MONITOR**

(71) Applicant: **Samsung Electronics Co., Ltd.**,
Suwon-si, Gyeonggi-do (KR)

(72) Inventors: **Tae-Yeon Won**, Seoul (KR); **Min-Joon Jung**, Seoul (KR)

(73) Assignee: **SAMSUNG ELECTRONICS CO., LTD.**, Gyeonggi-Do (KR)

(**) Term: **15 Years**

(21) Appl. No.: **29/563,396**

(22) Filed: **May 4, 2016**

(30) **Foreign Application Priority Data**

Nov. 6, 2015 (KR) 30-2015-0056117

(51) **LOC (10) Cl.** **14-02**

(52) **U.S. Cl.**
USPC **D14/376**

(58) **Field of Classification Search**
USPC D14/371-375, 125-129, 336, 337, 341, D14/239; 341/12; 345/104, 156, 168, 345/173; 348/180, 184, 325, 739; 349/1, 349/2, 11, 62; 361/679.05-679.07, 361/679.21; D6/300, 308
CPC G06F 1/16; G06F 1/1601; G06F 3/037; G06F 1/162; G06F 1/1613; G06F 1/133308; F16M 11/02; F16M 11/10; F16M 11/00; F16M 11/06; F16M 11/18; F16M 11/045; F16M 11/105; F16M 11/041; F16M 11/126; F16M 11/04; F16M 13/02; F16M 11/24; A47F 5/00
See application file for complete search history.

(56) **References Cited**

U.S. PATENT DOCUMENTS

6,837,469 B2 * 1/2005 Wu F16M 11/126
248/278.1
D521,996 S * 5/2006 Kim D14/375

7,384,019 B2 * 6/2008 Choi F16M 11/041
248/136

D575,783 S 8/2008 Hean et al.
D704,156 S * 5/2014 Lee D14/126

(Continued)

FOREIGN PATENT DOCUMENTS

CN 3626937 3/2007
EM 0013664050001 4/2013

(Continued)

Primary Examiner — Freda S Nunn

(74) *Attorney, Agent, or Firm* — Cantor Colburn LLP

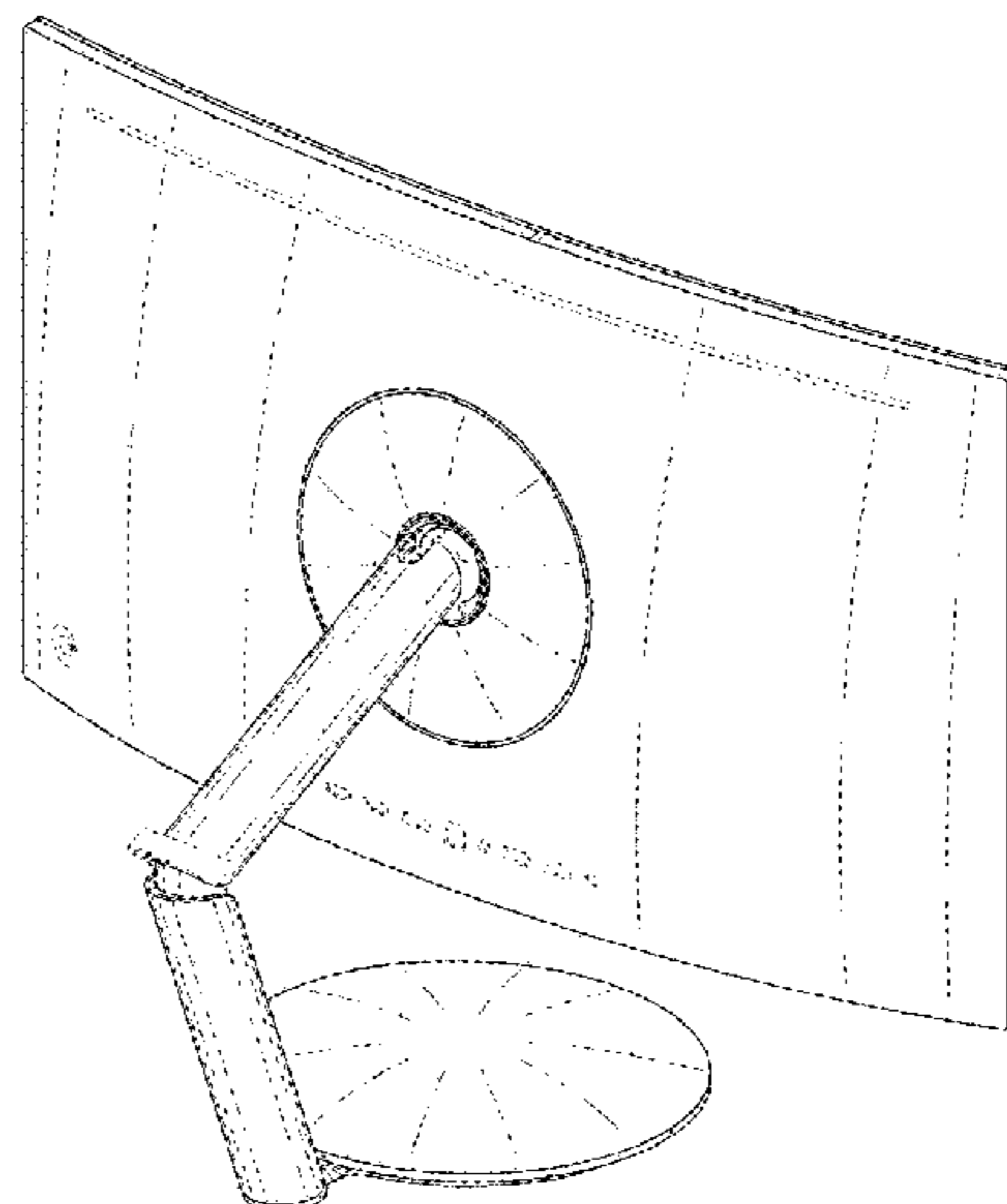
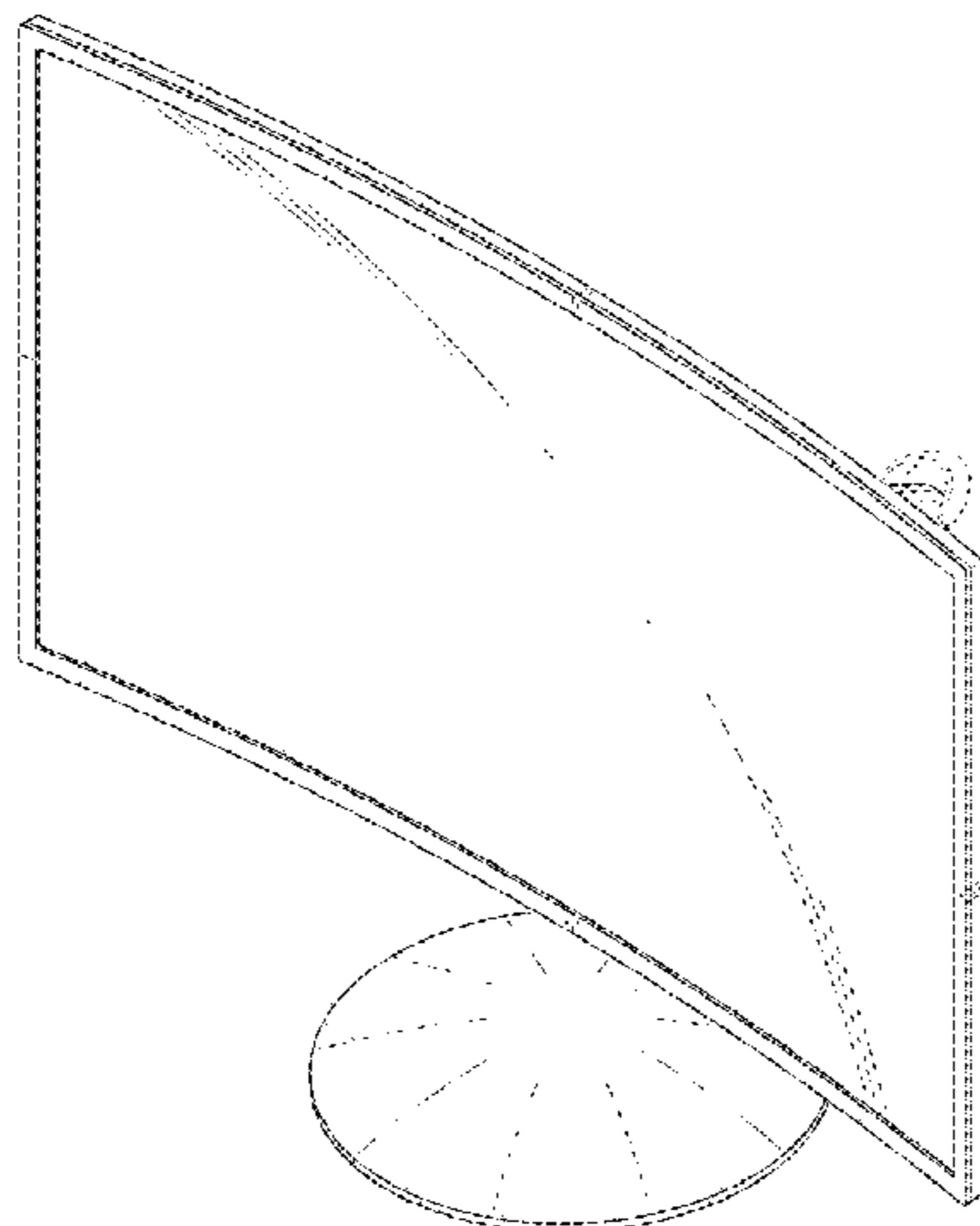
(57) **CLAIM**

The ornamental design for a monitor, as shown and described.

DESCRIPTION

FIG. 1 is a perspective view of a monitor showing our new design;
FIG. 2 is a front view thereof;
FIG. 3 is a rear view thereof;
FIG. 4 is a left-side view thereof;
FIG. 5 is a right-side view thereof;
FIG. 6 is a top plan view thereof;
FIG. 7 is a bottom plan view thereof;
FIG. 8 is a rear perspective view thereof;
FIG. 9 is another right side view thereof as shown in another configuration;
FIG. 10 is another right side view thereof as shown in another configuration;
FIG. 11 is another right side view thereof as shown in another configuration; and,
FIG. 12 is another right side view thereof as shown in another configuration.
The broken lines illustrating portions of the monitor form no part of the claimed design.

1 Claim, 12 Drawing Sheets



(56)

References Cited

U.S. PATENT DOCUMENTS

9,316,346 B2 * 4/2016 Lau F16M 11/126
2004/0021051 A1 * 2/2004 Chiu F16M 11/10
248/371
2004/0217244 A1 * 11/2004 Wu F16M 11/126
248/278.1
2009/0090831 A1 * 4/2009 Henning F16C 11/10
248/278.1
2012/0267497 A1 * 10/2012 Bowman F16M 11/10
248/280.11
2012/0292463 A1 * 11/2012 Burns F16M 11/041
248/125.8

FOREIGN PATENT DOCUMENTS

JP D1179142 S 7/2003
KR 300757709 8/2014

* cited by examiner

FIG. 1

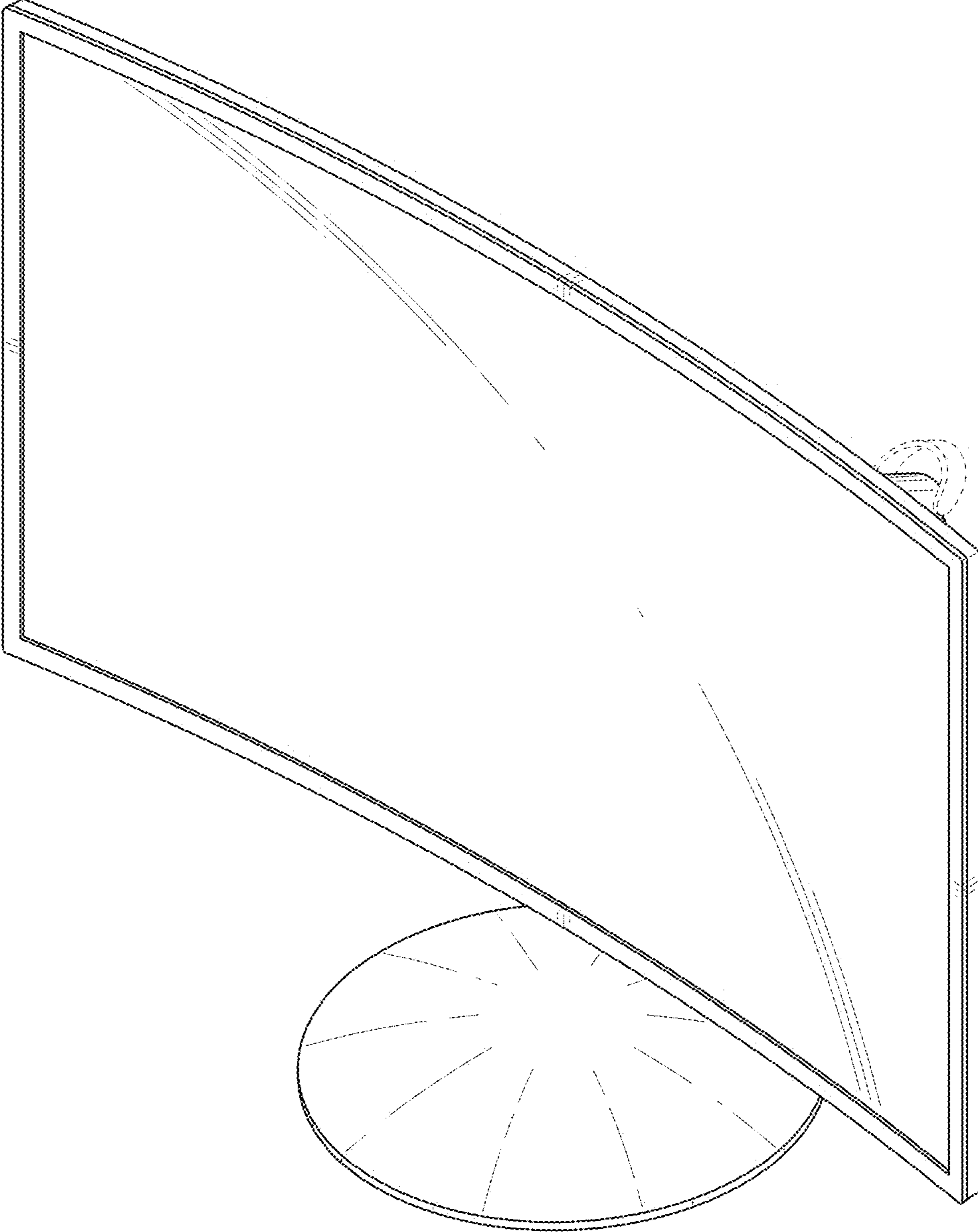


FIG. 2

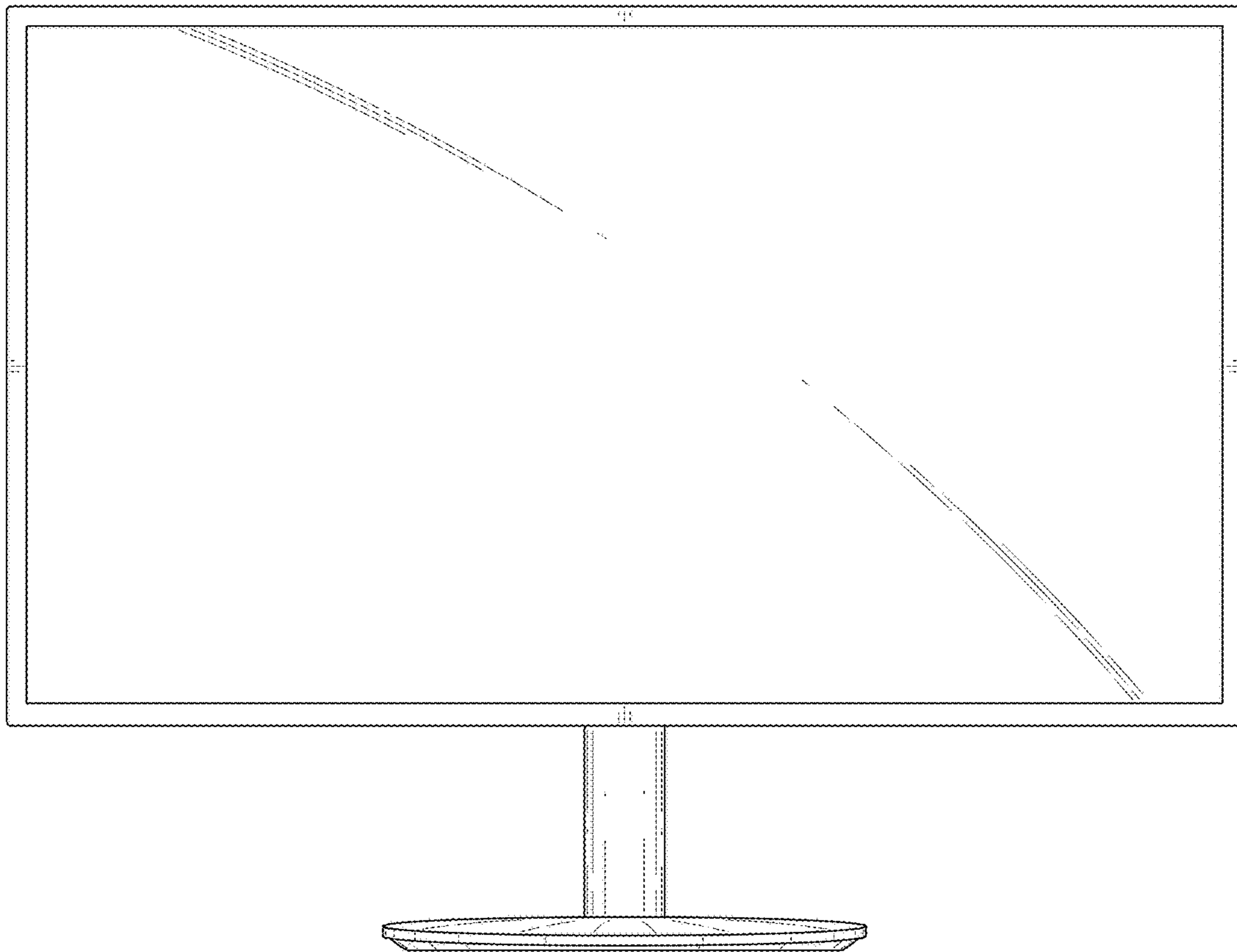


FIG. 3

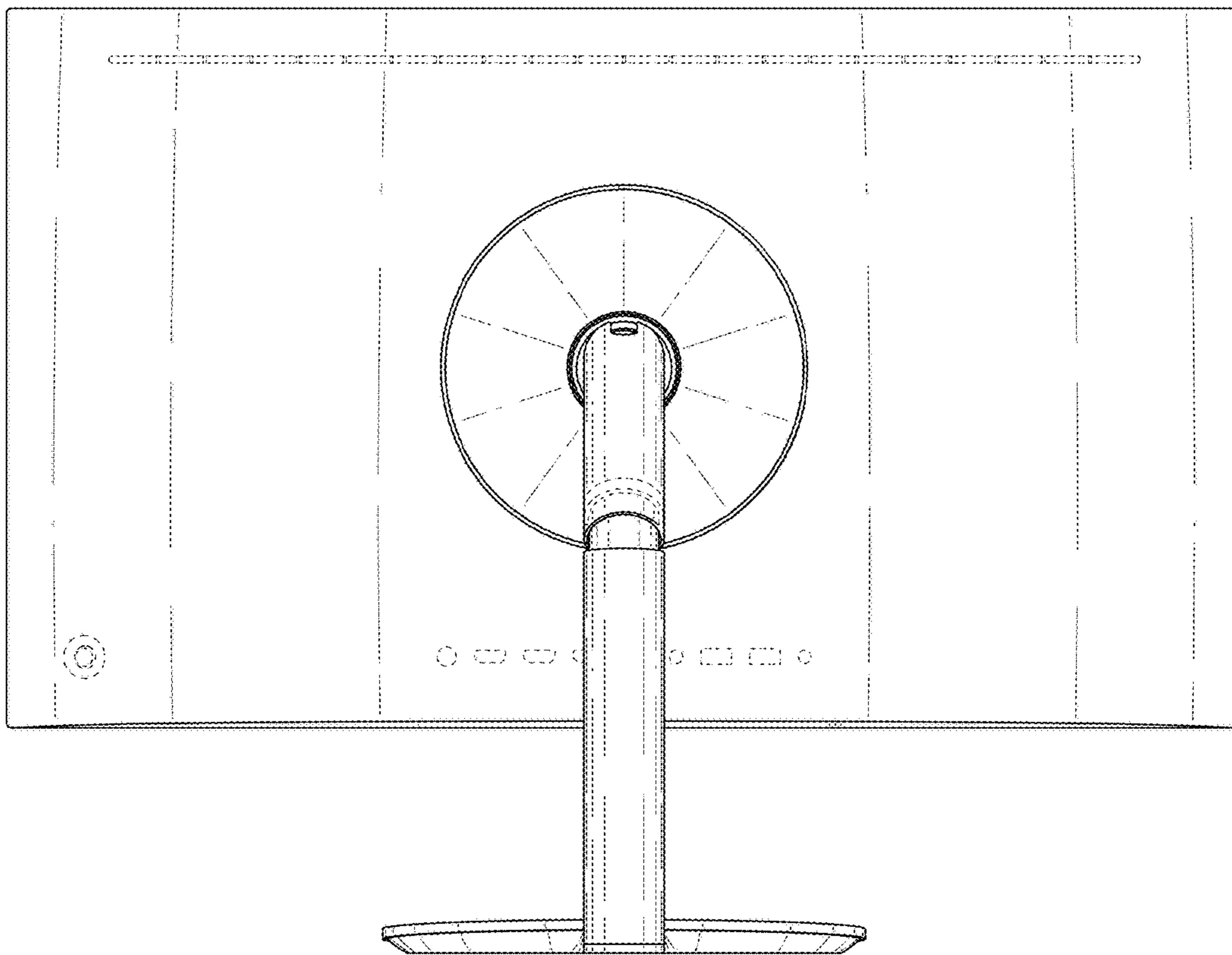


FIG. 4

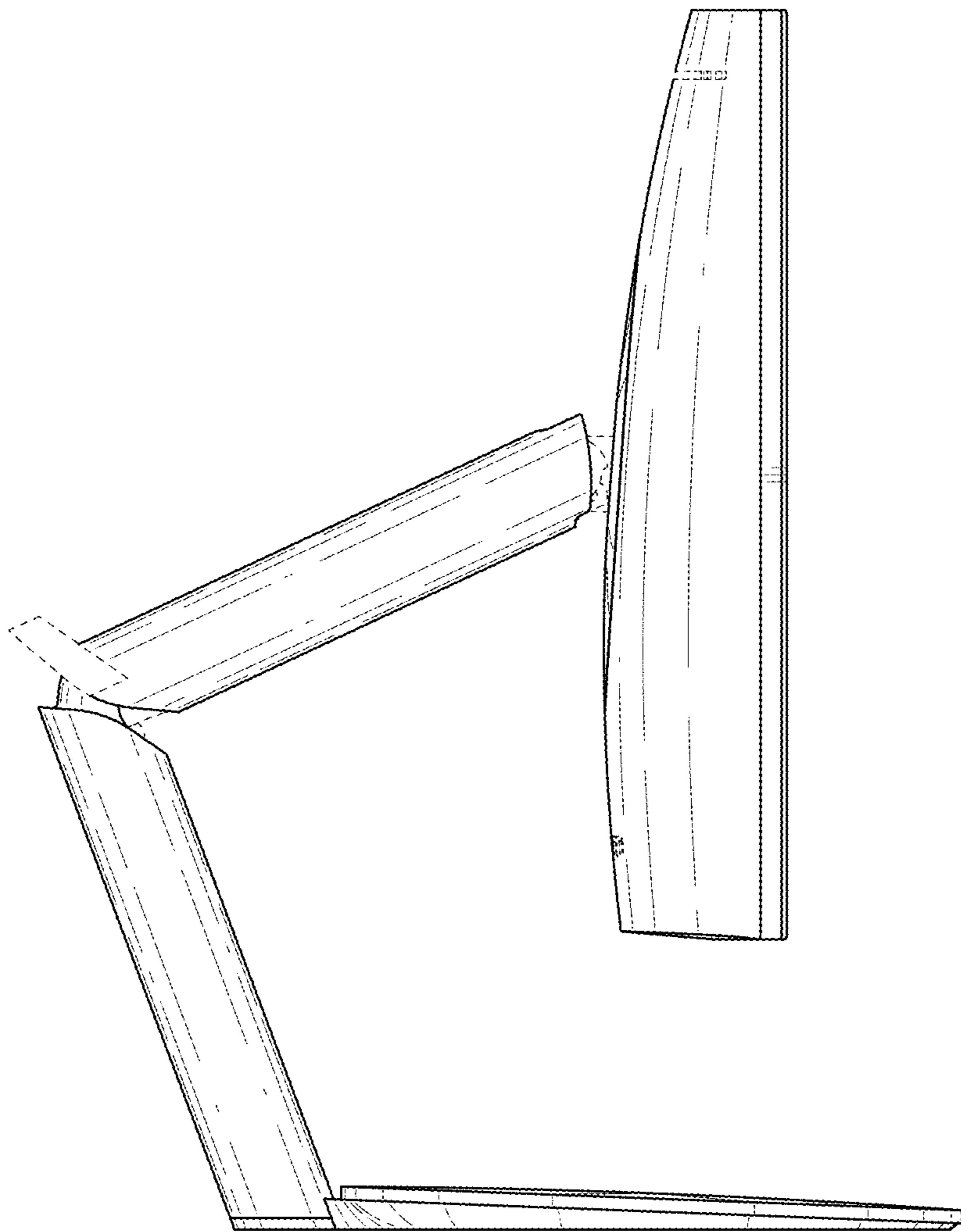


FIG. 5

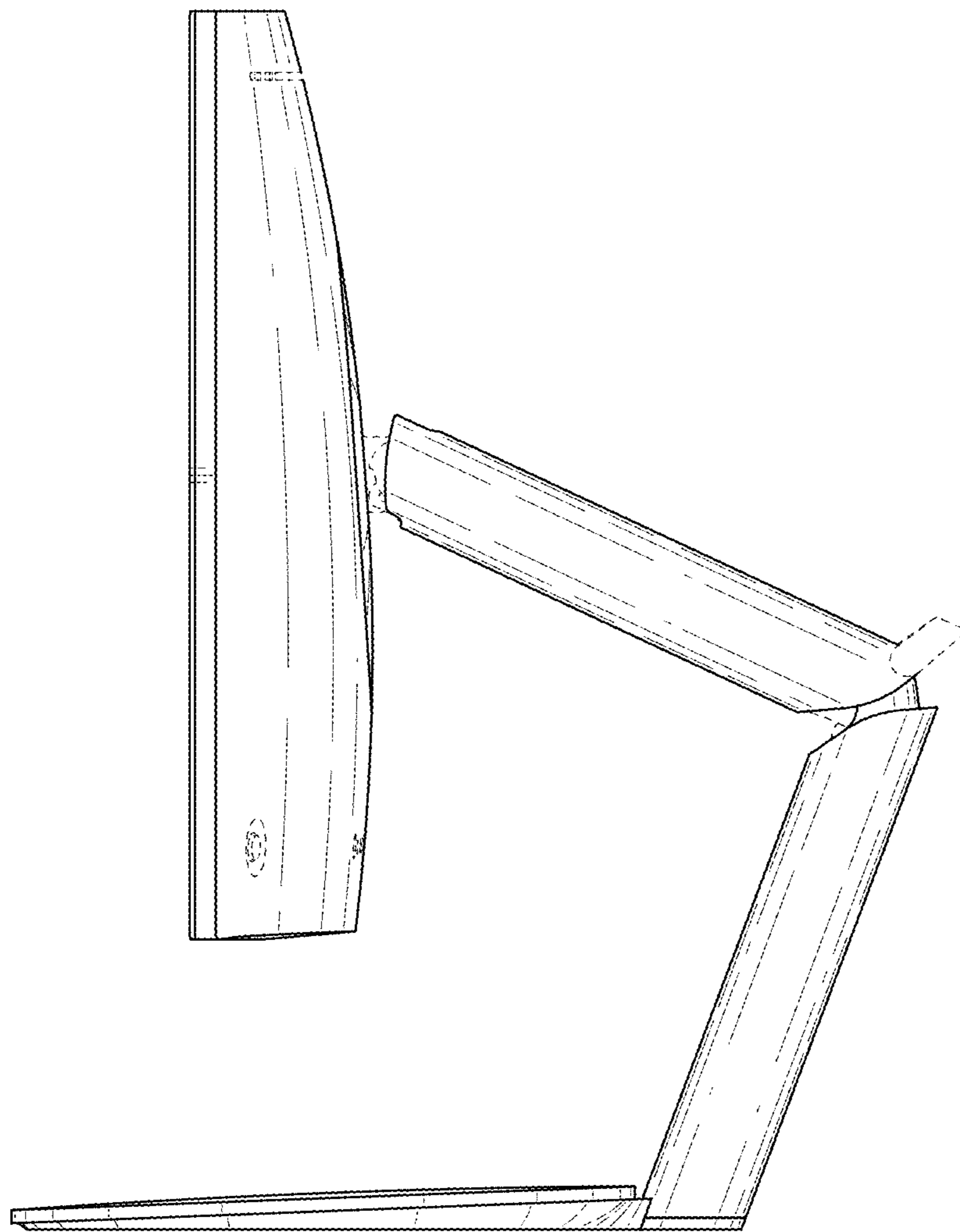


FIG. 6

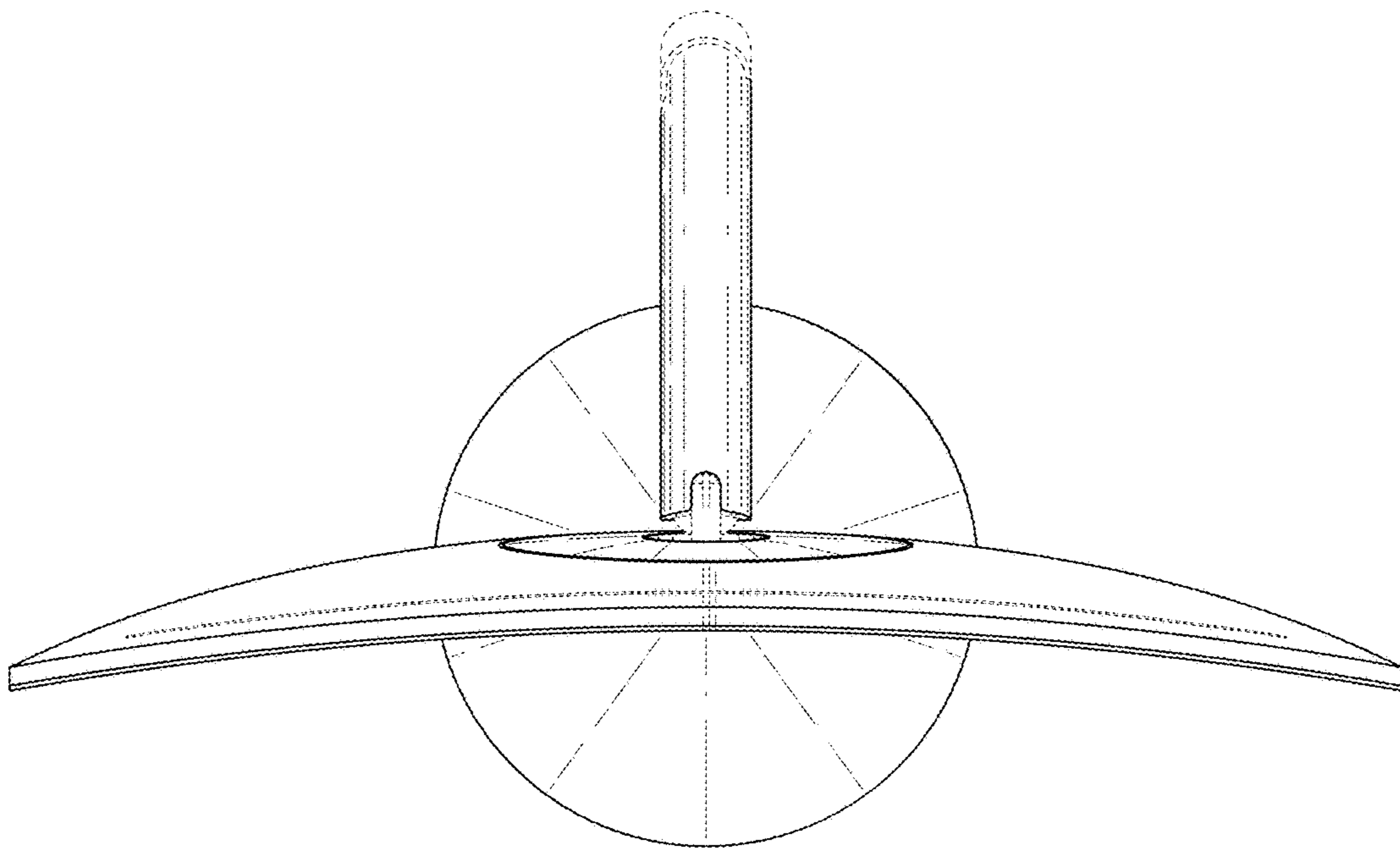


FIG. 7

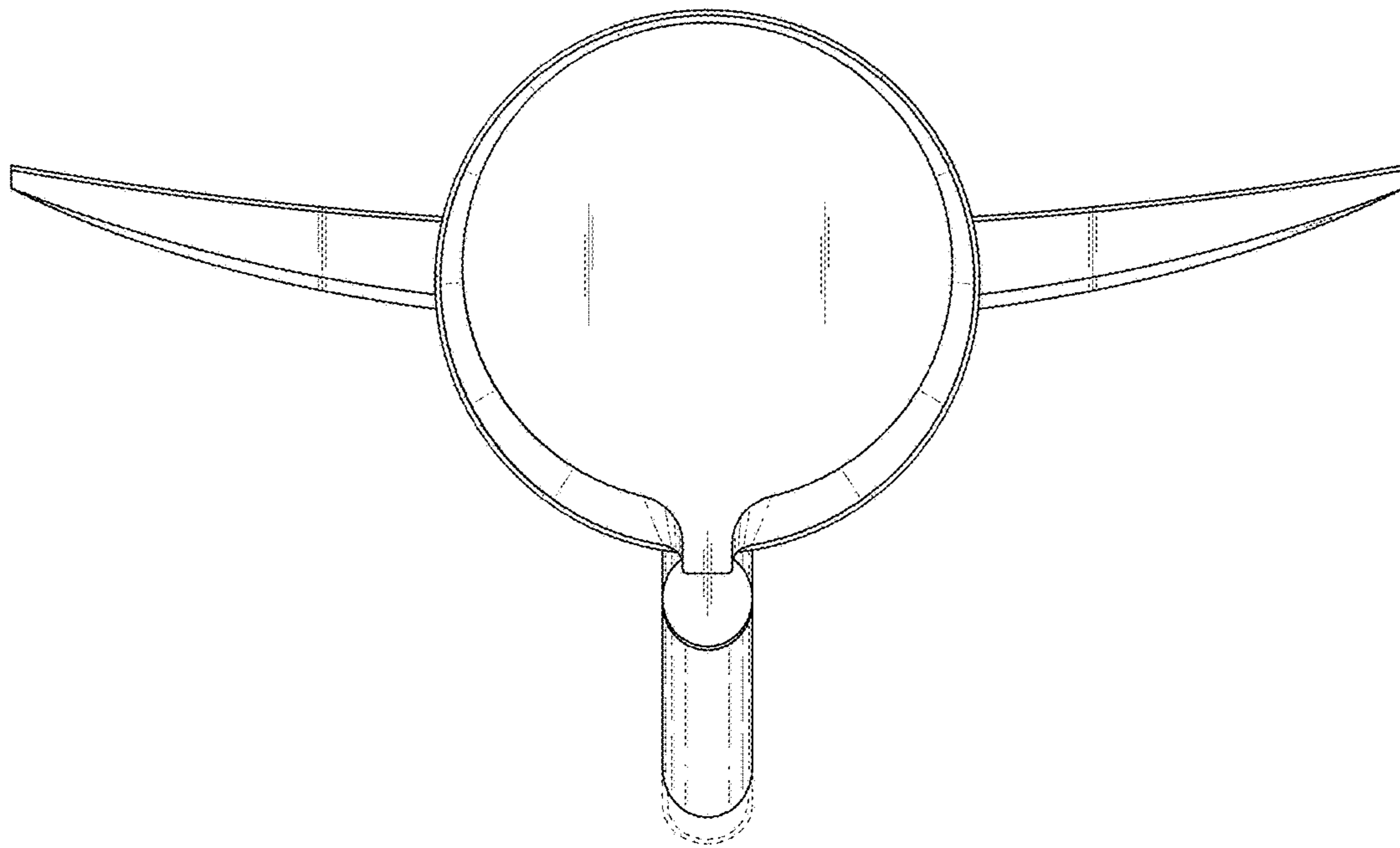


FIG. 8

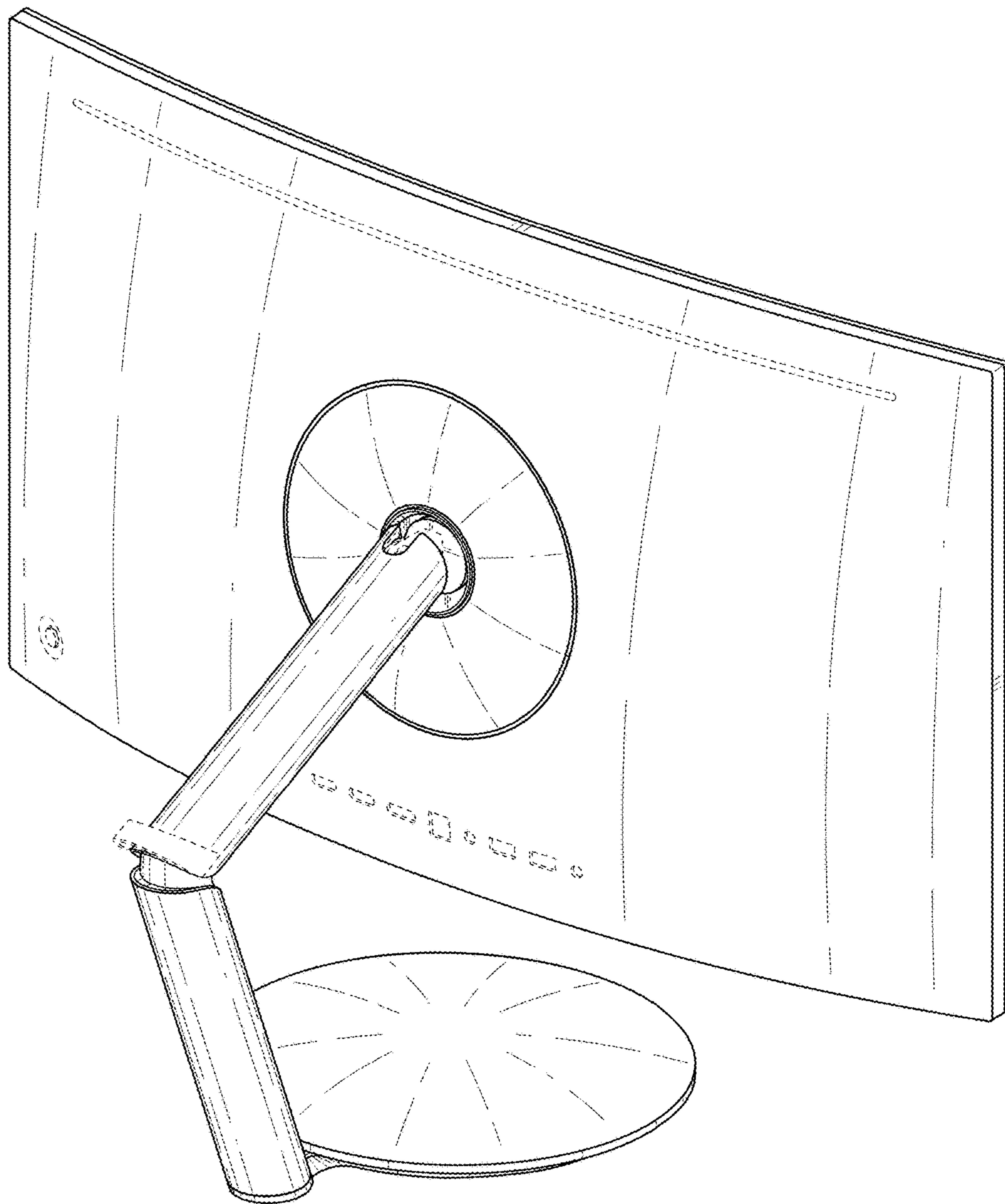


FIG. 9

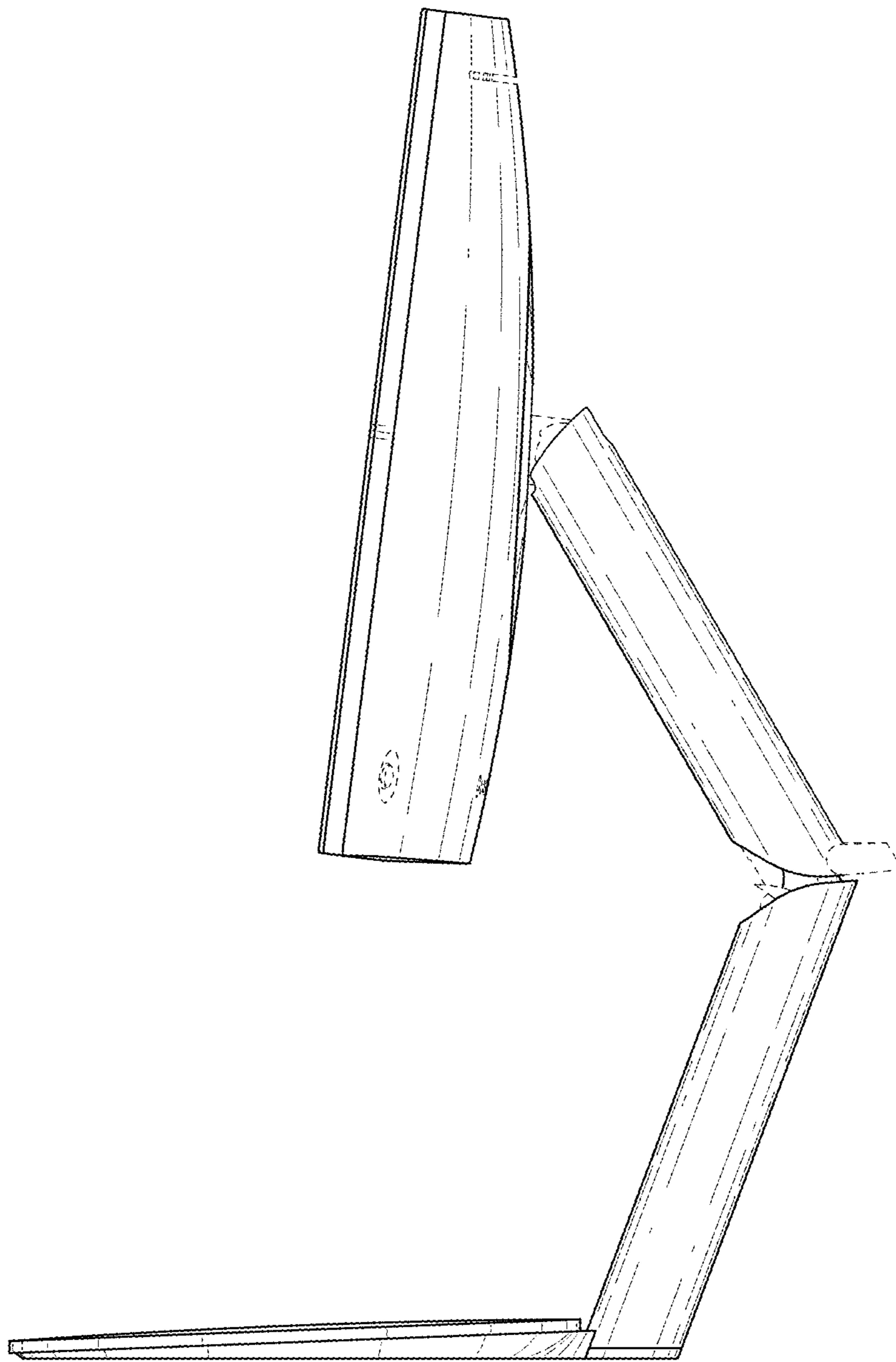


FIG. 10

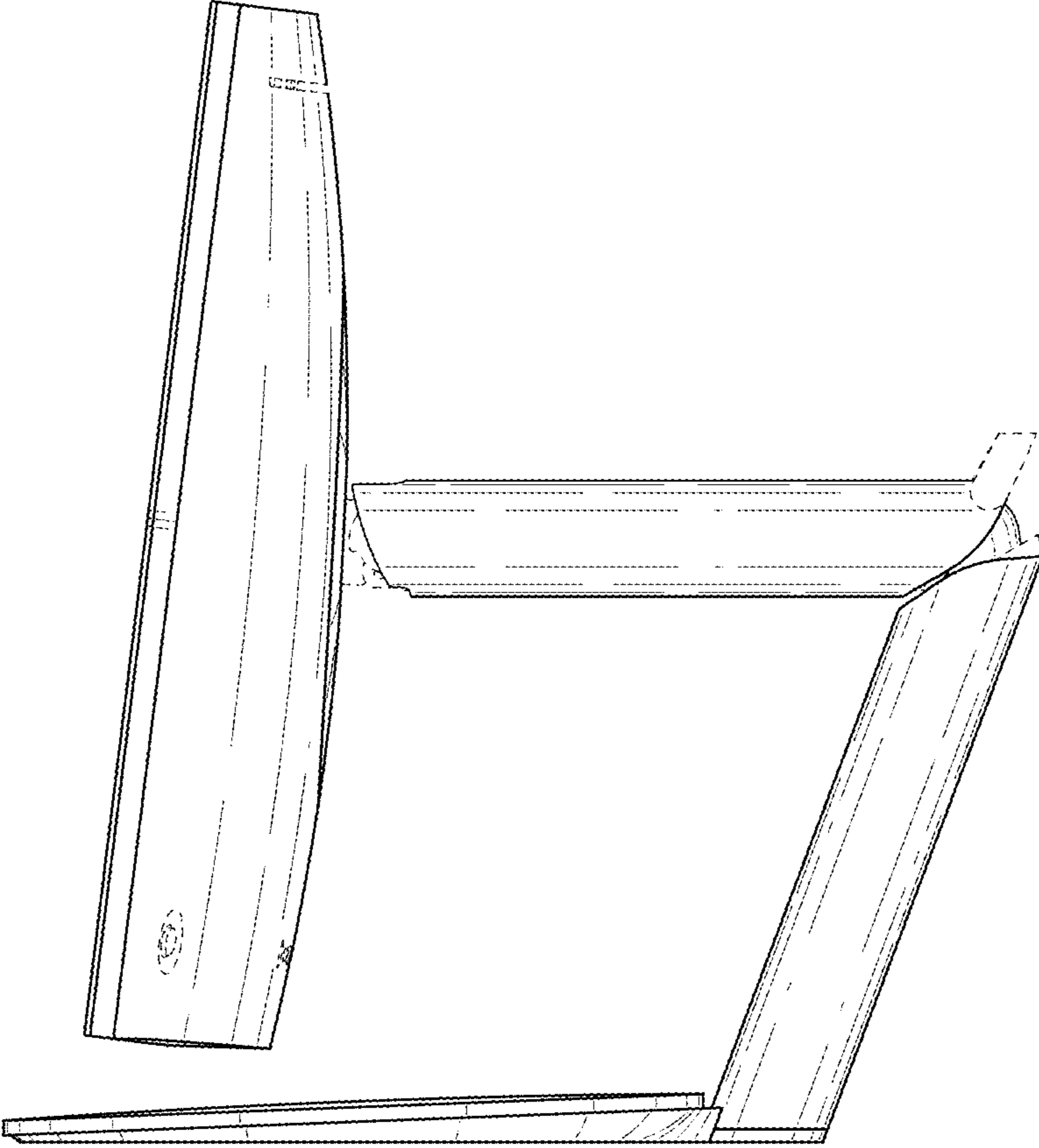


FIG. 11

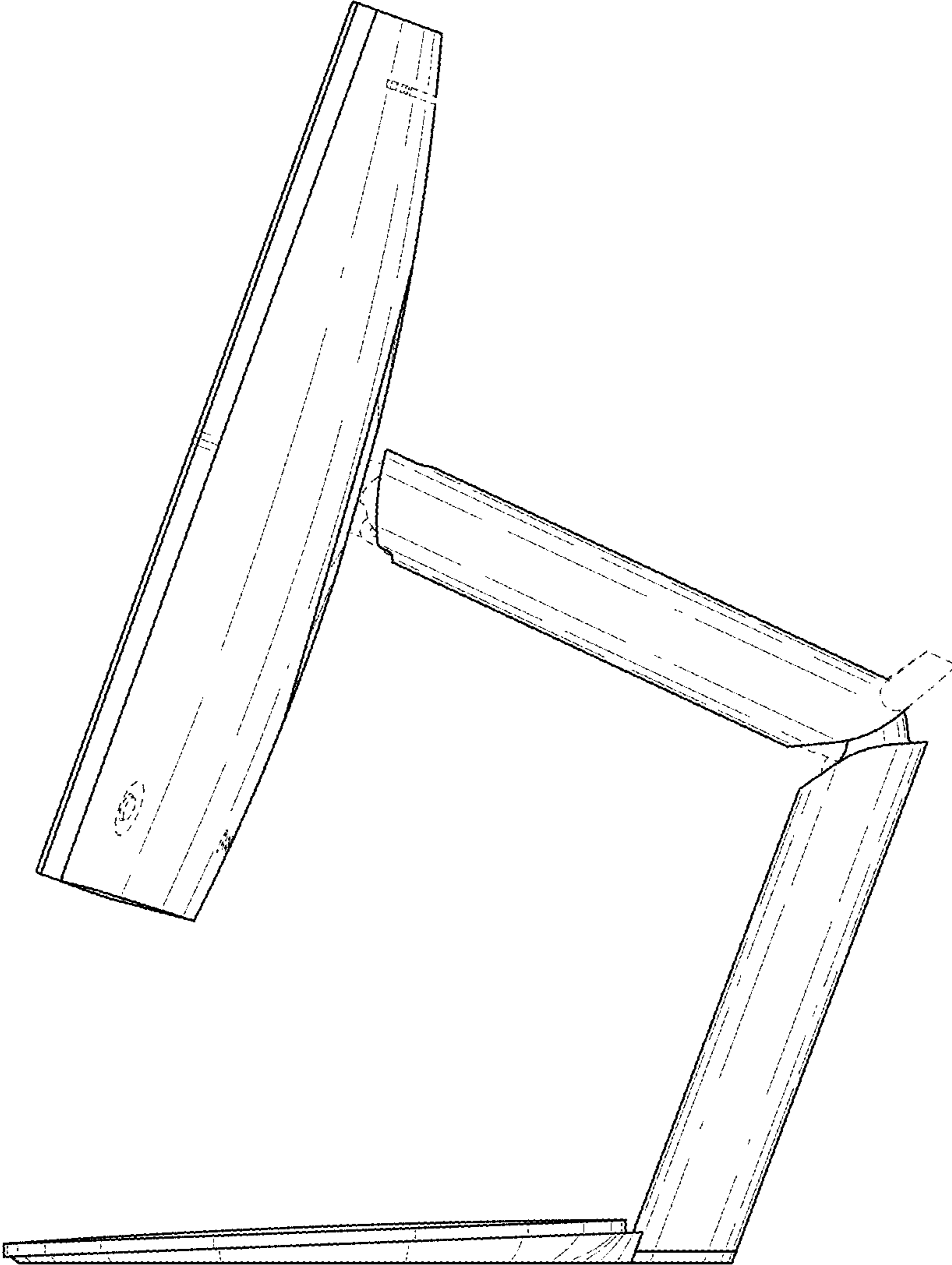


FIG. 12

