



US00D799478S

(12) **United States Design Patent**
Kachi et al.

(10) **Patent No.:** **US D799,478 S**

(45) **Date of Patent:** **** Oct. 10, 2017**

(54) **WEARABLE INFORMATION TERMINAL**

(71) Applicant: **CASIO KEISANKI KABUSHIKI KAISHA**, Shibuya-ku, Tokyo (JP)

(72) Inventors: **Koji Kachi**, Tokyo (JP); **Seiji Murakami**, Kanagawa (JP); **Shigeru Hanagata**, Tokyo (JP)

(73) Assignee: **CASIO KEISANKI KABUSHIKI KAISHA**, Tokyo (JP)

(**) Term: **15 Years**

(21) Appl. No.: **29/547,475**

(22) Filed: **Dec. 3, 2015**

(51) **LOC (10) Cl.** **14-02**

(52) **U.S. Cl.**
USPC **D14/344**

(58) **Field of Classification Search**
USPC D2/623, 626, 639, 878; D8/88, 356;
D10/30-39, 70, 98; D11/3, 87, 93-94,
D11/200, 201, 210, 216, 218, 221,
D11/230-231; D14/344, 138 R, 144,
D14/358; D24/167, 169, 186-187
CPC G06F 1/163; G06F 1/1628; G06F 1/1626;
G06F 1/1635; G06F 1/08; G06F 1/10;
G06F 1/04; G06F 1/14; G06F 1/3203;
A41D 1/002; H04M 1/02; H04M 1/03;
H04M 1/04; H04M 1/05; H04M 1/667;
Y02B 60/1217; H04B 1/385; H04B
1/3888; G06Q 20/10; G06Q 20/108;
G06Q 20/12; G06Q 20/145
See application file for complete search history.

(56) **References Cited**

U.S. PATENT DOCUMENTS

D323,299 S * 1/1992 Wakamatsu D10/10
D464,891 S * 10/2002 Ramos, Jr. D10/30

D594,764 S * 6/2009 Ahlstrom D10/31
D595,157 S * 6/2009 Chen D10/38
D657,697 S * 4/2012 Lammers-Meis D10/31
D681,482 S * 5/2013 Ramos, Jr. D10/38
D707,571 S * 6/2014 Cerrato D10/38
D751,420 S * 3/2016 Nakai D10/126
D754,549 S * 4/2016 Takahashi D10/128

OTHER PUBLICATIONS

Mise à jour du logiciel Ambit, posted Oct. 4, 2012, [retrieved Jan. 8, 2017]. Retrieved from Internet, <URL: <http://www.lepape-info.com/equipement/mise-a-jour-du-logiciel-ambit/>>.*

(Continued)

Primary Examiner — Karen Kearney

Assistant Examiner — Kristin E Reed

(74) *Attorney, Agent, or Firm* — Holtz, Holtz & Volek PC

(57) **CLAIM**

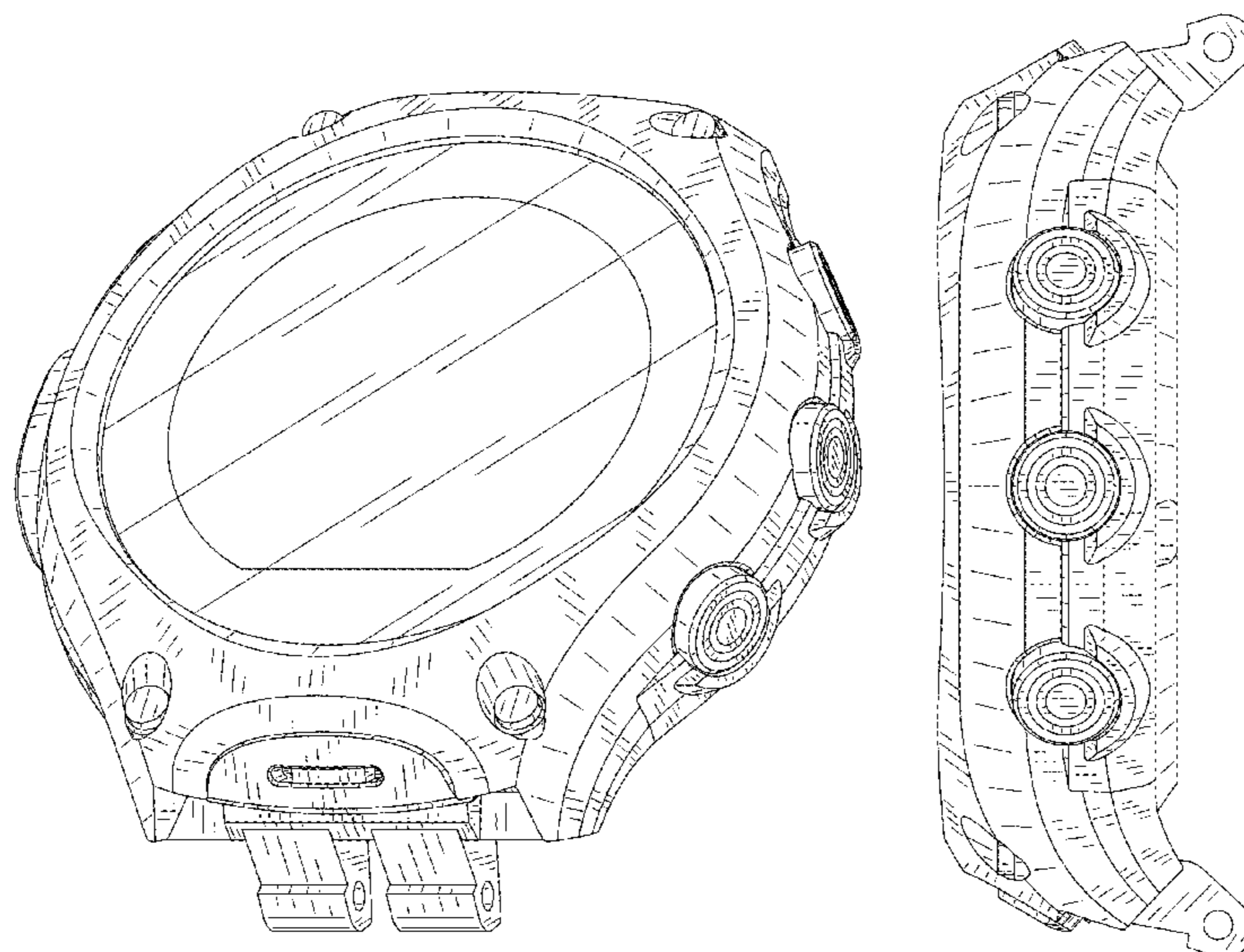
The ornamental design for a wearable information terminal, as shown and described.

DESCRIPTION

FIG. 1 is a front, right side, bottom perspective view of a wearable information terminal showing our new design; FIG. 2 is a front elevational view thereof; FIG. 3 is a rear elevational view thereof; FIG. 4 is a left side view thereof; FIG. 5 is a right side view thereof; FIG. 6 is a top plan view thereof; FIG. 7 is a bottom plan view thereof; FIG. 8 is a reference front elevational view thereof, showing an example of a used state; and, FIG. 9 is a reference perspective view thereof, with a wristband attached.

The broken line showing of the used state in FIG. 8 and the wristband in FIG. 9 form no part of the claimed design.

1 Claim, 8 Drawing Sheets



(56)

References Cited

OTHER PUBLICATIONS

Casio WSD-F10 Android Wear Smartwatch Review, posted Jul. 4, 2016, [retrieved Jan. 8, 2017]. Retrieved from Internet, <URL: <http://www.ablogtowatch.com/casio-wsd-f10-android-wear-smartwatch-review/> >.*

* cited by examiner

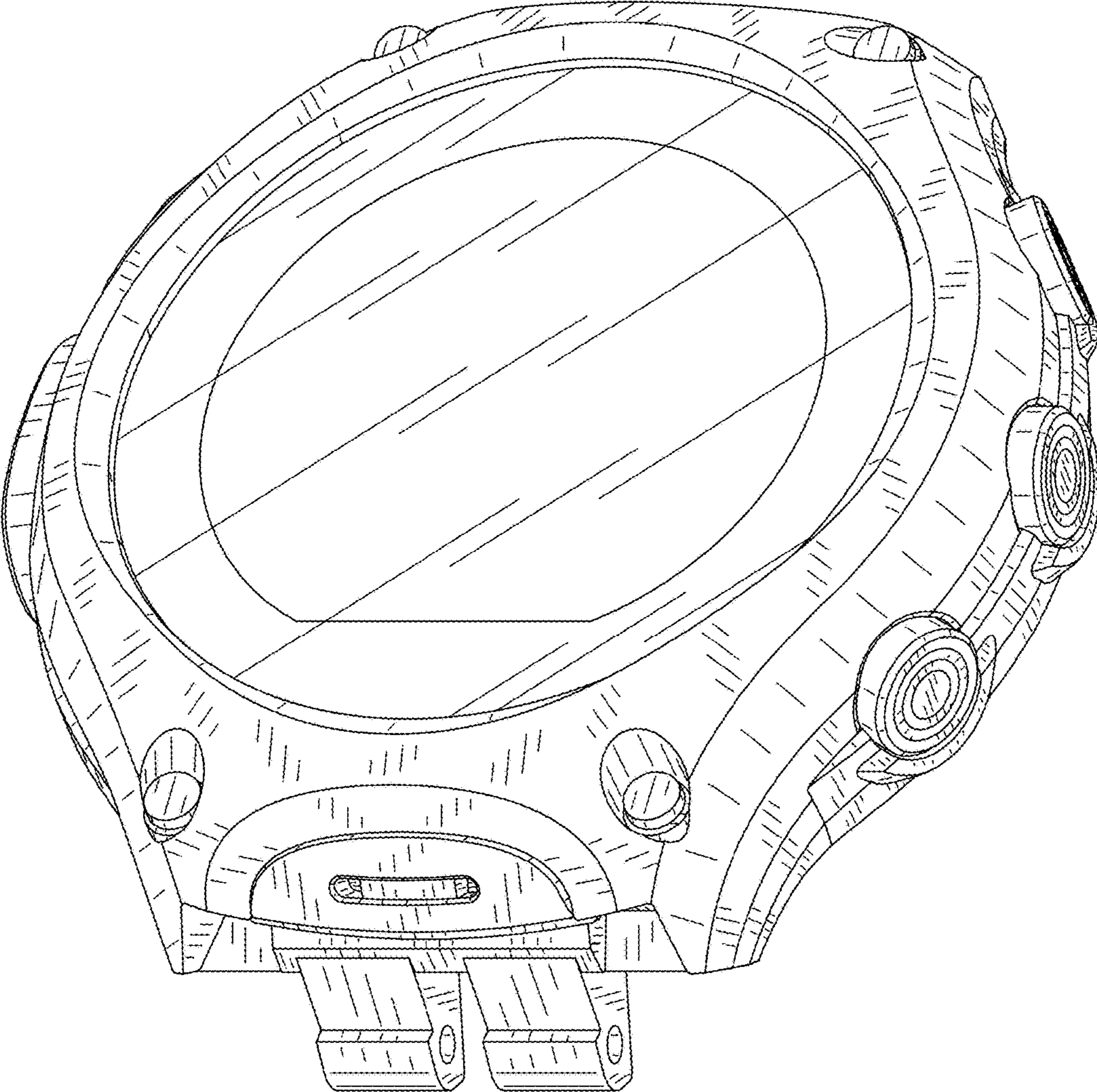


FIG. 1

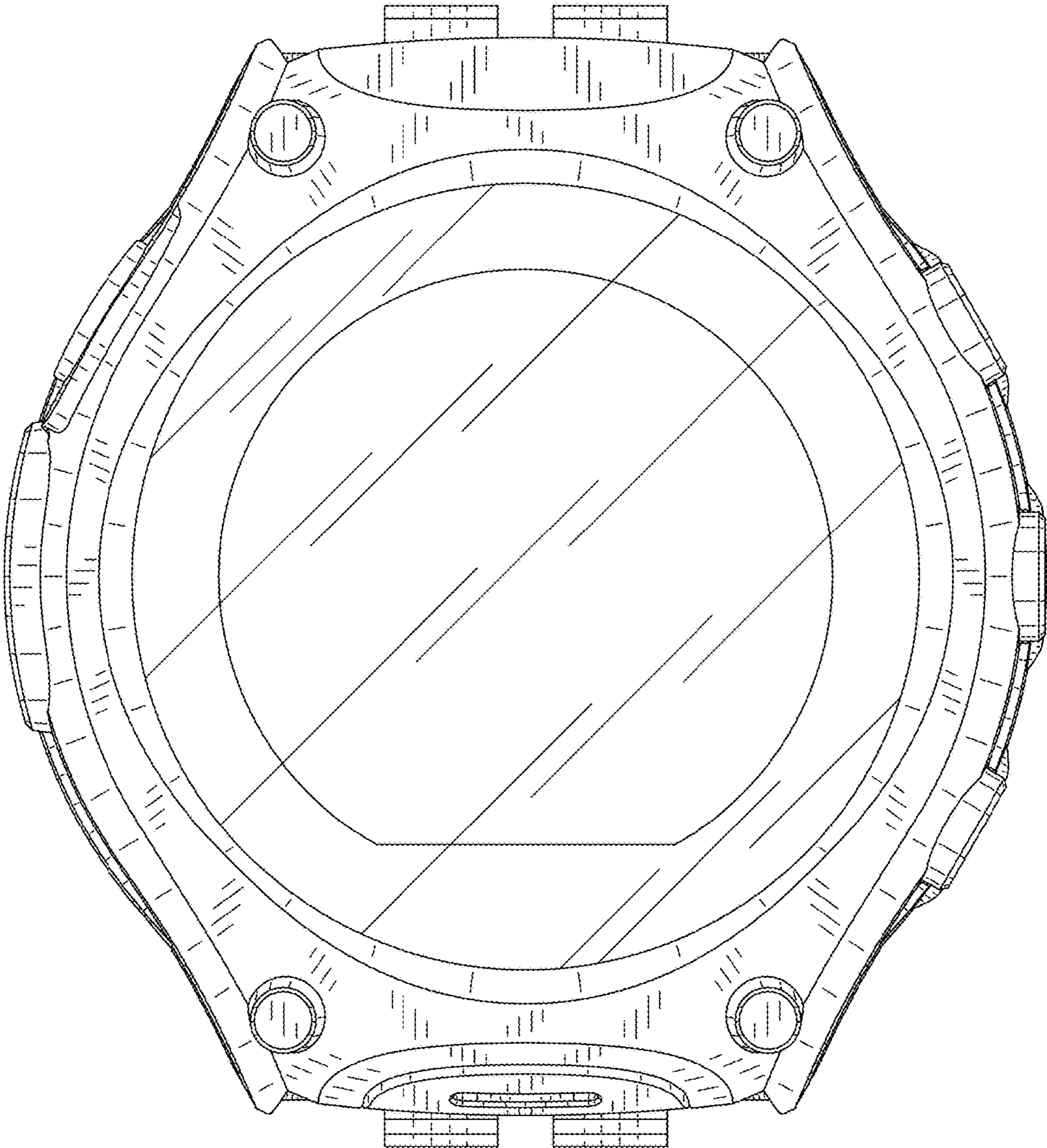


FIG. 2

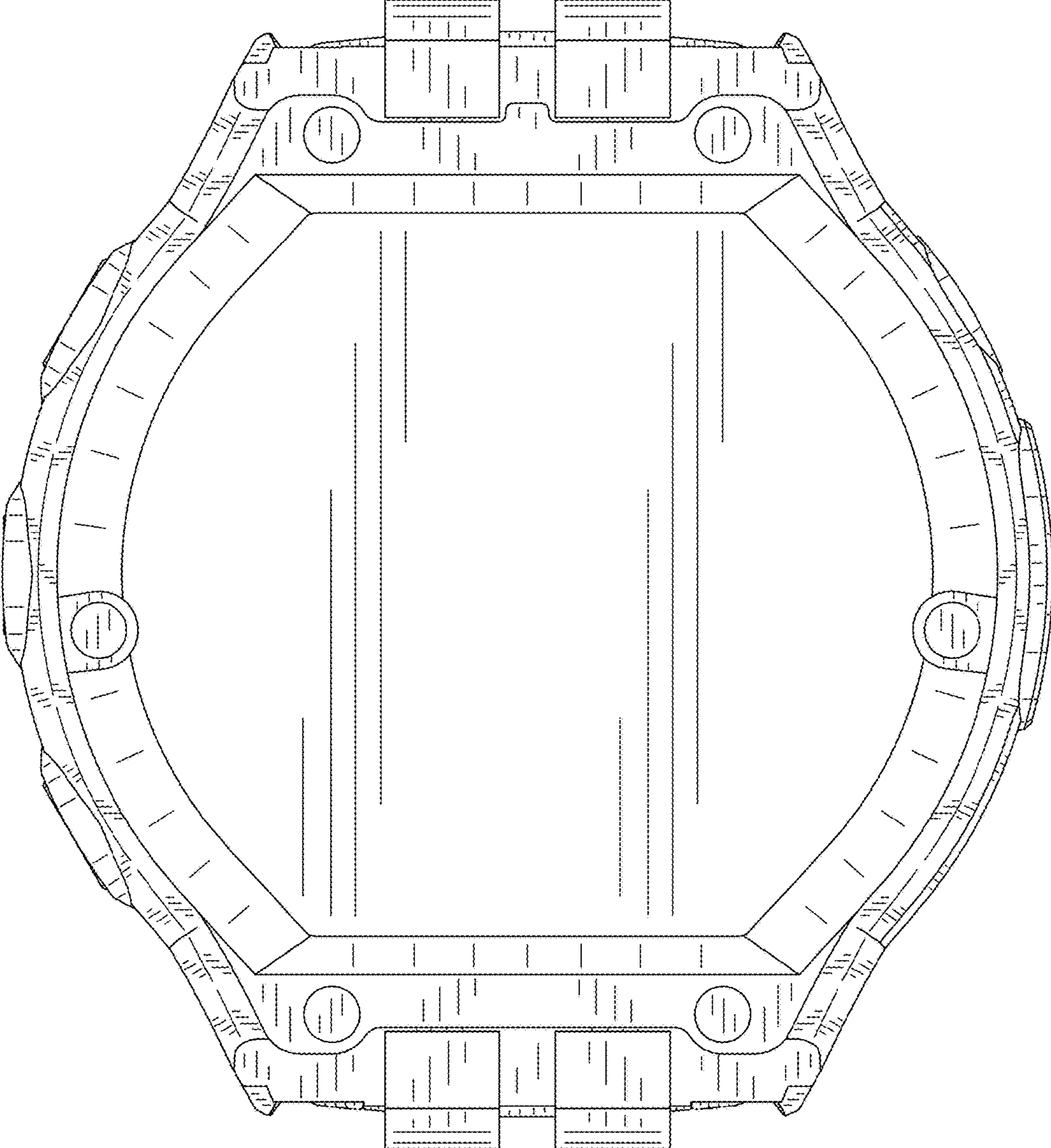


FIG. 3

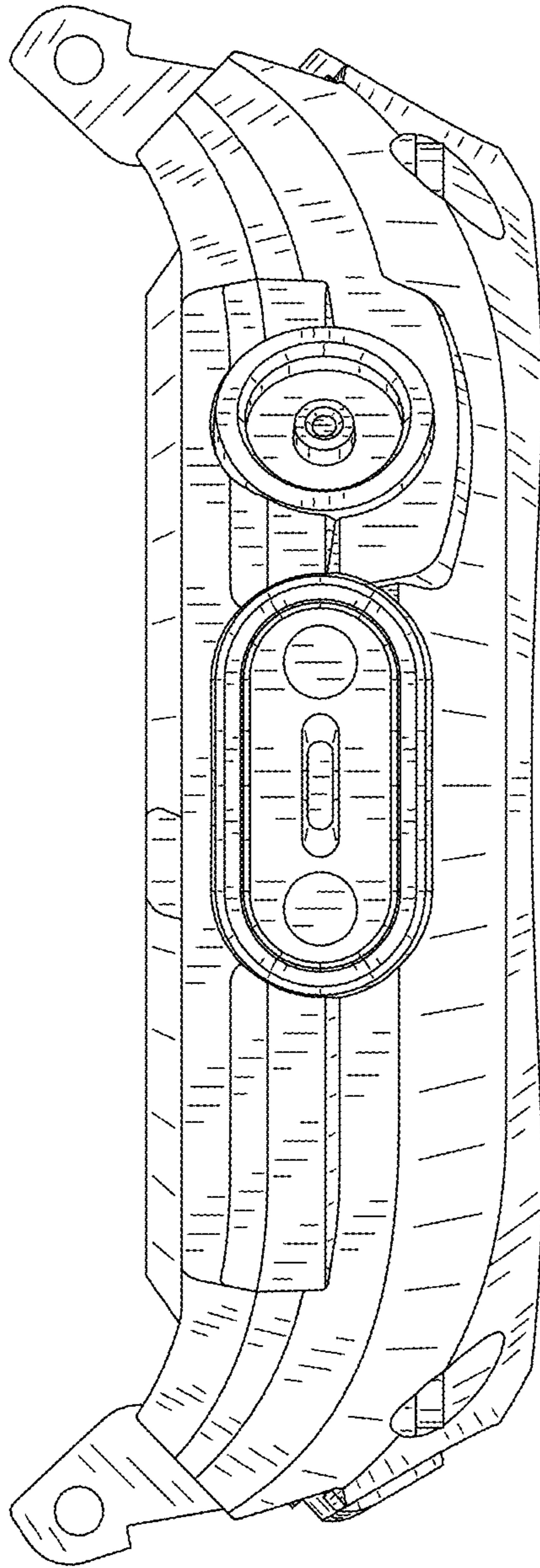


FIG. 4

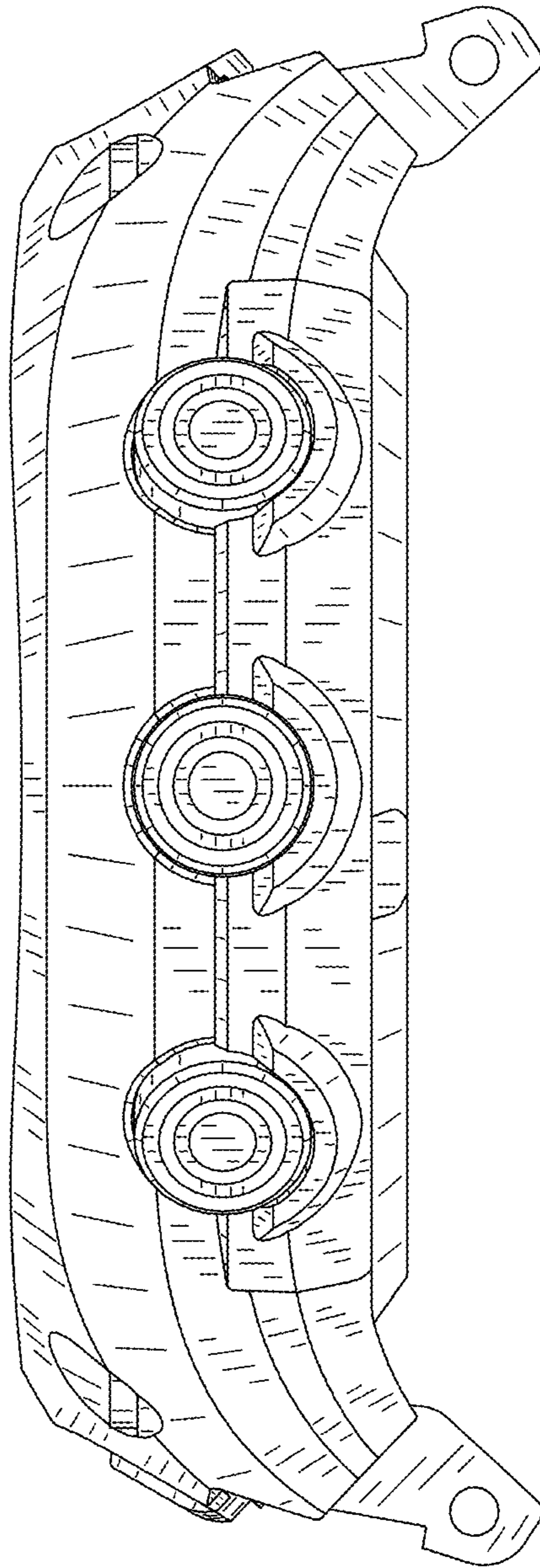


FIG. 5

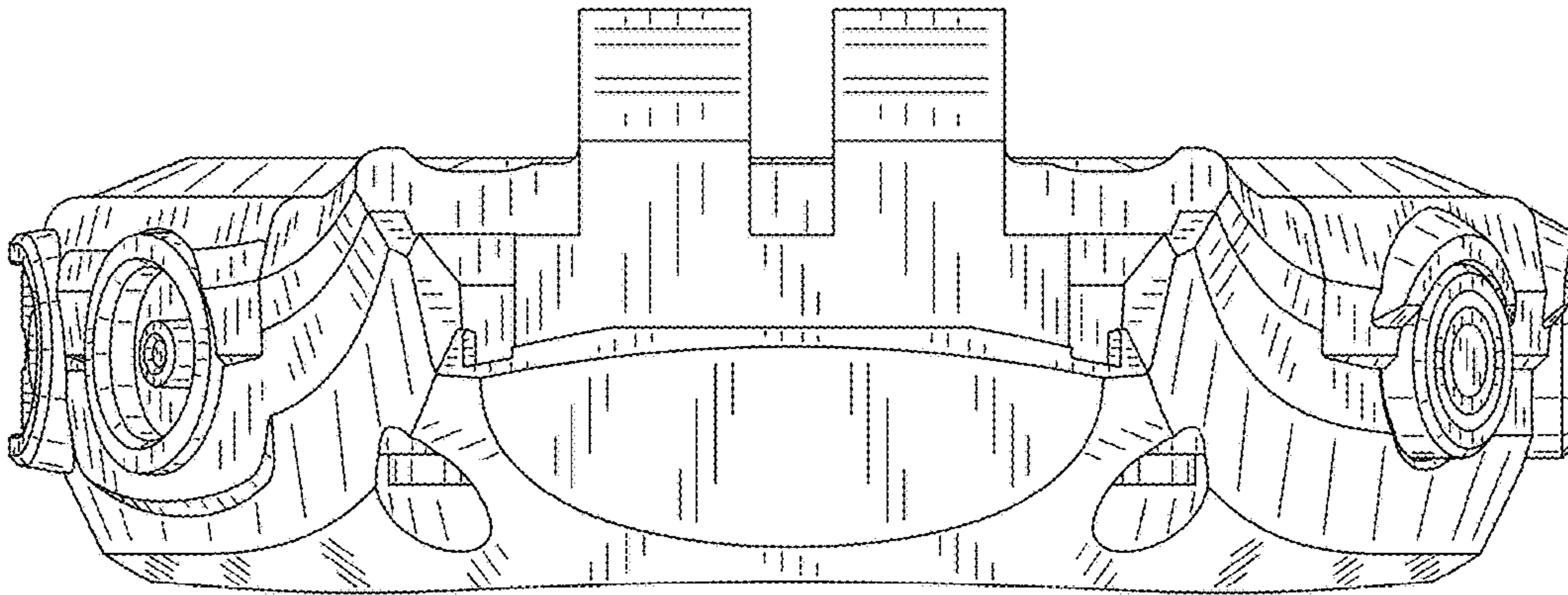


FIG. 6

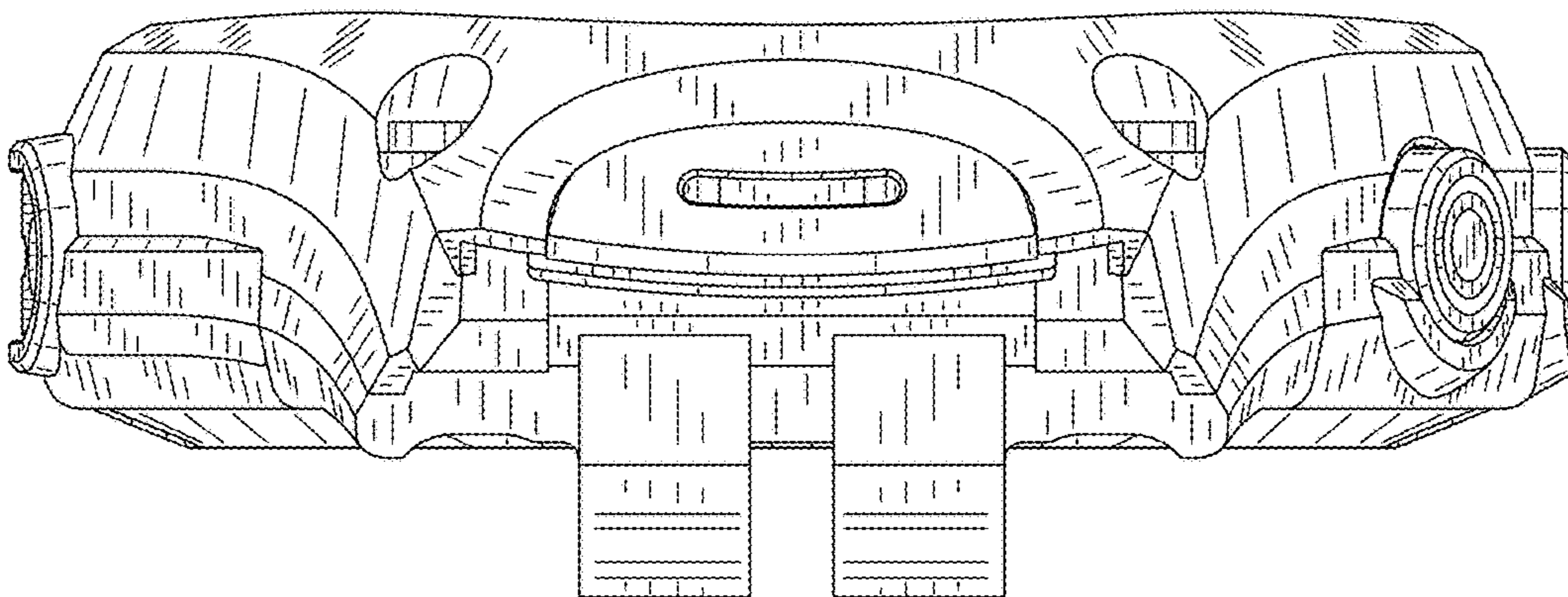


FIG. 7

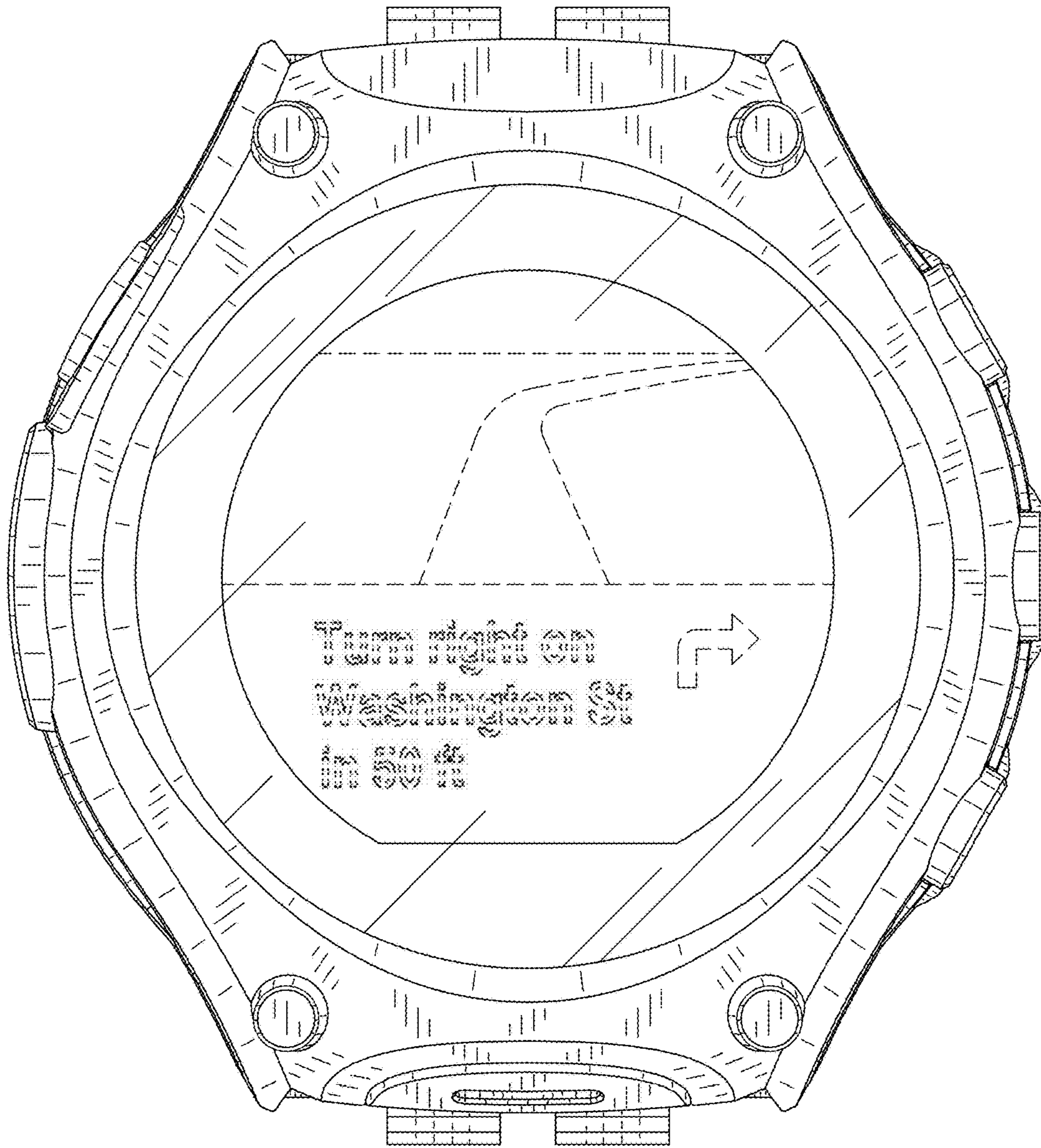


FIG. 8

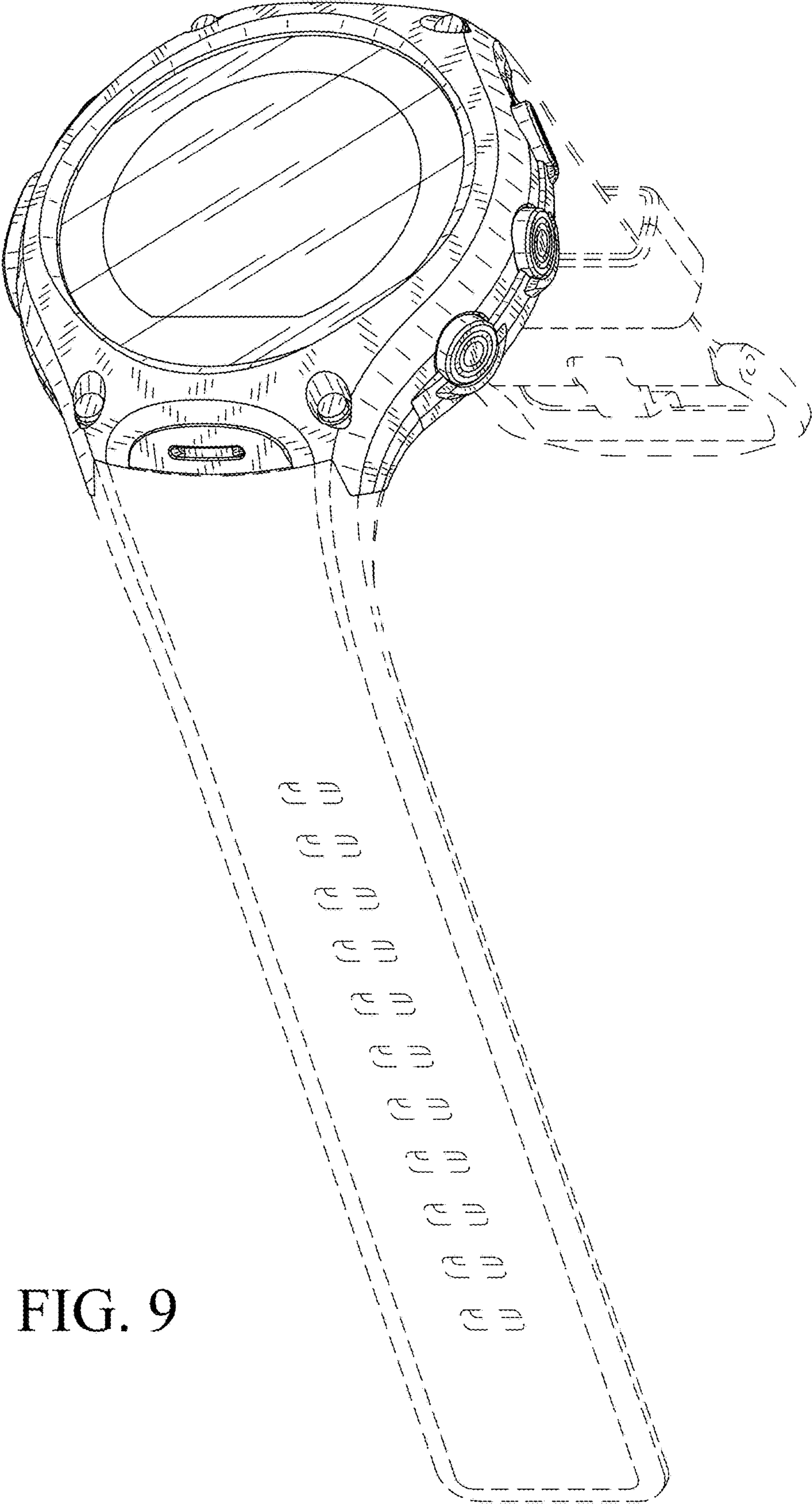


FIG. 9