



(12) **United States Design Patent** (10) **Patent No.:** **US D799,477 S**  
**Lee et al.** (45) **Date of Patent:** **\*\* Oct. 10, 2017**

(54) **WEARABLE DEVICE**

20/10; G06Q 20/108; G06Q 20/12; G06Q 20/145

See application file for complete search history.

(71) Applicant: **LG ELECTRONICS INC.**, Seoul (KR)

(56) **References Cited**

U.S. PATENT DOCUMENTS

(72) Inventors: **Kunwoo Lee**, Seoul (KR); **Sieun Choi**, Seoul (KR)

3,780,526 A \* 12/1973 Maue ..... G04C 17/005 368/223

(73) Assignee: **LG ELECTRONICS INC.**, Seoul (KR)

D480,653 S \* 10/2003 Lo ..... D10/32 (Continued)

(\*\*) Term: **15 Years**

OTHER PUBLICATIONS

(21) Appl. No.: **29/535,186**

Hicon the Social Bling Bangle, posted Sep. 28, 2014, [retrieved May 22, 2017]. Retrieved from Internet, <URL: <http://urbanwearables.technology/hicon-the-social-bling-bangle/>>.\*

(22) Filed: **Aug. 4, 2015**

(Continued)

(30) **Foreign Application Priority Data**

*Primary Examiner* — Karen Kearney

*Assistant Examiner* — Kristin E Reed

Feb. 5, 2015 (KR) ..... 30-2015-0006446

(74) *Attorney, Agent, or Firm* — Birch, Stewart, Kolasch & Birch, LLP

(51) **LOC (10) Cl.** ..... **14-02**

(57) **CLAIM**

(52) **U.S. Cl.**  
USPC ..... **D14/344**

The ornamental design for a wearable device, as shown and described.

(58) **Field of Classification Search**

**DESCRIPTION**

USPC ..... D14/344, 138 R, 144, 358; D24/167, D24/169, 186–187; D11/3, 93–94; D10/30–39, 70, 98; 379/433.1; 361/679.03

FIG. 1 is a perspective view of a wearable device showing our new design;

FIG. 2 is a front view thereof where the rear view is a mirror image;

FIG. 3 is a left side view thereof;

FIG. 4 is a right side view thereof;

FIG. 5 is a top plan view thereof;

FIG. 6 is a bottom plan view thereof;

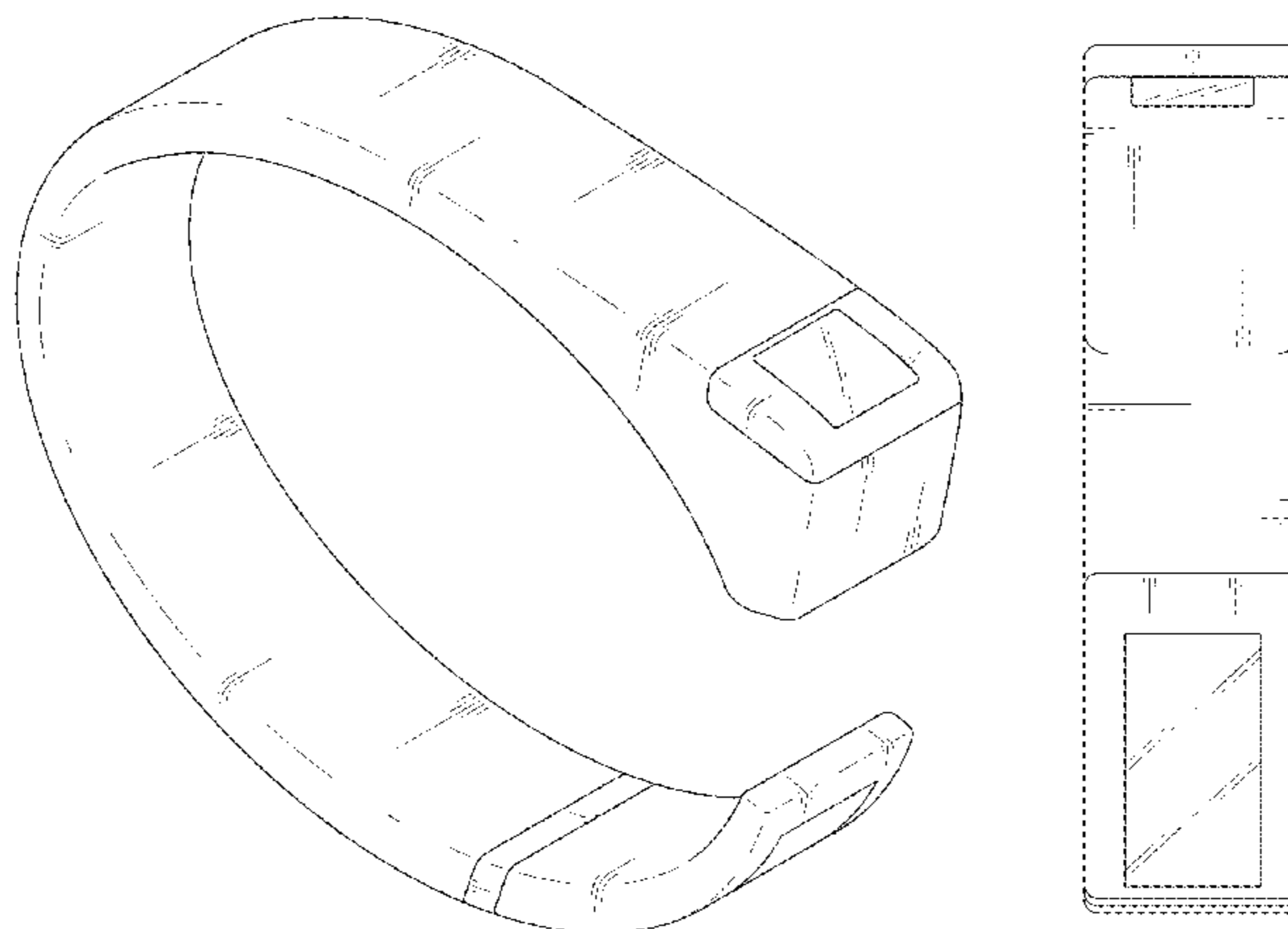
FIG. 7 is a bottom perspective view thereof;

FIG. 8 is a perspective view thereof showing the earset portion of the device in an alternate position; and,

FIG. 9 is another perspective view thereof showing the wearable device worn on the user's wrist.

CPC ..... G06F 1/163; G06F 1/1628; G06F 1/1626; G06F 1/1635; G06F 1/08; G06F 1/10; G06F 1/04; G06F 1/14; G06F 1/3203; A41D 1/002; H04M 1/02; H04M 1/03; H04M 1/04; H04M 1/05; H04M 1/667; H04M 1/6058; Y02B 60/12; H04B 1/385; H04B 1/3888; H04B 1/3833; G06Q

(Continued)



The dot-dash broken lines showing in FIG. 8 and showing of hands and forearm in FIG. 9 depicts the environment of use. The dash-dash broken lines depict portions of the wearable device. The broken lines form no part of the claimed design.

D738,769 S \* 9/2015 Tan ..... D11/3  
 D750,070 S \* 2/2016 Magi ..... D14/344  
 2014/0187233 A1\* 7/2014 Chen ..... H04M 1/0277  
 455/422.1  
 2015/0277489 A1\* 10/2015 Lin ..... G06F 1/163  
 361/679.03

**1 Claim, 8 Drawing Sheets**

OTHER PUBLICATIONS

(56)

**References Cited**

U.S. PATENT DOCUMENTS

6,768,911 B2 \* 7/2004 Hino ..... H04M 1/0202  
 379/433.1  
 D543,192 S \* 5/2007 Jung ..... D10/31  
 D564,367 S \* 3/2008 Molyneux ..... D10/31  
 D567,111 S \* 4/2008 Pardoux ..... D10/31  
 D718,169 S \* 11/2014 Birnbaum ..... D11/3  
 D721,292 S \* 1/2015 Choi ..... D10/70  
 D721,981 S \* 2/2015 Choi ..... D10/70

Wearable Sensors Are the Invisible Keyboards of the Future, posted Jul. 2014, [retrieved May 22, 2017]. Retrieved from Internet, <URL: <http://gajitz.com/wearable-sensors-are-the-invisible-keyboards-of-the-future/> >.\*  
 Y02 Smart Bluetooth 3.0 Watch Bracelet, posted May 14, 2015, [retrieved May 22, 2017]. Retrieved from Internet, <URL: [http://www.gearbest.com/smart-watches/pp\\_134414/review.html?page=4](http://www.gearbest.com/smart-watches/pp_134414/review.html?page=4) >.\*  
 Holo 2.0—The Augmented Reality Wearable Computer, posted Jul. 12, 2013, [retrieved May 22, 2017]. Retrieved from Internet, <URL: <http://crunchwear.com/holo-2-0/> >.\*

\* cited by examiner

FIG. 1

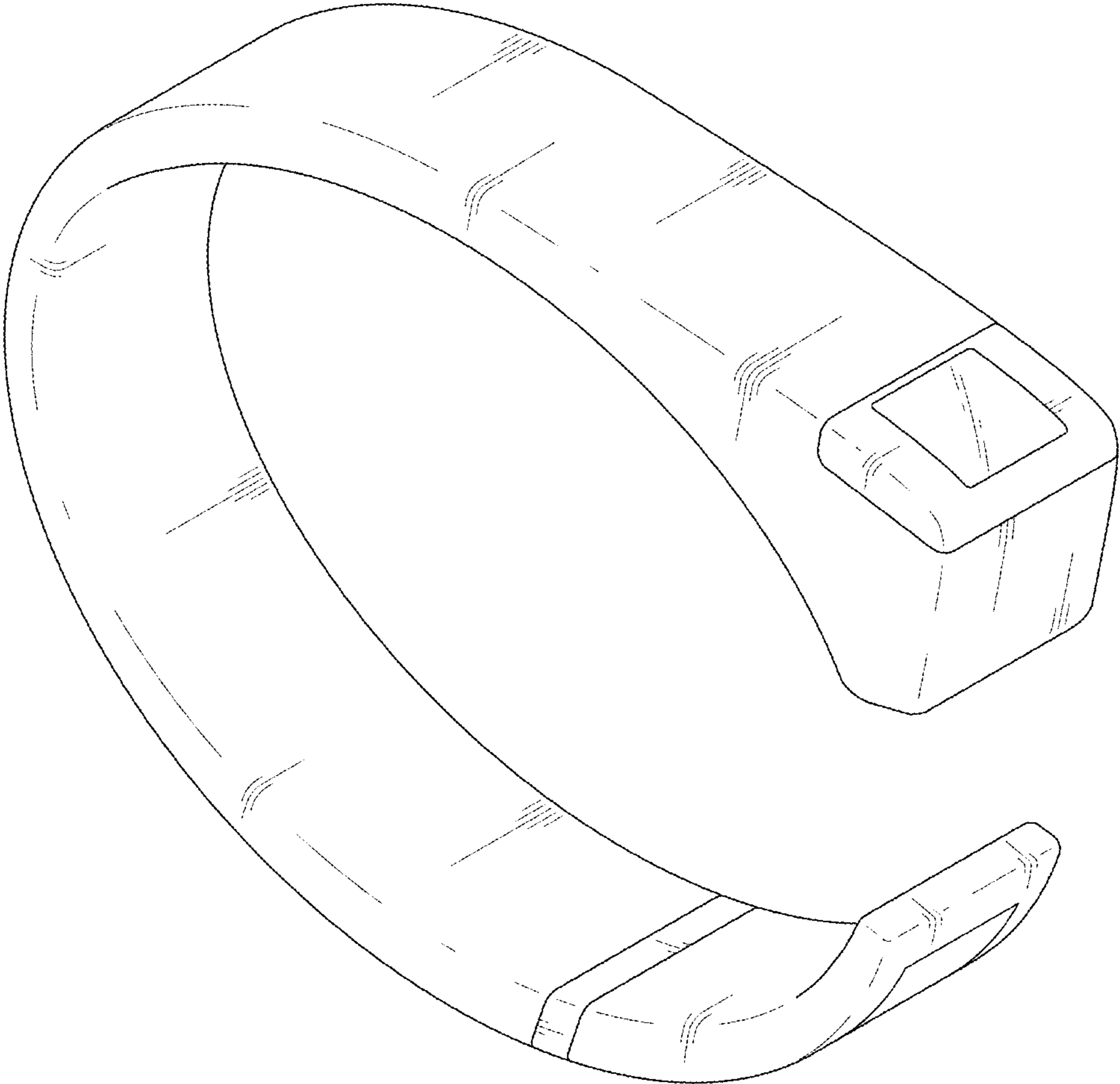


FIG. 2

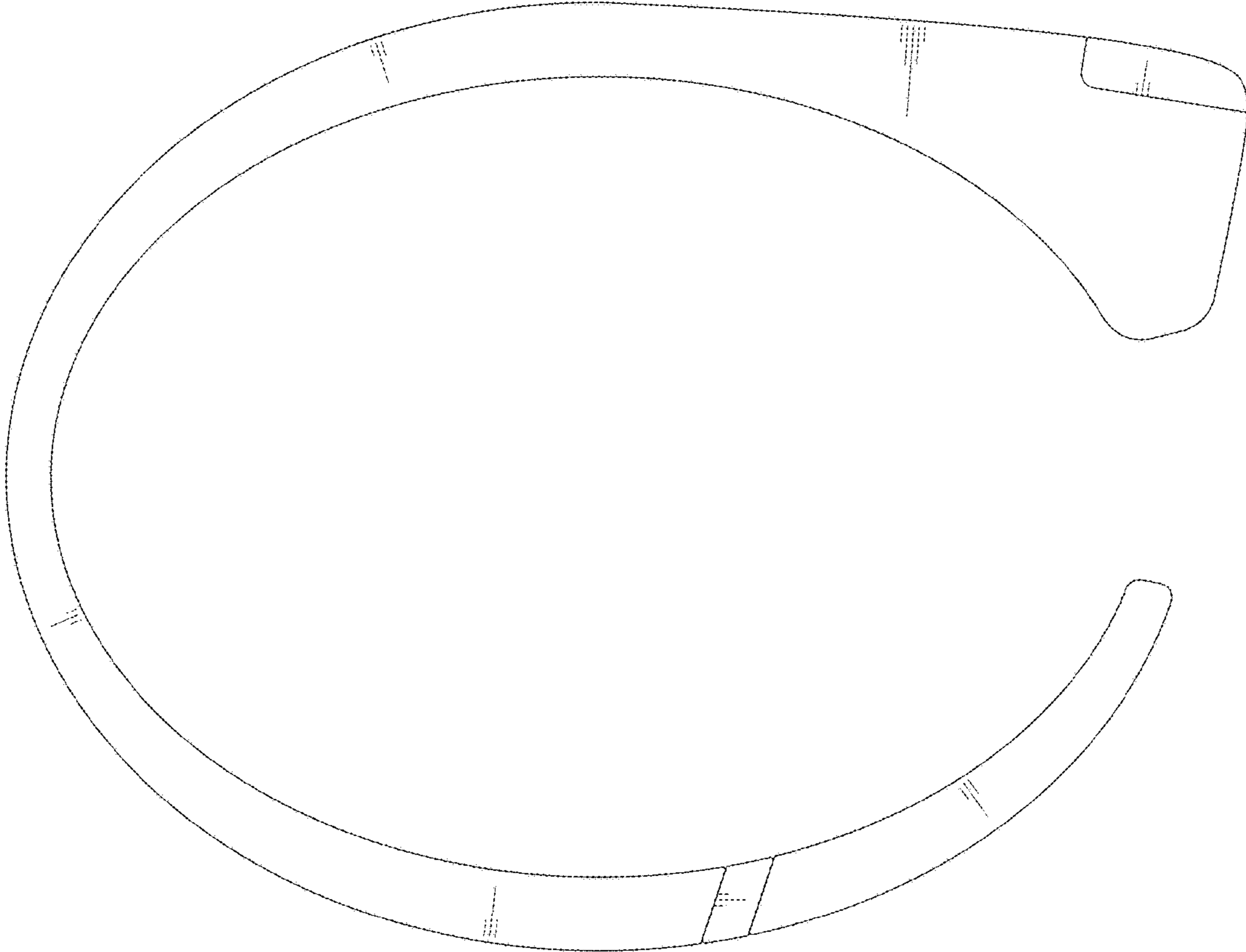


FIG. 3

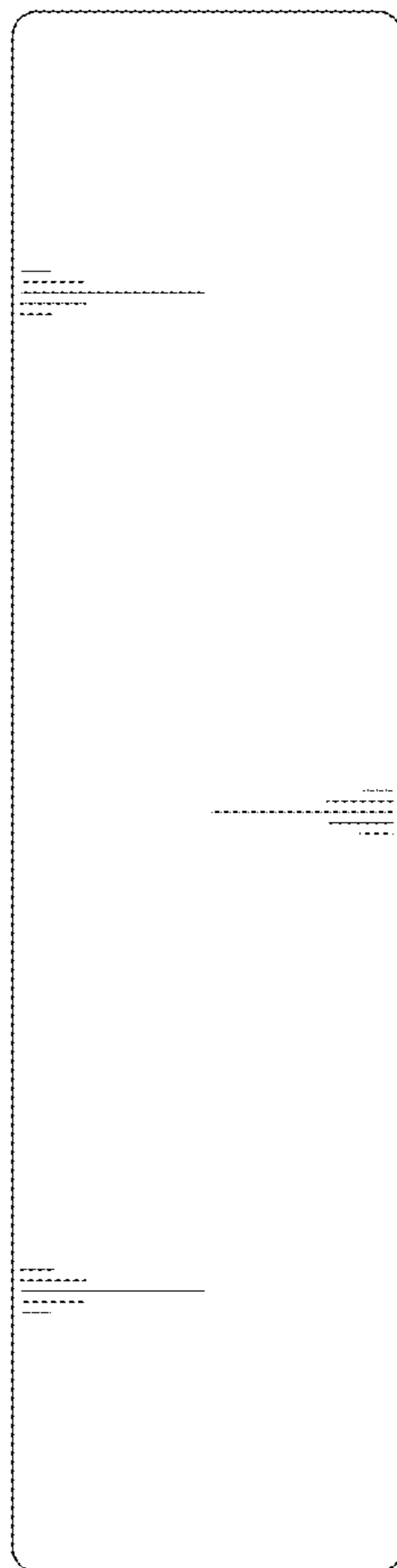


FIG. 4

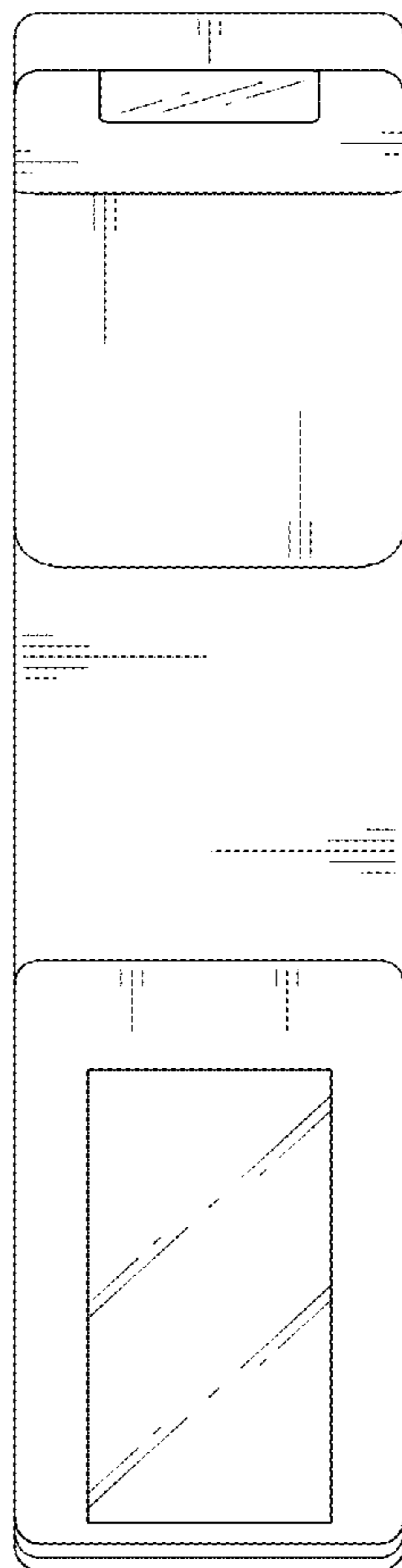


FIG. 5

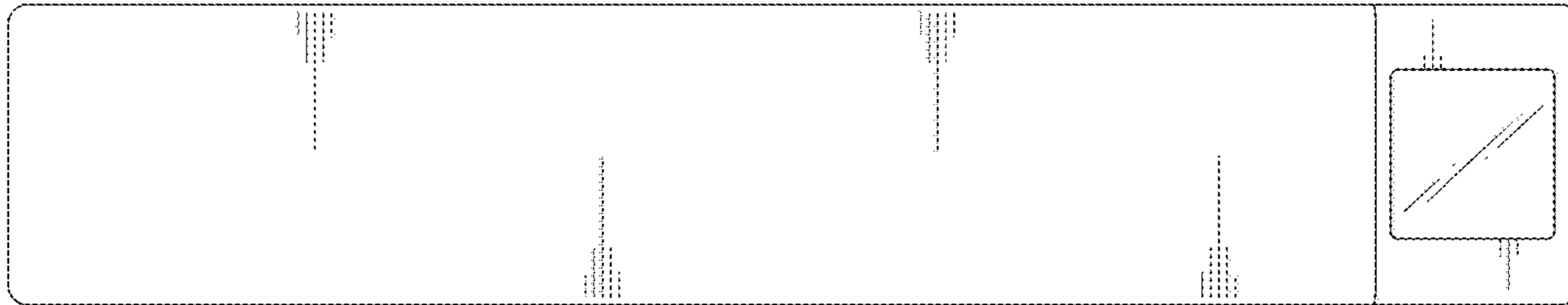


FIG. 6

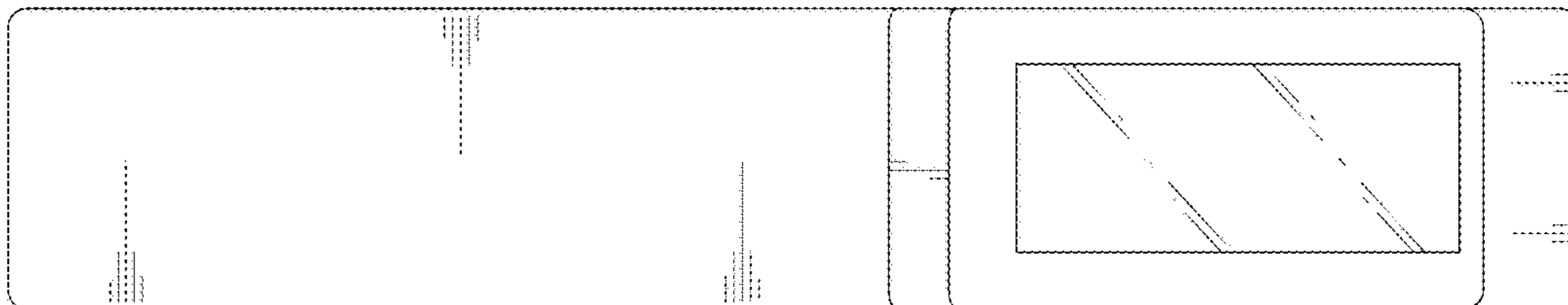


FIG. 7

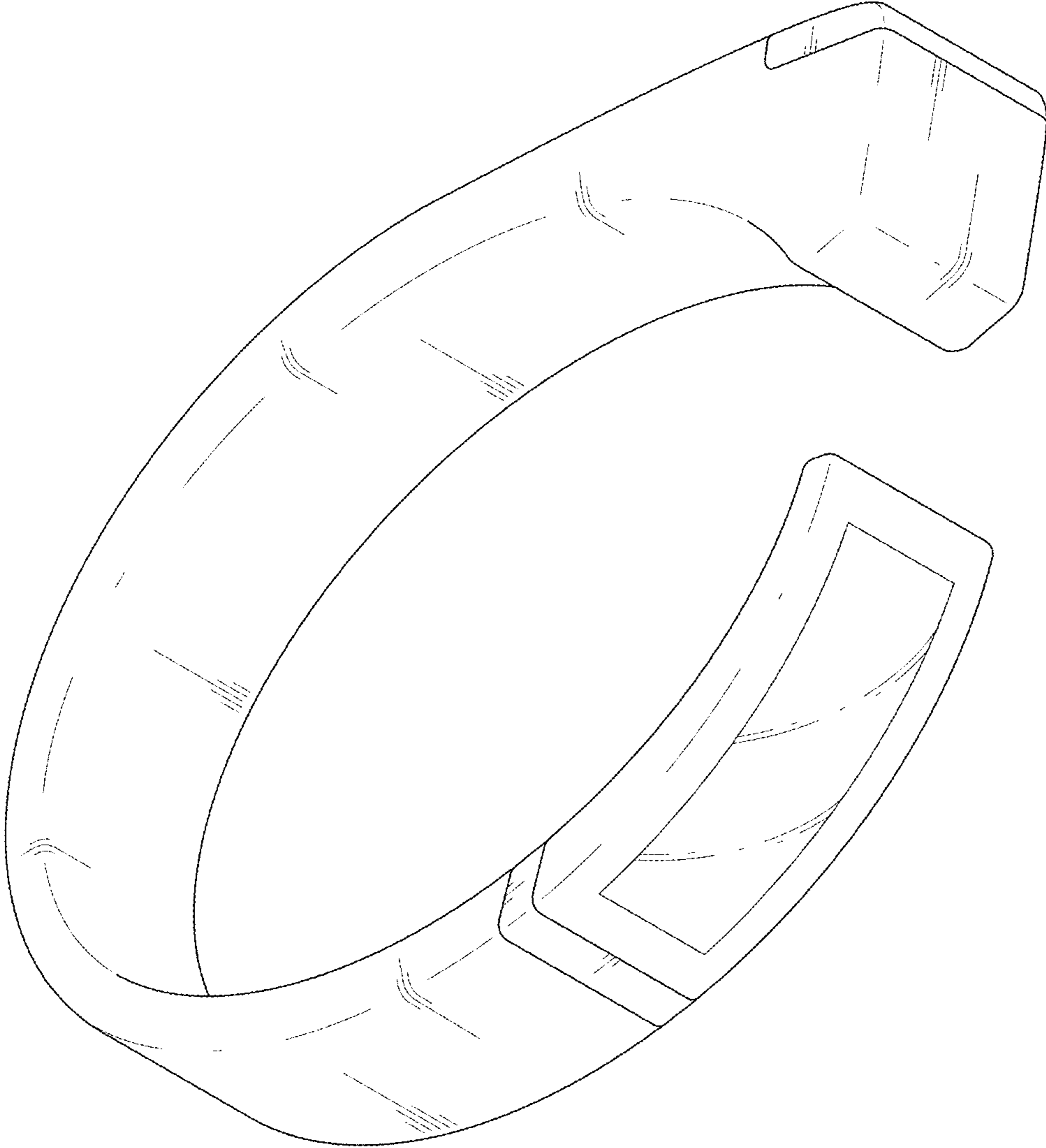




FIG. 8

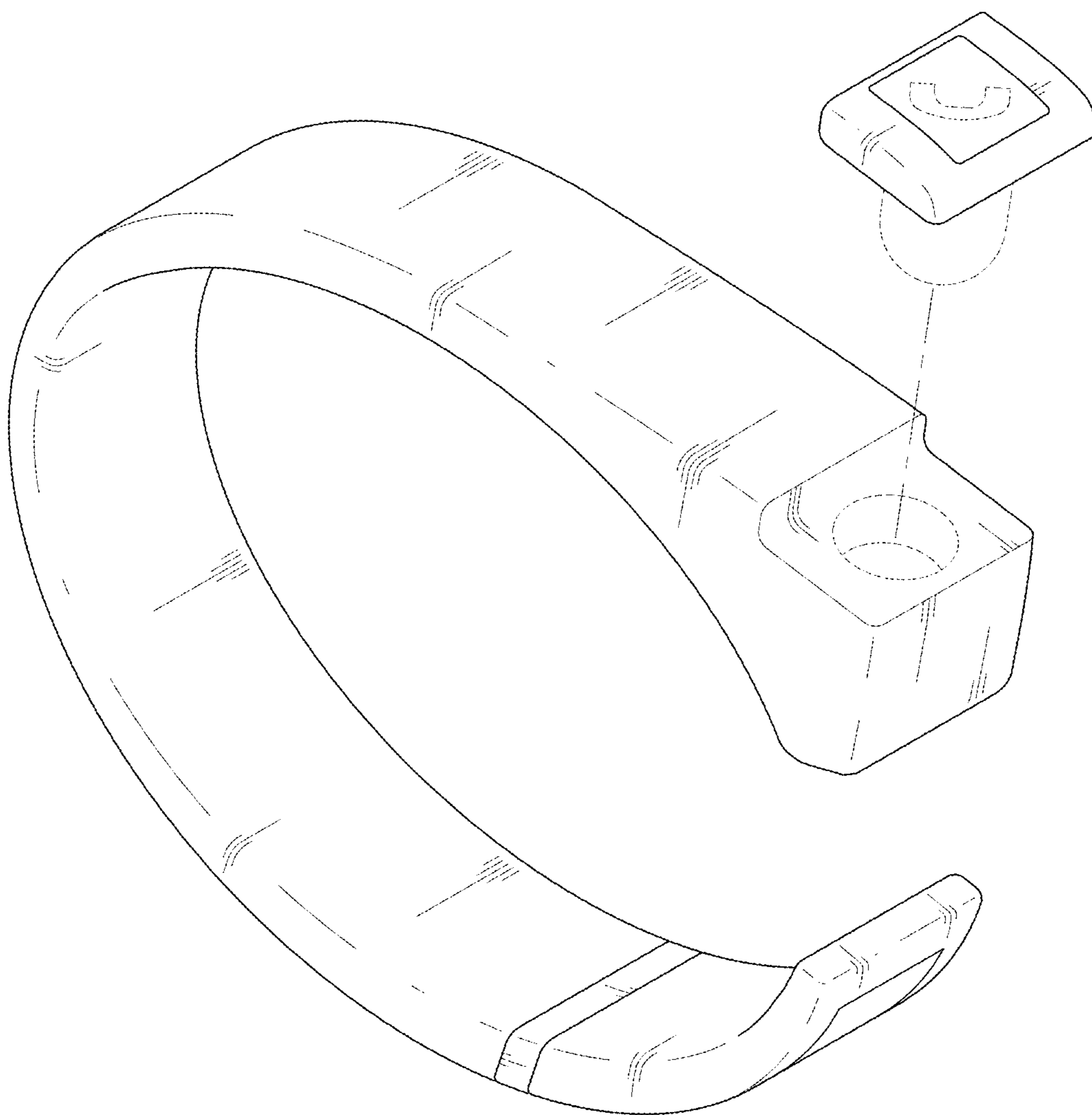


FIG. 9

